

Наставен план: Наставен план за 1 година -Електротехничар за компјутерска техника и автоматика - македонски

1. Англиски (Прв странски јазик) - Општо образование

Прашање

A person who mends your car is:

The word "invention" means or is closest to its meaning to:

A passenger is a person who:

Complete the sentence! "Although the weather was foggy our plane_____."

Finish the sentence: "I am sure that the cook will tell you the _____."

Someone whose job is managing is a _____.

Finish the sentence: "My parents go to _____ every day."

Complete the sentence: "He spends his free time reading alone in the city _____."

Complete the sentence: "She wore gold _____."

1. Англиски (Прв странски јазик) - Општо образование

Прашање

Complete the sentence: "He can't see without his _____."

The person who checks your ticket on a train is a ticket:

Busy people are people:

A surgeon is a person who performs:

People who love reading actually love:

What would be the answer to the question: "How much does it cost?"

Finish the sentence with the correct word: "Electricity is a great _____."

Which noun is in plural?

Finish the sentence. "He decided _____ for a few minutes."

1. Англиски (Прв странски јазик) - Општо образование

Прашање

What is the short answer to the question: "Does your father work as a policeman?"

Which sentence is a kind request?

Which is the correct sentence in the Present Simple Tense?

Finish the sentence: "Look at those dark clouds, _____."

Which sentence expresses comparison?

Complete the sentence: "I'd like _____ a new car for my son."

Complete the sentence: "The _____ fit her nicely."

"There is not much coffee left." The expression "not much" can be replaced by:

1. Англиски (Прв странски јазик) - Општо образование

Прашање

Complete the sentence: "She is in the _____. She is taking a shower."

**Complete the sentence: Man: "She flew to Belgrade from Skopje."
Woman: "Oh, I didn't know she took a _____."**

Finish the sentence: "In the last race we came _____."

Finish the sentence: "When Tony finished school, he celebrated his _____."

Finish the sentence: "We have decided _____ school."

Give your friend advice:

When you are able to swim, you say:

When you ask: "How much cheese do you need?", you ask about:

When you make an apology, you say:

1. Англиски (Прв странски јазик) - Општо образование

Прашање

When you meet someone for the first time, you say:

When you like doing something, you say:

**Complete the sentence: "If I had enough money,
_____."**

When you see a car coming, you say to your friend:

Which is a correct reported sentence?

Complete the sentence: "_____ people took part in the voting."

Complete the sentence : "Tomorrow's a holiday, _____."

Finish the sentence: "Jane is tall and _____."

1. Англиски (Прв странски јазик) - Општо образование

Прашање

Complete the sentence: "John says _____ to give up smoking."

"My friend said he _____ to our next meeting."

What is the right response to: "I've lost my phone. Can you help me _____ it?"

Complete the sentence: "If he has money, _____."

What's the right response to "How's that new coffee bar they opened last week?"

When somebody asks you: "What are you looking for?", you respond by saying:

If you hear: "It could be John." You respond with:

1. Англиски (Прв странски јазик) - Општо образование

Прашање

If you want to know where the hotel is. you ask:

When you are late to class, you say:

The question :“What’s up?” means the same as:

What would be the answer to the question: “What does she like?”

Your friend says that he is going to America. You are surprised and excited, and you say:

When asking to speak to Mr Jones on the phone you say:

1. Англиски (Прв странски јазик) - Општо образование

Прашање

Which question form is accurate?

Complete the sentence: "You know the Smiths, _____?"

**Complete the sentence used at the end of letters: "I
_____ from you soon."**

How do we ask somebody about the time they get up?

What is the right response to: What is Paris like?

1. Англиски (Прв странски јазик) - Општо образование

Прашање

What is the right response to the statement: "I've been trying to find a good restaurant."

How do we ask about time?

What is the right response to the question: "How's your new doctor?"

If someone says: "I heard Jennifer's quitting." The right response would be:

The person who checks your ticket on a train is a ticket:

Complete the sentence: "She likes _____."

If you want to know where the bank is. You ask:

1. Англиски (Прв странски јазик) - Општо образование

Прашање

When you say "I have to work every day", you express:

"Would you like to go to the cinema?" This means that somebody:

"All the students were present at the concert yesterday." This sentence is giving:

The expression "Look out!" means the same as:

What would be the answer to the question: "What does she look like?"

When you give a permission, you say:

When you ask: "How much butter do you need?", you ask about:

When you apologize, you say:

1. Англиски (Прв странски јазик) - Општо образование

Прашање

How would you give advise to your friend?

When you are able to do something, you say:

When you ask: "How much cheese do you need?", you ask about:

When you make an apology, you say:

When you meet someone for the first time, you say:

When you like doing something, you say:

**Complete the sentence: "If I had enough money,
_____."**

1. Англиски (Прв странски јазик) - Општо образование

Прашање

When you see a vehicle coming, you say to your friend:

Which is the reported sentence?

Complete the sentence: "_____ people took part in the voting."

Complete the sentence : "Tomorrow's a holiday, _____."

Finish the sentence: "Jane is tall and _____."

Complete the sentence: "John says _____ to visit Mexico next year."

1. Англиски (Прв странски јазик) - Општо образование

Прашање

"My friend said he _____ to our next meeting."

What is the right response to: "I've lost my phone. Can you help me _____ it?"

Complete the sentence: "If he has money, _____."

What's the right response to "How's that new disco they opened last week?"

When somebody asks you: "What are you searching for?", you respond by saying:

If you hear: "It might be John." You respond with:

1. Англиски (Прв странски јазик) - Општо образование

Прашање

How do you ask for directions to the hotel?

When you are late for a date, you say:

The question :“What’s happening?” means the same as:

What would be the answer to the question: “What does your sister like?”

Your friend says that he is going to university to Australia. You are surprised and excited, and you say:

1. Англиски (Прв странски јазик) - Општо образование

Прашање

When asking to speak to the manager on the phone you say:

Which question has the correct word order?

Complete the sentence: "You know Mr Brown, the new chemistry teacher, _____?"

1. Англиски (Прв странски јазик) - Општо образование

Прашање

Complete the sentence: "I _____ from you soon."

Which question form is correct in the Present Simple Tense?

What is the right response to: "What is New York like?"

What is the right response to the statement: "I've been trying to find a good pizza hut."

1. Англиски (Прв странски јазик) - Општо образование

Прашање

What is the right way to ask about the time?

What is the right response to the question: "How's your new dentist?"

If someone says: "I heard Anna stopped working." You are surprised and you say:

1. Англиски (Прв странски јазик) - Општо образование

Прашање

What do you say when you want to show your home to someone?

Which sentence has a correct comparative form?

A person who blows the whistle at the end of the match is:

The word "discovery" means or is closest to the meaning of:

The word "coach" is the same as:

Complete the sentence! "The plane _____ ten minutes later."

1. Англиски (Прв странски јазик) - Општо образование

Прашање

GB stands for:

Complete the sentence: "He spends his free time playing tennis on the _____."

About 100 years ago or so there was a twenty-year-old woman called Mary. One day she had a terrible accident and her face was scratched so badly that she bled to death. But her spirit could not rest. Bloody Mary roams the world as an evil ghost. If you stand in front of your home mirror in the dark and say her name three times, you will see her horrible face appear.

How old was Mary?

1. Англиски (Прв странски јазик) - Општо образование

Прашање

About 100 years ago or so there was a twenty-year-old woman called Mary. One day she had a terrible accident and her face was scratched so badly that she bled to death. But her spirit could not rest. Bloody Mary roams the world as an evil ghost. If you stand in front of your home mirror in the dark and say her name three times, you will see her horrible face appear.

What did she have?

About 100 years ago or so there was a twenty-year-old woman called Mary. One day she had a terrible accident and her face was scratched so badly that she bled to death. But her spirit could not rest. Bloody Mary roams the world as an evil ghost. If you stand in front of your home mirror in the dark and say her name three times, you will see her horrible face appear.

What will you see if you stand in front of your mirror and say Mary's name three times?

1. Англиски (Прв странски јазик) - Општо образование

Прашање

About 100 years ago or so there was a twenty-year-old woman called Mary. One day she had a terrible accident and her face was scratched so badly that she bled to death. But her spirit could not rest. Bloody Mary roams the world as an evil ghost. If you stand in front of your home mirror in the dark and say her name three times, you will see her horrible face appear.

What did Mary scratch during the accident?

About 100 years ago or so there was a twenty-year-old woman called Mary. One day she had a terrible accident and her face was scratched so badly that she bled to death. But her spirit could not rest. Bloody Mary roams the world as an evil ghost. If you stand in front of your home mirror in the dark and say her name three times, you will see her horrible face appear.

How did Mary die?

1. Англиски (Прв странски јазик) - Општо образование

Прашање

About 100 years ago or so there was a twenty-year-old woman called Mary. One day she had a terrible accident and her face was scratched so badly that she bled to death. But her spirit could not rest. Bloody Mary roams the world as an evil ghost. If you stand in front of your home mirror in the dark and say her name three times, you will see her horrible face appear.

What did not rest after the accident?

1. Англиски (Прв странски јазик) - Општо образование

Прашање

The Atacama desert in Chile is a spectacular place. There is very little vegetation, and it looks like the moon – in fact NASA tested their lunar vehicles here. There are some very big volcanoes. Almost nobody lives there but there are some small villages on the edge on the desert. Life is hard and everything needs to be imported – food, building materials, and of course water.

In 1971 it rained in the Atacama. People were amazed because the last time it rained there was 400 years earlier, in 1570! It is the driest place in the world. But in the village of Chungungo they are now getting water from the fog clouds which come in from the sea. Daisy Sasmaya, a villager says, “We are very happy because now we can have a shower every day, and we can water our plants every week.”

What did people in Chungungo have?

1. Англиски (Прв странски јазик) - Општо образование

Прашање

The Atacama desert in Chile is a spectacular place. There is very little vegetation, and it looks like the moon – in fact NASA tested their lunar vehicles here. There are some very big volcanoes. Almost nobody lives there but there are some small villages on the edge on the desert. Life is hard and everything needs to be imported – food, building materials, and of course water.

In 1971 it rained in the Atacama. People were amazed because the last time it rained there was 400 years earlier, in 1570! It is the driest place in the world. But in the village of Chungungo they are now getting water from the fog clouds which come in from the sea. Daisy Sasmaya, a villager says, “We are very happy because now we can have a shower every day, and we can water our plants every week.”

Where is the Atacama desert?

1. Англиски (Прв странски јазик) - Општо образование

Прашање

The Atacama desert in Chile is a spectacular place. There is very little vegetation, and it looks like the moon – in fact NASA tested their lunar vehicles here. There are some very big volcanoes. Almost nobody lives there but there are some small villages on the edge on the desert. Life is hard and everything needs to be imported – food, building materials, and of course water.

In 1971 it rained in the Atacama. People were amazed because the last time it rained there was 400 years earlier, in 1570! It is the driest place in the world. But in the village of Chungungo they are now getting water from the fog clouds which come in from the sea. Daisy Sasmaya, a villager says, “We are very happy because now we can have a shower every day, and we can water our plants every week.”

When did it last rain in the Atacama desert?

1. Англиски (Прв странски јазик) - Општо образование

Прашање

The Atacama desert in Chile is a spectacular place. There is very little vegetation, and it looks like the moon – in fact NASA tested their lunar vehicles here. There are some very big volcanoes. Almost nobody lives there but there are some small villages on the edge on the desert. Life is hard and everything needs to be imported – food, building materials, and of course water.

In 1971 it rained in the Atacama. People were amazed because the last time it rained there was 400 years earlier, in 1570! It is the driest place in the world. But in the village of Chungungo they are now getting water from the fog clouds which come in from the sea. Daisy Sasmaya, a villager says, “We are very happy because now we can have a shower every day, and we can water our plants every week.”

Who tested the lunar vehicles?

1. Англиски (Прв странски јазик) - Општо образование

Прашање

The Atacama desert in Chile is a spectacular place. There is very little vegetation, and it looks like the moon – in fact NASA tested their lunar vehicles here. There are some very big volcanoes. Almost nobody lives there but there are some small villages on the edge on the desert. Life is hard and everything needs to be imported – food, building materials, and of course water.

In 1971 it rained in the Atacama. People were amazed because the last time it rained there was 400 years earlier, in 1570! It is the driest place in the world. But in the village of Chungungo they are now getting water from the fog clouds which come in from the sea. Daisy Sasmaya, a villager says, “We are very happy because now we can have a shower every day, and we can water our plants every week.”

What is there in the Atacama desert?

1. Англиски (Прв странски јазик) - Општо образование

Прашање

The Atacama desert in Chile is a spectacular place. There is very little vegetation, and it looks like the moon – in fact NASA tested their lunar vehicles here. There are some very big volcanoes. Almost nobody lives there but there are some small villages on the edge on the desert. Life is hard and everything needs to be imported – food, building materials, and of course water.

In 1971 it rained in the Atacama. People were amazed because the last time it rained there was 400 years earlier, in 1570! It is the driest place in the world. But in the village of Chungungo they are now getting water from the fog clouds which come in from the sea. Daisy Sasmaya, a villager says, “We are very happy because now we can have a shower every day, and we can water our plants every week.”

Where do people get water from the fog clouds ?

1. Англиски (Прв странски јазик) - Општо образование

Прашање

The Atacama desert in Chile is a spectacular place. There is very little vegetation, and it looks like the moon – in fact NASA tested their lunar vehicles here. There are some very big volcanoes. Almost nobody lives there but there are some small villages on the edge on the desert. Life is hard and everything needs to be imported – food, building materials, and of course water.

In 1971 it rained in the Atacama. People were amazed because the last time it rained there was 400 years earlier, in 1570! It is the driest place in the world. But in the village of Chungungo they are now getting water from the fog clouds which come in from the sea. Daisy Sasmaya, a villager says, “We are very happy because now we can have a shower every day, and we can water our plants every week.”

Which place is spectacular?

1. Англиски (Прв странски јазик) - Општо образование

Прашање

The Atacama desert in Chile is a spectacular place. There is very little vegetation, and it looks like the moon – in fact NASA tested their lunar vehicles here. There are some very big volcanoes. Almost nobody lives there but there are some small villages on the edge on the desert. Life is hard and everything needs to be imported – food, building materials, and of course water.

In 1971 it rained in the Atacama. People were amazed because the last time it rained there was 400 years earlier, in 1570! It is the driest place in the world. But in the village of Chungungo they are now getting water from the fog clouds which come in from the sea. Daisy Sasmaya, a villager says, “We are very happy because now we can have a shower every day, and we can water our plants every week.”

The word “*spectacular*” means:

1. Англиски (Прв странски јазик) - Општо образование

Прашање

The Atacama desert in Chile is a spectacular place. There is very little vegetation, and it looks like the moon – in fact NASA tested their lunar vehicles here. There are some very big volcanoes. Almost nobody lives there but there are some small villages on the edge on the desert. Life is hard and everything needs to be imported – food, building materials, and of course water.

In 1971 it rained in the Atacama. People were amazed because the last time it rained there was 400 years earlier, in 1570! It is the driest place in the world. But in the village of Chungungo they are now getting water from the fog clouds which come in from the sea. Daisy Sasmaya, a villager says, “We are very happy because now we can have a shower every day, and we can water our plants every week.”

The word “*lunar vehicles*” means:

1. Англиски (Прв странски јазик) - Општо образование

Прашање

The Atacama desert in Chile is a spectacular place. There is very little vegetation, and it looks like the moon – in fact NASA tested their lunar vehicles here. There are some very big volcanoes. Almost nobody lives there but there are some small villages on the edge on the desert. Life is hard and everything needs to be imported – food, building materials, and of course water.

In 1971 it rained in the Atacama. People were amazed because the last time it rained there was 400 years earlier, in 1570! It is the driest place in the world. But in the village of Chungungo they are now getting water from the fog clouds which come in from the sea. Daisy Sasmaya, a villager says, “We are very happy because now we can have a shower every day, and we can water our plants every week.”

What is there on the edge on the desert?

1. Англиски (Прв странски јазик) - Општо образование

Прашање

The Atacama desert in Chile is a spectacular place. There is very little vegetation, and it looks like the moon – in fact NASA tested their lunar vehicles here. There are some very big volcanoes. Almost nobody lives there but there are some small villages on the edge on the desert. Life is hard and everything needs to be imported – food, building materials, and of course water.

In 1971 it rained in the Atacama. People were amazed because the last time it rained there was 400 years earlier, in 1570! It is the driest place in the world. But in the village of Chungungo they are now getting water from the fog clouds which come in from the sea. Daisy Sasmaya, a villager says, “We are very happy because now we can have a shower every day, and we can water our plants every week.”

What is life like in the Atacama desert?

1. Англиски (Прв странски јазик) - Општо образование

Прашање

The Atacama desert in Chile is a spectacular place. There is very little vegetation, and it looks like the moon – in fact NASA tested their lunar vehicles here. There are some very big volcanoes. Almost nobody lives there but there are some small villages on the edge on the desert. Life is hard and everything needs to be imported – food, building materials, and of course water.

In 1971 it rained in the Atacama. People were amazed because the last time it rained there was 400 years earlier, in 1570! It is the driest place in the world. But in the village of Chungungo they are now getting water from the fog clouds which come in from the sea. Daisy Sasmaya, a villager says, “We are very happy because now we can have a shower every day, and we can water our plants every week.”

What needs to be imported?

1. Англиски (Прв странски јазик) - Општо образование

Прашање

The Atacama desert in Chile is a spectacular place. There is very little vegetation, and it looks like the moon – in fact NASA tested their lunar vehicles here. There are some very big volcanoes. Almost nobody lives there but there are some small villages on the edge on the desert. Life is hard and everything needs to be imported – food, building materials, and of course water.

In 1971 it rained in the Atacama. People were amazed because the last time it rained there was 400 years earlier, in 1570! It is the driest place in the world. But in the village of Chungungo they are now getting water from the fog clouds which come in from the sea. Daisy Sasmaya, a villager says, “We are very happy because now we can have a shower every day, and we can water our plants every week.”

What is the name of the villager?

1. Англиски (Прв странски јазик) - Општо образование

Прашање

Every year we pick out a beautiful pine tree in late December and set it up in the living room, but we don't decorate it until Christmas Eve. On that day, all my nearby relatives gather together to sing Christmas carols and put lights and ornaments on the tree. We arrange all the beautifully wrapped presents around the tree, and then each person is allowed to open just one. On Christmas morning, we wake up early and open the rest of the gifts. Later, we all share a very big meal, with pies for dessert. My favorite flavor is cherry, but my mother's lemon meringue pie is wonderful too.

The phrase "*pick out*" means:

Every year we pick out a beautiful pine tree in late December and set it up in the living room, but we don't decorate it until Christmas Eve. On that day, all my nearby relatives gather together to sing Christmas carols and put lights and ornaments on the tree. We arrange all the beautifully wrapped presents around the tree, and then each person is allowed to open just one. On Christmas morning, we wake up early and open the rest of the gifts. Later, we all share a very big meal, with pies for dessert. My favorite flavor is cherry, but my mother's lemon meringue pie is wonderful too.

"to *decorate*" means:

1. Англиски (Прв странски јазик) - Општо образование

Прашање

Every year we pick out a beautiful pine tree in late December and set it up in the living room, but we don't decorate it until Christmas Eve. On that day, all my nearby relatives gather together to sing Christmas carols and put lights and ornaments on the tree. We arrange all the beautifully wrapped presents around the tree, and then each person is allowed to open just one. On Christmas morning, we wake up early and open the rest of the gifts. Later, we all share a very big meal, with pies for dessert. My favorite flavor is cherry, but my mother's lemon meringue pie is wonderful too.

Who gathers on Christmas Eve?

Every year we pick out a beautiful pine tree in late December and set it up in the living room, but we don't decorate it until Christmas Eve. On that day, all my nearby relatives gather together to sing Christmas carols and put lights and ornaments on the tree. We arrange all the beautifully wrapped presents around the tree, and then each person is allowed to open just one. On Christmas morning, we wake up early and open the rest of the gifts. Later, we all share a very big meal, with pies for dessert. My favorite flavor is cherry, but my mother's lemon meringue pie is wonderful too.

**What do they put on the tree
?**

1. Англиски (Прв странски јазик) - Општо образование

Прашање

Every year we pick out a beautiful pine tree in late December and set it up in the living room, but we don't decorate it until Christmas Eve. On that day, all my nearby relatives gather together to sing Christmas carols and put lights and ornaments on the tree. We arrange all the beautifully wrapped presents around the tree, and then each person is allowed to open just one. On Christmas morning, we wake up early and open the rest of the gifts. Later, we all share a very big meal, with pies for dessert. My favorite flavor is cherry, but my mother's lemon meringue pie is wonderful too.

What do we arrange around the tree?

Every year we pick out a beautiful pine tree in late December and set it up in the living room, but we don't decorate it until Christmas Eve. On that day, all my nearby relatives gather together to sing Christmas carols and put lights and ornaments on the tree. We arrange all the beautifully wrapped presents around the tree, and then each person is allowed to open just one. On Christmas morning, we wake up early and open the rest of the gifts. Later, we all share a very big meal, with pies for dessert. My favorite flavor is cherry, but my mother's lemon meringue pie is wonderful too.

Who is allowed to open one present?

1. Англиски (Прв странски јазик) - Општо образование

Прашање

Every year we pick out a beautiful pine tree in late December and set it up in the living room, but we don't decorate it until Christmas Eve. On that day, all my nearby relatives gather together to sing Christmas carols and put lights and ornaments on the tree. We arrange all the beautifully wrapped presents around the tree, and then each person is allowed to open just one. On Christmas morning, we wake up early and open the rest of the gifts. Later, we all share a very big meal, with pies for dessert. My favorite flavor is cherry, but my mother's lemon meringue pie is wonderful too.

Complete the sentence: "*Lemon meringue is _____*."

1. Англиски (Прв странски јазик) - Општо образование

Прашање

Every year we pick out a beautiful pine tree in late December and set it up in the living room, but we don't decorate it until Christmas Eve. On that day, all my nearby relatives gather together to sing Christmas carols and put lights and ornaments on the tree. We arrange all the beautifully wrapped presents around the tree, and then each person is allowed to open just one. On Christmas morning, we wake up early and open the rest of the gifts. Later, we all share a very big meal, with pies for dessert. My favorite flavor is cherry, but my mother's lemon meringue pie is wonderful too.

What is the author's favorite flavor?

In different parts of the world, people play different kinds of football. In some countries, people play Rugby Football. In France and Britain, both Rugby and Association Football are played. Rugby Football is played with a different ball. Players can kick the ball with their feet and use their hands to pass the ball to another player.

Where is Rugby Football played?

1. Англиски (Прв странски јазик) - Општо образование

Прашање

In different parts of the world, people play different kinds of football. In some countries, people play Rugby Football. In France and Britain, both Rugby and Association Football are played. Rugby Football is played with a different ball. Players can kick the ball with their feet and use their hands to pass the ball to another player.

What is played in France and Britain?

In different parts of the world, people play different kinds of football. In some countries, people play Rugby Football. In France and Britain, both Rugby and Association Football are played. Rugby Football is played with a different ball. Players can kick the ball with their feet and use their hands to pass the ball to another player.

What is this passage about?

1. Англиски (Прв странски јазик) - Општо образование

Прашање

In different parts of the world, people play different kinds of football. In some countries, people play Rugby Football. In France and Britain, both Rugby and Association Football are played. Rugby Football is played with a different ball. Players can kick the ball with their feet and use their hands to pass the ball to another player.

How is rugby played?

In different parts of the world, people play different kinds of football. In some countries, people play Rugby Football. In France and Britain, both Rugby and Association Football are played. Rugby Football is played with a different ball. Players can kick the ball with their feet and use their hands to pass the ball to another player.

What can players do in rugby?

1. Англиски (Прв странски јазик) - Општо образование

Прашање

There was no swimming in the ancient Olympics, but swimming has always been part of the modern Games, and it is the second biggest Olympic sport. The first 50 metre pool was used in 1924, the first pool inside was used in 1948. Now the pools are always very modern, and the races can be timed to 0.001 seconds.

The USA has always been strong in swimming: it has won more than thirty per cent of all Olympic swimming medals since 1896.

This passage is about:

1. Англиски (Прв странски јазик) - Општо образование

Прашање

There was no swimming in the ancient Olympics, but swimming has always been part of the modern Games, and it is the second biggest Olympic sport. The first 50 metre pool was used in 1924, the first pool inside was used in 1948. Now the pools are always very modern, and the races can be timed to 0.001 seconds.

The USA has always been strong in swimming: it has won more than thirty per cent of all Olympic swimming medals since 1896.

When was the first 50 metre pool used?

1. Англиски (Прв странски јазик) - Општо образование

Прашање

There was no swimming in the ancient Olympics, but swimming has always been part of the modern Games, and it is the second biggest Olympic sport. The first 50 metre pool was used in 1924, the first pool inside was used in 1948. Now the pools are always very modern, and the races can be timed to 0.001 seconds.

The USA has always been strong in swimming: it has won more than thirty per cent of all Olympic swimming medals since 1896.

When was the first inside pool used?

1. Англиски (Прв странски јазик) - Општо образование

Прашање

There was no swimming in the ancient Olympics, but swimming has always been part of the modern Games, and it is the second biggest Olympic sport. The first 50 metre pool was used in 1924, the first pool inside was used in 1948. Now the pools are always very modern, and the races can be timed to 0.001 seconds.

The USA has always been strong in swimming: it has won more than thirty per cent of all Olympic swimming medals since 1896.

The phrase "has been strong" in the text means:

1. Англиски (Прв странски јазик) - Општо образование

Прашање

There was no swimming in the ancient Olympics, but swimming has always been part of the modern Games, and it is the second biggest Olympic sport. The first 50 metre pool was used in 1924, the first pool inside was used in 1948. Now the pools are always very modern, and the races can be timed to 0.001 seconds.

The USA has always been strong in swimming: it has won more than thirty per cent of all Olympic swimming medals since 1896.

Complete the sentence: "Now, the pools are very _____."

At breakfast the following morning, seven-year-old Alan took notice of the depressing mood in the kitchen. The oldest brother, Jonathan, would always tease Shani, who was thirteen, about how long it took her to get dressed every morning. She would come to the table wearing one outfit, and more often than not, right before she had to leave for school, she would rush to her bedroom and change. But this morning, Jonathan was unusually quiet.

How old was Shani?

1. Англиски (Прв странски јазик) - Општо образование

Прашање

At breakfast the following morning, seven-year-old Alan took notice of the depressing mood in the kitchen. The oldest brother, Jonathan, would always tease Shani, who was thirteen, about how long it took her to get dressed every morning. She would come to the table wearing one outfit, and more often than not, right before she had to leave for school, she would rush to her bedroom and change. But this morning, Jonathan was unusually quiet.

What does "depressing mood at breakfast" mean?

At breakfast the following morning, seven-year-old Alan took notice of the depressing mood in the kitchen. The oldest brother, Jonathan, would always tease Shani, who was thirteen, about how long it took her to get dressed every morning. She would come to the table wearing one outfit, and more often than not, right before she had to leave for school, she would rush to her bedroom and change. But this morning, Jonathan was unusually quiet.

What did Shani do every morning?

1. Англиски (Прв странски јазик) - Општо образование

Прашање

At breakfast the following morning, seven-year-old Alan took notice of the depressing mood in the kitchen. The oldest brother, Jonathan, would always tease Shani, who was thirteen, about how long it took her to get dressed every morning. She would come to the table wearing one outfit, and more often than not, right before she had to leave for school, she would rush to her bedroom and change. But this morning, Jonathan was unusually quiet.

What did Shani change every morning?

Our neighbor, Captain Charles Alison, will sail from Portsmouth tomorrow. We shall meet him at the harbor early in the morning. He will be in his small boat, "Topsail." It has sailed across the Atlantic many times. Captain Alison will set out at eight o'clock, so we shall have plenty of time. He will be away for two months. He will take part in an important race across the Atlantic.

Who will sail tomorrow morning?

1. Англиски (Прв странски јазик) - Општо образование

Прашање

Our neighbor, Captain Charles Alison, will sail from Portsmouth tomorrow. We shall meet him at the harbor early in the morning. He will be in his small boat, "Topsail." It has sailed across the Atlantic many times. Captain Alison will set out at eight o'clock, so we shall have plenty of time. He will be away for two months. He will take part in an important race across the Atlantic.

"He will set out at 8 o'clock" means:

Our neighbor, Captain Charles Alison, will sail from Portsmouth tomorrow. We shall meet him at the harbor early in the morning. He will be in his small boat, "Topsail." It has sailed across the Atlantic many times. Captain Alison will set out at eight o'clock, so we shall have plenty of time. He will be away for two months. He will take part in an important race across the Atlantic.

The word "harbor" is closest in meaning to:

1. Англиски (Прв странски јазик) - Општо образование

Прашање

Our neighbor, Captain Charles Alison, will sail from Portsmouth tomorrow. We shall meet him at the harbor early in the morning. He will be in his small boat, "Topsail." It has sailed across the Atlantic many times. Captain Alison will set out at eight o'clock, so we shall have plenty of time. He will be away for two months. He will take part in an important race across the Atlantic.

How long will the race last?

Our neighbor, Captain Charles Alison, will sail from Portsmouth tomorrow. We shall meet him at the harbor early in the morning. He will be in his small boat, "Topsail." It has sailed across the Atlantic many times. Captain Alison will set out at eight o'clock, so we shall have plenty of time. He will be away for two months. He will take part in an important race across the Atlantic.

Who has sailed across the Atlantic many times?

1. Англиски (Прв странски јазик) - Општо образование

Прашање

Shop assistant: **Can I help you?**

Customer: **Yes, have you got this T-shirt in other colours?**

Shop assistant: **We've got it in white, black, red and purple. What size do you want?**

Customer: **Medium.**

Shop assistant: **OK, in medium we've got black and red.**

Customer: **And in purple?**

Shop assistant: **No, just black and red.**

Customer: **OK, red. Can I try it on?**

Shop assistant: **Yes, of course. The changing rooms are over there.**

(pause)

Shop assistant: **Is it OK?**

Customer: **Yes, I'll take it.**

Shop assistant: **That's £10.95. Would you like to pay by credit card or with cash?**

Customer: **Cash please. Here's twenty.**

Shop assistant: **OK, thanks, that's nine pounds, 5 p change and here's your receipt.**

Customer: **Thanks. Bye.**

Where is the customer?

1. Англиски (Прв странски јазик) - Општо образование

Прашање

Shop assistant: **Can I help you?**

Customer: **Yes, have you got this T-shirt in other colours?**

Shop assistant: **We've got it in white, black, red and purple. What size do you want?**

Customer: **Medium.**

Shop assistant: **OK, in medium we've got black and red.**

Customer: **And in purple?**

Shop assistant: **No, just black and red.**

Customer: **OK, red. Can I try it on?**

Shop assistant: **Yes, of course. The changing rooms are over there.**

(pause)

Shop assistant: **Is it OK?**

Customer: **Yes, I'll take it.**

Shop assistant: **That's £10.95. Would you like to pay by credit card or with cash?**

Customer: **Cash please. Here's twenty.**

Shop assistant: **OK, thanks, that's nine pounds, 5 p change and here's your receipt.**

Customer: **Thanks. Bye.**

What is the customer buying?

1. Англиски (Прв странски јазик) - Општо образование

Прашање

Shop assistant: **Can I help you?**

Customer: **Yes, have you got this T-shirt in other colours?**

Shop assistant: **We've got it in white, black, red and purple. What size do you want?**

Customer: **Medium.**

Shop assistant: **OK, in medium we've got black and red.**

Customer: **And in purple?**

Shop assistant: **No, just black and red.**

Customer: **OK, red. Can I try it on?**

Shop assistant: **Yes, of course. The changing rooms are over there.**

(pause)

Shop assistant: **Is it OK?**

Customer: **Yes, I'll take it.**

Shop assistant: **That's £10.95. Would you like to pay by credit card or with cash?**

Customer: **Cash please. Here's twenty.**

Shop assistant: **OK, thanks, that's nine pounds, 5 p change and here's your receipt.**

Customer: **Thanks. Bye.**

What color does he ask for?

1. Англиски (Прв странски јазик) - Општо образование

Прашање

Shop assistant: **Can I help you?**

Customer: **Yes, have you got this T-shirt in other colours?**

Shop assistant: **We've got it in white, black, red and purple. What size do you want?**

Customer: **Medium.**

Shop assistant: **OK, in medium we've got black and red.**

Customer: **And in purple?**

Shop assistant: **No, just black and red.**

Customer: **OK, red. Can I try it on?**

Shop assistant: **Yes, of course. The changing rooms are over there.**

(pause)

Shop assistant: **Is it OK?**

Customer: **Yes, I'll take it.**

Shop assistant: **That's £10.95. Would you like to pay by credit card or with cash?**

Customer: **Cash please. Here's twenty.**

Shop assistant: **OK, thanks, that's nine pounds, 5 p change and here's your receipt.**

Customer: **Thanks. Bye.**

What size does the customer ask for?

1. Англиски (Прв странски јазик) - Општо образование

Прашање

Shop assistant: **Can I help you?**

Customer: **Yes, have you got this T-shirt in other colours?**

Shop assistant: **We've got it in white, black, red and purple. What size do you want?**

Customer: **Medium.**

Shop assistant: **OK, in medium we've got black and red.**

Customer: **And in purple?**

Shop assistant: **No, just black and red.**

Customer: **OK, red. Can I try it on?**

Shop assistant: **Yes, of course. The changing rooms are over there.**

(pause)

Shop assistant: **Is it OK?**

Customer: **Yes, I'll take it.**

Shop assistant: **That's £10.95. Would you like to pay by credit card or with cash?**

Customer: **Cash please. Here's twenty.**

Shop assistant: **OK, thanks, that's nine pounds, 5 p change and here's your receipt.**

Customer: **Thanks. Bye.**

What color T-shirts do they have in medium size?

1. Англиски (Прв странски јазик) - Општо образование

Прашање

Shop assistant: **Can I help you?**

Customer: **Yes, have you got this T-shirt in other colours?**

Shop assistant: **We've got it in white, black, red and purple. What size do you want?**

Customer: **Medium.**

Shop assistant: **OK, in medium we've got black and red.**

Customer: **And in purple?**

Shop assistant: **No, just black and red.**

Customer: **OK, red. Can I try it on?**

Shop assistant: **Yes, of course. The changing rooms are over there.**

(pause)

Shop assistant: **Is it OK?**

Customer: **Yes, I'll take it.**

Shop assistant: **That's £10.95. Would you like to pay by credit card or with cash?**

Customer: **Cash please. Here's twenty.**

Shop assistant: **OK, thanks, that's nine pounds, 5 p change and here's your receipt.**

Customer: **Thanks. Bye.**

**How much does the T-shirt cost
?**

1. Англиски (Прв странски јазик) - Општо образование

Прашање

Shop assistant: **Can I help you?**

Customer: **Yes, have you got this T-shirt in other colours?**

Shop assistant: **We've got it in white, black, red and purple. What size do you want?**

Customer: **Medium.**

Shop assistant: **OK, in medium we've got black and red.**

Customer: **And in purple?**

Shop assistant: **No, just black and red.**

Customer: **OK, red. Can I try it on?**

Shop assistant: **Yes, of course. The changing rooms are over there.**

(pause)

Shop assistant: **Is it OK?**

Customer: **Yes, I'll take it.**

Shop assistant: **That's £10.95. Would you like to pay by credit card or with cash?**

Customer: **Cash please. Here's twenty.**

Shop assistant: **OK, thanks, that's nine pounds, 5 p change and here's your receipt.**

Customer: **Thanks. Bye.**

**How does the customer pay
?**

1. Англиски (Прв странски јазик) - Општо образование

Прашање

Shop assistant: **Can I help you?**

Customer: **Yes, have you got this T-shirt in other colours?**

Shop assistant: **We've got it in white, black, red and purple. What size do you want?**

Customer: **Medium.**

Shop assistant: **OK, in medium we've got black and red.**

Customer: **And in purple?**

Shop assistant: **No, just black and red.**

Customer: **OK, red. Can I try it on?**

Shop assistant: **Yes, of course. The changing rooms are over there.**

(pause)

Shop assistant: **Is it OK?**

Customer: **Yes, I'll take it.**

Shop assistant: **That's £10.95. Would you like to pay by credit card or with cash?**

Customer: **Cash please. Here's twenty.**

Shop assistant: **OK, thanks, that's nine pounds, 5 p change and here's your receipt.**

Customer: **Thanks. Bye.**

How much does the customer give the shop-assistant ?

1. Англиски (Прв странски јазик) - Општо образование

Прашање

Shop assistant: **Can I help you?**

Customer: **Yes, have you got this T-shirt in other colours?**

Shop assistant: **We've got it in white, black, red and purple. What size do you want?**

Customer: **Medium.**

Shop assistant: **OK, in medium we've got black and red.**

Customer: **And in purple?**

Shop assistant: **No, just black and red.**

Customer: **OK, red. Can I try it on?**

Shop assistant: **Yes, of course. The changing rooms are over there.**

(pause)

Shop assistant: **Is it OK?**

Customer: **Yes, I'll take it.**

Shop assistant: **That's £10.95. Would you like to pay by credit card or with cash?**

Customer: **Cash please. Here's twenty.**

Shop assistant: **OK, thanks, that's nine pounds, 5 p change and here's your receipt.**

Customer: **Thanks. Bye.**

How much change does the customer get ?

1. Англиски (Прв странски јазик) - Општо образование

Прашање

Sophie: **I am so happy to be home!** Oliver: **I bet. So, tell us what happened.** Sophie: **Well, on Thursday afternoon I saw the weather forecast on the TV in the hotel and it said there was a big storm coming.** Oliver: **Yes, that was when we spoke.** Sophie: **That's right. So, I took a taxi to the airport straight away. I wanted to leave before the storm came.** Daisy: **Good idea. Did you get to the airport OK?** Sophie: **Yes, I got there, but hundreds of other people had the same idea. The storm arrived faster than anybody expected so there were no flights! The road to the airport was completely flooded, so nobody could go back into town. We got stuck in the airport!** Oliver: **Did you think it would be for so long?** Sophie: **Not at all. We all thought one night... possibly two...** Daisy: **Did you have enough food?** Sophie: **I bought some food on the first day, but it wasn't very good by the third day. On my birthday I had a packet of crisps and a two-day-old sandwich for lunch.** Oliver: **Poor Mum.** Daisy: **What about the bathrooms at the airport? Were you able to have a shower?** Sophie: **No! The water pipes froze so after the first day there wasn't any water. It wasn't nice!**

**Where is Sophie now
?**

1. Англиски (Прв странски јазик) - Општо образование

Прашање

Sophie: **I am so happy to be home! Oliver: I bet. So, tell us what happened. Sophie: Well, on Thursday afternoon I saw the weather forecast on the TV in the hotel and it said there was a big storm coming. Oliver: Yes, that was when we spoke. Sophie: That's right. So, I took a taxi to the airport straight away. I wanted to leave before the storm came. Daisy: Good idea. Did you get to the airport OK? Sophie: Yes, I got there, but hundreds of other people had the same idea. The storm arrived faster than anybody expected so there were no flights! The road to the airport was completely flooded, so nobody could go back into town. We got stuck in the airport! Oliver: Did you think it would be for so long? Sophie: Not at all. We all thought one night... possibly two... Daisy: Did you have enough food? Sophie: I bought some food on the first day, but it wasn't very good by the third day. On my birthday I had a packet of crisps and a two-day-old sandwich for lunch. Oliver: Poor Mum. Daisy: What about the bathrooms at the airport? Were you able to have a shower? Sophie: No! The water pipes froze so after the first day there wasn't any water. It wasn't nice!**

**How did Sophie get to the airport
?**

1. Англиски (Прв странски јазик) - Општо образование

Прашање

Sophie: **I am so happy to be home! Oliver: I bet. So, tell us what happened. Sophie: Well, on Thursday afternoon I saw the weather forecast on the TV in the hotel and it said there was a big storm coming. Oliver: Yes, that was when we spoke. Sophie: That's right. So, I took a taxi to the airport straight away. I wanted to leave before the storm came. Daisy: Good idea. Did you get to the airport OK? Sophie: Yes, I got there, but hundreds of other people had the same idea. The storm arrived faster than anybody expected so there were no flights! The road to the airport was completely flooded, so nobody could go back into town. We got stuck in the airport! Oliver: Did you think it would be for so long? Sophie: Not at all. We all thought one night... possibly two... Daisy: Did you have enough food? Sophie: I bought some food on the first day, but it wasn't very good by the third day. On my birthday I had a packet of crisps and a two-day-old sandwich for lunch. Oliver: Poor Mum. Daisy: What about the bathrooms at the airport? Were you able to have a shower? Sophie: No! The water pipes froze so after the first day there wasn't any water. It wasn't nice!**

**Where did Sophie watch the weather forecast
?**

1. Англиски (Прв странски јазик) - Општо образование

Прашање

Sophie: **I am so happy to be home! Oliver: I bet. So, tell us what happened. Sophie: Well, on Thursday afternoon I saw the weather forecast on the TV in the hotel and it said there was a big storm coming. Oliver: Yes, that was when we spoke. Sophie: That's right. So, I took a taxi to the airport straight away. I wanted to leave before the storm came. Daisy: Good idea. Did you get to the airport OK? Sophie: Yes, I got there, but hundreds of other people had the same idea. The storm arrived faster than anybody expected so there were no flights! The road to the airport was completely flooded, so nobody could go back into town. We got stuck in the airport! Oliver: Did you think it would be for so long? Sophie: Not at all. We all thought one night... possibly two... Daisy: Did you have enough food? Sophie: I bought some food on the first day, but it wasn't very good by the third day. On my birthday I had a packet of crisps and a two-day-old sandwich for lunch. Oliver: Poor Mum. Daisy: What about the bathrooms at the airport? Were you able to have a shower? Sophie: No! The water pipes froze so after the first day there wasn't any water. It wasn't nice!**

**Why did Sophie decide to go to the airport
?**

1. Англиски (Прв странски јазик) - Општо образование

Прашање

Sophie: **I am so happy to be home! Oliver: I bet. So, tell us what happened. Sophie: Well, on Thursday afternoon I saw the weather forecast on the TV in the hotel and it said there was a big storm coming. Oliver: Yes, that was when we spoke. Sophie: That's right. So, I took a taxi to the airport straight away. I wanted to leave before the storm came. Daisy: Good idea. Did you get to the airport OK? Sophie: Yes, I got there, but hundreds of other people had the same idea. The storm arrived faster than anybody expected so there were no flights! The road to the airport was completely flooded, so nobody could go back into town. We got stuck in the airport! Oliver: Did you think it would be for so long? Sophie: Not at all. We all thought one night... possibly two... Daisy: Did you have enough food? Sophie: I bought some food on the first day, but it wasn't very good by the third day. On my birthday I had a packet of crisps and a two-day-old sandwich for lunch. Oliver: Poor Mum. Daisy: What about the bathrooms at the airport? Were you able to have a shower? Sophie: No! The water pipes froze so after the first day there wasn't any water. It wasn't nice!**

**What is Sophie to Daisy and Oliver
?**

1. Англиски (Прв странски јазик) - Општо образование

Прашање

Sophie: **I am so happy to be home! Oliver: I bet. So, tell us what happened. Sophie: Well, on Thursday afternoon I saw the weather forecast on the TV in the hotel and it said there was a big storm coming. Oliver: Yes, that was when we spoke. Sophie: That's right. So, I took a taxi to the airport straight away. I wanted to leave before the storm came. Daisy: Good idea. Did you get to the airport OK? Sophie: Yes, I got there, but hundreds of other people had the same idea. The storm arrived faster than anybody expected so there were no flights! The road to the airport was completely flooded, so nobody could go back into town. We got stuck in the airport! Oliver: Did you think it would be for so long? Sophie: Not at all. We all thought one night... possibly two... Daisy: Did you have enough food? Sophie: I bought some food on the first day, but it wasn't very good by the third day. On my birthday I had a packet of crisps and a two-day-old sandwich for lunch. Oliver: Poor Mum. Daisy: What about the bathrooms at the airport? Were you able to have a shower? Sophie: No! The water pipes froze so after the first day there wasn't any water. It wasn't nice!**

**Where was Sophie for her birthday
?**

1. Англиски (Прв странски јазик) - Општо образование

Прашање

Sophie: **I am so happy to be home! Oliver: I bet. So, tell us what happened. Sophie: Well, on Thursday afternoon I saw the weather forecast on the TV in the hotel and it said there was a big storm coming. Oliver: Yes, that was when we spoke. Sophie: That's right. So, I took a taxi to the airport straight away. I wanted to leave before the storm came. Daisy: Good idea. Did you get to the airport OK? Sophie: Yes, I got there, but hundreds of other people had the same idea. The storm arrived faster than anybody expected so there were no flights! The road to the airport was completely flooded, so nobody could go back into town. We got stuck in the airport! Oliver: Did you think it would be for so long? Sophie: Not at all. We all thought one night... possibly two... Daisy: Did you have enough food? Sophie: I bought some food on the first day, but it wasn't very good by the third day. On my birthday I had a packet of crisps and a two-day-old sandwich for lunch. Oliver: Poor Mum. Daisy: What about the bathrooms at the airport? Were you able to have a shower? Sophie: No! The water pipes froze so after the first day there wasn't any water. It wasn't nice!**

**What did Sophie have for her birthday
?**

1. Англиски (Прв странски јазик) - Општо образование

Прашање

Sophie: **I am so happy to be home! Oliver: I bet. So, tell us what happened. Sophie: Well, on Thursday afternoon I saw the weather forecast on the TV in the hotel and it said there was a big storm coming. Oliver: Yes, that was when we spoke. Sophie: That's right. So, I took a taxi to the airport straight away. I wanted to leave before the storm came. Daisy: Good idea. Did you get to the airport OK? Sophie: Yes, I got there, but hundreds of other people had the same idea. The storm arrived faster than anybody expected so there were no flights! The road to the airport was completely flooded, so nobody could go back into town. We got stuck in the airport! Oliver: Did you think it would be for so long? Sophie: Not at all. We all thought one night... possibly two... Daisy: Did you have enough food? Sophie: I bought some food on the first day, but it wasn't very good by the third day. On my birthday I had a packet of crisps and a two-day-old sandwich for lunch. Oliver: Poor Mum. Daisy: What about the bathrooms at the airport? Were you able to have a shower? Sophie: No! The water pipes froze so after the first day there wasn't any water. It wasn't nice!**

**Why wasn't Sophie able to take a shower
?**

1. Англиски (Прв странски јазик) - Општо образование

Прашање

Eric: This is where I live. It's a big, posh Roman villa, because my dad's got a big, posh Roman job. He's a tax collector, and it must be a really popular job, because people are always waving at him.

And this is my pet, Quackus Maximus. All my friends have pets. Some have dogs, cats, geese and even monkeys. But everyone knows a duck's a man's best friend. Salad for breakfast, Quackus?

This villa's brand new. It's got all the latest gear. We've got baths, hot water, glass, central heating and mosaics. We've also got a school room where I study with my own personal tutor, unfortunately. I don't really like being the only one in the class.

**What is Eric's dad
?**

1. Англиски (Прв странски јазик) - Општо образование

Прашање

Eric: This is where I live. It's a big, posh Roman villa, because my dad's got a big, posh Roman job. He's a tax collector, and it must be a really popular job, because people are always waving at him.

And this is my pet, Quackus Maximus. All my friends have pets. Some have dogs, cats, geese and even monkeys. But everyone knows a duck's a man's best friend. Salad for breakfast, Quackus?

This villa's brand new. It's got all the latest gear. We've got baths, hot water, glass, central heating and mosaics. We've also got a school room where I study with my own personal tutor, unfortunately. I don't really like being the only one in the class.

Who is Quackus Maximus?

1. Англиски (Прв странски јазик) - Општо образование

Прашање

Eric: This is where I live. It's a big, posh Roman villa, because my dad's got a big, posh Roman job. He's a tax collector, and it must be a really popular job, because people are always waving at him.

And this is my pet, Quackus Maximus. All my friends have pets. Some have dogs, cats, geese and even monkeys. But everyone knows a duck's a man's best friend. Salad for breakfast, Quackus?

This villa's brand new. It's got all the latest gear. We've got baths, hot water, glass, central heating and mosaics. We've also got a school room where I study with my own personal tutor, unfortunately. I don't really like being the only one in the class.

**Why doesn't Eric like school
?**

1. Англиски (Прв странски јазик) - Општо образование

Прашање

Eric: This is where I live. It's a big, posh Roman villa, because my dad's got a big, posh Roman job. He's a tax collector, and it must be a really popular job, because people are always waving at him.

And this is my pet, Quackus Maximus. All my friends have pets. Some have dogs, cats, geese and even monkeys. But everyone knows a duck's a man's best friend. Salad for breakfast, Quackus?

This villa's brand new. It's got all the latest gear. We've got baths, hot water, glass, central heating and mosaics. We've also got a school room where I study with my own personal tutor, unfortunately. I don't really like being the only one in the class.

**What is Eric's villa like
?**

1. Англиски (Прв странски јазик) - Општо образование

Прашање

Eric: This is where I live. It's a big, posh Roman villa, because my dad's got a big, posh Roman job. He's a tax collector, and it must be a really popular job, because people are always waving at him.

And this is my pet, Quackus Maximus. All my friends have pets. Some have dogs, cats, geese and even monkeys. But everyone knows a duck's a man's best friend. Salad for breakfast, Quackus?

This villa's brand new. It's got all the latest gear. We've got baths, hot water, glass, central heating and mosaics. We've also got a school room where I study with my own personal tutor, unfortunately. I don't really like being the only one in the class.

**Who does Eric study with
?**

1. Англиски (Прв странски јазик) - Општо образование

Прашање

I have recently moved to Hamburg in Germany and have always heard a famous stereotype that "Germans are very unfashionable". I always heard that Germans just wear jeans and jumpers or some strange clothes. Since I have moved here though, I have found this to actually be completely false and I think I would prefer it if they did just wear jeans and jumpers, so I could do the same! Hamburg is a very big shopping city with hundreds of clothes shops wherever you look. Aside from H&M, New Yorker and Mango, I have found a New Look and a new Topshop has recently just opened. These shops are quite popular shops in the UK and sell clothes which are always classed as very "fashionable".

Where did the author of this passage move to?

I have recently moved to Hamburg in Germany and have always heard a famous stereotype that "Germans are very unfashionable". I always heard that Germans just wear jeans and jumpers or some strange clothes. Since I have moved here though, I have found this to actually be completely false and I think I would prefer it if they did just wear jeans and jumpers, so I could do the same! Hamburg is a very big shopping city with hundreds of clothes shops wherever you look. Aside from H&M, New Yorker and Mango, I have found a New Look and a new Topshop has recently just opened. These shops are quite popular shops in the UK and sell clothes which are always classed as very "fashionable".

What did the author think that the Germans wore?

1. Англиски (Прв странски јазик) - Општо образование

Прашање

I have recently moved to Hamburg in Germany and have always heard a famous stereotype that "Germans are very unfashionable". I always heard that Germans just wear jeans and jumpers or some strange clothes. Since I have moved here though, I have found this to actually be completely false and I think I would prefer it if they did just wear jeans and jumpers, so I could do the same! Hamburg is a very big shopping city with hundreds of clothes shops wherever you look. Aside from H&M, New Yorker and Mango, I have found a New Look and a new Topshop has recently just opened. These shops are quite popular shops in the UK and sell clothes which are always classed as very "fashionable".

How many clothes shops does Hamburg have?

I have recently moved to Hamburg in Germany and have always heard a famous stereotype that "Germans are very unfashionable". I always heard that Germans just wear jeans and jumpers or some strange clothes. Since I have moved here though, I have found this to actually be completely false and I think I would prefer it if they did just wear jeans and jumpers, so I could do the same! Hamburg is a very big shopping city with hundreds of clothes shops wherever you look. Aside from H&M, New Yorker and Mango, I have found a New Look and a new Topshop has recently just opened. These shops are quite popular shops in the UK and sell clothes which are always classed as very "fashionable".

**Which shops have recently opened
?**

1. Англиски (Прв странски јазик) - Општо образование

Прашање

I have recently moved to Hamburg in Germany and have always heard a famous stereotype that "Germans are very unfashionable". I always heard that Germans just wear jeans and jumpers or some strange clothes. Since I have moved here though, I have found this to actually be completely false and I think I would prefer it if they did just wear jeans and jumpers, so I could do the same! Hamburg is a very big shopping city with hundreds of clothes shops wherever you look. Aside from H&M, New Yorker and Mango, I have found a New Look and a new Topshop has recently just opened. These shops are quite popular shops in the UK and sell clothes which are always classed as very "fashionable".

Which clothes are very fashionable in the UK?

Dwarfed in Germany **We went on a tour of Germany one year from secondary school to play football against three different teams there. Everyone was violently sick on the ferry going across to Holland, and the whole thing was a bit of a farce as the teacher who had arranged it didn't speak German very well so we ended up playing teams who were three or four years older than us! Naturally we got beaten every time. Where did the students go?**

Dwarfed in Germany **We went on a tour of Germany one year from secondary school to play football against three different teams there. Everyone was violently sick on the ferry going across to Holland, and the whole thing was a bit of a farce as the teacher who had arranged it didn't speak German very well so we ended up playing teams who were three or four years older than us! Naturally we got beaten every time. How did the students travel?**

1. Англиски (Прв странски јазик) - Општо образование

Прашање

Dwarfed in Germany **We went on a tour of Germany one year from secondary school to play football against three different teams there. Everyone was violently sick on the ferry going across to Holland, and the whole thing was a bit of a farce as the teacher who had arranged it didn't speak German very well so we ended up playing teams who were three or four years older than us! Naturally we got beaten every time. Why did the students travel?**

Dwarfed in Germany **We went on a tour of Germany one year from secondary school to play football against three different teams there. Everyone was violently sick on the ferry going across to Holland, and the whole thing was a bit of a farce as the teacher who had arranged it didn't speak German very well so we ended up playing teams who were three or four years older than us! Naturally we got beaten every time. What was the score after each match?**

Dwarfed in Germany **We went on a tour of Germany one year from secondary school to play football against three different teams there. Everyone was violently sick on the ferry going across to Holland, and the whole thing was a bit of a farce as the teacher who had arranged it didn't speak German very well so we ended up playing teams who were three or four years older than us! Naturally we got beaten every time. Why were the students sick?**

Dwarfed in Germany **We went on a tour of Germany one year from secondary school to play football against three different teams there. Everyone was violently sick on the ferry going across to Holland, and the whole thing was a bit of a farce as the teacher who had arranged it didn't speak German very well so we ended up playing teams who were three or four years older than us! Naturally we got beaten every time. Who didn't speak German very well?**

1. Англиски (Прв странски јазик) - Општо образование

Прашање

Dwarfed in Germany **We went on a tour of Germany one year from secondary school to play football against three different teams there. Everyone was violently sick on the ferry going across to Holland, and the whole thing was a bit of a farce as the teacher who had arranged it didn't speak German very well so we ended up playing teams who were three or four years older than us! Naturally we got beaten every time. How much older were the teams?**

Complete the sentence: "He is a waiter. He works in a _____."

Complete the sentence: "She wore a nice pair of _____."

Complete the sentence: "The shoes _____ \$ 45."

Complete the sentence: "She never _____ anything. She's always cheerful."

Finish the sentence: "I told her to _____ the light, because I could not see anything."

Complete the sentence: "She _____ at 7.00 o'clock every morning."

1. Англиски (Прв странски јазик) - Општо образование

Прашање

Complete the sentence: "She doesn't talk much. She is very _____."

Complete the sentence: "He takes tourists around. He is a _____."

Finish the sentence with the correct word: "You must use the _____ to go to the fourth floor."

Complete the sentence: "He is a very good soccer player. He is really _____."

Finish the sentence. "This food is very bad. It is _____."

Complete the sentence: "She is very _____. She gave me some money yesterday."

1. Англиски (Прв странски јазик) - Општо образование

Прашање

Complete the sentence: "He jumped out of the window to save the baby's life. He is very _____."

Complete the sentence: "I could not type. The _____ of my computer is broken."

Finish the sentence: "Many people take their credit _____ with them when they go on holiday."

Complete the sentence: "She _____ her bed every morning."

Complete the sentence: "Ohrid is famous _____ its lake."

1. Англиски (Прв странски јазик) - Општо образование

Прашање

Complete the sentence: "London has a _____ of 8 million people."

Complete the sentence: "There is plenty _____ sunshine in Florida."

Complete the sentence: "The water in the lake was very cold. It was _____."

When you are very tired, you are:

The underlined word in the sentence: "It was a terrible experince.", can be replaced with:

Complete the sentence: "'I watched a very _____ film. I could not sleep afterwards."

1. Англиски (Прв странски јазик) - Општо образование

Прашање

Finish the sentence: "He is very rich. He has a _____."

Which is the correct plural form?

Finish the sentence: "_____ are my shoes."

Complete the sentence: "This is _____ phone."

Complete the sentence: "I'd like _____ a new phone for my daughter."

Complete the sentence: "That is _____ car."

What is the right answer to the question: "Is he your brother?"

1. Англиски (Прв странски јазик) - Општо образование

Прашање

What will be the question to the following answer : "I can help you."

Which sentence has a correct word order?

Finish the sentence: "We have decided _____ school."

What is the word "must" in the sentence: "She must finish her meal."?

What is the word "rained" in the sentence: "It rained a lot yesterday."?

1. Англиски (Прв странски јазик) - Општо образование

Прашање

Complete the sentence! "I didn't _____ he was at home."

Finish the sentence: "You can't live without _____."

"We are going ____ the movies tomorrow night."

Which noun is in plural?

Fill the gap: "This is _____ summer in 20 years."

1. Англиски (Прв странски јазик) - Општо образование

Прашање

Complete the sentence! "John _____ 20 miles every afternoon."

Which sentence is reported speech?

"We don't have much time." The word "much" can be replaced by:

What will be the answer to the following question: "Did she visit you last year?"

Which imperative sentence is correct?

Finish the sentence: "Mary is good _____ painting."

1. Англиски (Прв странски јазик) - Општо образование

Прашање

Complete the sentence: "She is _____ girl in our school!"

Finish the sentence: "_____ United States are a very large country."

Fill the gap: "There are three _____ standing in front of the building."

Fill the gap: "_____ coffee do you have?"

Complete the sentence: "This book is not mine. It's _____."

Fill the gap: "She said she saw _____ at the market."

1. Англиски (Прв странски јазик) - Општо образование

Прашање

Fill the gap: "This is a very _____ job."

Fill the gap: "There is _____ apple in my bag."

Fill the gap: "I _____ it when we have a lot of homework to do."

Fill the gap: "_____ only seven students in the classroom."

Complete the sentence: "She lives ____ London."

1. Англиски (Прв странски јазик) - Општо образование

Прашање

Fill the gap: "I visited my youngest aunt _____."

The abbreviation "adj." stands for:

Fill the gap: "She fell in love _____ his voice."

Fill the gap: "How _____ she go to work?"

Complete the sentence: "_____ stole my phone."

1. Англиски (Прв странски јазик) - Општо образование

Прашање

Fill the gap: "_____ shoes are nice."

Fill the gap: "Today is the _____ of February."

The number 534 is the same as:

Fill the gap: "There isn't _____ tea in the cup."

Fill the gap: "He _____ run very fast when he was young."

1. Англиски (Прв странски јазик) - Општо образование

Прашање

Fill the gap: "The department store is _____ the gas station."

Finish the sentence: "Keiko is from Japan. She is _____."

Fill the gap: "I _____ ill yesterday."

Fill the gap: "He _____ ski when he was three."

Fill the gap: "Did she _____ there in 1990?"

1. Англиски (Прв странски јазик) - Општо образование

Прашање

What is the short positive answer to the question: "Is she from Spain?"

Fill the gap: "They have a dog _____ a cat."

Fill the gap: "_____ the second street on the right."

Fill the gap: "The flat is small, _____ it's comfortable."

1. Англиски (Прв странски јазик) - Општо образование

Прашање

Fill the gap: "I didn't _____ math in school when I was a student."

Fill the gap: "I like living here _____ it's near the shops."

Fill the gap: "They didn't go to bed _____ after midnight."

Fill the gap: "It's a _____ day!"

1. Англиски (Прв странски јазик) - Општо образование

Прашање

Fill the gap: "I haven't got _____ paper."

Fill the gap: "John _____ in a village two years ago."

Fill the gap: "They didn't _____ here in 1989."

Fill the gap: "_____ they come here in 1989?"

1. Англиски (Прв странски јазик) - Општо образование

Прашање

Fill the gap: "There _____ many books on the table."

Finish the sentence: "_____ river Thames flows through London."

Fill the gap: "John loves _____ music."

Fill the gap: "There isn't _____ sugar on the table."

1. Англиски (Прв странски јазик) - Општо образование

Прашање

Fill the gap: "Is this _____ dog?"

Complete the sentence: "I was doing my homework when Jack _____."

Fill the gap: "John _____ two minutes ago."

Fill the gap: "_____ I go, please?"

1. Англиски (Прв странски јазик) - Општо образование

Прашање

Fill the gap: "I _____ Alice for six years."

Complete the sentence: "_____ you like to dance?"

Finish the question: "_____ is the weather like?"

The question: "Excuse me, where is the library?", asks about:

1. Англиски (Прв странски јазик) - Општо образование

Прашање

When you like something, you say: "I _____ pears."

With the question: "Will you help me?" people ask for:

The sentence: "I should do more work.", expresses:

At the end of the week, you say:

1. Англиски (Прв странски јазик) - Општо образование

Прашање

When you ask: "How much sugar do you need?", you ask about:

The sentence: "You mustn't smoke in here" means:

2. Германски (Втор странски јазик) - Општо образование

Прашање

Diese Hose ist nicht lang genug. Sie ist mir zu _____.

Diese Schuhe passen mir nicht. Sie sind mir zu _____.

2. Германски (Втор странски јазик) - Општо образование

Прашање

Wann hast du wieder Unterricht? - _____

Ich kaufe Lebensmittel in einem _____.

Ich möchte Deutsch lernen. Ich besuche einen _____.

Wenn es regnet, nehme ich _____ mit.

Marko trinkt lieber _____ als Cola.

Wo kann man eine Zugfahrkarte kaufen?

Normalerweise schläft man _____.

2. Германски (Втор странски јазик) - Општо образование

Прашање

Ich möchte tanzen lernen. Ich besuche _____ Tanzkurs.

Ich möchte 50 Dollar in Euro _____ .

Warum wird man dick? - Weil man _____ isst.

Mozart ist ein bekannter _____.

Der Arzt untersucht den _____.

2. Германски (Втор странски јазик) - Општо образование

Прашање

Der Sportler hat starke Muskeln. Das heißt, er ist _____ .

Die Kinder _____ auf dem Spielplatz.

Die alte Frau hat die Grippe. Sie ist _____ .

Die Blumen stehen in _____ Vase.

Ist dein Bruder groß? - Nein, er ist _____ .

2. Германски (Втор странски јазик) - Општо образование

Прашање

Im Camp schläft man _____ .

Wir sehen oft fern. Gestern haben wir einen neuen _____ gekauft.

Der Kopf tut mir weh. Das heißt, ich habe _____ -

Es geht mir nicht gut. Zu Mittag habe ich zu viel gegessen. Jetzt ist mir _____ .

Mir geht es nicht gut. Ich glaube, ich habe _____ .

2. Германски (Втор странски јазик) - Општо образование

Прашање

Viele Eltern möchten ihre _____ zu Stars machen.

Klaus möchte in einem Orchester spielen. Er hat vor kurzer Zeit eine eigene _____ gegründet.

Im Internet kann man _____.

Karin mag Handarbeit und hat ein Hobby. Sie _____ gern.

Kreuzberg ist ein _____ .

Welches Essen ist typisch deutsch?

2. Германски (Втор странски јазик) - Општо образование

Прашање

Viel Alkohol zu trinken, ist _____.

Rolf möchte mit dem Boot eine Insel entdecken. Er ist ein _____ Junge.

Was bekommt Valeria von ihren Eltern zum _____? – Ein Auto, sie wird 18.

In Omas Kleiderschrank hängt Kleidung der 60er Jahre. Diese Kleidung ist so _____.

Was nimmt Valeria zur _____ mit? – Viele CDs.

Die Mutter von Moritz ärgert sich immer am Ende des Schuljahres über seine schlechten _____.

Jedes Land _____ seinen Nationaltag.

2. Германски (Втор странски јазик) - Општо образование

Прашање

Karin geht oft ins Schwimmbad. Das macht ihr Spaß. – Welches Hobby hat sie?

Es ist gesund, _____ zu essen.

Ich möchte ins Ausland fahren. Dazu brauche ich _____.

Spinat, Wurst, Fleisch, Schnitzel.
Welches Wort passt nicht?

Der Mann geht nach der Arbeit _____.

Die Musik ist _____ zu laut.

Ich bleibe drei Jahre in England. Ich will gründlich _____ lernen.

2. Германски (Втор странски јазик) - Општо образование

Прашање

Er ist wieder gesund. Es scheint, dass _____ gut wirken.

Im Meer gibt es viele _____.

Der Vogel kann _____ .

Die Schüler sind draußen. Sie sind _____ .

Die Jungen treiben Sport. Sie sind _____.

Neben _____ Musik hört er die Nachrichten im Radio.

Sie hängt das Kleid in _____ Schrank.

2. Германски (Втор странски јазик) - Општо образование

Прашање

_____ einem Jahr wohne ich in dieser Wohnung.

Die Katze sitzt _____ Baum.

Die Schüler treiben Sport. Sie sind _____

Neben _____ Nachrichten sieht sie im Fernsehen die Serien.

Wenn du billig einkaufst, kannst du mehr Geld _____.

_____ ich in einem Dorf wohne, habe ich ein Pferd.

Morgen kommt der Nachbar. _____ Schwester wohnt in Wien.

2. Германски (Втор странски јазик) - Општо образование

Прашање

Er _____ den Text langsam.

Meine Schwester und ich _____ früher gern lange Haare haben.

_____ kommt Paolo? - Aus Italien.

Ich glaube, die Brille _____ Peter.

Paul macht morgen eine Party. Ich _____ ihm ein Buch schenken.

Die Bücher stehen _____ Regal.

Ich habe _____ in einen Jungen total verliebt.

2. Германски (Втор странски јазик) - Општо образование

Прашање

Das ist meine Freundin Anna. ____ möchte sehr gern chatten.

Wann endet das Schuljahr? - _____ Juni.

Nächsten Sommer fahren wir _____ Meer.

_____ gehört das Foto?

Wann kommt ihr _____ Hamburg?

Ich wasche _____ jeden Tag.

Die Bilder hängen _____ Wand.

Wann beginnt das Schuljahr? - _____ September.

2. Германски (Втор странски јазик) - Општо образование

Прашање

Meine Familie fährt morgen _____ Wiesbaden.

Das kleine Kind hat einen Hund bekommen. _____ Hund heißt John.

Das ist Todor. Ich kenne _____ gut.

Wenn ich nicht zu Fuß gehen möchte, kaufe ich _____ ein Auto.

Mein Freund spielt Gitarre. Er _____ Popmusiker werden.

Oh, nein, jetzt bin ich in den falschen Zug _____.

Im Wald _____ man spazieren gehen.

Ich finde das Wochenende cool, weil man da _____ Schule hat.

2. Германски (Втор странски јазик) - Општо образование

Прашање

Unsere Basketballspieler haben 20:19 _____.

Andrea kann gut Tennis _____ und schnell laufen.

Wie findest du den Mann? - Ich finde _____ zu dick.

Sie hat letzte Nacht lange _____.

Herr Fritz _____ gestern in die Schweiz gefahren.

Nikolina ist nicht gut in der Schule. Aber das ist _____ egal.

_____ sieht heute im Wohnzimmer fern? – Mein Bruder.

Welches Datum ist heute?

2. Германски (Втор странски јазик) - Општо образование

Прашање

Das Zimmer von Tobias ist unordentlich! Die Mutter sagt: "Räume dein Zimmer auf!" Tobias _____ sein Zimmer aufräumen.

Ich interessiere mich _____ Politik.

Der Mont Blanc ist höher als die Zugspitze, aber der Mount Everest ist _____ Berg der Erde.

_____ Schauspielerin kennst du?

Ich lerne Deutsch, _____ ich in Berlin studieren möchte.

Wo ist denn meine Bluse?

Du verstehst eine Frage nicht. Wie fragst du nach? - Wie _____?

2. Германски (Втор странски јазик) - Општо образование

Прашање

In dem Land, dessen Hauptstadt Rom ist, spricht man meistens

Bei diesem Wetter gehe ich nicht spazieren. - _____

Gehen wir spazieren? - _____

Wo ist denn nur mein Heft?

Lars, wie gefällt dir die neue Kollegin?

Deutsch ist nicht so schwer zu lernen. - Was sagst du?

2. Германски (Втор странски јазик) - Општо образование

Прашање

Anne sieht sympathisch aus. Ich finde sie _____ .

Dieses Schild bedeutet:



Martin sieht sehr gut aus. - Ja, _____ .

Hallo Tom! - Hallo Kimi, wie geht es?

Es schneit, ich möchte im Schnee spazieren gehen.

Du triffst deine Freunde. Was sagst du?

2. Германски (Втор странски јазик) - Општо образование

Прашање

Das Oktoberfest in München ist _____.

Eine TV-Sendung aus mehreren Folgen ist _____ .

Wie fragt Kristina ihren Bruder nach der Uhrzeit?

Was kann ich für den Umweltschutz tun?

Dein Vater hat viel zu tun. Was sagst du ihm?

Wie oft siehst du fern?

Morgen gehen wir Tino besuchen. Kommst du mit?

Guten Abend, kann ich bitte Marta sprechen? - Nein, _____

Ich bin so schlecht in der Schule. Was soll ich machen?

Frau und Herr Schmidt müssen im Hotel schlafen. Was sagen sie an der Rezeption?

2. Германски (Втор странски јазик) - Општо образование

Прашање

Die Tasche ist sehr schwer. Kannst du sie tragen?

Wollen wir draußen spielen? Wie _____ dir mein Vorschlag?

Bei diesem Regen machen wir keinen Ausflug! - _____

Zum Abendessen gibt es in Deutschland meist _____.

Mein Koffer ist sehr schwer. Kannst du ihn tragen?

2. Германски (Втор странски јазик) - Општо образование

Прашање

Hallo Inge! – Hallo Christine, wie geht's?

In welchem Monat feiert man das Bierfest in München?

Morgen gehen wir zu Michaela. Kommst du mit?

Guten Abend, kann ich bitte Nina sprechen? - Nein, _____

Marta ist sehr müde, sie möchte schlafen. Was soll sie machen?

Frau und Herr Weber müssen im Hotel schlafen. Was sagen sie an der Rezeption?

Wo ist denn nur meine Tasche? -

Was sagst du vor dem Trinken eines alkoholischen Getränks?

2. Германски (Втор странски јазик) - Општо образование

Прашање

Deine Freundin kann nicht mitfahren. Was sagst du ihr?

Ein Junge möchte einen Computer kaufen. Was sagt er dem Verkäufer?

„Ich glaube, du musst mit deinen Eltern sprechen.“

Die Kinder, die lange vor dem Fernseher sitzen, werden unsportlich und zu dick!
Was sollen die Kinder dagegen machen?

Dein Freund kann nicht mitfahren. Was sagst du ihm?

Ein Mann möchte eine Fahrkarte kaufen. Was sagt er am Schalter?

„Meiner Meinung nach musst du mit deinen Lehrern sprechen.“ Wie kann man es anders sagen?

2. Германски (Втор странски јазик) - Општо образование

Прашање

Peter hat diese Antwort bekommen: "Der Preis des Klaviers ist ungefähr siebenhundert Euro." Was hat Peter gefragt?

Deine Freundin weint, weil sie eine schlechte Note in Mathe bekommen hat. Was sagst du ihr?

Kannst du mir etwas Geld leihen?

Du willst ins Konzert gehen. Wie fragst du deinen Vater? -

Liebe Mutter,
ich bin schon drei Wochen in Berlin. Das Hotel ist sehr gut und das Zimmer auch.
Die Firma ist nicht sehr weit vom Hotel entfernt. Abends gehe ich ins Café.
Viele Grüße
Deine Viola

Wer schreibt den Brief?

2. Германски (Втор странски јазик) - Општо образование

Прашање

Ich warte heute um 16 vor dem Café. L.G. Peter

Was ist das?

Hallo! Ich heiße Eva, bin sechzehn Jahre alt und komme aus Wien. Ich möchte junge Leute aus aller Welt kennen lernen, die sich für Musik und Sport interessieren. Meine E-Mail ist: Eva@hotmail.A

Was für ein Text ist das?

Anna hat einen Mantel gekauft. Ihr Mantel ist modern und er passt ihr gut, besonders zu den Jeans. Den Mantel hat sie in einem teuren Geschäft gekauft und er kostete 200 Euro.

Wo hat Anna den Mantel gekauft?

2. Германски (Втор странски јазик) - Општо образование

Прашање

Im Bus gibt es ein Schild, auf dem steht: „Im Bus darf man kein Eis essen!“

Was für ein Text ist das?

„Wie ich höre, Katja, du hast ein Schwesterchen bekommen. Es ist 10 Monate alt und sagt ein Paar Wörter undeutlich“

Welche Sprache spricht die Kleine?

Ich verkaufe meinen gebrauchten Computer, sechs Monate alt. Kontaktname: Anton
Telefonnummer: 23 32 455

Was für ein Text ist das?

2. Германски (Втор странски јазик) - Општо образование

Прашање

Liebe Julia,
ich habe bald Geburtstag und ich mache eine Party. Alle meine Freunde werden kommen. Ich hoffe, dass auch du kommst.
Deine Ema

Was schreibt Ema?

Anna ist zum ersten Mal in Berlin. Dort gibt es viel zu sehen: die berühmteste Einkaufstraße Ku'damm, die Oranienburger Straße, das Schloss Sanssouci, den Stadtteil Kreuzberg, das Ägyptische Museum...

Wo kaufen die Berliner am liebsten ein?

Herr Gallo kommt aus Italien. Er ist 30 Jahre alt und er ist nicht mehr berufstätig. Seine Frau ist Büroassistentin. Sie wohnen jetzt in Deutschland und er lernt Deutsch. Herr Gallo hilft seiner Frau im Haushalt.

Was ist Herr Gallo jetzt von Beruf?

- Er ist _____ .

2. Германски (Втор странски јазик) - Општо образование

Прашање

Was für ein Text ist es?

Frankfurt/M, den 7. Dezember 2013
Ricarda Bauer
Schillerstraße 17
79 531 Frankfurt am Main
Tel. (0651) 33 25 31

An die
Firma "Löwe"
Adenauerstraße 6
75 28 34 München

So beginnt ein _____.

2. Германски (Втор странски јазик) - Општо образование

Прашање

Liebe Carla,
Am Samstag mache ich eine Geburtstagsparty. Alle meine Freunde kommen. Ich hoffe, du kommst auch.
Deine Beate

Was schreibt Beate?

Brigitte ist zum ersten Mal in München. Dort gibt es viel zu sehen: den Englischen Garten, das Deutsche Museum, die Nymphenburg, die Frauenkirche, den Marienplatz, die Alte Pinakothek.

Was möchte Brigitte besichtigen? - _____

2. Германски (Втор странски јазик) - Општо образование

Прашање

Herr Luca kommt aus Italien. Er ist 30 Jahre alt und er ist arbeitslos. Seine Frau kommt aus Rom und arbeitet als Arzthelferin. Sie wohnen jetzt in Deutschland. Herr Luca lernt Deutsch und hilft seiner Frau im Haushalt.

Was ist im Moment Herr Luca von Beruf? - Er ist _____ .

Die neue Schülerin ist beliebt, weil sie ihrer Mitschülerin Karla drei Äpfel schenkte. Noch drei gab sie den anderen Mädchen. Nun hat sie nur einen Apfel für sich.

Wie ist die neue Schülerin. - Sie ist _____ .

2. Германски (Втор странски јазик) - Општо образование

Прашање

Das Matternhorn ist ein berühmter Berg in der Schweiz. Es ist 4 478 Meter hoch und schaut wie ein Horn aus. Wenn man auf den Gipfel will, muss man gut klettern können, denn es gibt keine Seilbahn zum Gipfel.

Man kann den Gipfel erreichen, wenn man ein guter _____ ist.

Das Matternhorn ist ein berühmter Berg in der Schweiz. Es ist 4 478 Meter hoch und schaut wie ein Horn aus. Wenn man auf den Gipfel will, muss man gut klettern können, denn es gibt keine Seilbahn zum Gipfel.

Den Gipfel kann man nur _____ erreichen.

2. Германски (Втор странски јазик) - Општо образование

Прашање

Herr Schmidt möchte etwas Warmes trinken. Der Kellner bringt ihm die Getränkekarte. Herr Schmidt sucht ein warmes Getränk ohne Alkohol. Aber auf der Getränkekarte stehen nur alkoholische warme Getränke: Glühweine und Punsche.

Herr Schmidt möchte _____ Getränk.

Frau Meier sitzt im Restaurant und möchte eine gute Suppe essen. Die Kellnerin sagt, dass die mazedonische Suppe ausgezeichnet ist. Frau Meier bestellt für sich eine Gulaschsuppe. Sie nimmt auch eine Spinatsuppe für ihre Schwester und eine Karfiolsuppe für die Kinder.

Die Kellnerin sagt, dass die mazedonische Suppe _____ ist.

2. Германски (Втор странски јазик) - Општо образование

Прашање

Frau Meier sitzt mit ihrer Familie im Restaurant. Sie möchten alle Suppe essen. Die Kellnerin sagt, dass die Obstsuppe ausgezeichnet ist. Frau Maier bestellt eine Suppe aus Tomaten und Paprika für sich, eine Gulaschsuppe für ihre Schwester und eine Fleischsuppe für die Kinder.

Frau Meier bestellt für sich eine _____.

Hallo Sportfans, wir organisieren ein Tischtennis- und Tennisturnier zwischen drei Schulen. Es wird super sein. Kommt alle morgen, am Freitag, um 14 Uhr in die Turnhalle der Schumann-Realschule. **Was für ein Text ist das?**

Es klingelt. Die Stunde beginnt. Der Chemielehrer kommt. Anna hat Angst. Sie hat die letzte Lektion nicht gelernt. Gestern Abend war sie bei ihrer Freundin Maja.

Wo ist Anna jetzt?

2. Германски (Втор странски јазик) - Општо образование

Прашање

Hallo, ihr Lieben. Ich bin endlich in Paris angekommen, aber genauer erzähle ich euch davon, wenn ich zurück bin. Viele Grüße, euer Klaus. **Was für ein Text ist das?**

Es ist Juli. Jeden Sommer macht Mario mit seinen Eltern und seiner Schwester Urlaub am Mittelmeer. Sie fahren mit dem Auto und brauchen acht Stunden bis dorthin.

Mit wem fährt Mario in Urlaub?

Schöne Mädchen können auch hässlich werden. Dabei denke ich an meine Freundin Anke. Sie hatte bis vor einem Monat ein hübsches Gesicht. Aber seitdem sie ein Piercing durch die Zunge gesteckt hat, gefällt sie mir gar nicht.

Was ist das Thema des Textes?

2. Германски (Втор странски јазик) - Општо образование

Прашање

Heute ist Donnerstag, der 10. August und der vierte Tag unserer Reise. Wir haben noch zwei Tage Fahrt bis zum Ziel. Aber ich kann kaum mehr diese Schiffsreise ertragen. Von den großen Wellen ist mir ständig übel. Wenn ich jetzt tauschen könnte, ...

Wie lange dauert die ganze Schiffsreise?

Meine Eltern und ich waren oft in Italien und Griechenland. Fast jeden Sommer. Wie langweilig. Jetzt möchte ich mal was anderes machen und sehen. Ich möchte mit meinen Mitschülerinnen Urlaub machen.

Mit wem möchtest du Urlaub machen?

2. Германски (Втор странски јазик) - Општо образование

Прашање

Lieber Martin,
am 23. Mai mache ich eine Party. Dazu möchte ich dich herzlich einladen. Kannst du kommen? Ruf mich bitte bald an!

Dein Philipp

Was für ein Text ist das?

„Heute haben wir im Unterricht Bälle bekommen“, erzählt Laura ihrer Mutter.
„Jedes Kind hat nacheinander 10 kleine Bälle bekommen. Wir mussten sie in einen stehenden Behälter werfen.“

Was haben sie im Unterricht gemacht? - Sie haben _____ .

Jugendherbergen sind immer ein Erlebnis: Freizeit, Ferien, Sport und moderne, gastfreundliche Häuser. Sie sind nicht teuer! Hier treffen sich Radfahrer, Interrailer, Schulklassen usw. Die Jugendherberge ist eine deutsche Erfindung. Das war 1909 und die älteste Jugendherberge befindet sich in der Burg Altena bei Dortmund.

Wer hat die Jugendherberge erfunden? - _____

2. Германски (Втор странски јазик) - Општо образование

Прашање

Jugendherbergen sind immer ein Erlebnis: Freizeit, Ferien, Sport und moderne, gastfreundliche Häuser. Sie sind nicht teuer! Hier treffen sich Radfahrer, Interrailer, Schulklassen usw. Die Jugendherberge ist eine deutsche Erfindung. Das war 1909 und die älteste Jugendherberge befindet sich in der Burg Altena bei Dortmund.

Was liegt in der Burg Altena bei Dortmund?

Die nächsten Tagen bringen ein Gemisch aus Wolken und Sonne. Bei Temperaturen um die 19 Grad ist der Himmel morgen Vormittag noch in weiten Teilen Deutschlands bedeckt. **Der Text ist** _____.

Es klingelt. Die Stunde beginnt. Der Biologielehrer kommt. Erika hat Angst. Sie hat die letzte Lektion nicht gelernt. Gestern Abend war sie bei ihrer Freundin Marta.

Welche Lektion hat Erika nicht gelernt?

2. Германски (Втор странски јазик) - Општо образование

Прашање

Hallo Anna und Peter, endlich bin ich in Berlin angekommen, aber genauer erzähle ich euch davon, wenn ich zurück bin.
Viele Grüße,
euer Andreas.

Was für ein Text ist das?

Liebe Beate und Bernd,
dem Kleinen wünsche ich ein zufriedenes und glückliches Leben. Ich wünnsche euch viel Freude mit ihm. Ich gratuliere euch vom Herzen!

Was für ein Text ist das?

2. Германски (Втор странски јазик) - Општо образование

Прашање

Wir bitten die Gäste, folgende Punkte zu beachten:

- Im Haus darf man nur Hausschuhe tragen.
- Die Straßenschuhe muss man im Keller liegen lassen.
- Die Nachtruhe beginnt um 22.00 Uhr.

Was ist das Thema des Textes?

Anton macht eine Schiffsreise. Heute ist Freitag, der 15. August und der dritte Tag seiner Reise. Er hat noch drei Tage Fahrt bis zum Ziel. Aber er kann nicht mehr die Schiffsreise ertragen. Ihm ist von den großen Wellen schlecht.

Wie fühlt sich Anton während der Schiffsreise? - Er fühlt sich _____

2. Германски (Втор странски јазик) - Општо образование

Прашање

Martina und ihre Eltern waren oft in Griechenland. Fast jeden Sommer. Wie langweilig! Jetzt möchte sie mal was anderes machen und sehen. Sie möchte mit ihren Cousinen Urlaub machen.

Mit wem möchte Martina Urlaub machen?

Anna und Peter waren in der Bäckerei und haben mit dem alten Bäcker Alfred gesprochen. Er hat Fotos gezeigt. Früher haben die Leute nur eine Sorte Brot gekauft. Nur wenige Leute haben Brötchen gegessen. Sie waren zu teuer.

Was haben Anna und Peter in der Bäckerei gemacht?

2. Германски (Втор странски јазик) - Општо образование

Прашање

Anna und Peter waren in der Bäckerei und haben mit dem alten Bäcker Alfred gesprochen. Er hat Fotos gezeigt. Früher haben die Leute nur eine Sorte Brot gekauft. Nur wenige Leute haben Brötchen gegessen. Sie waren zu teuer.

Die Brötchen waren früher _____.

Udo soll sich heute um Viertel vor sechs mit Maria treffen. Er fährt mit dem Fahrrad in die Stadt. Dort kauft er für Maria Eis. Er wartet und wartet. Maria kommt nicht. Er ist nervös.

Wann soll Udo Maria treffen? - _____

2. Германски (Втор странски јазик) - Општо образование

Прашање

Udo soll sich heute um Viertel vor sechs mit Maria treffen. Er fährt mit dem Fahrrad in die Stadt. Dort kauft er für Maria Eis. Er wartet und wartet. Maria kommt nicht. Er ist nervös

Udo ist nervös, weil _____

Peter geht es nicht so gut. Er ist zu müde. Er lernt bis spät in die Nacht und kann morgens nicht früh aufstehen. Er weiß nicht, was er machen soll. Kannst du ihm einen Rat geben?

Was sagst du ihm?

2. Германски (Втор странски јазик) - Општо образование

Прашање

Peter geht es nicht so gut. Er lernt bis spät in die Nacht. Morgens soll er um 7 Uhr aufstehen, aber er steht erst um 10 Uhr auf.

Peter steht morgens _____ auf.

Nathalie geht es nicht gut. Sie sie müde und würde am liebsten den ganzen Tag schlafen. Bei der Arbeit im Büro kann sie sich wegen Kopfschmerzen nicht richtigkonzentrieren und alles fällt ihr so schwer.

Was für Probleme hat Nathalie? - Sie hat _____.

2. Германски (Втор странски јазик) - Општо образование

Прашање

Nathalie geht es nicht gut. Sie ist müde und würde am liebsten den ganzen Tag schlafen. Bei der Arbeit im Büro kann sie sich wegen Kopfschmerzen nicht richtig konzentrieren und alles fällt ihr so schwer.

Nathalie würde am liebsten _____ bleiben.

Leo soll sich heute um Viertel nach sechs mit Katja treffen. Er fährt mit dem Fahrrad in die Stadt. Dort kauft er für Katja Eis. Er wartet und wartet. Katja kommt nicht. Er ist nervös. Wann soll Leo Katja treffen? - _____

Leo soll sich heute um Viertel nach sechs mit Katja treffen. Er kommt mit dem Fahrrad in die Stadt. Dort kauft er für Katja Eis. Er wartet und wartet. Katja kommt nicht. Er ist nervös. **Wie kommt Leo in die Stadt?**

2. Германски (Втор странски јазик) - Општо образование

Прашање

Wollen Sie eine Woche durch Spanien reisen? Sechs Nächte in verschiedenen Städten nur für 250 EURO. Kinder bis drei Jahre fahren frei. Rufen Sie uns an unter 0452123. **Die Reise dauert _____ .**

Für die vielen Glückwünsche und Geschenke zu unserer Silberhochzeit danken wir allen Bekannten, Freunden und Verwandten ganz herzlich.
Gisela und Peter

Gisela und Petar _____ viele Glückwünsche und Geschenke.

2. Германски (Втор странски јазик) - Општо образование

Прашање

Für die vielen Glückwünsche und Geschenke zu unserer Silberhochzeit nach 25 Jahren glücklicher Ehe danken wir allen Bekannten, Freunden und Verwandten ganz herzlich.

Gisela und Peter

Gisela und Peter sind seit _____ Jahren verheiratet.

Familie Meier ist auf dem Bahnhof und wartet auf den Zug. Aber um 2 Uhr hören sie die Durchsage: „Der Zug IC 119 von München nach Nürnberg hat eine Verspätung von drei Stunden“.

Wann kommt der Zug?

2. Германски (Втор странски јазик) - Општо образование

Прашање

Jedes Jahr muss Jessica (17) in den Winterferien mit Mama und Papa in die Berge fahren. Das kann Jessica nicht mehr aushalten. Diese Ferien möchte sie alleine wegfahren, um sich endlich zu erholen.

Mit wem will Jessica diese Ferien verbringen?

Hallo Mama, ich bin bei Marina. Ich komme etwas später als gewöhnlich. Wir üben zusammen für die Mathearbeit. Bitte wasch meinen gelben Pulli, weil ich ihn morgen tragen möchte. Danke, Tamara.

Was schreibt Tamara?

2. Германски (Втор странски јазик) - Општо образование

Прашање

Hallo Mama, ich bin bei Marina. Ich komme etwas später als gewöhnlich. Wir üben zusammen für die Mathearbeit. Bitte wasch meinen gelben Pulli, weil ich ihn morgen tragen möchte. Danke, Tamara.

Wann kommt Tamara nach Hause? - Sie kommt _____ nach Hause.

In einer Woche schreibt Alex zwei Klassenarbeiten in der Schule. Aber seit zwei Tagen hat er mal wieder Schnupfen, Husten und so starke Kopfschmerzen, dass er sich überhaupt nicht konzentrieren kann.

Wie fühlt sich Alex?

In einer Woche schreibt Alex zwei Klassenarbeiten in der Schule. Aber seit zwei Tagen hat er mal wieder Schnupfen, Husten und so starke Kopfschmerzen, dass er sich überhaupt nicht konzentrieren kann.

Wann soll Alex die Klassenarbeiten machen?

2. Германски (Втор странски јазик) - Општо образование

Прашање

Das Ferienhaus liegt günstig, direkt an der Küste. Das ist super für Julian, da er ein passiver Urlaubstyp ist und nicht viel laufen will.

Was möchte Julian im Urlaub machen?

3. Германски (Прв странски јазик) - Општо образование

Прашање

Die Farbe des Himmels ist _____.

Der sechste Tag _____ ist Samstag.

Der Kopf tut mir weh. Das heißt, ich habe _____ .

3. Германски (Прв странски јазик) - Општо образование

Прашање

Schokolade ist _____.

Die Schule beginnt am _____.

Diese Jacke ist nicht lang genug. Sie ist mir zu _____ .

Diese Schuhe passen mir nicht. Sie sind mir zu _____.

Wann bist du in der Schule? - _____

Ich kaufe Lebensmittel im _____ ein.

3. Германски (Прв странски јазик) - Општо образование

Прашање

Ich möchte Englisch lernen. Ich besuche einen _____.

Wenn es regnet, nehme ich _____ mit.

Marko trinkt lieber _____ als Kaffee.

Wo kann man eine Zugfahrkarte kaufen?

Normalerweise schläft man _____.

Ich möchte tanzen lernen. Ich besuche einen _____.

3. Германски (Прв странски јазик) - Општо образование

Прашање

Meine Katze Lisa trinkt gern _____.

Kunst, Erdkunde und Geschichte sind _____.

Katja rechnet gut. Sie hat eine gute Note in _____.

Der Film ist nur für Menschen ab 21 Jahren. Der Film ist für _____.

Wer unterrichtet in der Schule?

Mach bitte die Musik leiser! Ich möchte in _____ lesen .

Mein Bruder und meine Schwester sind meine _____.

Man braucht _____ für den Füller.

3. Германски (Прв странски јазик) - Општо образование

Прашање

Die Vase steht auf dem _____.

Ich kann nicht lesen. Ich habe meine _____ vergessen.

Wir spielen Volleyball. Wir haben _____.

Im Malkasten sind 24 _____.

Peter kauft am Bahnhof eine _____ nach München, weil er dort ein Jahr bleibt.

Erdkunde heißt auch _____.

3. Германски (Прв странски јазик) - Општо образование

Прашање

Ich singe gern. Mein Lieblingsfach ist _____.

Das Auto ist _____ als das Fahrrad.

Er _____ oft fern.

Warum wird man dick? - Weil man _____ isst.

Mozart ist ein bekannter _____.

Der Arzt untersucht den _____.

3. Германски (Прв странски јазик) - Општо образование

Прашање

Der Schauspieler hat starke Muskeln. Das heißt, er ist _____ .

Die Kinder spielen auf dem _____.

Die alte Frau hat die Grippe. Sie ist _____.

Die Blumen stehen in einer _____.

Ist dein Bruder groß? - Nein, er ist sehr _____

Im Camp schläft man _____

3. Германски (Прв странски јазик) - Општо образование

Прашање

Wir sehen oft fern. Gestern haben wir einen neuen _____ gekauft.

Der Kopf tut mir weh. Das heißt, ich habe _____.

Es geht mir nicht gut. Zu Mittag habe ich zu viel gegessen. Jetzt ist mir _____.

Mir ist zu kalt. Ich glaube, ich habe _____.

Viele Eltern möchten aus ihren Kindern Stars machen. Sie schicken sie zu _____

3. Германски (Прв странски јазик) - Општо образование

Прашање

Klaus möchte in einer eigenen Miskergruppe spielen. Er hat vor kurzer Zeit eine _____ gegründet.

Im Internet kann man _____.

Mathias möchte mit dem Zug fahren. Er geht _____.

Karin mag Handarbeit und hat ein Hobby. – Sie _____ gern.

Kreuzberg ist ein _____.

Welches Essen ist typisch deutsch?

3. Германски (Прв странски јазик) - Општо образование

Прашање

Viel Alkohol zu trinken, ist viel _____.

Rolf möchte mit dem Boot eine Insel entdecken. Er ist ein _____
Junge.

Valeria feiert heute ihren 18. Geburtstag. Ab heute _____ Auto fahren. Sie bekommt von den Eltern ein Auto als Geschenk.

Im Kleiderschrank der Oma hängt Kleidung der 60er Jahre. Diese Kleidung ist so
_____ .

3. Германски (Прв странски јазик) - Општо образование

Прашање

Was _____ Martina zur Party mit? – Viele CDs.

Die Mutter von Moritz ärgert sich immer am Ende des Schuljahres über seine schlechten _____.

Jedes Land _____ seinen Nationaltag.

Karin geht oft ins Schwimmbad. Es macht ihr Spaß, _____ .

Es ist gesund, _____ zu essen.

3. Германски (Прв странски јазик) - Општо образование

Прашање

Bitte, _____ nach Dortmund!

Spinat, Wurst, Fleisch, Schnitzel. Welches Wort passt nicht?

Der Mann geht nach der Arbeit _____.

Die Musik ist _____ zu laut!

Ich bleibe drei Jahre in England. Ich will gründlich _____ lernen.

3. Германски (Прв странски јазик) - Општо образование

Прашање

Er ist wieder gesund. Es scheint, dass _____ gut wirken.

Im Meer gibt es viele _____ .

Er möchte rauchen, aber er hat sein _____ verloren.

Tim hat drei Jahre lang in den _____ gelebt.

Robert kann nicht _____ Volleyball spielen.

3. Германски (Прв странски јазик) - Општо образование

Прашање

Ich kaufe jeden Tag eine _____, weil ich gern interessante Nachrichten lesen möchte.

Der Arzt meint, du sollst drei Tage im _____ bleiben.

Im Schreibwarenladen kauft das Mädchen zwei _____.

Das _____ Claudia und Ulli.

_____ ist auf dem Foto? - Meine Oma.

_____ kommt Laura? - Aus Deutschland.

Was _____ du in der ersten Stunde?

Ist das ein Lineal? - Nein, das ist _____ Lineal. Das ist ein Bleistift.

Paul, bitte ich möchte in Ruhe _____.

3. Германски (Прв странски јазик) - Општо образование

Прашање

_____ Samstag bin ich bei Oma.

Nein, das ist _____ Realschule.

Meine Schwester _____ Englisch und Deutsch.

Wer _____ aus Köln?

Der Vogel kann _____.

Die Schüler sind draußen. Sie sind _____ .

Die Jungen treiben Sport. Sie sind _____ Turnhalle.

Neben _____ Musik hört er die Nachrichten im Radio.

3. Германски (Прв странски јазик) - Општо образование

Прашање

Sie hängt das Kleid _____ Schrank.

_____ einem Jahr habe ich diese Wohnung gekauft.

Die Katze sitzt _____ Baum.

Die Mädchen trainieren Gymnastik. Sie sind _____ Turnhalle.

Neben _____ Nachrichten sieht sie die Serien im Fernsehen.

Der Mantel hängt _____ Schrank.

3. Германски (Прв странски јазик) - Општо образование

Прашање

_____ einem Jahr wohne ich in diesem Haus.

_____ spricht gut Deutsch? - Alfred.

Anne, _____ bitte an die Tafel!

Morgen kommt der Nachbar zurück. _____ Schwester wohnt in Wien.

Kommst du _____ deinem Freund zu mir? - Nein, ich komme allein.

Hast du keine Comic-Hefte? – Doch, ich habe _____.

3. Германски (Прв странски јазик) - Општо образование

Прашање

_____ beginnt das Konzert?

Kennst du Herrn Moser? - Ja, natürlich kenne ich ____.

Das ist meine Freundin Anna. _____ möchte sehr gern chatten.

Ich wasche _____ jeden Tag.

Die Bilder hängen _____ Wand.

Wann beginnt das Schuljahr ? - _____ September.

3. Германски (Прв странски јазик) - Општо образование

Прашање

Das _____ 170 Euro.

Er liest den Text langsam, _____ er alles versteht.

Meine Schwester und ich _____ früher gern lange Haare haben.

Wo _____ Sie gestern, Herr Müller?

Das Buch liegt auf _____ Tisch.

Am Samstag fahre ich _____ Lisa.

3. Германски (Прв странски јазик) - Општо образование

Прашање

Klaus ist _____ zwei Jahren nicht mehr Schi gefahren.

Sie lesen nicht gern. Das macht _____ einfach keinen Spaß!

_____ kommt Paolo? - Aus Italien.

Ich glaube, die Brille _____ Peter.

Die Bücher stehen _____ Regal.

Ich habe _____ in einen Jungen total verliebt.

Wann kommt ihr _____ Hamburg?

3. Германски (Прв странски јазик) - Општо образование

Прашање

Wann endet das Schuljahr? - _____ Juni.

Nächsten Sommer fahren wir _____ Meer.

_____ gehört das Foto?

Meine Familie fährt morgen _____ Wiesbaden.

Das kleine Kind hat einen Hund bekommen. _____ Hund heißt John.

Das ist Todor. Ich kenne _____ gut.

Wenn ich nicht zu Fuß gehen möchte, kaufe ich _____ ein Auto.

Mein Freund spielt Gitarre. Er _____ Popmusiker werden.

Oh, nein, jetzt bin ich in den falschen Zug _____.

3. Германски (Прв странски јазик) - Општо образование

Прашање

Im Wald _____ man spazieren gehen.

Ich finde das Wochenende cool, weil man da _____ Schule hat.

Unsere Basketballspieler haben 20:19 _____.

Andrea kann gut Tennis _____ und schnell laufen.

Wie findest du den Mann? - Ich finde _____ zu dick.

Stefan hat einen Freund. _____ Freund heißt Tobias.

Herr Fritz _____ gestern in die Schweiz gefahren.

Nikolina ist nicht gut in der Schule. Aber das ist _____ egal.

_____ sieht heute im Wohnzimmer fern? – Mein Bruder.

Welches Datum ist heute?

3. Германски (Прв странски јазик) - Општо образование

Прашање

Das Zimmer von Tobias ist unordentlich. Seine Mutter sagt zu ihm: "Räume dein Zimmer auf!" Tobias _____ sein Zimmer aufräumen.

Ich interessiere mich _____ Politik.

Der Mont Blanc ist höher als die Zugspitze, aber der Mount Everest ist _____ Berg der Erde.

_____ Schauspielerin kennst du?

Ich lerne Deutsch, _____ ich in Berlin studieren will.

Mario sagt zu seiner Mutter: „Kannst du mir helfen? Ich kann _____ Pass nicht finden.“

3. Германски (Прв странски јазик) - Општо образование

Прашање

Martina hat bald Geburtstag. Was schenkst du _____ denn? – Ein Buch.

Was _____ Elenora am Samstag gemacht?

Der blaue Rock ist schick. - Was? Mit _____ Rock sehe ich altmodisch aus.

Mein Hund ist krank. Ich bringe ihn _____ Tierarzt.

Wir haben uns _____ 6 Uhr im Restaurant „Beim Schmidt“ getroffen.

Sie hat letzte Nacht lange _____.

Das ist Doris und das ist Christof. Es freut mich, dass wir uns _____ haben.

Kochst du jeden Tag? - Nein, leider nicht. Ich koche nur, _____ ich Zeit habe.

Wer bist du?

3. Германски (Прв странски јазик) - Општо образование

Прашање

Ich heiße Karin. ____ ist dein Name?

Heißt du Paul? -

Sprichst du Englisch?

Wo sind deine Eltern?

Oh, Entschuldigung Frau Meier!

Was machst du heute? - Ich _____ Biologie.

Anton wohnt in Dresden. Und du?

Wie alt ist deine Schwester?

Habt ihr heute Geschichte?

3. Германски (Прв странски јазик) - Општо образование

Прашање

Deine Idee ist gut, aber meine ist noch _____ .

Mein Mathelehrer erzählt immer Witze. - Ja, er ist sehr _____ .

Verliebst du dich oft? - _____, fast jeden Tag.

Eva ist sehr ängstlich. - Ja, _____

Mit wem sprichst du über mich?--

3. Германски (Прв странски јазик) - Општо образование

Прашање

Wenn du jeden Tag zu viel isst, dann wirst du _____ .

Sieh mal, ich habe eine neue Bluse. -

Paul macht morgen eine Party.

Wo ist denn meine Bluse?

3. Германски (Прв странски јазик) - Општо образование

Прашање

Du verstehst die Frage nicht. Wie fragst du nach? -

In dem Land, dessen Hauptstadt Rom ist, spricht man meistens _____.

Bei diesem Regen gehe ich nicht spazieren. - _____

Gehen wir spazieren? - _____

Wo ist denn nur mein Heft? - Ich _____ es nicht.

Lars, wie gefällt dir die neue Kollegin?

3. Германски (Прв странски јазик) - Општо образование

Прашање

Deutsch ist nicht so schwer zu lernen. - _____, es ist eine schwere Sprache.

Anne sieht sehr sympathisch aus. - Ja, das stimmt. Auch ich finde Anne sehr _____ .

Sag mal, wo kann ich PowerPoint lernen? Ich kann es nicht selbst lernen. - _____

3. Германски (Прв странски јазик) - Општо образование

Прашање

Martin ist sehr charmant. - Ja, er ist _____ .

Hallo Tom! - Hallo Kimi, wie geht es?

Es schneit, ich möchte im Schnee _____ gehen.

Du triffst deine Freunde. Was sagst du?

Eine TV-Sendung aus mehreren Folgen ist _____ .

3. Германски (Прв странски јазик) - Општо образование

Прашање

Der Film ist nur für Menschen ab 21 Jahren.

Wo sind deine Eltern?

Oh, Entschuldigung Frau Meier! - _____

Was machst du heute? - Ich _____ mein Lieblingsbuch.

Anton wohnt in Dresden. Und du?

Wie alt ist deine Schwester?

Habt ihr heute Kunst?

3. Германски (Прв странски јазик) - Општо образование

Прашање

Wie viele Stunden Sport habt ihr in _____?

Wie findest du Spanisch?

Mein Mathelehrer ist nett. Und deiner? - Es ist auch _____ .

Wo ist dein Englischbuch?

Wie lange hast du schon das neue Handy?

Die Antwort ist nicht richtig. **Wie kann man es anders sagen?**

Gibt es hier eine Metzgerei? - _____, hier links.

Ich habe kein Geld mehr.

3. Германски (Прв странски јазик) - Општо образование

Прашање

Machen deine Eltern dieses Jahr eine Safari?- Nein, sie haben ____ Lust dazu.

Ist der Tiger kein Wildtier?

Hamster sind niedlich.

Pflegst du deinen Hund?

Was kann ich für den Umweltschutz tun?

Wie fragt Kristina ihren Bruder nach der Uhrzeit?

Dein Vater hat viel zu tun. Was sagst du ihm?

Wie oft siehst du fern?

3. Германски (Прв странски јазик) - Општо образование

Прашање

Morgen gehen wir Tino besuchen. Kommst du mit?

Guten Abend, kann ich bitte Marta sprechen? - Nein, _____

Ich bin so schlecht in der Schule. Was soll ich machen?

Frau und Herr Schmidt müssen im Hotel schlafen. Was sagen sie an der Rezeption?

Deine Tasche ist sehr schwer. Kannst du _____ tragen?

Wollen wir draußen spielen? Wie _____ dir mein Vorschlag?

Bei diesem Regen machen wir keinen Ausflug! - _____

3. Германски (Прв странски јазик) - Општо образование

Прашање

Du triffst deinen Mathelehrer. Was sagst du ihm?

Dein Rucksack ist sehr schwer. Kannst du _____ tragen?

Hallo Inge! – Hallo Christine, wie geht's?

Du möchtest ins Café gehen und fragst deine Eltern: _____

In welchem Monat feiert man das Bierfest in München?

Morgen gehen wir zu Michaela. Kommst du mit?**Wie antwortest du?**

Guten Abend, kann ich bitte Nina sprechen? - Nein, _____

3. Германски (Прв странски јазик) - Општо образование

Прашање

Marta ist sehr müde, sie möchte schlafen. **Was soll sie machen?**

Frau und Herr Werner müssen im Hotel schlafen. **Was sagen sie an der Rezeption?**

In welchem Monat feiert man Weihnachten in Deutschland?

Die kleinen Wassertropfen, die vom Himmel zur Erde fallen, heißen _____

Herr Müller braucht ein Zimmer mit einem Bett im Hotel. **Was sagt er an der Rezeption?**

3. Германски (Прв странски јазик) - Општо образование

Прашање

Deine Freundin kann nicht mitfahren. **Was sagst du ihr?**

Ein Junge möchte einen Computer kaufen. **Was sagt er dem Verkäufer?**

„Ich glaube, du musst mit deinen Eltern sprechen.“ **Wie kann man das anders sagen?**

Die Kinder, die lange vor dem Fernseher sitzen, werden unsportlich und zu dick!
Was sollen die Kinder dagegen machen?

Dein Freund kann nicht mitfahren. **Was sagst du ihm?**

3. Германски (Прв странски јазик) - Општо образование

Прашање

Ein Mann möchte eine Fahrkarte kaufen. **Was sagt er am Schalter?**

„Meiner Meinung nach musst du mit deinen Lehrern sprechen.“ **Wie kann man das anders sagen?**

Peter hat diese Antwort bekommen: „Der Preis des Klaviers ist siebenhundert Euro.“ **Was hat Peter gefragt?**

Deine Freundin weint, weil sie eine schlechte Note in Mathe hat. Sie ist _____ .

Kannst du mir etwas Geld leihen?

Du willst ins Konzert gehen. Wie fragst du deinen Vater? - "Papa, _____ ich ins Konzert gehen?"

3. Германски (Прв странски јазик) - Општо образование

Прашање

Jeden Tag geht Petra im Park spazieren. Sie nimmt immer den Hund mit. Das ist nicht ihr Hund, sondern der von Tante Cornelia.

Petra geht _____ spazieren.

In Griechenland ist es immer warm. Das Meerwasser ist nicht schmutzig und die Leute schwimmen gern. Wir machen dort oft Campingurlaub. **Das Meerwasser in Griechenland ist _____.**

3. Германски (Прв странски јазик) - Општо образование

Прашање

Hilfe!!!!

Ich brauche Mathenachhilfe. Ich lerne nicht und habe eine schlechte Note in Mathe. Wer hilft mir? Klaus 8b

**Warum braucht Klaus
Mathenachhilfe?**

Liebe Doris,

tut mir leid, dass du im Sommer nicht zu mir kommst. Ich hatte viele Pläne:
zusammen nach Ohrid fahren, eine Party machen, neue Freunde kennen lernen.
Schade!

Liebe Grüße

Beate

Das ist _____ .

3. Германски (Прв странски јазик) - Општо образование

Прашање

Liebe Doris,

tut mir leid, dass du im Sommer nicht zu mir kommst. Ich hatte viele Pläne: zusammen nach Ohrid fahren, eine Party machen, neue Freunde kennen lernen. Schade!
Liebe Grüße
Beate

Beate ist _____, weil Doris sie nicht besuchen wird.

Tom macht morgen eine Klassenfahrt nach Wien. Alle Mitschüler fahren mit. Der Bus fährt um 08:00 Uhr ab. Treffpunkt: Schule.

Warum treffen sich die Schüler? - Weil sie _____ machen wollen.

3. Германски (Прв странски јазик) - Општо образование

Прашање

Toni ist seit zwei Wochen in München. Letztes Jahr war er in Frankfurt. Er reist oft und gern.

Wie lange ist Toni schon in München?

Julia und Jasmin suchen die Post. Sie finden den Weg nicht. Julia fragt eine Frau, Jasmin fragt einen Polizisten, der ihnen den Weg zur Post erklärt. _____ **fragt**

Julia nach dem Weg?

Julia und Jasmin suchen die Post. Sie finden den Weg nicht. Julia fragt eine Frau, Jasmin fragt einen Polizisten, der ihnen den Weg zur Post erklärt.

Die Post ist auf der _____ Seite.

3. Германски (Прв странски јазик) - Општо образование

Прашање

Mein Freund Jan möchte ein Haustier haben. Er mag die Tiere sehr. Er liest die Anzeigen jeden Tag.

Was möchte sich Jan kaufen? - Er möchte sich _____ kaufen.

Laura ist fünfzehn Jahre alt. Sie wohnt in Hamburg. Sie zeichnet und liest manchmal. Am liebsten spielt sie Gitarre und sie sieht nicht so oft fern. **Was ist ihr Lieblingshobby?**

Leo soll sich heute um Viertel nach sechs mit Katja treffen. Er fährt mit dem Fahrrad in die Stadt. Dort kauft er für Katja Schokolade. Er wartet und wartet. Katja kommt nicht. Er ist nervös.

Warum ist Leo nervös?

3. Германски (Прв странски јазик) - Општо образование

Прашање

Leo soll sich heute um Viertel nach sechs mit Katja treffen. Er fährt mit dem Fahrrad in die Stadt. Dort kauft er für Katja Schokolade. Er wartet und wartet. Katja kommt nicht. Er ist nervös. **Wann soll sich Leo mit Katja treffen?**

Liebe Mutter,
ich bin schon drei Wochen in Berlin. Das Hotel ist sehr gut und das Zimmer auch. Die Firma ist nicht sehr weit vom Hotel. Abends gehe ich ins Café.

Viele Grüße

Deine Viola

Wer schreibt den Brief?

3. Германски (Прв странски јазик) - Општо образование

Прашање

Ich warte heute um 16 vor dem Café. L.G.Peter

Was ist das?

Hallo! Ich heiße Eva, bin sechzehn Jahre alt und komme aus Wien. Ich möchte junge Leute aus aller Welt kennen lernen, die sich für Musik und Sport interessieren. Meine E-Mail ist: Eva@hotmail.**Was für ein Text ist das?**

3. Германски (Прв странски јазик) - Општо образование

Прашање

Anna hat einen Mantel gekauft. Ihr Mantel ist modern und passt ihr gut, besonders zu den Jeans. Der Mantel hat sie in einem teuren Geschäft im Stadtzentrum gekauft und er kostete 200 EURO.

Wo hat Anna den Mantel gekauft?

Im Bus gibt es ein Schild, auf dem steht: „Im Bus darf man kein Eis essen!“

Was für ein Text ist das? - Das ist _____ .

3. Германски (Прв странски јазик) - Општо образование

Прашање

Wie ich höre, Katja, du hast ein Schwesterchen bekommen. Es ist 10 Monate alt und sagt ein paar Wörter undeutlich!

Welche Sprache spricht das Kleine?

Ich verkaufe einen gebrauchten Computer,
sechs Monate alt, fast neu.
Kontaktname: Anton
Telefonnummer: 23 32 455

Was ist das?

3. Германски (Прв странски јазик) - Општо образование

Прашање

Liebe Julia,
ich habe bald Geburtstag und ich mache eine Party. Alle meine Freunde werden kommen. Ich hoffe, dass auch du kommst.
Deine Ema

Was schreibt Ema?

Das Ferienhaus liegt günstig, direkt an der Küste. Das ist super für Julian, da er ein passiver Urlaubstyp ist und nicht viel laufen will.

Was möchte Julian im Urlaub machen?

3. Германски (Прв странски јазик) - Општо образование

Прашање

Herr Gallo kommt aus Italien. Er ist 30 Jahre alt. Früher arbeitete er bei einer Firma. Seine Frau ist Büroassistentin. Sie wohnen jetzt in Deutschland und er lernt Deutsch. Herr Gallo hilft seiner Frau im Haushalt. **Was ist Herr Gallo jetzt von Beruf? - Er ist _____ .**

3. Германски (Прв странски јазик) - Општо образование

Прашање

- Was für ein Text ist das?

Frankfurt/M., den 7. Dezember 2008

Ricarda Bauer

Schillerstraße 17

79 531 Frankfurt am Main

Tel. (0651) 33 25 31

An die

Firma "Löwe"

Adenauerstraße 6

75 28 34 München

So beginnt _____.

3. Германски (Прв странски јазик) - Општо образование

Прашање

Liebe Carola,
am Samstag komme ich zurück. Hier ist das Wetter sehr schön und ich bin ganz
braun geworden. Ich freue mich auf unser Wiedersehen.

Deine Anke

Was schreibt Anke? - Sie schreibt eine _____ .

Brigitte ist zum ersten Mal in München. Dort gibt es viel zu sehen: den
Englischen Garten, das Deutsche Museum, die Nymphenburg, die Frauenkirche,
den Marienplatz, die Alte Pinakothek. **Was möchte Brigitte besichtigen? -**

3. Германски (Прв странски јазик) - Општо образование

Прашање

Herr Luca kommt aus Italien. Er ist 30 Jahre alt und er ist arbeitslos. Seine Frau ist Arzthelferin. Sie wohnen jetzt in Deutschland und er lernt Deutsch. Herr Luca hilft seiner Frau im Haushalt. **Was ist im Moment Herr Luca von Beruf? - Er ist _____ .**

Anna surft jeden Tag im Internet. Das mag sie sehr. Nur am Wochenende liest sie Zeitschriften. Sie hört nie Radio. **Wann liest Anna Zeitschriften?**

Nächste Woche macht Martins Mitschülerin Petra eine Geburtstagsparty. Sie ist sehr glücklich, weil auch Joan kommt. Sie ist in ihn verliebt. Sie träumt jede Nacht von ihm. **Wer träumt?**

3. Германски (Прв странски јазик) - Општо образование

Прашање

Nächste Woche macht Martins Mitschülerin Petra eine Geburtstagsparty. Sie ist sehr glücklich, weil auch Joan kommt. Sie ist in ihn verliebt. Sie träumt jede Nacht von ihm. **Von wem träumt Petra? - Sie träumt von _____ .**

Das Internet ist heute sehr wichtig. Im Internet kann man einkaufen, Reisen buchen ... Immer mehr junge Leute kommunizieren mit Menschen, die sie gar nicht kennen. **Was machen die jungen Leute gern im Internet? - Sie _____ .**

Ich spiele gern Schach, am liebsten mit meinem Papa. Er spielt sehr gut Schach. Er ist wirklich ein sehr guter Schachspieler. **Mit wem spielst du am liebsten Schach? - Mit meinem _____ .**

3. Германски (Прв странски јазик) - Општо образование

Прашање

Ana und Maria sind sehr gute Freundinnen. Sie gehen in dieselbe Schule, sie lernen zusammen. Aber Ana ist nie pünktlich. Maria ärgert sich immer darüber.
Worüber ärgert sich Maria? - Sie ärgert sich darüber, dass

_____ .

Liebe Ana,
ich bin so traurig. Heute ist Samstag und ich muss zu Hause bleiben. Ich darf nicht ausgehen, so sagt mein Vater. Er ärgert sich sehr, weil ich eine schlechte Note in Englisch bekommen habe.
Deine Ena

Wer ist ärgerlich?

Mein Vater steht sehr früh auf. Zuerst trinkt er Kaffee und hört Radio. Dann liest er die Zeitungen. Er sieht nie fern.
Wie informiert sich dein Vater?

3. Германски (Прв странски јазик) - Општо образование

Прашање

Die neue Schülerin ist beliebt, weil sie ihrer Mitschülerin Karla drei Äpfel schenkte. Noch drei gab sie den anderen Mädchen. Nun hat sie nur einen Apfel für sich. **Wie ist die neue Schülerin? - Sie ist _____ .**

Das Matternhorn ist ein berühmter Berg in der Schweiz. Es ist 4 478 Meter hoch und schaut wie ein Horn aus. Wenn man auf den Gipfel will, muss man gut klettern können, denn es gibt keine Seilbahn zum Gipfel. **Man kann den Gipfel erreichen, wenn man ein guter _____ ist.**

3. Германски (Прв странски јазик) - Општо образование

Прашање

Das Matterhorn ist ein berühmter Berg in der Schweiz. Es ist 4 478 Meter hoch und schaut wie ein Horn aus. Wenn man auf den Gipfel will, muss man gut klettern können, denn es gibt keine Seilbahn zum Gipfel. **Den Gipfel kann man nur _____ erreichen.**

Herr Schmidt möchte etwas Warmes trinken. Der Kellner bringt ihm die Getränkekarte. Herr Schmidt sucht ein warmes Getränk ohne Alkohol. Aber auf der Getränkekarte stehen nur alkoholische warme Getränke: Glühweine und Punsche. **Herr Schmidt möchte _____ .**

3. Германски (Прв странски јазик) - Општо образование

Прашање

Frau Meier sitzt im Restaurant und möchte eine gute Suppe essen. Die Kellnerin sagt, dass die mazedonische Suppe ausgezeichnet ist. Frau Meier bestellt für sich eine Gulaschsuppe. Sie nimmt auch eine Spinatsuppe für ihre Schwester und eine Karfiolsuppe für die Kinder. **Die Kellnerin sagt, dass die mazedonische Suppe _____ ist.**

Frau Meier sitzt mit ihrer Familie im Restaurant. Sie möchten alle Suppe essen. Die Kellnerin sagt, dass die Obstsuppe ausgezeichnet ist. Frau Meier bestellt eine Suppe aus Tomaten und Paprika für sich, eine Gulaschsuppe für ihre Schwester und eine Fleischsuppe für die Kinder.

Frau Meier bestellt für sich eine _____.

3. Германски (Прв странски јазик) - Општо образование

Прашање

Hallo Sportfans,
wir organisieren ein Tischtennis- und Tennisturnier zwischen drei Schulen. Es wird super sein. Kommt alle morgen, am Freitag, um 14 Uhr in die Turnhalle der Schumann-Realschule.

Was für ein Text ist das?

Es klingelt. Die Stunde beginnt. Der Chemielehrer kommt. Anna hat Angst. Sie hat die letzte Lektion nicht gelernt. Gestern Abend war sie bei ihrer Freundin Maja. **Wo ist Anna?**

3. Германски (Прв странски јазик) - Општо образование

Прашање

Hallo, ihr Lieben, endlich bin ich in Paris angekommen, aber genauer erzähle ich euch davon, wenn ich zurück bin. Viele Grüße, euer Klaus.

Was für ein Text ist das?

Es ist Juli. Jeden Sommer macht Mario mit seinen Eltern und seiner Schwester Urlaub am Mittelmeer. Sie fahren mit dem Auto und brauchen acht Stunden bis dorthin. **Mit wem fährt Mario in Urlaub?**

Schöne Mädchen können auch hässlich werden. Dabei denke ich an meine Freundin Anke. Sie hatte bis vor einem Monat ein hübsches Gesicht. Aber seitdem sie ein Piercing durch die Zunge gesteckt hat, gefällt sie mir gar nicht. **Was ist das Thema des Textes?**

3. Германски (Прв странски јазик) - Општо образование

Прашање

Heute ist Donnerstag, der 10. August und der vierte Tag unserer Reise. Wir haben noch zwei Tage Fahrt bis zum Ziel. Aber ich kann kaum mehr diese Schifffreise ertragen. Von den großen Wellen ist mir ständig übel. Wenn ich jetzt tauschen könnte, ...

Wie lange dauert die ganze Schifffreise?

Meine Eltern und ich waren oft in Italien und Griechenland. Fast jeden Sommer. Wie langweilig. Jetzt möchte ich mal was anderes machen und sehen. Ich möchte mit meinen Mitschülerinnen Urlaub machen. **Mit wem möchtest du Urlaub machen?**

3. Германски (Прв странски јазик) - Општо образование

Прашање

Lieber Martin,

am 23. Mai mache ich eine Party. Dazu möchte ich dich herzlich einladen. Kannst du kommen? Ruf mich bitte bald an!

Dein Philipp

Was für ein Text ist das?

3. Германски (Прв странски јазик) - Општо образование

Прашање

„Heute haben wir im Unterricht Bälle bekommen“, erzählt Laura ihrer Mutter.
„Jedes Kind hat nacheinander 10 kleine Bälle bekommen. Wir mussten sie in einen stehenden Behälter werfen.“

Was haben sie im Unterricht gemacht? - Sie haben _____ .

Jugendherbergen sind immer ein Erlebnis: Freizeit, Ferien, Sport und moderne, gastfreundliche Häuser. Sie sind nicht teuer! Hier treffen sich Radfahrer, Interrailer, Schulklassen usw. Die Jugendherberge ist eine deutsche Erfindung. Das war 1909. Die älteste Jugendherberge befindet sich in der Burg Altena bei Dortmund. **Wer hat die Jugendherberge erfunden? - _____.**

3. Германски (Прв странски јазик) - Општо образование

Прашање

Jugendherbergen sind immer ein Erlebnis: Freizeit, Ferien, Sport und moderne, gastfreundliche Häuser. Sie sind nicht teuer! Hier treffen sich Radfahrer, Interrailer, Schulklassen usw. Die Jugendherberge ist eine deutsche Erfindung. Das war 1909. Die älteste Jugendherberge befindet sich in der Burg Altena bei Dortmund. **Was liegt in der Burg Altena bei Dortmund?**

Die nächsten Tagen bringen ein Gemisch aus Wolken und Sonne. Bei Temperaturen um die 19 Grad ist der Himmel morgen Vormittag noch in weiten Teilen Deutschlands bedeckt. **Der Text ist _____.**

Es klingelt. Die Stunde beginnt. Der Biologielehrer kommt. Erika hat Angst. Sie hat die letzte Lektion nicht gelernt. Gestern Abend war sie bei ihrer Freundin Marta. **Welche Lektion hat Erika nicht gelernt?**

3. Германски (Прв странски јазик) - Општо образование

Прашање

Hallo Anna und Peter, endlich bin ich in Berlin angekommen, aber genauer erzähle ich euch davon, wenn ich zurück bin.
Viele Grüße,
euer Andreas.

Was für ein Text ist das?

Liebe Beate und Bernd,
dem Kleinen wünsche ich ein zufriedenes und glückliches Leben. Ich wünnsche euch viel Freude mit ihm. Ich gratuliere euch vom Herzen!

Was für ein Text ist das?

3. Германски (Прв странски јазик) - Општо образование

Прашање

Wir bitten die Gäste, folgende Punkte zu beachten:

- Im Haus darf man nur Hausschuhe tragen.
- Die Straßenschuhe muss man im Keller liegen lassen.
- Die Nachtruhe beginnt um 22.00 Uhr.

Was ist das Thema dieses Textes?

Anton macht eine Schiffsreise. Heute ist Freitag, der 15. August und der dritte Tag seiner Reise. Er hat noch drei Tage Fahrt bis zum Ziel. Aber er kann nicht mehr die Schiffsreise ertragen. Ihm ist von den großen Wellen schlecht. **Wie fühlt sich Anton während der Schiffsreise? - Er fühlt sich _____**

3. Германски (Прв странски јазик) - Општо образование

Прашање

Martina und ihre Eltern waren oft in Griechenland. Fast jeden Sommer. Wie langweilig. Jetzt möchte sie mal was anderes machen und sehen. Sie möchte mit ihren Cousinen Urlaub machen. **Mit wem möchte Martha Urlaub machen?**

Anna und Peter waren in der Bäckerei und haben mit dem alten Bäcker Alfred gesprochen. Er hat Fotos gezeigt. Früher haben die Leute nur eine Sorte Brot gekauft. Nur wenige Leute haben Brötchen gegessen. Sie waren zu teuer.

Was haben Anna und Peter in der Bäckerei gemacht? _____

3. Германски (Прв странски јазик) - Општо образование

Прашање

Anna und Peter waren in der Bäckerei und haben mit dem alten Bäcker Alfred gesprochen. Er hat Fotos gezeigt. Früher haben die Leute nur eine Sorte Brot gekauft. Nur wenige Leute haben Brötchen gegessen. Sie waren zu teuer. **Die Brötchen waren früher _____.**

Udo soll sich heute um Viertel vor sechs mit Maria treffen. Er fährt mit dem Fahrrad in die Stadt.
Dort kauft er für Maria Eis. Er wartet und wartet. Maria kommt nicht. Er ist nervös.

Wann soll Udo Maria treffen?

4. Електротехника - Стручно образование

Прашање

Што е наелектризирано тело?

Како е наелектризиран електронот?

4. Електротехника - Стручно образование

Прашање

Која е единица мерка за количество електрицитет во SI системот?

Колкав е бројот на слободните електрони кај проводните материјали?

Каква сила се јавува помеѓу две позитивно наелектризирани тела?

Ако на едно тело му одземеме 100 електрони, тоа тело ќе биде:

Како се наелектризирани две тела ако помеѓу нив се јавува привлечна сила?

Првото тело е наелектризирано со количество електрицитет од 20 mC, а второто тело е наелектризирано со количество електрицитет од 20 μ C. Кое тело е повеќе наелектризирано?

На првото тело му се додадени 200 електрони, а од второто се одземени 2000 електрони. Каква сила се јавува помеѓу нив?

Првата топка е од проводен материјал и е наелектризирана со позитивно количество електрицитет. Од каков материјал треба да биде направена втората топка за да помеѓу нив се јави привлечна сила?

Како се нарекува влијанието на наелектризираното тело на околината?

Електростатско поле се означува со:

Која е единица мерка за електростатско поле во SI системот?

Каква големина е електростатското поле?

4. Електротехника - Стручно образование

Прашање

Што е електричен напон помеѓу точките А и В (U_{AB})?

Електричен напон се означува со:

Единица мерка за електричен напон во SI системот е:

Единица мерка за електричен потенцијал во SI системот е:

Единица мерка за електростатска сила во SI системот е:

Електростатска сила се означува со:

Систем од две проводни тела, наелектризирани со исто количество електрицитет, а спротивно по знак, кои се поставени на мало растојание и се раздвоени со диелектрик е:

Со која формула се пресметува капацитивност на кондензатор?

Кои својства на материјалот ги покажува диелектричната константа?

Диелектричната константа на материјалот се означува со:

Диелектричната константа на воздух или вакуум се означува со:

Релативна диелектричната константа на материјалот се означува со:

4. Електротехника - Стручно образование

Прашање

Која е единица мерка за диелектрична константа на воздух или вакуум во SI системот?

Која е единица мерка за релативна диелектрична константа на материјалот во SI системот?

Еквипотенцијална површина е површина формирана од точки со:

Две точки наелектризирани тела наелектризирани се со количество електрицитет од $20 \mu\text{C}$ и $200 \mu\text{C}$. Каква сила се јавува помеѓу нив?

Како е насочен векторот на електростатско поле во некоја точка во околината на негативно наелектризирано тело ?

Што ќе се случи со електростатската сила помеѓу две наелектризирани тела ако се намали растојанието помеѓу нив?

Електростатското поле во близина на голема рамна плоча е:

На сликата е прикажан векторот на електростатско поле од точкаст полнеж во една точка во околниот простор. Како е наелектризиран полнежот?

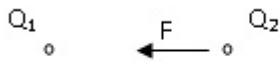


4. Електротехника - Стручно образование

Прашање

Телото е наелектризирано со негативно количество електрицитет. Која слика го покажува векторот на електростатско поле во одбраната точка во просторот?

Два точкасти полежи поставени се како на сликата, и прикажан е векторот на силата која делува на Q_2 . Ако Q_1 е наелектризирано позитивно, како е наелектризирано второто тело?



Која формула се употребува за пресметување на капацитивност на плочест кондензатор ?

Што е исто кај два сериски поврзани кондензатори со различни капацитивности?

Како ќе се смени капацитивноста на кондензаторот ако се намали растојанието помеѓу плочите на кондензаторот?

Како ќе се смени капацитивноста на кондензаторот ако се намали плоштината на плочите на кондензаторот?

Како ќе се смени капацитивноста на кондензаторот ако помеѓу плочите на кондензаторот се стави диелектрик со помала диелектрична константа?

Како се поврзани кондензаторите ако напонот на кондензаторите е ист?

Формулата $C=C_1+C_2$ се употребува за пресметување на еквивалентна капацитивност на два кондензатори кои се поврзани:

4. Електротехника - Стручно образование

Прашање

Која формула ќе се употреби за пресметување на еквивалентната капацитивност за кондензаторите на сликата?



Електростатското поле во точка А на растојание од 10 mm од точкаст полнеж е 20 V/m. Колку ќе изнесува електростатското поле во точка В која е на растојание од 20 mm од точкастиот полнеж?

Електростатското поле во точка А на растојание од 10 mm од точкаст полнеж наелектризиран со количество електрицитет од 100 μC , е 20 V/m. Колку ќе изнесува електростатското поле во точката А ако количеството електрицитет се зголеми на 200 μC ?

Електростатското поле во точка С на растојание од 20 mm од точкаст полнеж, поставен во воздух, е 20 V/m. Колку ќе изнесува електростатското поле во точката С ако точкастиот полнеж се постави во масло чија релативна диелектрична константа е 10?

Силата помеѓу два точкасти полнежи поставени во воздух е 60 N. Колкава ќе биде силата ако растојанието помеѓу нив се намали два пати?

Силата помеѓу два точкасти полнежи поставени во воздух е 60 N. Колкава ќе биде силата меѓу нив, ако точкастите полнежи се постават во масло чија релативна диелектрична константа е 5?

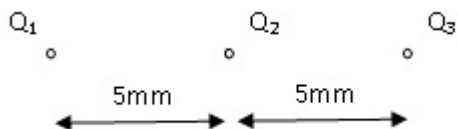
Силата помеѓу два точкасти полнежи поставени во воздух е 10 N. Колкава ќе биде силата меѓу нив, ако количеството електрицитет на првиот точкаст полнеж се зголеми 3 пати, а количеството електрицитет на вториот точкаст полнеж не се промени?

4. Електротехника - Стручно образование

Прашање

Силата помеѓу два точкасти полнежи поставени во воздух е 18 N. Колкава ќе биде силата ако количеството електрицитет на првиот точкаст полнеж се зголеми 3 пати, а количеството електрицитет на вториот полнеж се намали три пати?

Три точкасти полнежи поставени се како на сликата. Првото и третото тело се наелектризирани со исто количество електрицитет од 50 nC . Ако второто тело е наелектризирано со два пати поголемо количество електрицитет, силата која делува на второто тело е

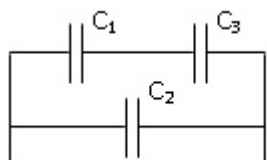


Капацитивноста на 10 исти кондензатори е 20 μF . Колкава е еквивалентната капацитивност ако кондензаторите се поврзани паралелно?

Капацитивноста на 20 исти кондензатори е 100 pF. Колкава е еквивалентната капацитивност ако кондензаторите се поврзани редно?

Капацитивноста на плочаст кондензатор е 50 nF. Количеството електрицитет со кој е наелектризиран кондензаторот е 100 pC. Колку изнесува напонот на кондензаторот?

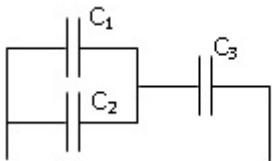
Кондензаторите на сликата имаат иста капацитивност од 30 μF . Колкава е еквивалентната капацитивност?



4. Електротехника - Стручно образование

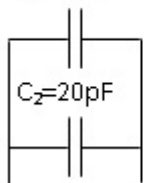
Прашање

Кондензаторите на сликата имаат иста капацитивност од $30\ \mu\text{F}$. Колкава е еквивалентната капацитивност?



Колкаво е количеството електрицитет на вториот кондензатор, ако првиот е оптоварен со количество електрицитет од $60\ \text{pC}$?

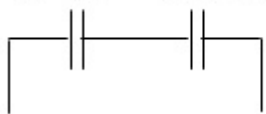
$$C_1 = 10\ \text{pF}$$



Колкав е напонот на првиот кондензатор, ако напонот на вториот кондензатор е $4\ \text{mV}$?

$$C_1 = 50\ \text{nF}$$

$$C_2 = 25\ \text{nF}$$



Струјата е постојана ако:

Еднонасочна струја претставува:

Количество електрицитет кое поминува низ напречен пресек на проводник за време од една секунда е:

Што е густина на струја?

4. Електротехника - Стручно образование

Прашање

Со која буква се означува јачина на електрична струја?

Со која буква се означува густина на електрична струја?

Која е единица мерка за јачина на електрична струја во SI системот?

Која е единица мерка за густина на електрична струја во SI системот?

Со која буква се означува електромоторна сила на генератор?

Која е единица мерка за електромоторна сила на генератор во SI системот?

Со која буква се означува електрична отпорност?

Која е единица мерка за електрична отпорност во SI системот?

Со која буква се означува електрична проводност?

Која е единица мерка за електрична проводност во SI системот?

Со која буква се означува специфична електрична отпорност?

Која е единица мерка за специфична електрична отпорност во SI системот?

4. Електротехника - Стручно образование

Прашање

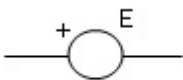
Со која буква се означува специфична електрична проводност?

Која е единица мерка за специфична електрична проводност во SI системот?

Со која буква се означува електрична моќност?

Која е единица мерка за електрична моќност во SI системот?

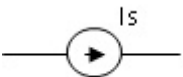
На сликата е покажан симбол за:



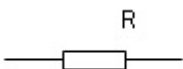
На сликата е покажан симбол за:



На сликата е покажан симбол за:



На сликата е покажан симбол за:



Со која формула е искажан Омов закон?

4. Електротехника - Стручно образование

Прашање

Кои елементи треба да ги има во едно коло за да низ него тече струја?

Со која формула е искажан Џулов закон?

Што е јазол во електрично коло?

Што е просто електрично коло?

Што е сложено електрично коло?

Колку струи течат во просто електрично коло?

Што се случува со отпорноста на отпорник ако му се зголемува температурата?

Како гласи Прв Кирхофов закон?

Со формулата $\sum I = 0$ е претставен:

Со формулата $\sum E = \sum R \cdot I$ е претставен:

Која е техничката насока на струјата?

4. Електротехника - Стручно образование

Прашање

Волтметар се употребува за:

Амперметар се употребува за:

Како се приклучува волтметар за да се измери напон на потрошувачот?

Како се приклучува амперметар за да се измери јачина на струја која тече низ потрошувачот?

Која формула се употребува за пресметување на електрична моќност на отпорник?

Кога два отпорници се поврзани сериски?

Кога два отпорници се поврзани паралелно?

Која формула се употребува за пресметување на еквивалентна отпорност на два сериски поврзани отпорници?

Која формула се употребува за пресметување на еквивалентна отпорност на два паралелно поврзани отпорници?

За да се пресметаат сите струи во едно сложено електрично коло, најповолно е да се употреби:

Од што зависи колку контури ќе се постават за да се реши сложено коло со метод на независни контурни струи?

За да се пресмета една струја во едно сложено електрично коло, најповолно е да се употреби

4. Електротехника - Стручно образование

Прашање

Кои се елементите на Тевененовиот генератор?

Како се формира колото со Тевененовиот генератор?

Како ќе се смени јачината на струјата што тече низ проводник, ако количеството електрицитет кое поминува низ проводникот за истото време, се зголеми?

Низ кое од дадените кола може да тече струја?

Во кое од дадените кола е означена техничката насока на струјата?

Какво е колото ако низ сите елементи од едно коло тече иста струја?

Кое од дадените кола е просто електрично коло?

Отпорник со отпорност од 16Ω приклучен е на напон од $8 V$. Колку изнесува јачината на струјата која што тече низ отпорникот?

Низ отпорник со отпорност од 6Ω тече струја од $4 mA$. Колку изнесува напонот на кој е приклучен отпорникот?

Низ отпорник со отпорност од 16Ω тече струја од $2 A$. Колку изнесува моќноста на отпорникот?

Низ отпорник со отпорност кој е приклучен на напон од $20 V$, тече струја од $4 mA$. Колку изнесува отпорноста на отпорникот?

4. Електротехника - Стручно образование

Прашање

Ако отпорноста на отпорникот изнесува $10\text{ k}\Omega$, колкава е проводноста?

Ако проводноста на отпорникот изнесува 10 S , колкава е отпорноста?

Бакарна жица со должина од 5 m има отпорност од $2\ \Omega$. Колкава ќе биде отпорноста на жицата ако должината се намали на половина?

Бакарна жица со должина од 15 m и плоштина на напречен пресек од 10 mm^2 има отпорност од $12\ \Omega$. Колкава ќе биде отпорноста на жицата ако плоштината на напречниот пресек се намали на половина?

Проводник од алуминиум со отпорност од $5\ \Omega$ се загреал. Како се менува неговата отпорност?

Ако отпорноста на проводникот се зголемила два пати, тогаш, неговата проводност:

Ако проводноста на проводникот се зголемила пет пати, тогаш, неговата отпорност:

Отпорник со отпорност од $5\text{ k}\Omega$ редно е поврзан со отпорник со отпорност од $20\text{ k}\Omega$. Колкава ќе биде еквивалентната отпорност?

Отпорник со отпорност од $30\ \Omega$ паралелно е поврзан со отпорник со отпорност од $60\ \Omega$. Колкава ќе биде еквивалентната отпорност?

Колкава ќе биде еквивалентната отпорност на 20 сериски поврзани отпорници со иста отпорност од $40\ \Omega$?

4. Електротехника - Стручно образование

Прашање

Колкава ќе биде еквивалентната отпорност на 10 паралелно поврзани отпорници со иста отпорност од 40Ω ?

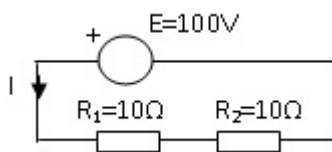
Три отпорници со различна отпорност поврзани се сериски. Јачината на струјата што тече низ првиот отпорникот е 6 А. Колкава е јачината на струјата што тече низ вториот отпорник?

Два отпорници со различна отпорност поврзани се паралелно. Колкав ќе биде напонот на вториот отпорник, ако напонот на првиот отпорник е 4V?

Во просто коло се поврзани батерија и два потрошувачи. Ако јачината на струјата што тече низ вториот потрошувач е 10 mA, тогаш, јачината на струјата што тече низ првиот отпорник е:

Во просто коло се поврзани еднонасочен напонски генератор и три потрошувачи. Ако јачината на струјата што тече низ вториот потрошувач е 20 mA, тогаш, јачината на струјата што тече низ третиот потрошувач е:

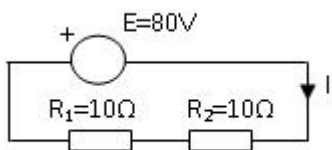
Колкава е јачината на струјата I во колото на сликата?



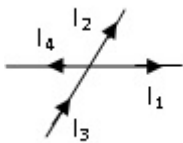
4. Електротехника - Стручно образование

Прашање

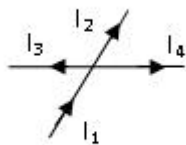
Колкава е јачината на струјата I во колото на сликата?



Која равенка претставува Прв Кирхофов закон за јазолот на сликата?



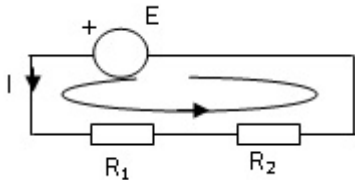
Со која равенка е претставен Прв Кирхофов закон за јазолот на сликата?



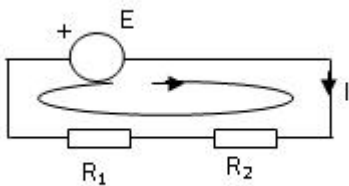
4. Електротехника - Стручно образование

Прашање

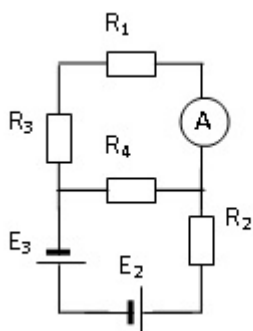
Која равенка претставува Втор Кирхофов закон за контурата на сликата?



Со која равенка е претставен Вториот Кирхофов закон за контурата на сликата?



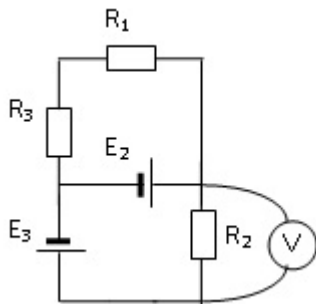
Амперметарот на сликата ја мери јачината на струјата што тече низ кој елемент?



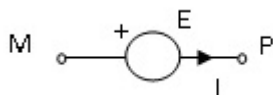
4. Електротехника - Стручно образование

Прашање

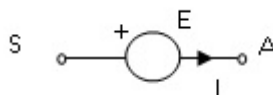
Волтметарот на сликата го мери напонот на:



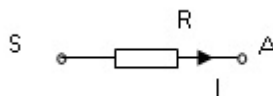
На што е еднаков напонот U_{MP} на сликата?



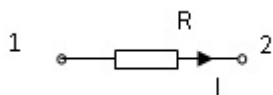
На што е еднаков напонот U_{AS} на сликата?



На што е еднаков напонот U_{SA} на сликата?



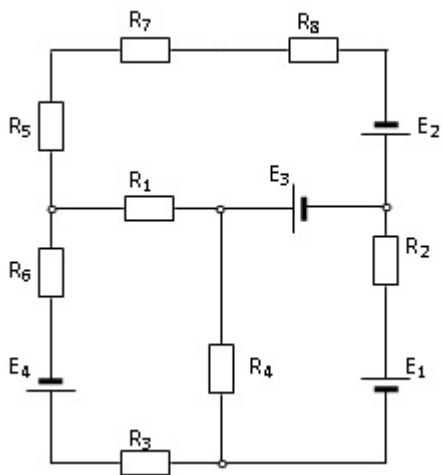
На што е еднаков напонот U_{21} на сликата?



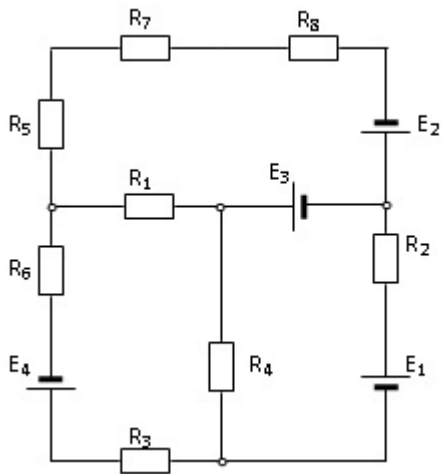
4. Електротехника - Стручно образование

Прашање

Колку гранки има во колото на сликата?



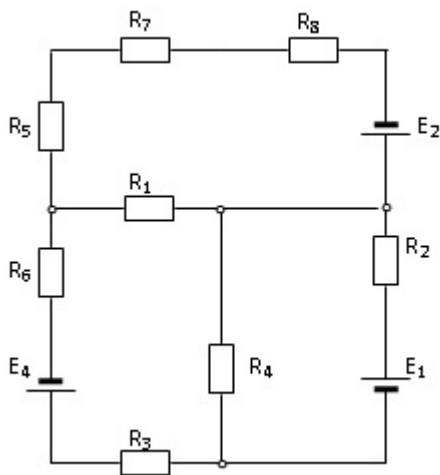
Колку јазли има во колото на сликата?



4. Електротехника - Стручно образование

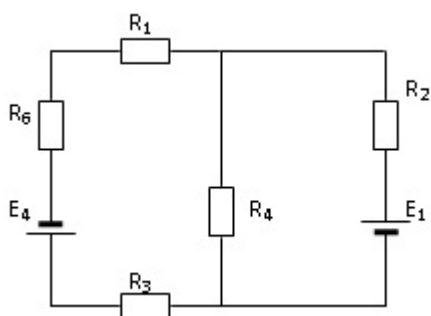
Прашање

Колку јазли има во колото на сликата?



Со која формула ќе се пресмета колку контури се потребни за да се употреби метод на независни контурни струи за решавање на сложено електрично коло?

За колото на сликата, колку независни контури е потребно да се постават за да се употреби метод на независни контурни струи?



Кое од следните кола се користи за примена на Тевененова теорема за пресметување на јачина на струја низ отпорникот R_1 кој е дел од сложено електрично коло?

4. Електротехника - Стручно образование

Прашање

Како се пресметува електромоторната сила на еквивалентниот Тевененов генератор?

Како се пресметува отпорноста на еквивалентниот Тевененов генератор?

Потенцијалот во точката К е 23 V, а потенцијалот во точката М е 18 V. Напонот меѓу точките има вредност:

Колкава ќе биде јачината на струјата ако низ напречен пресек на проводник за време од 2 минути помине количество електрицитет од 240 mC?

Просто електрично коло е составено од редна врска на генератор и два отпорника со отпорности од 5 Ω и 10 Ω . Напонот на првиот отпорник е 10 V. Колкава ќе биде јачината на струјата која тече низ вториот отпорник?

Просто електрично коло е составено од сериска врска на генератор и два потрошувачи со отпорности од 20 Ω и 10 Ω . Напонот на првиот отпорник е 40 V. Колкава ќе биде моќноста на вториот отпорник?

Отпорник со отпорност од 16 Ω има моќност од 1,6 kW. Колку изнесува јачината на струјата која што тече низ него?

Низ отпорник со моќност од 160 W тече струја од 4 A. Колку изнесува проводноста на отпорникот?

Низ отпорник со проводност од 0,2 S тече струја од 2 A.. Колку изнесува моќноста на отпорникот?

4. Електротехника - Стручно образование

Прашање

Проводник од сребро со специфична електрична отпорност од $0,016 \Omega \text{mm}^2 / \text{m}$, со должина од 100 m, има напречен пресек со плоштина од 25mm^2 . Колку изнесува отпорноста на отпорникот?

Специфичната електрична отпорност на материјалот од кој е направен проводникот е $0,05 \Omega \text{mm}^2 / \text{m}$. Колкава е специфичната електрична проводност?

Отпорник со отпорност од 16Ω има моќност од 1,6 kW. Колку изнесува напонот на кој е приклучен отпорникот?

Бакарна жица со должина од 5 m има отпорност од 2Ω . Колкава ќе биде проводноста на жицата ако должината се намали на половина?

Проводник со должина од 15 m и плоштина на напречен пресек од 10mm^2 има проводност од $0,1 \text{ S}$. Колкава ќе биде отпорноста на жицата ако плоштината на напречниот пресек се намали на половина?

Проводник од алуминиум со отпорност од 5Ω се загреал. Што се случува со неговата проводност?

Како ќе се смени моќноста на проводник, ако неговата отпорност се зголемила два пати?

Како ќе се смени моќноста на проводник, ако неговата проводност се зголемила пет пати?

4. Електротехника - Стручно образование

Прашање

Отпорник со отпорност од 5Ω редно е поврзан со отпорник со проводност од $0,1 \text{ S}$. Колкава ќе биде еквивалентната отпорност?

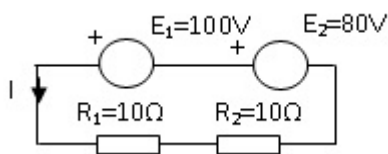
Отпорник со проводност од $0,1 \text{ S}$ паралелно е поврзан со отпорник со отпорност од 10Ω . Колкава ќе биде еквивалентната отпорност?

Редно се поврзани 6 потрошувачи со иста отпорност од 10Ω , кои се приклучени на напон од 120 V . Колкава е јачината на струјата која тече низ потрошувачите?

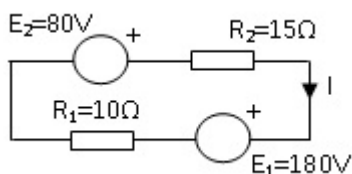
Паралелно се поврзани 5 потрошувачи со иста отпорност од 10Ω , кои се приклучени на напон од 100 V . Колкава е јачината на струјата која тече низ секој од потрошувачите?

Три отпорници со иста отпорност од 10Ω поврзани се паралелно. Јачината на струјата што тече низ првиот отпорник е 6 A . Колкава е моќноста на вториот отпорник?

Колкава е јачината на струјата I во колото на сликата?



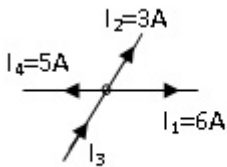
Колкава е јачината на струјата I во колото на сликата?



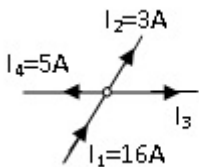
4. Електротехника - Стручно образование

Прашање

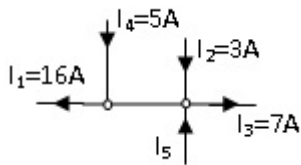
Колкава е јачината на струјата I_3 ?



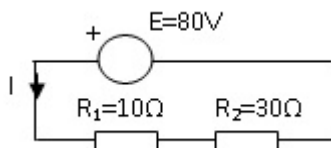
Колкава е јачината на струјата I_3 ?



Колкава е јачината на струјата I_5 ?



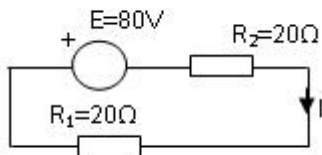
Колкава е моќноста на отпорникот R_1 поврзан во колото дадено на сликата?



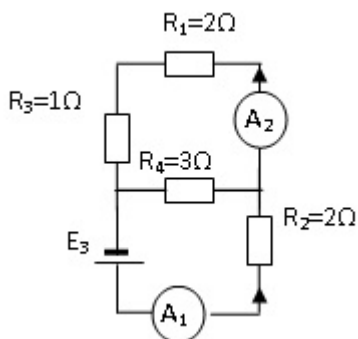
4. Електротехника - Стручно образование

Прашање

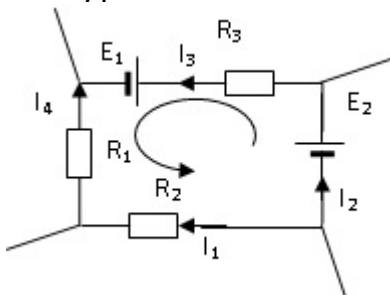
Колкава е моќноста на отпорникот R_2 поврзан во колото дадено на сликата?



Амперметарот A_1 поврзан во колото дадено на сликата покажува вредност од 5 A, а амперметарот A_2 покажува вредност од 4 A. Колку изнесува напонот на отпорникот R_4 ?



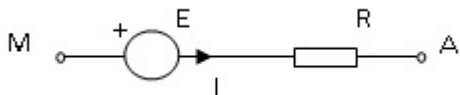
Која од равенките го покажува Вториот Кирхофов закон за дадената контура?



4. Електротехника - Стручно образование

Прашање

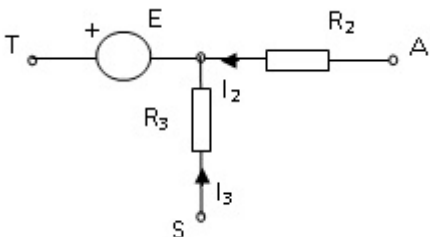
Напонот U_{MA} на сликата е еднаков на:



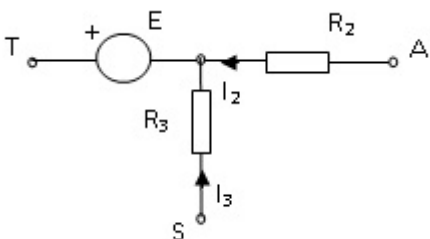
Напонот U_{AS} на сликата е еднаков на:



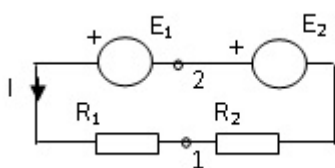
Напонот U_{SA} на сликата е еднаков на:



Напонот U_{TS} на сликата е еднаков на:



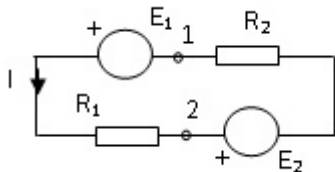
Која формула го прикажува напонот U_{12} во колото дадено на сликата?



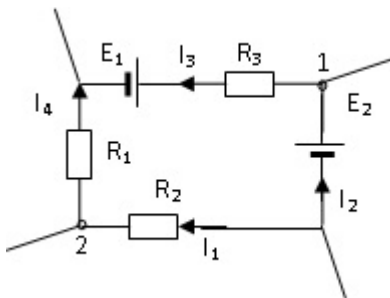
4. Електротехника - Стручно образование

Прашање

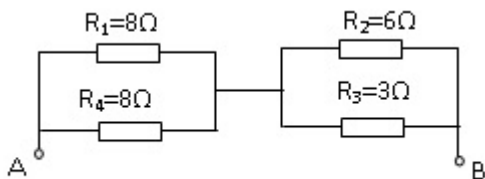
Која формула го прикажува напонот U_{12} во колото дадено на сликата?



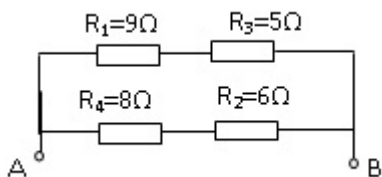
Која формула го прикажува напонот U_{21} во делот од колото дадено на сликата?



Колку изнесува еквивалентната отпорност R_{AB} за колото на сликата?



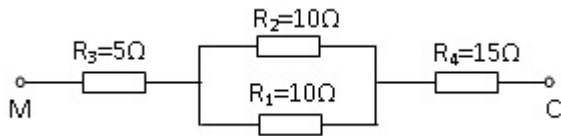
Колку изнесува еквивалентната отпорност R_{AB} за колото на сликата?



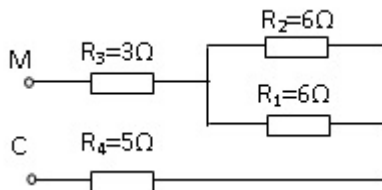
4. Електротехника - Стручно образование

Прашање

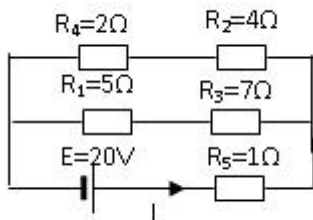
Колку изнесува еквивалентната отпорност R_{MC} за колото на сликата?



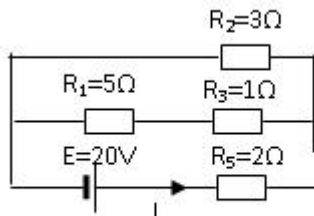
Колку изнесува еквивалентната отпорност R_{MC} за колото на сликата?



Колку изнесува јачината на струјата I во колото?



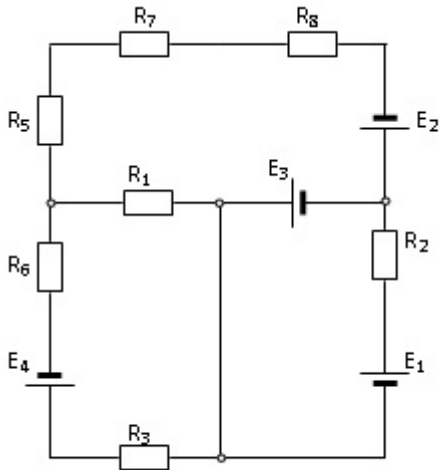
Колку изнесува јачината на струјата I во колото?



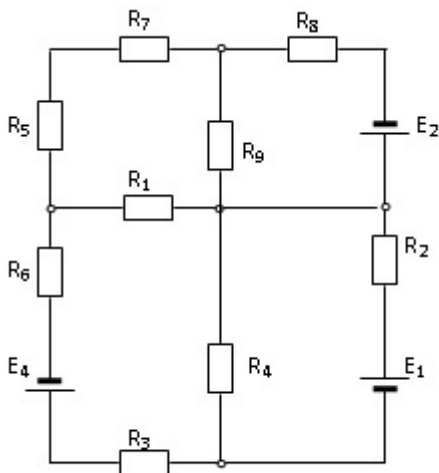
4. Електротехника - Стручно образование

Прашање

За колото на сликата, колку независни контури е потребно да се постават за да се употреби метод на независни контурни струи?



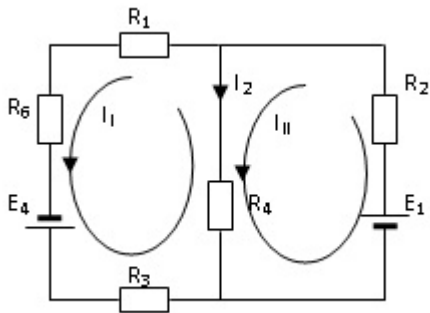
За колото на сликата, колку независни контури е потребно да се постават за да се употреби метод на независни контурни струи?



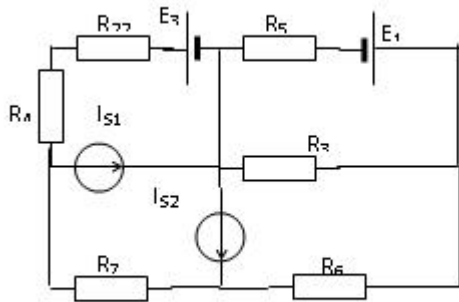
4. Електротехника - Стручно образование

Прашање

За колото на сликата, како ќе се пресмета струјата I_2 ако се познати контурните струи I_I и I_{II} определени со примена на метод на независни контурни струи ?



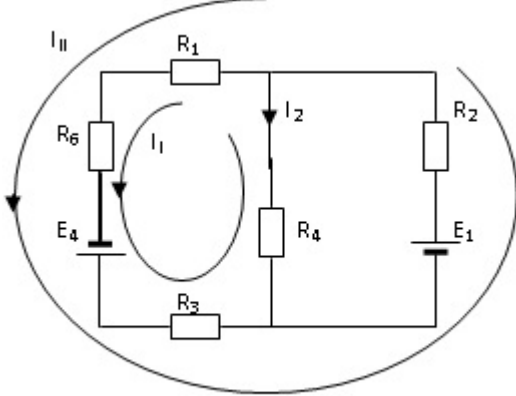
За колото на сликата, колку основни равенки можат да се напишат според метод на независни контурни струи ?



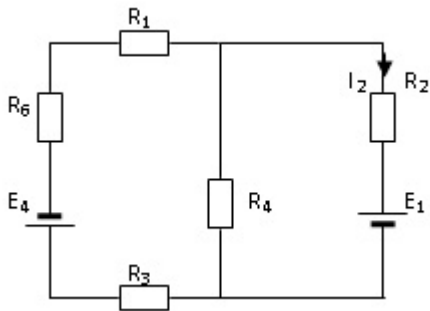
4. Електротехника - Стручно образование

Прашање

За колото на сликата, како ќе се пресмета струјата I_2 ако се познати контурните струи I_I и I_{II} определени со примена на метод на независни контурни струи ?



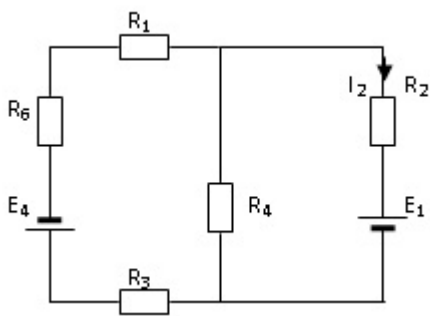
За колото на сликата, кое од дадените кола се користи за примена на Тевененова теорема за пресметување на јачина на струја низ отпорникот R_2 ?



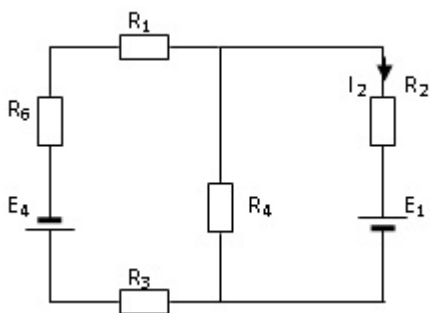
4. Електротехника - Стручно образование

Прашање

За колото на сликата, кое од следните кола се користи за определување на електромоторната сила на еквивалентниот Тевененов генератор, при пресметување на јачина на струја низ отпорникот R_2 ?



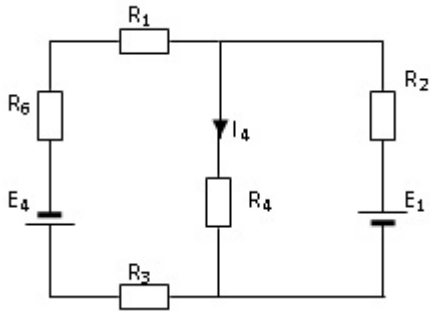
За колото на сликата, кое од следните кола се користи за определување на отпорноста на еквивалентниот Тевененов генератор, при пресметување на јачина на струја низ отпорникот R_2 ?



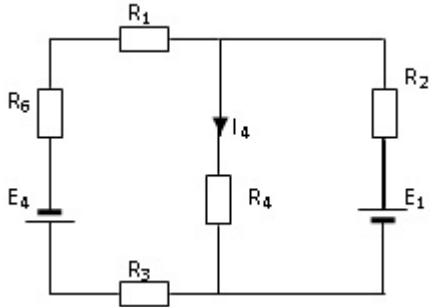
4. Електротехника - Стручно образование

Прашање

За колото на сликата, кое од следните кола се користи за примена на Тевененова теорема за пресметување на јачина на струја низ отпорникот R_4 ?



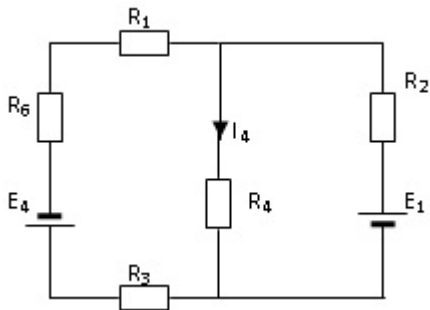
За колото на сликата, определи кое од дадените кола се користи за определување на електромоторната сила на еквивалентниот Тевененов генератор, при пресметување на јачина на струја низ отпорникот R_4 ?



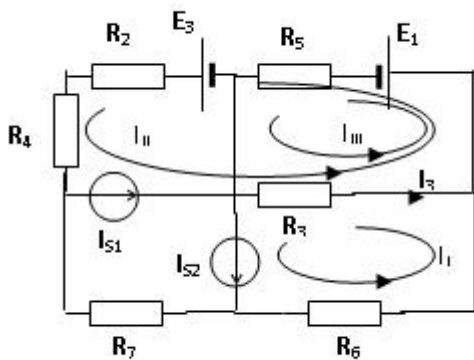
4. Електротехника - Стручно образование

Прашање

За колото на сликата, определи кое од дадените кола се користи за определување на отпорноста на еквивалентниот Тевененов генератор, при пресметување на јачина на струја низ отпорникот R_4 ?



За колото на сликата, како ќе се пресмета струјата I_3 ако се познати контурните струи I_I , I_{II} и I_{III} определени со примена на метод на независни контурни струи ?



4. Електротехника - Стручно образование

Прашање

За да се пресмета моќноста на отпорник со отпорност R во една гранка на сложено електрично коло, пресметани се електромоторната сила и отпорноста на еквивалентниот Тевененов генератор за делот од сложеното електрично коло, E_T и R_T . Како, во овој случај, ќе се пресмета јачината на струјата што тече низ отпорникот?

Отпорник со отпорност од 10Ω поврзан е помеѓу точките M и C во едно електрично коло. Потенцијалот во точката C е $+50 V$, а потенцијалот во точката M е $+70 V$. Колку изнесува моќноста на отпорникот?

Која е единица мерка за диелектрична константа на материјалот во SI системот?

Кога низ проводник тече постојана струја околу него се јавува:

Како се означува вектор на магнетна индукција?

Како се означува магнетен флукс?

Како се означува електромагнетна сила?

Како се означува јачина на магнетно поле?

Како се означува магнетна пермеабилност?

Како се означува магнетна пермеабилност на воздух или вакуум?

Која е ознаката за релативна магнетна пермеабилност?

4. Електротехника - Стручно образование

Прашање

Како се означува индуктивност на намотка?

Како се означува индуцирана електромоторна сила?

Која е единица мерка за интензитетот на вектор на магнетна индукција во SI системот?

Која е единица мерка за магнетен флукс во SI системот?

Која е единица мерка за електромагнетна сила во SI системот?

Која е единица мерка за јачина на магнетно поле во SI системот?

Која е единица мерка за магнетна пермеабилност во SI системот?

Која е единица мерка за магнетна пермеабилност на воздух или вакуум во SI системот?

Која е единица мерка за релативна магнетна пермеабилност во SI системот?

Која е единица мерка за индуктивност на намотка во SI системот?

4. Електротехника - Стручно образование

Прашање

Која е единица мерка за индуцирана електромоторна сила во SI системот?

Формулата $B = \frac{\mu_0 \cdot I}{2\pi \cdot r}$ се користи за пресметување на:

Која формула се употребува за пресметување на интензитет на вектор на магнетна индукција од долга намотка?

Формулата $\Phi = B \cdot S$ се употребува за пресметување на:

Што покажува хистерезисната крива?

Какви можат да бидат феромагнетните материјали?

Колку изнесува магнетната пермеабилност за воздух?

Кога се јавува индуцирана електромоторна сила?

Каква може да биде индуцираната електромоторна сила?

Која формула се употребува за пресметување на индуктивност на намотка?

Кое тврдење е точно?

Намотка намотана на јадро од феромагнетен материјал низ која тече постојана струја е:

Каде се јавува електромагнетна сила?

4. Електротехника - Стручно образование

Прашање

Магнетната енергија се пресметува со формулата:

Насоката на магнетните силиви линии од тенок прав проводник низ кој тече струја се определува со правило:

Две точки се на различно растојание од тенок проводник низ кој тече струја. Во која точка интензитетот на векторот на магнетна индукција е поголем?

Точката А се наоѓа во близина на тенок проводник низ кој тече постојана струја. Каков ќе биде интензитетот на векторот на магнетна индукција во истата точка ако јачината на струјата два пати се зголеми?

Точката М се наоѓа во близина на тенок проводник низ кој тече постојана струја. Каков ќе биде интензитетот на векторот на магнетна индукција во истата точка ако јачината на струјата три пати се намали?

Точката Р се наоѓа во близина на тенок проводник низ кој тече постојана струја. Каков ќе биде интензитетот на векторот на магнетна индукција во истата точка ако растојанието помеѓу точката и проводникот се намали?

Насоката на магнетните силиви линии од намотка низ која тече струја се определува со правило:

Каков ќе биде интензитетот на векторот на магнетна индукција во тенка намотка ако јачината на струјата која тече низ намотката се зголеми?

Каков ќе биде интензитетот на векторот на магнетна индукција во тенка намотка ако бројот на навивки на намотката се намали?

Каков ќе биде интензитетот на векторот на магнетна индукција во тенка намотка ако должината на намотката се зголеми?

4. Електротехника - Стручно образование

Прашање

Како треба да се постави површината во однос на магнетните силиви линии за да магнетниот флукс биде најголем?

Како треба да се постави површината во однос на магнетните силиви линии за низ неа да нема магнетен флукс?

Ако намагнетизиран феромагнетен материјал тешко се размагнетизирава, тогаш тој е:

Кои феромагнетни материјали лесно се магнетизираат, но и лесно се размагнетизираат?

Каква индуцирана електромоторна сила се јавува во проводна контура која мирува и се наоѓа во променливо магнетно поле?

Каква индуцирана електромоторна сила се јавува во проводна контура која се движи во постојано магнетно поле?

Самоиндукција е појава на статичка индуцирана електромоторна сила во проводна контура поради промената на:

Магусебна индукција е појава на статичка индуцирана електромоторна сила во проводна контура поради промената на:

Од што зависат половите на електромагнет?

На која од сликите е точно претставен векторот на магнетна индукција во точка А?

4. Електротехника - Стручно образование

Прашање

На која од сликите е точно претставен векторот на магнетна индукција во точка К?

На која од сликите е точно претставен векторот на магнетна индукција во точка Р?

На која од сликите е точно претставен векторот на магнетна индукција во точка М?

На која од сликите е точно претставен векторот на магнетна индукција во точка Т?

Точката А се наоѓа на растојание од 10 mm од тенок проводник низ кој тече струја со јачина од 40 А. Колку ќе биде интензитет на векторот на магнетна индукција во точката?

Во точката С, која се наоѓа на растојание од 20 mm од тенок проводник низ кој тече постојана струја, интензитетот на векторот на магнетна индукција е 0,05 Т. Колку ќе биде интензитетот на векторот на магнетна индукција во истата точка ако јачината на струјата два пати се зголеми?

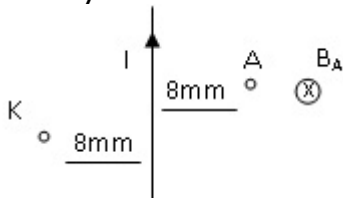
Во точката S, која се наоѓа на растојание од 20 mm од тенок проводник низ кој тече постојана струја, интензитетот на векторот на магнетна индукција е 0,8 Т. Колку ќе биде интензитетот на векторот на магнетна индукција во точка Р која се наоѓа на растојание од 40 mm од истиот проводник?

Во точката К, која се наоѓа на растојание од 60 mm од тенок проводник низ кој тече постојана струја, интензитетот на векторот на магнетна индукција е 0,1 Т. Колку ќе биде интензитетот на векторот на магнетна индукција во точка Р која се наоѓа на растојание од 20 mm од истиот проводник?

4. Електротехника - Стручно образование

Прашање

Интензитетот на векторот на магнетна индукција во точката А е 0,25 Т. Колку изнесува интензитетот на векторот на магнетна индукција во точката К?



Колкав ќе биде интензитетот на векторот на магнетна индукција во тенка намотка со должина од 1m, со 1000 навивки, ако јачината на струјата која тече низ намотката е 50 А?

Интензитетот на векторот на магнетна индукција во намотка со 500 навивки е 0,06 Т. Колкав ќе биде интензитетот на векторот на магнетна индукција ако се намотаат уште 1000 навивки?

Интензитетот на векторот на магнетна индукција во намотка со 700 навивки е 0,05 Т. Колкав ќе биде интензитетот на векторот на магнетна индукција ако јадрото се замени со јадро од материјал со релативна магнетна пермеабилност 100?

Интензитетот на векторот на магнетна индукција во намотка со 100 навивки и јадро од материјал со релативна магнетна пермеабилност 200 е 400 Т. Колкав ќе биде интензитетот на векторот на магнетна индукција ако јадрото се извади од намотката?

Интензитетот на векторот на магнетна индукција во хомогено магнетно поле е 0,04 Т. Колкав ќе биде магнетниот флукс на површина од $0,5 \text{ m}^2$, поставена нормално на магнетните силиви линии?

Интензитетот на векторот на магнетна индукција во хомогено магнетно поле е 0,07 Т. Колкав ќе биде магнетниот флукс на површина од $0,05 \text{ m}^2$, поставена паралелно на магнетните силиви линии?

4. Електротехника - Стручно образование

Прашање

Магнетниот флуks на површина од $0,1 \text{ m}^2$, поставена нормално на магнетните силиви линии, е $0,09 \text{ Wb}$. Колку изнесува интензитетот на векторот на магнетна индукција?

Флуksот низ проводна контура изнесува 20 Wb . Колкава ќе биде индуцираната електромоторна сила ако флуksот се зголеми на 60 Wb за време од 5 секунди?

Флуksот низ проводна контура изнесува 80 Wb . Колкава ќе биде индуцираната електромоторна сила ако флуksот се намали на 20 Wb за време од 2 секунди?

Колкава индуцирана електромоторна сила се јавува во проводник со должина од 2 m , кој се движи во хомогено магнетно поле со брзина од 20 m/s , ако интензитетот на векторот на магнетната индукција на полето е $0,02 \text{ T}$?

Намотка со 100 навивки, намотана на јадро од материјал со релативна магнетна пермеабилност 200 има коефициент на самоиндукција $0,04 \text{ H}$. Колкав е коефициентот на самоиндукција ако бројот на навивки се намали на 50 навивки?

Намотка со 1000 навивки, намотана на јадро од материјал со релативна магнетна пермеабилност 20 има коефициент на самоиндукција $0,05 \text{ H}$. Колкав е коефициентот на самоиндукција ако јадрото се замени со јадро од материјал со релативна магнетна пермеабилност 200?

Намотка со 600 навивки, намотана на јадро од материјал со релативна магнетна пермеабилност 10 и должина од $0,2 \text{ m}$, има коефициент на самоиндукција $0,012 \text{ H}$. Колкав е коефициентот на самоиндукција ако се зголеми должината на калемот на $0,6 \text{ m}$?

4. Електротехника - Стручно образование

Прашање

Опреди ја сликата на која е точно претставена индуцираната електромоторна сила во проводник кој се движи во хомогено поле?

На која од сликите е точно претставена индуцираната електромоторна сила во проводник кој се движи во хомогено поле?

Колку изнесува магнетната енергија на соленоид со индуктивност од $0,05 \text{ H}$, ако низ него тече струја со јачина од 10 A ?

Магнетната енергија на соленоид со индуктивност од $0,05 \text{ H}$, изнесува 20 J . Колкава ќе биде магнетната енергија ако индуктивноста е $0,01 \text{ H}$?

Магнетната енергија на соленоид, ако низ него тече струја со јачина од 10 A , е 60 J . Колкава ќе биде магнетната енергија ако јачината на струјата се намали на 5 A ?

4. Електротехника - Стручно образование

Прашање

Електричните машини се делат на:

Какви можат да бидат вртливите електричните машини според видот на струјата?

Какви можат да бидат еднонасочните електричните машини?

Какви можат да бидат вртливите наизменични електричните машини?

Машините кои ја претвораат електричната енергија во механичка енергија се:

Машините кои ја претвораат механичката енергија во електрична енергија се:

Кои се основни делови на трансформатор?

Примарна и секундарна намотка се делови на:

Која е основна задача на трансформаторот?

Нисконапонска и високонапонска намотка се делови на:

Со која формула се пресметува коефициент на трансформација на електричен трансформатор?

Роторска и статорска намотка се делови на:

4. Електротехника - Стручно образование

Прашање

Што е вртливо магнетно поле?

Што е синхрона брзина?

Кои се синхрони електрични машини?

Кои се асинхрони електрични машини?

Со која буква се означува број на парови полови?

Со која буква се означува лизгање?

Со која буква се означува брзина на вртење на вртливо магнетно поле ?

Која е единица мерка за брзина на вртење на вртливо магнетно поле во SI системот?

Која е единица мерка за лизгање во SI системот?

Како се вика неподвижниот дел кај вртливите електрични машини?

Како се вика подвижниот дел кај вртливите електрични машини?

Режим на празен од на трансформатор е:

Режим на куса врска на трансформатор е:

4. Електротехника - Стручно образование

Прашање

Примарна намотка на трансформатор е намотката на која е приклучен:

Секундарна намотка на трансформатор е намотката на која е приклучен:

Кое тврдење е точно? Високонапонска намотка на трансформатор е намотката:

Кое тврдење е точно? Нисконапонска намотка на трансформатор е намотката:

Колкава е јачината на струјата што тече низ секундарната намотка на трансформатор кога работи во режим на празен од ?

Колкава е јачината на струјата што тече низ секундарната намотка на трансформатор кога работи во режим на куса врска?

Со која формула се пресметува брзина на вртење на вртливо магнетно поле?

Со која формула се пресметува лизгање кај асинхрони машини?

Зошто служи трансформаторско масло?

Мерните трансформатори ги трансформираат високите напони во вредности погодни за приклучување на:

Доколку, примарната намотка на трансформатор има 500 навивки, а секундарната има 100 навивки, тогаш, трансформаторот:

4. Електротехника - Стручно образование

Прашање

Доколку примарната намотка на трансформатор има 1000 навивки , а секундарната има 200 навивки, тогаш, трансформаторот:

Ако трансформаторот го намалува напонот, коефициентот на трансформација е:

Ако трансформаторот го зголемува напонот, коефициентот на трансформација е:

Ако трансформаторот ја намалува јачината на струјата, коефициентот на трансформација е:

Од што зависи брзината на вртливото магнетно поле?

Како може да се регулира брзината на вртење на асинхрон мотор?

Колкава е фазната разлика помеѓу намотките кај трофазен генератор?

Како се добива вртливо магнетно поле?

Примарната намотка на трансформаторот има 400 навивки, а секундарната 50 навивки. Колку изнесува коефициентот на трансформација?

Примарната намотка на трансформаторот има 400 навивки, а секундарната 800 навивки. Колку изнесува коефициентот на трансформација?

Колку изнесува напонот на секундарната намотка на трансформатор со коефициент на трансформација 5, ако примарниот напон е 100 V?

4. Електротехника - Стручно образование

Прашање

Колку изнесува напонот на примарната намотка на трансформатор со коефициент на трансформација 10, ако секундарниот напон е 50 V?

Колку изнесува јачината на струјата што тече низ секундарната намотка на трансформатор со коефициент на трансформација 10, ако јачината на струјата што тече низ примарната намотка е 2 A?

Колку изнесува јачината на струјата што тече низ примарната намотка на трансформатор со коефициент на трансформација 20, ако јачината на струјата што тече низ секундарната намотка е 40 A?

Колку изнесува коефициент на трансформација на трансформатор со јачина на струјата низ примарната намотка на трансформатор од 5 A, и јачина на струјата низ секундарната намотка од 10 A?

Колку изнесува напонот на секундарната намотка со 10 навивки, ако примарната намотка со 500 навивки е приклучена на напон од 100 V?

Колку изнесува јачината на струјата низ на секундарната намотка со 100 навивки, ако низ примарната намотка со 50 навивки тече струја со јачина од 20 A?

Напонот на потрошувачот поврзан на трансформатор, со коефициент на трансформација 15, изнесува 20 V. Колку изнесува напонот на примарната намотка?

Струјата низ потрошувачот поврзан на трансформатор изнесува 2 A. Ако напонот на примарната намотка е 10 V, а напонот на секундарната намотка е 5 V, струјата низ примарната намотка е:

4. Електротехника - Стручно образование

Прашање

Брзината на вртење на асинхрон мотор при фреквенција од 50 Hz е 200 вртежи/мин. Колку изнесува брзината на вртење на моторот ако фреквенцијата се зголеми 2 пати?

Брзината на вртење на асинхрон мотор при фреквенција од 100 Hz е 400 вртежи/мин. Колку изнесува брзината на вртење на моторот ако фреквенцијата се намали 2 пати?

Брзината на вртење на асинхрон мотор при фреквенција од 100 Hz е 400 вртежи/мин. Колку изнесува брзината на вртење на моторот ако бројот на парови полови се зголеми 2 пати?

Брзината на вртење на асинхрон мотор при фреквенција од 100 Hz е 600 вртежи/мин. Колку изнесува брзината на вртење на моторот ако бројот на парови полови се намали 2 пати?

Колкаво е лизгањето на асинхрона машина ако брзината на вртење на роторот е 450 вртежи/мин а синхроната брзина е 500 вртежи/мин?

Колкаво е лизгањето на асинхрона машина ако брзината на вртење на роторот е 800 вртежи/мин а синхроната брзина е 1000 вртежи/мин?

Колку изнесува коефициент на трансформација на трансформатор со напон на примарната намотка на трансформатор од 300 V, и напон на секундарната намотка од 10 V?

Изразот за моментна вредност на наизменична струја е:

Изразот за моментна вредност на наизменичен напон е:

Изразот за моментна вредност на електромоторна сила на генератор на наизменичен напон е:

4. Електротехника - Стручно образование

Прашање

Максималната вредност на наизменична струја се означува со:

Максималната вредност на наизменичен напон се означува со:

Максималната вредност на наизменичната електромоторна сила се означува со:

Ефективната вредност на наизменична струја се означува со:

Ефективната вредност на наизменичен напон се означува со:

Ефективната вредност на наизменичната електромоторна сила се означува со:

Почетната фаза на наизменична струја се означува со:

Почетната фаза на наизменичен напон се означува со:

Почетната фаза на наизменична електромоторна сила се означува со:

Кружна фреквенција се означува со:

Фреквенција се означува со:

Што е фреквенција?

4. Електротехника - Стручно образование

Прашање

Што е период ?

Како се означува период?

Која е единица мерка за период во SI системот?

Која е единица мерка за фреквенција во SI системот?

Која е единица мерка за кружна фреквенција во SI системот?

Која е единица мерка за почетна фаза на струја во SI системот?

Која е единица мерка за почетна фаза на напон во SI системот?

Како се означува активна отпорност?

Како се означува реактивна отпорност на идеален кондензатор?

Како се означува импеданса?

Како се означува адмитанса?

Која е единица мерка за импеданса во SI системот?

4. Електротехника - Стручно образование

Прашање

Која е единица мерка за адмитанса во SI системот?

Која е единица мерка за активна отпорност во SI системот?

Идеален калем е калем чија:

Идеален кондензатор е кондензатор чија:

Која е единица мерка за реактивна отпорност на идеален калем во SI системот?

Која е единица мерка за реактивна отпорност на идеален кондензатор во SI системот?

Со формулата $X_L = \omega \cdot L$ се пресметува:

Со формулата $X_C = \frac{1}{\omega C}$ се пресметува:

Со која формула се пресметува адмитанса?

Колку изнесува фазната разлика помеѓу напонот и струјата во коло со омски отпорник?

Колку изнесува фазната разлика помеѓу напонот и струјата во коло со идеален калем?

4. Електротехника - Стручно образование

Прашање

Колку изнесува фазната разлика помеѓу напонот и струјата во коло со идеален кондензатор?

Како се означува активна моќност?

Како се означува реактивна моќност на идеален калем?

Како се означува реактивна моќност на идеален кондензатор?

Како се означува привидна моќност?

Која е единица мерка за привидна моќност во SI системот?

Која е единица мерка за активна моќност во SI системот?

Која е единица мерка за реактивна моќност на идеален калем во SI системот?

Единица мерка за реактивна моќност на идеален кондензатор во SI системот е:

Фактор на моќност се означува со:

Со која формула се пресметува активна моќност?

Со која формула се пресметува реактивна моќност на идеален калем?

4. Електротехника - Стручно образование

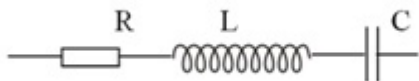
Прашање

Со која формула се пресметува реактивна моќност на идеален кондензатор?

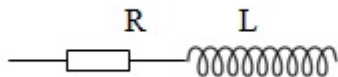
Со која формула се пресметува привидна моќност?

Со која формула се пресметува фактор на моќност во наизменично коло?

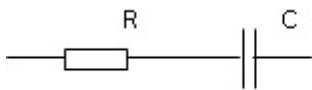
Колото на сликата е:



Колото на сликата е:



Колото на сликата е



Кога ќе настане резонанција во редно RLC коло?

Кога ќе настане резонанција во паралелно RLC коло?

Колку изнесува фазната разлика помеѓу напонот на генераторот и струјата што тече низ него при постигната резонанција во колото?

4. Електротехника - Стручно образование

Прашање

Како се означува реактивна отпорност на идеален калем?

Вртлив вектор, кој се врти во позитивна насока со брзина еднаква на кружната фреквенција, поставен во однос на фазна оска под агол еднаков на почетната фаза, се вика:

Постојана вредност на струјата низ отпорник, која создава исто количество топлина за време од еден период како и наизменичната струја за истото време, претставува:

Со која формула се пресметува ефективна вредност на наизменичната струја?

Моментната вредност на наизменичната струја е $i = 5\sqrt{2} \sin(314t - 60^\circ)$ (A). Колкава е максималната вредност на струјата?

Моментната вредност на наизменичната струја е $i = 15\sqrt{2} \sin(314t - 60^\circ)$ (A). Колкава е ефективната вредност на струјата?

Моментната вредност на наизменичниот напон е $u = 150\sqrt{2} \sin(314t - 60^\circ)$ (V). Колкава е кружната фреквенција?

Моментната вредност на наизменичната струја е $i = 15\sqrt{2} \sin(628t - 60^\circ)$ (A). Колкава е кружната фреквенција?

4. Електротехника - Стручно образование

Прашање

Моментната вредност на наизменичната струја е $i = 25\sqrt{2} \sin(628t - 60^\circ)$ (A). Колкава е почетната фаза?

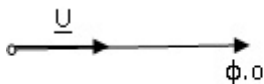
Моментната вредност на наизменичниот напон е $u = 150\sqrt{2} \sin(314t + 160^\circ)$ (V). Колкава е почетната фаза?

Моментната вредност на наизменичниот напон е $u = 150\sqrt{2} \sin 314t$ (V). Колкава е почетната фаза?

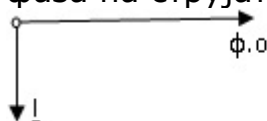
Која од следните слики го покажува фазорскиот дијаграм на струјата чија моментната вредност е $i = 25\sqrt{2} \sin(628t + 90^\circ)$ (A)?

Која од следните слики го покажува фазорскиот дијаграм на напонот чија моментната вредност е $u = 25\sqrt{2} \sin(628t - 90^\circ)$ (V)?

Сликата го покажува фазорскиот дијаграм на напонот. Колкава е почетната фаза на напонот?



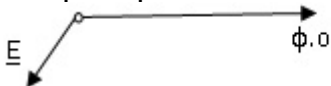
Сликата го покажува фазорскиот дијаграм на струјата. Колкава е почетната фаза на струјата?



4. Електротехника - Стручно образование

Прашање

Сликата го покажува фазорскиот дијаграм на електромоторната сила на генераторот. Колкава е почетната фаза?



Во коло со омски отпорник со отпорност од $10 \text{ } (\Omega)$ тече струја со моментната вредност $i = 25\sqrt{2} \sin(628t - 60^\circ)$ (A). Кој е изразот за моментна вредност на напонот?

Омски отпорник со отпорност од $5 \text{ } (\Omega)$ приклучен а на напон со моментна вредност $u = 25\sqrt{2} \sin(628t - 30^\circ)$ (V). Кој е изразот за моментна вредност на струјата?

Во коло со идеален калем со индуктивност од $0,01 \text{ } (H)$ тече струја со моментна вредност $i = 25\sqrt{2} \sin(1000t - 60^\circ)$ (A). Колку е реактивната отпорност на калемот?

Во коло со идеален кондензатор со капацитивност од $100 \text{ } (\mu F)$ тече струја со моментна вредност $i = 5\sqrt{2} \sin(1000t - 100^\circ)$ (A) . Колку е реактивната отпорност на кондензаторот?

Во коло со идеален калем со индуктивност од $0,01 \text{ } H$, реактивната отпорност на калемот е $18 \text{ } \Omega$. Колкава ќе биде отпорноста ако фреквенцијата се намали два пати?

Во коло со идеален кондензатор со капацитивност од $100 \text{ } \mu F$ реактивната отпорност на кондензаторот е $50 \text{ } \Omega$? Колкава ќе биде отпорноста ако фреквенцијата се намали два пати?

4. Електротехника - Стручно образование

Прашање

Во коло со идеален калем со индуктивност од 0,01 H, реактивната отпорност на калемот е 9 Ω . Колкава ќе биде отпорноста ако фреквенцијата се зголеми три пати?

Во коло со идеален кондензатор со капацитивност од 100 μF реактивната отпорност на кондензаторот е 50 Ω . Колкава ќе биде отпорноста ако фреквенцијата се зголеми пет пати?

Во коло со омски отпорник со отпорност од 10 (Ω) тече струја со моментната вредност $i = 5\sqrt{2} \sin(628t - 60^\circ)$ (A). Колку изнесува активната моќност?

Во коло со идеален калем со реактивна отпорност од 5 (Ω) тече струја со моментната вредност $i = 2\sqrt{2} \sin(1000t + 15^\circ)$ (A). Колку е реактивната моќност на калемот?

Во коло со идеален кондензатор со реактивна отпорност од 4 Ω тече струја со моментната вредност $i = 5\sqrt{2} \sin(1000t + 100^\circ)$ (A). Колку е реактивната моќност на кондензаторот?

Редно се поврзани омски отпорник и идеален калем. Со која формула се пресметува импедансата на приклучоците на редната врска?

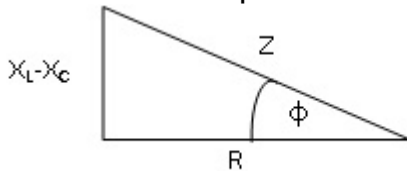
Редно се поврзани омски отпорник и идеален кондензатор. Со која формула се пресметува импедансата на приклучоците на редната врска?

Редно се поврзани омски отпорник, идеален калем и идеален кондензатор. Со која формула се пресметува импедансата на приклучоците на редната врска?

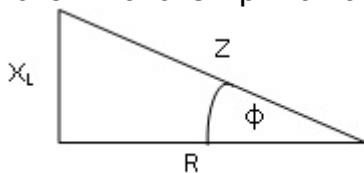
4. Електротехника - Стручно образование

Прашање

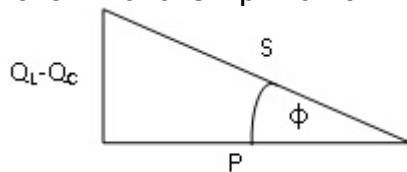
На сликата е прикажан:



На сликата е прикажан:



На сликата е прикажан:



Во коло со еден идеален елемент, напонот и струјата се во фаза. Кој елемент е во колото?

Во коло со еден идеален елемент, напонот претходи пред струјата за 90° . Кој елемент е во колото?

Во коло со еден идеален елемент, напонот доцни зад струјата за 90° . Кој елемент е во колото?

Во коло со омски отпорник, идеален калем и идеален кондензатор, реактивната отпорност на калемот е поголема од реактивната отпорност на кондензаторот. Кој претходи, напонот или струјата?

4. Електротехника - Стручно образование

Прашање

Во коло со омски отпорник , идеален калем и идеален кондензатор, реактивната отпорност на калемот е помала од реактивната отпорност на кондензаторот. Кој претходи, напонот или струјата?

Во коло со омски отпорник , идеален калем и идеален кондензатор, реактивната отпорност на калемот е иста со реактивната отпорност на кондензаторот. Кој претходи, напонот или струјата?

Индуктивен потрошувач е приклучен на наизменичен напон. Кој претходи, напонот или струјата?

Капацитивен потрошувач е приклучен на наизменичен напон. Кој претходи, напонот или струјата?

Редно RLC коло е приклучено на напон со почетна фаза (-130°). Колку изнесува почетната фаза на струјата, ако колото е во режим на резонанција?

Колку изнесува факторот на моќност во наизменично коло при постигната резонанција?

Колку изнесува факторот на моќност во наизменично коло при постигната антирезонанција?

Индуктивен потрошувач е приклучен на наизменичен напон. Како треба да се приклучи идеален кондензатор за да се поправи факторот на моќност во колото?

4. Електротехника - Стручно образование

Прашање

Која формула се употребува за пресметување на капацитивноста на кондензаторот што треба паралелно да се приклучи на претежно индуктивниот потрошувач, за да се изврши целосна поправка на фактор на моќност во колото?

Моментната вредност на наизменичната струја е $i = 15\sqrt{2}\sin(628t - 60^\circ)$ (A). Колкава е фреквенција?

Моментната вредност на наизменичната струја е $i = 5\sin(314t - 60^\circ)$ (A). Колкав е периодот?

Ефективната вредност на наизменичната струја е 12 A, а почетната фаза е -110° . Ако кружната фреквенција е 100 rad/s, изразот за моментната вредност на струјата е:

Максималната вредност на наизменичниот напон е 120 V, а почетната фаза е 10° . Ако кружната фреквенција е 100 rad/s, изразот за моментната вредност на напонот е:

Максималната вредност на наизменичниот напон е 30 V, а почетната фаза е -40° . Ако фреквенција е 100 Hz, изразот за моментната вредност на напонот е

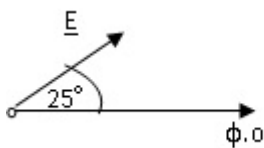
На сликата е даден фазорски дијаграм на наизменичната струја чија максималната вредност е 6 A, а фреквенција е 100 Hz. Кој е изразот за моментната вредност на струјата?



4. Електротехника - Стручно образование

Прашање

На сликата е даден фазорски дијаграм на наизменичната електромоторна сила чија максималната вредност е 60 V, а периодот е 0,01 s. Кој е изразот за моментната вредност на електромоторната сила?



Во коло со идеален калем со реактивна отпорност од 14 (Ω), тече струја со моментната вредност $i = 2\sin(314t + 20^\circ)$ (A). Кој е изразот за моментната вредност на напонот?

Во коло со идеален кондензатор со реактивна отпорност од 5 (Ω) тече струја со моментната вредност $i = 5\sqrt{2}\sin(1000t - 100^\circ)$ (A). Кој е изразот за моментната вредност на напонот?

Идеален калем со реактивна отпорност од 4 (Ω), приклучен е на напон со моментната вредност $u = 20\sin(314t + 20^\circ)$ (V). Кој е изразот за моментната вредност на струјата?

Идеален кондензатор со реактивна отпорност од 15 (Ω), приклучен е на напон со моментната вредност $u = 90\sqrt{2}\sin(628t - 180^\circ)$ (V). Кој е изразот за моментната вредност на струјата?

Редно се поврзани омски отпорник со отпорност од 3 Ω , идеален калем со реактивна отпорност од 8 Ω и идеален кондензатор со реактивна отпорност од 4 Ω . Колку изнесува импедансата на приклучоците на редната врска?

4. Електротехника - Стручно образование

Прашање

Редно се поврзани омски отпорник со отпорност од 6Ω , и идеален калем со реактивна отпорност од 8Ω . Колку изнесува импедансата на приклучоците на редната врска?

Редно се поврзани омски отпорник со отпорност од 4Ω и идеален кондензатор со реактивна отпорност од 3Ω . Колку изнесува импедансата на приклучоците на редната врска?

Редно се поврзани омски отпорник со отпорност од 4Ω , идеален калем со реактивна отпорност од 6Ω и идеален кондензатор со реактивна отпорност од 3Ω . Колку изнесува ефективната вредност на напонот ако максималната вредност на струјата е $2\sqrt{2}$ А?

Редно се поврзани омски отпорник со отпорност од 30Ω и идеален калем со реактивна отпорност од 40Ω . Колку изнесува максималната вредност на напонот ако максималната вредност на струјата е 2 А?

Редно се поврзани омски отпорник со отпорност од 40Ω и идеален кондензатор со реактивна отпорност од 30Ω . Колку изнесува максималната вредност на напонот ако ефективната вредност на струјата е 3 А?

Редно се поврзани омски отпорник со отпорност од 4Ω , идеален калем со реактивна отпорност од 10Ω и идеален кондензатор со реактивна отпорност од 7Ω . Колку изнесува активната моќност во колото ако ефективната вредност на струјата е 2 А?

4. Електротехника - Стручно образование

Прашање

Редно се поврзани омски отпорник со отпорност од 4Ω , идеален калем со реактивна отпорност од 10Ω и идеален кондензатор со реактивна отпорност од 7Ω . Колку изнесува привидната моќност во колото ако ефективната вредност на струјата е 10 A ?

Редно се поврзани омски отпорник со отпорност од 30Ω и идеален калем со реактивна отпорност од 40Ω . Колку изнесува привидната моќност во колото ако ефективната вредност на струјата е 2 A ?

Редно се поврзани омски отпорник со отпорност од 5Ω и идеален калем со реактивна отпорност од 2Ω . Колку изнесува реактивната моќност во колото ако ефективната вредност на струјата е 3 A ?

Редно се поврзани омски отпорник со отпорност од 4Ω и идеален кондензатор со реактивна отпорност од 11Ω . Колку изнесува реактивната моќност во колото ако ефективната вредност на струјата е 2 A ?

Во редно RL коло активната моќност е 40 W , а реактивната моќност на калемот е 30 VAr . Колку изнесува привидната моќност во колото?

Во редно RC коло активната моќност е 80 W , а реактивната моќност на кондензаторот е 60 VAr . Колку изнесува привидната моќност во колото?

Во редно RLC коло активната моќност е 80 W , реактивната моќност на калемот е 100 VAr , а реактивната моќност на кондензаторот е 40 VAr . Колку изнесува привидната моќност во колото?

Во редно RL коло активната моќност е 40 W , а реактивната моќност на калемот е 30 VAr . Колку изнесува факторот на моќност?

4. Електротехника - Стручно образование

Прашање

Во редно RC коло активната моќност е 70 W, а реактивната моќност на кондензаторот е 240 VAr. Колку изнесува факторот на моќност во колото?

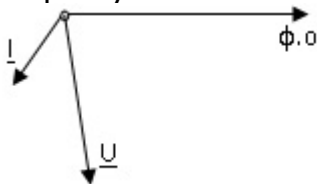
Во коло со идеален калем и идеален кондензатор, факторот на моќност е:

Во редно RLC коло активната моќност е 60 W, реактивната моќност на калемот е 100 VAr, а реактивната моќност на кондензаторот е 20 VAr. Колку изнесува факторот на моќност во колото?

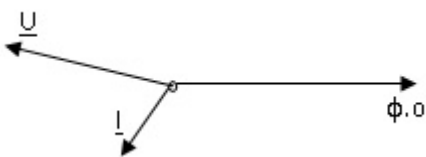
Потрошувач со активна отпорност од 8 Ω , индуктивност на калемот е 0,012 H, и капацитивност на кондензаторот е 100 μF , приклучен е на напон со кружна фреквенција 1000 rad/s. Каков е потрошувачот?

Потрошувач со активна отпорност од 1 Ω , индуктивност на калемот е 0,02 H, и капацитивност на кондензаторот е 100 μF , приклучен е на напон со кружна фреквенција 500 rad/s. Каков е потрошувачот?

На сликата е даден фазорски дијаграм на напонот и струјата што тече низ потрошувачот. Каков карактер има потрошувачот?



На сликата е даден фазорски дијаграм на напонот и струјата што тече низ потрошувачот. Каков карактер има потрошувачот?



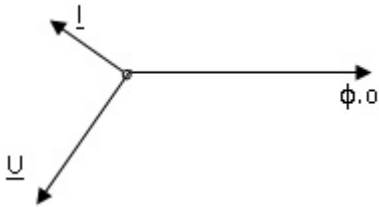
4. Електротехника - Стручно образование

Прашање

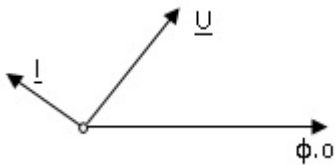
На сликата е даден фазорски дијаграм на напонот и струјата во коло со еден елемент. Кој елемент е во колото?



На сликата е даден фазорски дијаграм на напонот и струјата во коло со еден елемент. Кој елемент е во колото?

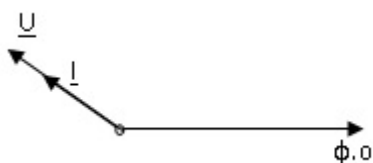


На сликата е даден фазорски дијаграм на напонот и струјата во коло со еден елемент. Кој елемент е во колото?



Потрошувач е приклучен на наизменичен напон. Каков е потрошувачот ако напонот претходи пред струјата за 30° ?

На сликата е даден фазорски дијаграм на напонот и струјата во редно RLC коло. Во кој случај дијаграмот е точен?



4. Електротехника - Стручно образование

Прашање

Потрошувач со активна отпорност од 1Ω , индуктивност на калемот $0,04 \text{ H}$, и капацитивност на кондензаторот $100 \mu\text{F}$, приклучен е на генератор со променлива фреквенција. Колкава треба да биде кружната фреквенција на генераторот за во колото да настапи резонанција?

Во редно RLC коло, напонот на омскиот отпорник е 20 V , а напонот на идеалниот калем е 500 V . Колкав е напонот на кој е приклучено целото коло кога е во режим на резонанција?

Во редно RLC коло, напонот на омскиот отпорник е 10 V , а напонот на идеалниот кондензатор е 300 V . Колкав е напонот на кој е приклучено целото коло кога е во режим на резонанција?

Во редно RLC коло, напонот на омскиот отпорник е 10 V , а напонот на идеалниот кондензатор е 300 V . Колкав е напонот на идеалниот калем, кога колото е во режим на резонанција?

Во редно RLC коло, напонот на омскиот отпорник е 70 V , а напонот на идеалниот калем е 500 V . Колкав е напонот на идеалниот кондензатор, кога колото е во режим на резонанција?

За да се поправи факторот на моќност на индуктивен потрошувач со активна отпорност од 3Ω и индуктивност од $0,004 \text{ H}$, паралелно со него е приклучен кондензатор. Колкава е капацитивноста на кондензаторот, ако кружната фреквенција е 1000 rad/s ?

Кое тврдење е точно? При целосна поправка на фактор на моќност

5. Електротехнички материјали и елементи - Стручно образование

Прашање

Способноста на телото да изврши одредена работа се вика:

Протонот е честичка со:

Електронот е честичка со:

Како се нарекува збирот на протоните и неутроните во јадрото ?

Што претставува атомски (реден број)?

Што претставува елементарно количество електричество?

За кои материјали поликристалните структури се најзначајни од аспект на примена?

Од аспект на примена, големо значење имаат некристалните материјали, а тоа се:

Кое тврдење е точно? Течностите во електротехниката се користат :

Фотоемисионите елементи (ласери, лед-диоди), се изработуваат од материјали со:

5. Електротехнички материјали и елементи - Стручно образование

Прашање

Која хемиска врска е застапена кај молекулот на NaCl (готварска сол)?

Петвалентните примеси, кои му даваат слободен електрон на силициумовиот полупроводнички кристал, се нарекуваат:

Како гласи Паулиевиот принцип?

Која врска најмногу е застапена во кристалната решетка на силициумот (Si)?

За електротехниката од посебно значење се материјалите кои кристализираат во:

Несовршеностите во кристалните материјали кои се локализирани на ниво на поединечни атоми се нарекуваат:

Кои својства се најповеќе изразени кај полимерите како некристални материјали?

Некои полимери во растегнатата состојба имаат механичка цврстина споредлива со челикот, поради што се употребуваат како:

На температура од апсолутна нула, проводната зона е:

5. Електротехнички материјали и елементи - Стручно образование

Прашање

Колку изнесува ширината на енергетскиот процеп кај диелектричните материјали?

На температура од апсолутна нула, валентната зона е:

Материјалите со индиректен енергетски процеп се употребуваат за изработка на:

Каков материјал е стаклото според својата кристална структура?

Течните кристали се употребуваат за изработка на:

Полимерите се некристални материјали, кои се добиваат со постапка наречена:

На кој начин металите (Cu, Ag, Al, Zn и др.) постигнуваат стабилна електронска конфигурација?

На кој начин неметалите (фосфор, арсен, селен, хлор) постигнуваат стабилна електронска конфигурација?

Од што зависи агрегатната состојба на електротехничките материјали?

5. Електротехнички материјали и елементи - Стручно образование

Прашање

Како се добива ситнозрнеста ориентирана поликристална структура ?

Кај кои материјали е присутна јонската врска?

Кои несовершености кај кристалите се најважни за полупроводничката технологија?

Полимерите во електротехниката главно се употребуваат како:

Кои се метали со голема електрична проводност?

Зависноста на електричната отпорност од температурата се изразува со:

Ако металот содржи повеќе примеси, неговата отпорност е:

Од што зависат електричните својства на проводните материјали?

Кои својства се најважни за примена на проводниците?

Металите со голема електрична проводност (Cu, Al, Ag, Au) се користат за изработка на:

5. Електротехнички материјали и елементи - Стручно образование

Прашање

Отпорните легури (кантал, цекас, манганин, константан), се користат за изработка на:

Од какви материјали се изработуваат термоелектричните спрегови?

Кај кои материјали температурниот коефициент на отпорот α_t има позитивна вредност ?

Спирала на електричен грејач на собна температура $t_0 = 20^\circ\text{C}$ има електрична отпорност $R_0 = 70\ \Omega$. Колкава отпорност R_t има на температура $t_t = 250^\circ\text{C}$ ако спиралата е од направена од никелин со температурен коефициент $\alpha_t = 2 \cdot 10^{-4} [1/^\circ\text{C}]$?

Што претставува симболот n во изразот за специфичната електрична проводност според дадената формула: $\sigma = e \cdot n \cdot \mu$?

Среброто од сите метали има:

Со термичка обработка на металите (на пр. жареење), проводноста се:

Какви својства се апсорпцијата и рефлeksiјата кај металите?

Месингот е легура на:

5. Електротехнички материјали и елементи - Стручно образование

Прашање

Оловото и ниобот се најважни претставници на елементарните:

Како се поделени електричните отпорници според конструкцијата?

Кои се основни носители на наелектризираноста кај проводниците од втор ред?

Појавата на суперпроводност најпрво била откриена кај:

Галванските или примарни елементи се генератори на електричната струја кои ја претвораат:

Кои се отпорни легури?

Што се случува со електричната отпорност на металните проводници со зголемување на температурата? Електричната отпорност се:

Поради специфичната примена, за која се потребни поголеми димензии на проводните материјали, тие скоро секогаш се користат во:

Електролитите и графитот имаат негативен температурен коефициент на отпорноста . Што значи тоа?

5. Електротехнички материјали и елементи - Стручно образование

Прашање

Ако за два пати се зголеми специфичната електрична отпорност, за колку пати ќе се промени специфичната електрична проводност на проводните материјали?

Ако за четири пати се зголеми специфичната електрична проводност, за колку пати ќе се зголеми специфичната електрична отпорност?

Со што се изразува промената на специфичниот електричен отпор од промената на температурата?

Кое од наведените својства на проводните материјали НЕ спаѓа во иста група со останатите?

Како влијае на отпорноста ладната обработка на металите (ковање, валање, извлекување)?

Металите се карактеризираат со:

За што се користат термоелектричните спрегови?

Каква е температурата на топење на лемот во однос на деловите кои се спојуваат?

За што се употребува мекиот лем S.Sn60?

5. Електротехнички материјали и елементи - Стручно образование

Прашање

За што се употребува мекиот лем S.Sn35?

Контактите за мало оптоварување работат на напони:

Кој материјал е најпогоден за изработка на бавни осигурувачи?

За што се користат електричните контакти?

За што се користат електричните осигурувачи?

За што служат лемовите?

Полнење на акумулаторот е процес при кој:

Празнење на акумулаторот е процес при кој:

Контактите за средно оптоварување работат при напони до:

5. Електротехнички материјали и елементи - Стручно образование

Прашање

Контактите за големо оптоварување работат при напони од:

Какво својство е специфичната маса кај проводните материјали?

Какви својства се тврдината и жилавоста кај проводните материјали?

Степенот на рефлексивност r/I_0 кај металите се движи од:

Оптичките својства на металите НЕ се искористени во една од следниве примени:

Која од наведените постапки НЕ е постапка на ладна обработка на металите?

Кое од наведените својства НЕ припаѓа во иста група со останатите?

Кој е најпогоден материјал за брзите осигурувачи?

Електричните осигурувачи можат да бидат:

5. Електротехнички материјали и елементи - Стручно образование

Прашање

Какви видови акумулатори има според особините на електролитот?

Електролитите се супстанции, чии водени и други раствори проведуваат струја преку движење на :

Од што се составени галванските елементи ?

Колку изнесува енергетскиот процес кај проводните материјали?

Во кои граници се движи специфичната електрична отпорност кај проводните материјали?

Електроните, кои ја создаваат електричната струја, се нарекуваат:

Што е електрична струја?

Ако подвижноста на слободните електрони во некој метал е помала, неговата електрична отпорност е:

Која би била главна потешкотија при преносот на електричната енергија со суперпроводни кабли?

Бакарот (Cu), алуминиумот (Al), среброто (Ag) и златото (Au) се:

5. Електротехнички материјали и елементи - Стручно образование

Прашање

Кое тврдење е точно? Никелот (Ni), железото (Fe), волфрамот(W), калајот(Sn), оловото(Pb) се:

Од што се изработуваат термоелектричните спрегови?

Механичките и термичките својства на проводните материјали зависат од:

Колку изнесува температурата на топење на бакарот?

Колку изнесува температурата на топење на алуминиумот?

Како се нарекува температурата при која настанува суперпроводност ?

Што претставува Мајснеров ефект?

Минималната вредност на специфичната електрична отпорност на металите се вика:

Ако металниот проводник содржи повеќе дефекти, тогаш неговата заостаната специфична електрична отпорност ρ_z ќе биде :

Што претставува β_t во изразот за специфичната електрична отпорност $\rho_t =$

5. Електротехнички материјали и елементи - Стручно образование

Прашање

Доколку процентот на чистота на некој метал е поголем, подвижноста на слободните електрони е:

Ако подвижноста на слободните електрони во некој метал е поголема, неговата електрична проводност е:

Влијанието на примесите кај проводните материјали е особено изразено:

Што претставува топлинска проводност?

Што претставува специфична топлина?

Што претставува специфична маса?

Коефициентот на линеарно топлинско издолжување покажува:

Што се случува кога на материјалот ќе падне светлина?

За што се користи мекиот бакар ?

5. Електротехнички материјали и елементи - Стручно образование

Прашање

Кој од металите со голема специфична електрична проводност (Cu, Al, Ag, Au) има најниска цена?

За која од следниве примени НЕ се користи златото како проводен материјал?

Алуминиумот се употребува за изработка на:

Легурата на алуминиумот-алдреј се употребува за изработка на:

Каков материјал треба да се употреби за изработка на проводните делови од грлата на електричните светилки?

На која температура врие течниот хелиум (He)?

На која температура врие течниот азот (N)?

Зошто високотемпературните суперпроводни керамики имаат предност пред елементарните суперпроводници ?

5. Електротехнички материјали и елементи - Стручно образование

Прашање

Колку изнесува специфичната електрична отпорност на бакарот ρ_t на температура $t=120^\circ\text{C}$ ако на температура $t_0=20^\circ\text{C}$ изнесува

$$\rho_{20} = 0,0172 \Omega \text{mm}^2 / \text{m}?$$

За што се применуваат елементарните суперпроводници (олово и ниоб)?

Една од најзначајните потенцијални примени на суперпроводните материјали е за изработка на:

Кои суперпроводни материјали имаат најголема перспектива за примена?

Елементарните суперпроводници (Pb, Nb) се непогодни за примена во енергетиката поради:

Суперпроводните легури (легура на ниоб и калај, легура на титан, ниоб и циркониум) се применуваат за изработка на:

Каде се применуваат Џозефсоновите споеви?

За што се употребува легурата манганин?

Кои се основните носители на електрицитет кај примесните полупроводници од P-тип?

5. Електротехнички материјали и елементи - Стручно образование

Прашање

Основни носители на електрицитетот кај примесните полупроводници од N – тип се:

Полупроводник од N-тип се добива ако во кристалната решетка на чист силициум се додадат:

Полупроводник од P-тип се добива ако во кристалната решетка на чист силициум се додадат:

Пополнувањето на празнините со слободни електрони и повторно формирање на ковалентна врска се нарекува:

Со зголемување на температурата, специфичната електрична отпорност кај полупроводните материјали:

Кои се слободни носители на електрицитет кај полупроводните материјали?

Каков е температурниот коефициент на отпорот, α , кај полупроводниците?

Со зголемување на температурата кај полупроводните материјали, концентрацијата на слободни носители на електрицитет:

5. Електротехнички материјали и елементи - Стручно образование

Прашање

Емисијата на енергија во вид на зрачење на светлина, овозможува примена на полупроводниците за изградба на :

Главна примена на полупроводниците е за изработка на

Од полупроводничките компоненти се бара да имаат :

Какви материјали се: силициумот (Si), германиумот (Ge) и галиум арсенидот (GaAs) се:

Доминантен материјал за изработка на интегрирани кола е :

За изработка на ласери, освен галиум арсенидот (GaAs), се користат и:

За што се употребуваат проводните полимери (polyacetylene, polypyrrole, polyaniline)?

Од кои полупроводни соединенија се изработуваат LED диоди?

Монокристален силициум (Si) од P-тип се добива со процес на извлекување, наречено:

5. Електротехнички материјали и елементи - Стручно образование

Прашање

Силициумски монокристал од n-тип се добива со метод на:

Силициумот има атомски број кој изнесува:

Германиумот има атомски број кој изнесува:

Полупроводниците имаат две компоненти на електрична проводност:

Што важи кај чистите (интринсични) полупроводници за концентрацијата на слободни електрони и празнини е:

Како се нарекуваат петвалентните примеси, кои му „даваат“ слободен електрон на силициумскиот полупроводнички кристал?

Како се нарекуваат тривалентните примеси, кои „примаат“ по еден валентен електрон од силициумскиот полупроводнички кристал?

Специфичната електрична проводност σ , за примесен полупроводник од n-тип гласи:

Изразот за специфичната електрична проводност на полупроводниците е даден со изразот:

5. Електротехнички материјали и елементи - Стручно образование

Прашање

Елементите од IV група на Периодниот систем како што се германиумот (Ge) и силициумот (Si) се карактеристични:

Која предност ја има галиум арсенидот (GaAs) во однос на германиумот (Ge) и силициумот (Si)?

Најпогоден материјал за изработка на ласери е :

Голем недостаток на галиум-арсенидот (GaAs) е малата специфична топлинска проводност. На кој начин се решава овој проблем?

Германиумот (Ge) е погоден материјал за изработка на детектори на зрачење. Зошто?

Германиумот (Ge) се употребува при изработката на детектори за инфрацрвено зрачење. Зошто?

Галиум арсенидот (GaAs), како полупроводно соединение, се користи таму каде што се бара:

Најквалитетни биполарни транзистори и интегрални кола се прават од:

5. Електротехнички материјали и елементи - Стручно образование

Прашање

Какви се термалните брзини на електроните?

Галиум-арсенидот (GaAs) е многу погоден за изработка на ласери. Зошто?

Најдобар топлотен проводник во природата е :

Колку изводи имаат диодите?

Зенер-диодите се употребуваат како:

Какви видови транзистори се NPN и PNP транзисторите?

Колку изводи имаат биполарните транзистори?

Тиристорите се полупроводнички елементи кои се користат како:

Дебелослојните интегрирани кола содржат само пасивни компоненти и тоа:

Од што се составени интегрираните кола?

За што се употребува цинк-селенидот(ZnSe)?

5. Електротехнички материјали и елементи - Стручно образование

Прашање

Кој од следните материјали НЕ Е полупроводно соединение?

Која од следниве постапки претставува „планарна постапка“ при изработка на интегрирани кола?

Каде се користат тунел-диодите?

Кои диоди емитураат светлина?

Кои диоди се главни компоненти во оптокомпонентите?

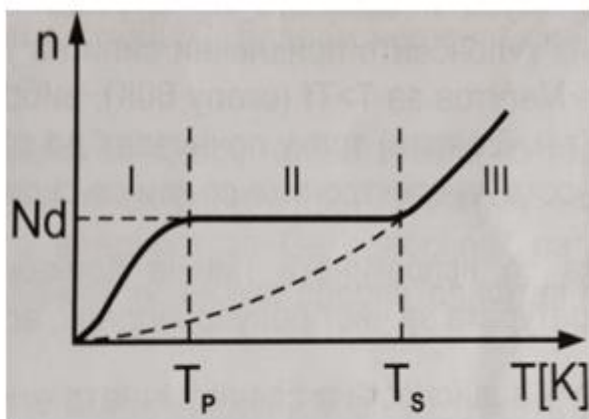
Кога се вели дека диодата е директно поларизирана?

Кога се вели дека диодата е инверзно поларизирана?

5. Електротехнички материјали и елементи - Стручно образование

Прашање

Што претставува графикот претставен на сликата?



Триакот се користи за:

Каков материјал е дијамантот?

Какви можат да бидат молекуларните прекинувачи според потеклото?

Иако е диелектрик, дијамантот се применува и во:

За што се користат транзисторите во електронските кола?

5. Електротехнички материјали и елементи - Стручно образование

Прашање

Како се означуваат европските диоди?

Колкава струја протекува низ диодата при директна поларизација?

Од колку P-N споеви се состои диодата?

На кој начин полупроводните материјали можат да станат проводни ?

Колку изнесува ширината на забранетата енергетска зона (енергетски процеп) кај полупроводните материјали ?

Која хемиска врска е застапена кај силициумот (Si) и германиумот (Ge)?

Диодите имаат улога на:

Диодата е исправна кога отпорот е:

Полупроводниците речиси исклучиво се изработуваат во облик на монокристали. Зошто?

На ниски температури полупроводниците се однесуваат како:

5. Електротехнички материјали и елементи - Стручно образование

Прашање

Полупроводник од N-тип се добива кога во кристалната решетка на чист полупроводник се додадат:

Полупроводник од P-тип се добива кога во кристалната решетка на чист полупроводник се додадат:

До развојот на интегрираните кола, како полупроводен материјал најмногу се користел:

Колку изнесува специфичната топлинска проводност на дијамантот?

За што се употребува германиумот?

Поради големиот енергетски процеп, полупроводните компоненти на база на дијамант би имале висока работна температура и тоа:

Карактеристична за диодите е вредноста на нивниот отпор, која е:

Каде се употребуваат Шоткиевите диоди?

Полупроводниците кај кои концентрацијата на слободни електрони и празнини е иста ($n=p$), се нарекуваат:

5. Електротехнички материјали и елементи - Стручно образование

Прашање

Какви својства се добиваат ако на галиум-арсенидот (GaAs) му се додаде хром (Cr) како примес?

Дијамантот и графитот се две алотропски модификации на:

Каков материјал е Селенот (Se)?

Со постапката на Чохралски се добиваат монокристални примероци на силициум, наречени:

Колку изнесува температурата на топење на силициумот (Si)?

Со методот на „лебдечка зона“ се добива:

Наједноставна постапка за добивање на тенкослојни монокристали е:

Повеќето диоди се направени од силициум, бидејќи издржуваат:

Каде се употребува варикап диодата ?

Каде се применуваат LED –екраните?

5. Електротехнички материјали и елементи - Стручно образование

Прашање

Кај европскиот начин на означувањето на диодите, ако првата буква е А, тоа значи дека диодата е :

Кои се други начини на означување на диодите освен европскиот начин на означување ?

Најчесто користени видови транзистори се:

За што се употребуваат биполарните транзистори?

Тиристорот проведува струја кога анодата е позитивна во однос на катодата, но само ако:

Зошто галиум-арсенидот (GaAs) НЕ се користи за изработка на биполарни транзистори?

Германиумот (Ge) е погоден за изработка на детектори на зрачење поради:

Колку изнесува температурата на топење на графитот?

За што се употребува графитот како елементарен полупроводен материјал?

5. Електротехнички материјали и елементи - Стручно образование

Прашање

Силициум-карбидот (SiC) како полупроводен материјал, поради високата работна температура, се употребува за :

Кое од следниве својства НЕ Е застапено кај дијамантот?

Што се подразбира под „планарна технологија“?

Кој од следниве полупроводни елементи НЕ е диода?

Според начинот на кој се произведени, интегрираните кола можат да бидат:

Нанотехнологијата се занимава со изучување на материјалите и процесите кои се поврзани со димензии од:

Како се нарекуваат изводите кај биполарните транзистори?

Како се нарекуваат изводите кај тиристорот?

Тиристорите во некои шеми се означуваат како SCR, што значи:

Која е главна карактеристика на дијакот?

Што претставува дијакот?

5. Електротехнички материјали и елементи - Стручно образование

Прашање

Интегрираниот аудио засилувач е типичен претставник на:

Интегрираните кола за големи моќности имаат метален дел. Која е неговата улога?

Полупроводниците можат да станат проводни:

Зошто pnp и npn транзисторите се наречени „биполарни транзистори“?

Зошто MOSFET транзисторите се наречени „униполарни“?

Кога Y е втората буква во ознаката на Зенер диодата ($ZY10$, $ZY30$), тоа значи дека таа е наменета за:

Што е рекомбинација?

Кои се полупроводници од N -тип?

Кои се полупроводници од P -тип?

Кои се LED-диоди?

На кој принцип работи LED-диодата?

5. Електротехнички материјали и елементи - Стручно образование

Прашање

Какви карактеристики имаат слојните пасивни компоненти?

Емулзиите се составени од две фази при што:

Суспензиите се составени од две фази при што:

Колку изнесува ширината на забранетата енергетска зона (енергетски процеп) кај диелектричните материјали?

Кои кабли имаат најширок преносен опсег?

Како се однесуваат диелектричните материјали на собна температура во однос на електричната проводност?

За што се користи постапката наречена „електрофореза“?

Во ретки случаи електричните полиња можат да предизвикаат разложување на диелектричниот материјал. Како се нарекува оваа појава?

Што се случува со Џуловите загуби во диелектричните материјали при зголемување на температурата?

Што се случува со електричната проводност на диелектричните материјали при зголемување на температурата?

5. Електротехнички материјали и елементи - Стручно образование

Прашање

Кај кои диелектрични материјали најчесто се јавуваат диелектричните загуби поради јонизација?

Каков карактер има електронската поларизација кај диелектриците?

Кој вид на поларизација е присутен кај сите диелектрици?

Поларизабилноста ја дава врската помеѓу локалното електрично поле и:

Колку изнесува работната температура на термопластичниот полиетилен?

Колку изнесува работната температура на силиконската гума?

Колкав преносен опсег имаат бакарните коаксијални кабли?

Заштитните слоеви кај енергетските кабли служат за:

Од телекомуникациските кабли се бара да имаат:

Каква функција има плаштот во енергетските кабли?

Основни елементи на телекомуникациските бакарни жичани кабли се:

5. Електротехнички материјали и елементи - Стручно образование

Прашање

Што претставува фактор на диелектричните загуби $\text{tg}\delta$?

Во кој случај диелектричните загуби ќе бидат помали?

Кондукционата струја кај цврстите и течните диелектрици се состои од две компоненти. Кои се тие?

Во кои електрични уреди се користат чип-кондензаторите?

Кој вид на поларизација е присутен кај синтетичките полимери ?

Каков вид на изолација се користи за изолирање на проводници и кабли во авиоиндустријата?

Полиуретанот се добива со постапка наречена:

За изработка на лакови за лакирање на жици најдобар изолационен материјал е:

Каков вид на изолација се користи за изолирање на проводници и кабли за воени цели (оклопни возила и сл.)?

Поливинилхлоридот НЕ СЕ применува за изолација на кабли за висок напон. Зошто?

5. Електротехнички материјали и елементи - Стручно образование

Прашање

Кабловското масло се користи за импрегнирање на хартиена изолација кај кабли за високи напони . Зошто?

Што е електрофореза?

За што се употребува кабловското масло ?

Што е тоа полимеризација?

Каде се употребува сувиот воздух како изолационен материјал?

Каква поларизација имаат најдобрите изолатори полиетиленот и тефлонот?

Како се добива полиетиленот ?

Каква улога има арматурата кај енергетските кабли?

Елгас (сулфурен хексафлуорид SF6) има неколку пати поголема диелектрична цврстина од воздухот поради способноста да:

Идните оптички кабли ќе содржат оптички засилувачи со кварцно влакно од:

5. Електротехнички материјали и елементи - Стручно образование

Прашање

За што се употребува кварцното стакло како изолационен материјал?

Зошто мономодните оптички влакна се поповолни од мултимодните?

Од телекомуникационите кабли најдобри карактеристики имаат:

Рутилните керамики се употребуваат како:

Старењето на диелектричниот материјал ја намалува диелектричната цврстина поради хемиските промени што се резултат на:

Во електричниот пробив кај тврдите диелектрици учествуваат:

За што се употребува тантал –оксидот (Ta_2O_5) како кондензаторски материјал?

Што претставува p во изразот $p=q d$, каде што d е растојанието помеѓу центрите на позитивните и негативните наелектризирања?

Каков диелектрик се користи кај променливите кондензатори кои имаат плочеста конструкција ?

Кое е главно својство на пиезоелектриците?

5. Електротехнички материјали и елементи - Стручно образование

Прашање

Каков материјал треба да се употреби за изработка на кондензатор со најголема капацитивност по единица волумен ?

Најголем недостаток на фeroелектричните керамики е:

Од што зависи диелектричната цврстина на гасовитите диелектрични материјали?

Какви уреди можат да се изработуваат од пироелектрични материјали?

Пиезоелектричните материјали се користат за изработка на:

Каде се применуваат хартиените кондензатори?

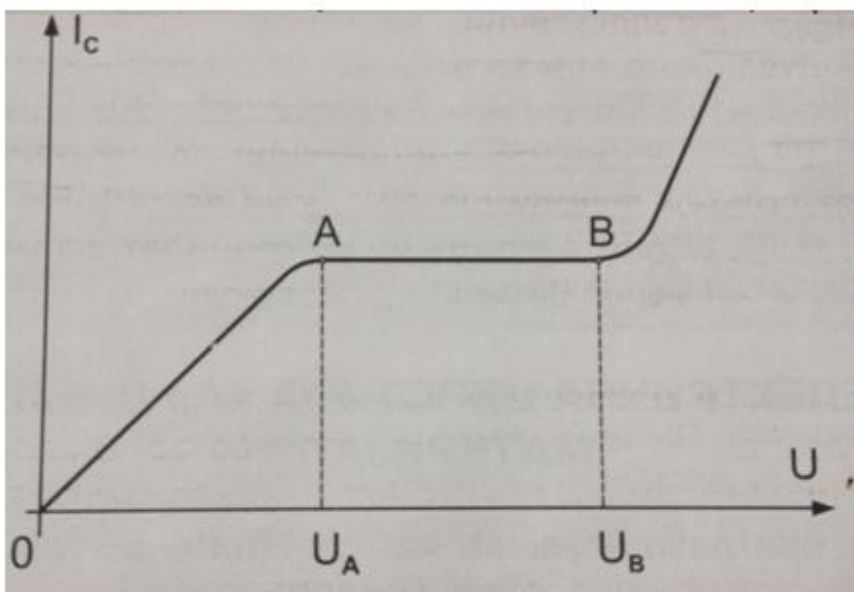
Што претставува напон на пробив U_{pr} ?

Што се случува со гасовитите диелектрици после електричниот пробив?

5. Електротехнички материјали и елементи - Стручно образование

Прашање

На сликата е претставена зависноста на кондукционата струја од напонот кај гасовитите диелектрици. Кој дел од графикот претставува подрачје на ударна јонизација?



Оптичките мемории се изработуваат во вид на :

Кои загуби НЕ постојат кај диелектричните материјали?

Од што зависи диелектричната цврстина кај течните диелектрици?

Главна особина на течните кристали е дека се крајно осетливи на надворешни влијанија како што се :

5. Електротехнички материјали и елементи - Стручно образование

Прашање

Запишувањето на податоци кај оптичката меморија се врши со помош на:

Кое тврдење е точно? Отчитувањето на информациите кај магнетно-оптичките мемориски елементи се врши со помош на Кервиот ефект, при што:

Каква структура имаат течните кристали?

Што се тоа диелектрични загуби?

Кое тврдење е точно? Кај диелектричните материјали, на собна температура, проводната зона е:

Што покажува релативната диелектрична пермеабилност, односно пропустливост ϵ_r ?

Како се поделени диелектриците според изолационите својства?

Кои од следниве честички НЕ СЕ носители на електричната струја кај диелектричните материјали?

Од што е составена основната структура на течно-кристалните дисплеи?

5. Електротехнички материјали и елементи - Стручно образование

Прашање

Од каков вид на специјални диелектрични материјали се изработуваат микрофони, звучници и слушалки?

Магнетниот момент на атомот е векторски збир од магнетните моменти на :

Што ќе се случи со магнетните својства на магнетните материјали ако тие се изложат на температура повисока од критичната?

Една од карактеристичните точки кај хистерезисната крива е т.н. реманентна (заостаната) индукција. Што е тоа?

Каква улога имаат магнетните јадра кај трансформаторите?

Какви јадра имаат трансформаторите за многу високи фреквенции?

Кое тврдење е точно? Контактите на релеите за сигурен електричен спој треба да имаат:

Магнетната хистереза на тврдите магнетни материјали е:

Кое тврдења е точно во однос на магнетните својства на материјалите?

5. Електротехнички материјали и елементи - Стручно образование

Прашање

Како се нарекува граничната температура под која феримагнетните материјали ги губат магнетните својства ?

Што е тоа магнетострикција?

Кои магнетни јадра имаат најмали магнетни загуби?

Кои материјали НЕМААТ јаки магнетни својства?

Главна примена на магнетните мемории е во:

За изработка на магнетни јадра на мрежни фреквенции (50Hz) најмногу се применува легурата:

Магнетострикцијата наоѓа примена и за:

Кој магнетен материјал е најсоодветно да се употреби за изработка на јадро на електрична машина?

Како симболично се означуваат логичките кола со меурести магнетни домени?

Што претставува магнетен момент на атомот?

5. Електротехнички материјали и елементи - Стручно образование

Прашање

Кои од наведените материјали имаат слаби магнетни својства?

Кои од материјалите со јаки магнетни својства имаат најмала практична примена?

Како се ориентирани соседните магнетни диполи кај антиферомагнетните материјали?

Што се случува со магнетните материјали (феромагнетни и феримагнетни) при температура повисока од критичната T_{cr} ?

Од какви материјали се изработуваат перманентните (постојаните) магнети?

Од што зависат загубите поради виорни струи?

Што е коерцитивно поле?

Енергетскиот производ $(BH)_{max}$ се наоѓа во:

Како можат да се намалат загубите поради виорни струи кај меките магнетни материјали?

5. Електротехнички материјали и елементи - Стручно образование

Прашање

Колку изнесува вредноста на коерцитивното поле H_c кај меките магнетни материјали?

Колку изнесува вредноста на коерцитивното поле H_c кај тврдите магнетни материјали?

Зошто меките магнетни материјали треба да имаат што поголема специфична електрична отпорност ρ ?

Структурата на магнетните материјали најчесто е:

На кој начин можат да се магнетизираат феромагнетните и феримагнетните материјали?

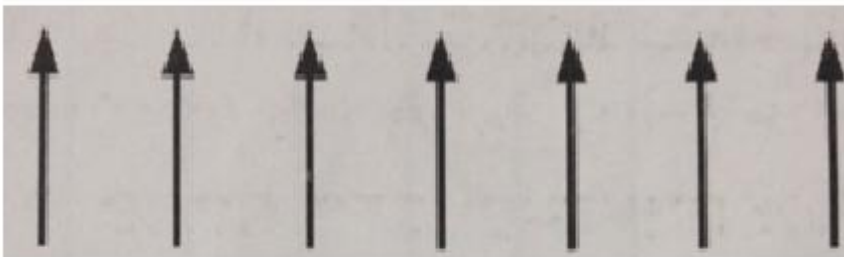
Хистерезисната крива кај магнетните материјали ја претставува зависноста на:

Хистерезисната крива $B(H)$ се наоѓа во :

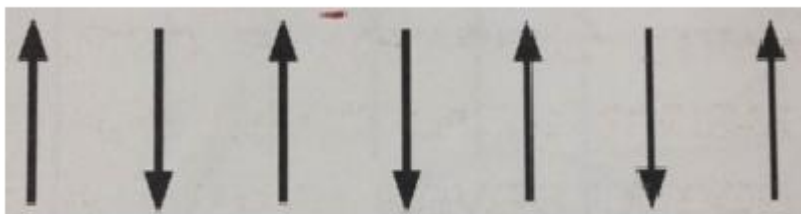
5. Електротехнички материјали и елементи - Стручно образование

Прашање

На сликата е претставен шематски приказ на големината и насоката на магнетните моменти кај еден магнетен материјал. За кој материјал се работи?



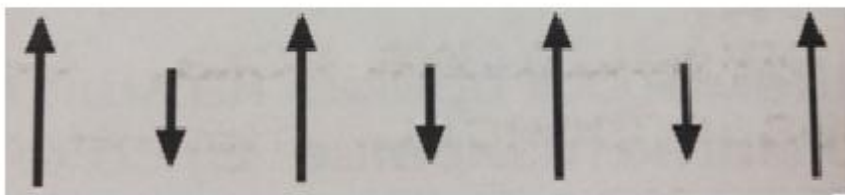
На сликата е претставен шематски приказ на големината и насоката на магнетните моменти кај еден магнетен материјал. За кој материјал се работи?



5. Електротехнички материјали и елементи - Стручно образование

Прашање

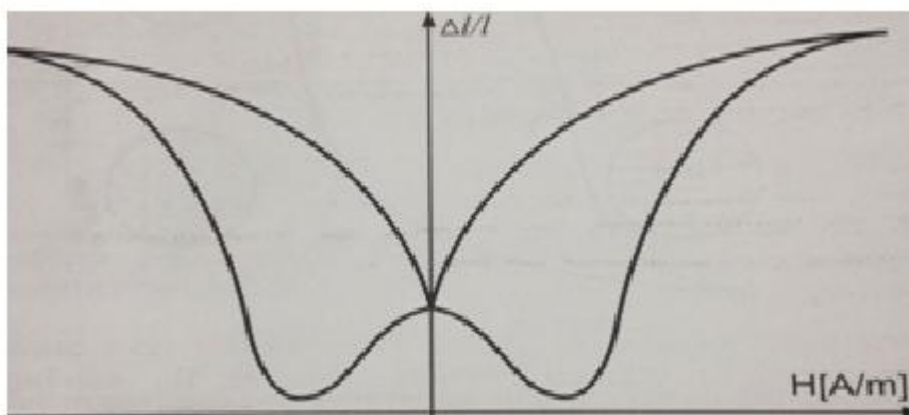
На сликата е претставен шематски приказ на големината и насоката на магнетните моменти кај еден магнетен материјал. За кој материјал се работи?



Што е тоа Кириева температура?

Што е тоа Нилова температура?

Што претставува графикот претставен на сликата?



5. Електротехнички материјали и елементи - Стручно образование

Прашање

Како се вика уредот со кој може да се откриваат јата риби под површината на морињата и океаните?

На кој начин може да се измери дебелината на карпите и да се откријат дефекти во сидовите?

Каква примена имаат аморфните меки магнетни материјали во магнетомерната техника?

Легурите на железо и силициум (Fe-Si) се меѓу најпознатите меки магнетни материјали. За што се употребуваат?

Според кои параметри се избира материјалот за магнетните јадра на трансформаторите?

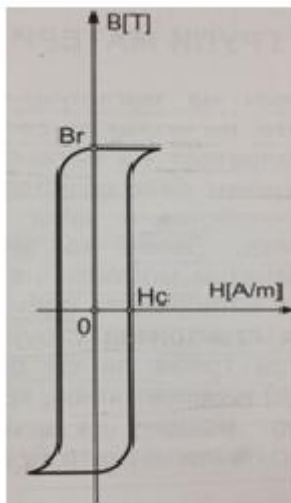
Легурите пермалој и суперпермалој се легури на:

Во кој случај кај магнетниот материјал може да настане спонтано магнетизирање?

5. Електротехнички материјали и елементи - Стручно образование

Прашање

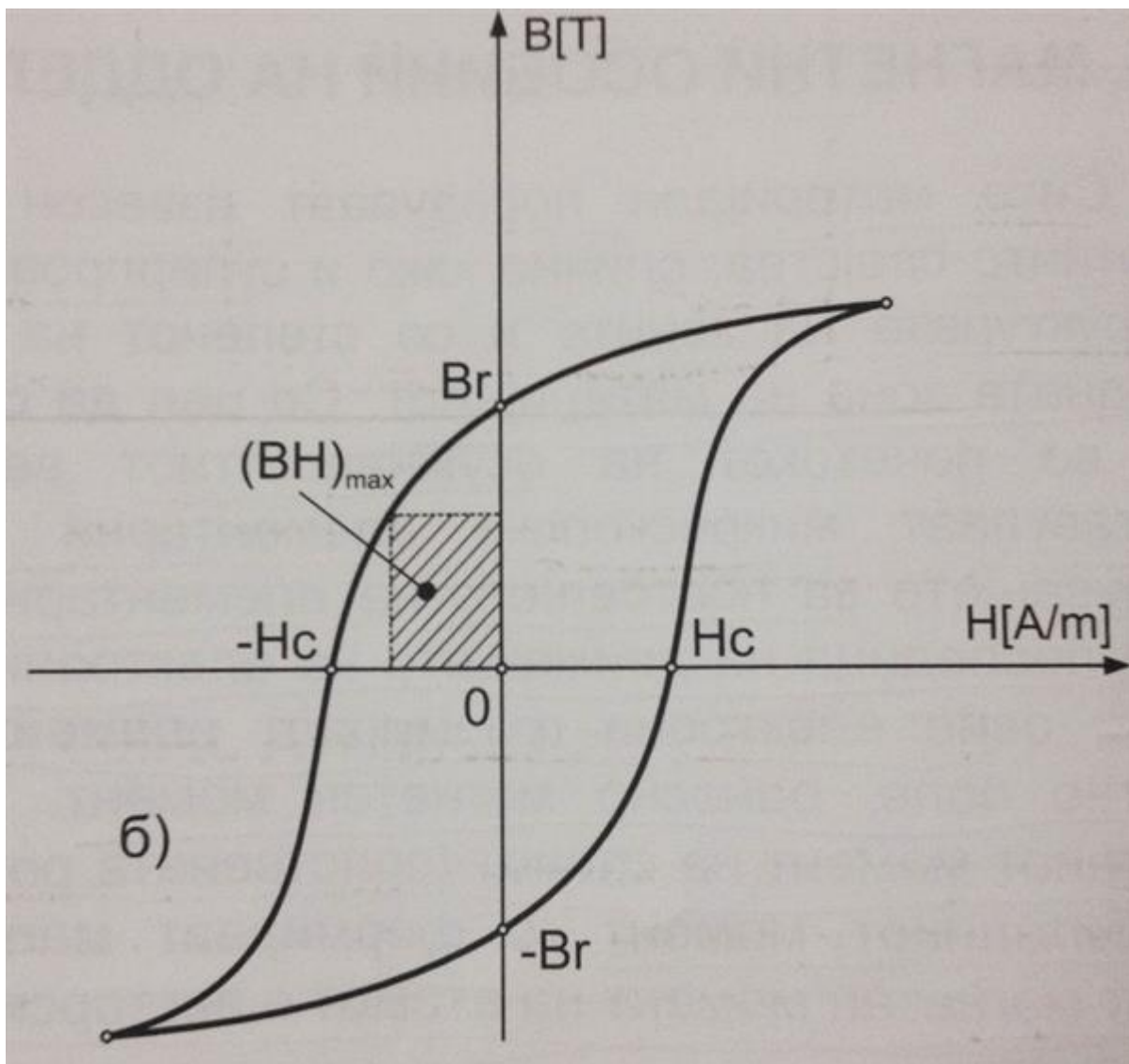
На сликата е претставен обликот на хистерезисната крива на еден вид магнетен материјал. За каков вид на материјал се работи?



5. Електротехнички материјали и елементи - Стручно образование

Прашање

На сликата е претставен обликот на хистерезисната крива на еден вид магнетен материјал. За каков вид на материјал се работи?



5. Електротехнички материјали и елементи - Стручно образование

Прашање

При температури повисоки од критичната T_{cr} , феромагнетните и феримагнетните материјали преминуваат во:

Една од карактеристичните точки кај хистерезисната крива е т.н. коерцитивно поле. Тоа е она магнетно поле при кое:

Магнетострикцијата најпрво се користела за добивање на:

Какви вредности на реманентната индукција B_r и коерцитивното поле H_c имаат меките магнетни материјали?

Какви вредности на реманентната индукција B_r и коерцитивното поле H_c имаат тврдите магнетни материјали?

Што се постигнува со употребата на повеќеслојните калеми?

Каков материјал се употребува за изработка на намотки кај трансформаторите?

Со зголемување на индуктивноста на калемот можно е истовремено да се намалат неговите димензии. На кој начин може да се постигне тоа?

Отворените јадра (со кратки и долги цилиндрични калеми) треба да бидат заштитени со магнетен оклоп. Зошто?

5. Електротехнички материјали и елементи - Стручно образование

Прашање

За мрежни фреквенции (50 Hz), магнетните јадра на калемите (пригушниците) се изработуваат од:

Загубите во лимовите од легури на железо-силициум (Fe-Si), добиени со топло валање, можат да се намалат. На кој начин?

Магнетните јадра на калемите ретко се изработуваат од легури на железоникел (Fe-Ni) заради

Дебелината на трансформаторските лимови изработени од легура на железо-силициум (Fe-Si), најчесто изнесува:

Која од следниве функции ја извршуваат релеите?

Каква примена имаат AlNiCo легурите?

Каков вид магнетни материјали се бариум-феритите и стронциум-феритите?

Што означува кратенката MMD?

За што се применуваат тврдите ферити од типот на бариум-ферити и стронциум-ферити?

Легурите на железо и никел (Fe-Ni) имаат примена во компјутерските магнетни мемории, магнетни засилувачи и др. поради :

5. Електротехнички материјали и елементи - Стручно образование

Прашање

Како се поделени релеите според општата поделба?

На што е заснован принципот на работа на електромагнетните релеи?

Магнетната хистереза е пропорционална со:

Што претставува максимална релативна магнетна пропустливост?

На кој принцип функционираат биметалите кои реагираат под дејство на магнетострикција?

Поради големата почетна релативна магнетна пропустливост μ_r , меките ферити (Ni-Zn, Mn-Zn) се погодни за изградба на:

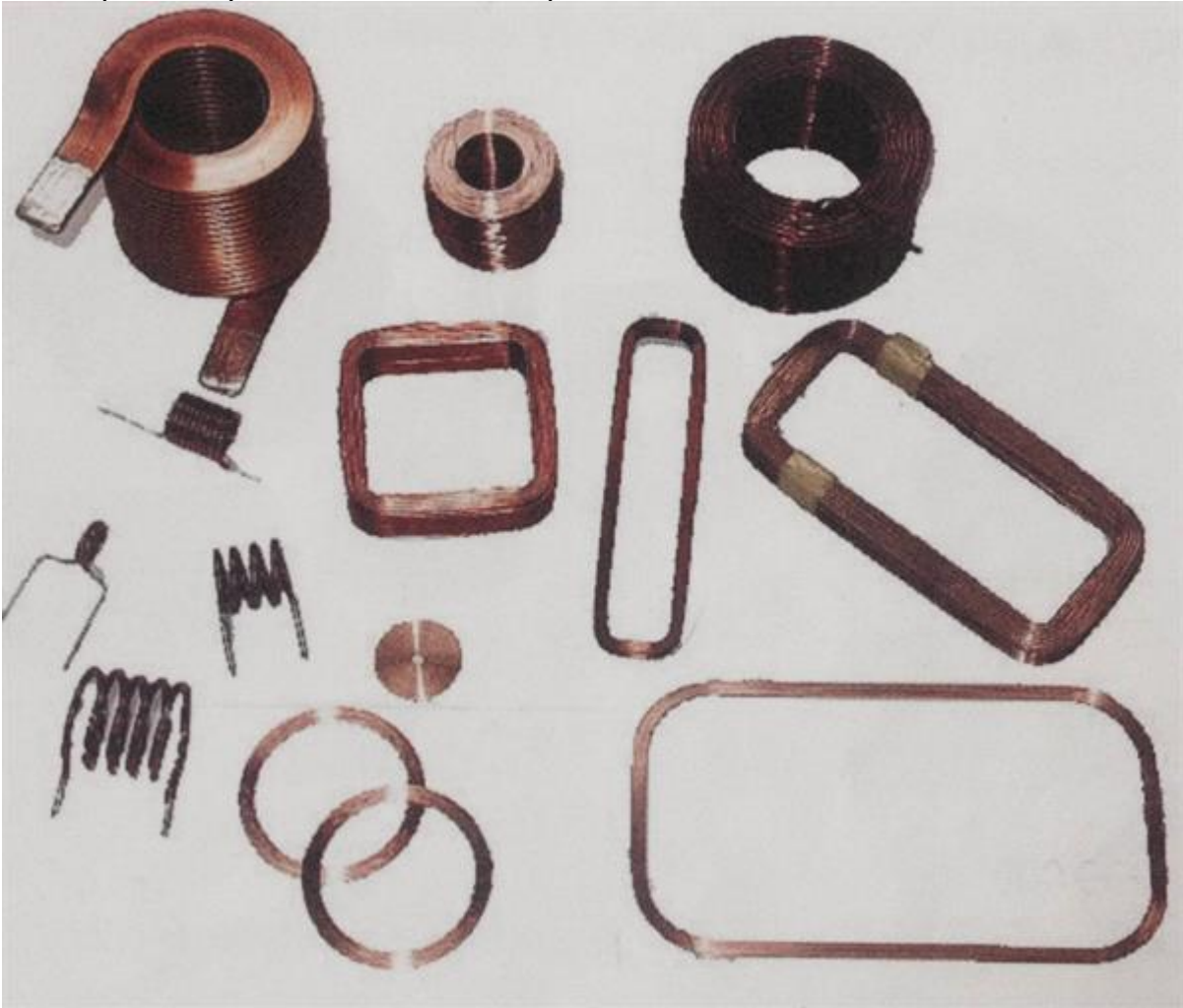
Кај некои видови релеи контактите се херметички затворени во затворено стаклено куќиште. Што се постигнува со тоа?

Каква структура има магнетниот медиум кај магнетните меурести мемории?

5. Електротехнички материјали и елементи - Стручно образование

Прашање

Што претставуваат елементите претставени на сликата?



Што е заедничко за сите релеи?

На кој принцип се базираат логичките кола со меурести магнетни домени (MMD)?

6. Информатика - Општо образование

Прашање

За што се користат вгнездените компјутери?

Пренесувањето на податоците меѓу деловите на компјутерот се изведува преку:

Како се нарекува делот во куќиштето кој овозможува поврзување на сите хардверски елементи?

Во која компјутерска единица се сместени почетните инструкции за стартување на компјутерот ?

Повеќето компјутери при успешно стартување произведуваат звук. При стартување на твојот компјутер недостасува овој звук. Што од наведеното ПРВО треба да го провериш?

Што од наведеното е најважна функција на контролната единица?

Кој од наведените записи за количество информација е правилно напишан?

Колку знаци може да се претстават со 850В?

Што од наведеното претставува системски софтвер?

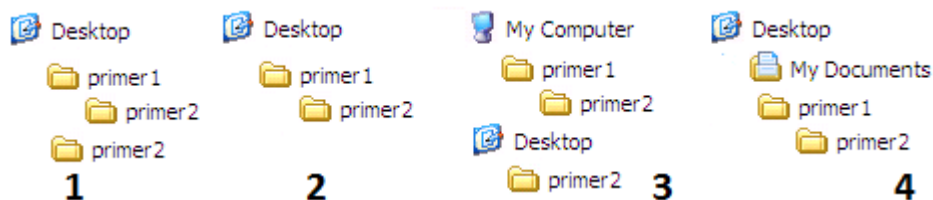
Со кој од наведените програми може да се обработува звук и видео записи?

Која од следните функции ја извршува оперативниот систем?

6. Информатика - Општо образование

Прашање

На работната површина (десктоп) направени се две папки со име – primer 1 и primer 2 соодветно. Папката primer 2 е отсечена и вметната во primer 1. По преземените активности, точната состојба е прикажана со сликата под број:



Што од наведеното овозможува брзо и едноставно пронаоѓање на поими во енциклопедија?

Како се нарекува документ кој содржи полиња за контрола?

Која непроменлива компонента неопходно ја содржи еден формулар креиран во програма за обработка на текст?

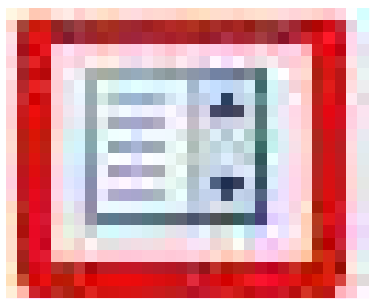
6. Информатика - Општо образование

Прашање

Што од наведеното е претставено на сликата?

3 Уредувач на текст	77
3.1 Отворање и затворање на уредувачот	77
3.2 Изработка на документ	78
3.2.1 Начин на гледање на отворен документ	78
3.2.2 Внесување на текст во документот	78
3.2.3 Промена на големина, тип, стил и боја на фонт	80
3.2.4 Стилони	81
3.2.5 Автоматско нумерирање на страници	83
3.2.6 Автоматско креирање на содржина	84
3.2.7 Креирање индекси	85
3.3 Заштита на документите	88

За што служи алатката прикажана на сликата ?



6. Информатика - Општо образование

Прашање

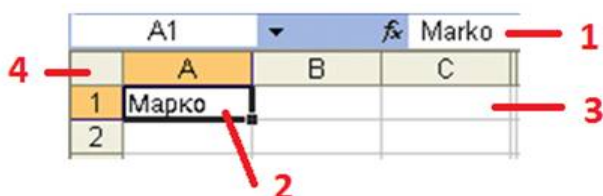
Употребата на алатката прикажана на сликата овозможува да се :



Учениците од едно училиште треба во електронска форма да прибираат податоци за најчесто користени апликации. Испитаниците во формата ќе можат само да одбираат некој од понудените одговори. Каков документ треба да изготват учениците?

Кој знак се користи за операцијата делење во програма за табеларни пресметувања?

Со кој број е означена лентата за внесување формули на зададената слика?



Со кој израз е дефиниран опсегот на ќелии почнувајќи од ќелијата B1 а завршуваат во колоната G и се протегаат 10 ќелии надолу?

6. Информатика - Општо образование

Прашање

Што од наведеното овозможува релативното адресирање?

Која вредност ќе се прикаже во ќелијата В3 ако ја примениме формулата запишана во ќелијата А3?

	A	B	C	D
1	1	2	3	
2	4	5	6	
3	=B1+A2			

Во програма за табеларни пресметувања изработен е графикон за податоците од една табела. Што од наведеното е точно?

Кои вредности кои ќе се прикажат во преостанатите ќелии ако се примени автоматско пополнување на празните ќелии?

здраво
hello

6. Информатика - Општо образование

Прашање

Кои вредности ќе се прикажат во ќелиите A2, A3 и A4 по извршување на зададените формули во програма за табеларни пресметувања?

	A
1	1
2	=A1+5
3	=A1*A2
4	=A3/A2

Со изразот Матура!C4:B5 дефинирана е адреса за:

Каков облик ќе добие референцата &D4 ако се копира во друга колона?

6. Информатика - Општо образование

Прашање

Според прикажаните податоци во табелата, на графиконот е претставен:



Во програма за табеларни пресметувања направена е табела „Продажба на играчки“. Како ќе ја пресметаш вкупната продажба на играчки и која играчка најмалку се продавала?

	A	B	C	D
1	Продукт	Продавница 1	Продавница 2	Продавница 3
2	Кукли	2345	6543	2341
3	Колички	3452	654	765
4	Сложувалки	1234	432	2543

6. Информатика - Општо образование

Прашање

Во програма за табеларни пресметувања направена е табела за роденденски трошоци. Со која формула ќе ги пресметаш трошоците за првиот продукт и потоа ќе ја користиш за автоматско пополнување при пресметките за останатите продукти?

	A	B	C	D
1	Производ	Количина	Цена	Вредност
2	торта	1	650,00	
3	сендвичи	15	50,00	
4	сокови	8	6,00	
5	чипс	4	75,00	
6	смоки	5	10,00	
7	соленки	5	11,00	

Кој од наведените поими се користи како алатка за изработка на веб-страници?

Како се нарекува компјутерската мрежа во која учениците може да заеднички да користат печатачи и датотеки?

Што е потребно да се постави во една училница за да се обезбеди пристап на сите компјутери до мрежен печатач?

Што од наведеното користат веб-прегледниците за лоцирање на веб-страница на Интернет?

Која од следните референци го определува протоколот во URL адресата <http://www.dzlp.mk>?

6. Информатика - Општо образование

Прашање

Доколку во адресната лента на веб-страницата видлива е иконата на прикажаната слика, тоа значи дека:



Кои уреди може да се користат мрежно?

Што од наведеното е карактеристика на Веб 2.0?

Што од наведеното е точно за Блогот и за Википедија?

Како се нарекува систем кој овозможува корисниците да бараат информации од централниот компјутер ?

Сакаш да си дел од online заедница која ќе креира образовна веб-страница и ќе им дозволува на членовите да додаваат и да менуваат информации. Каков вид на веб-страна е потребна?

Што треба да се постави во компјутерската мрежа за да се контролира пристапот до нејзините ресурси?

6. Информатика - Општо образование

Прашање

Од што е составена азбуката на вишите програмски јазици?

Кои вредности ќе ги добијат променливите дефинирани со изразот $x=y=z=0$?

Која е улогата на програмата за преведување?

Каква грешка е направена при користење на изразот за Питагоровата теорема $c^2 = a^2 - b^2$ во еден програмски код?

Кои од наведените програми се вградени во интегрирана развојна околина за програмирање?

Какво значење има употребата на наредбата "break" во даден програмски сегмент?

Кој од наведените изрази ќе предизвика бесконечно извршување на даден програмски сегмент?

Што од наведеното точно го дефинира значењето на употребата на операторот ++?

Која вредност се испраќа до оперативниот систем за успешно извршување на програмата?

Што од наведеното НЕ е тип на променлива?

Што од наведеното претставуваат променливите?

6. Информатика - Општо образование

Прашање

За што се користи изразот `cout` во програмскиот јазик C++?

Што од наведеното не може да се користи како идентификатор?

Кој од наведените идентификатори е погрешно напишан?

Кој израз нема да овозможи зголемување на вредноста на променливата `c`?

Определи која вредност ќе се прикаже по извршување на следните наредби.

```
x=16; y=10; z=y+x; if (x>=z) z=z+x; else z=z-y; cout<<z;
```

Каква вредност имаат променливите кои се декларирани но не и иницијализирани, во програмскиот јазик C++?

Што од наведеното претставува правилно напишан коментар?

Што е дефинирано со следниот израз?
`const int visina=100;`

6. Информатика - Општо образование

Прашање

Определи со кој број е означен изразот кој е запишан неправилно.

1. $a = 2 + (b = 5);$
2. $a = b = c = 5;$
3. $a = 11 \% 3;$
4. $a*a=a*5$

Кои вредности ќе добијат променливите a и b по извршување на следниот програмскиот сегмент?

```
b=3;  
a=b++
```

```
#include <iostream>  
using namespace std;  
int main ()  
{int x;cout<<"Bravo";return 0;}  
Со која линија е означен почетокот на програмата?
```

6. Информатика - Општо образование

Прашање

Процесот на пишување програма се состои од четири фази:

1. преведување на изворен код,
2. тестирање на програма,
3. поврзување во извршен код,
4. пишување на изворен код.

Определи го правилниот редослед на прогармирање.

Определи кои вредности ќе ги добијат променливите a и b по извршување на следниот програмски сегмент.

```
int main()
{
  int a=2,b=3;
  if ((a==2) || (b++==4))
  cout<<"браво";
  return 0;
}
```

Определи што ќе се прикаже на екранот по извршување на следниот програмски сегмент.

```
int a=5; int b=3; if(a>b) { cout<<a+b<<endl; cout<<a-b<<endl; }
else { cout<<a/b<<endl; cout<<a%b<<endl; }
```

6. Информатика - Општо образование

Прашање

Опреди кој е резултатот по извршување на следниот програмски код.

```
#include <iostream>
using namespace std;
int main()
{
    float број1 = 1.1;
    double број2 = 1.1;
    if (број1 == број2)
        cout << "наставник";
    else
        cout << "Ученик";
return 0;
}
```

Која е разликата меѓу структурите do-while и while при креирање јамка?

Опреди која вредност ќе ја има променливата a по извршување на следниот програмски дел: a = 10; b = 2; if (a > 10 && b < 20) a = a + b; else if (a > 10) a = 2*a + b; else a = 3*a + b;

6. Информатика - Општо образование

Прашање

Кое име ќе се прикаже на екранот по извршување на следниот програмски сегмент?

```
int a=2;
switch (a)
{
  case 0:
    cout <<"Ana";
    break;
  case 1:
    cout <<"Jana";
    break;
  case 2:
    cout <<"Petar";
    break;
  case 3:
    cout <<"Andrej";
    break;
  default: cout << "No name";
}
```

Каков резултат се добива со користење на релациони оператори во програмски код во C++?

Кога ќе се изврши следниот програмски код во кој е употребена наредбата while(x<100)?

Која е разликата меѓу операторите (\n) и endl?

Определи што е погрешно во следниот израз while((i < 10) && (i > 24)).

6. Информатика - Општо образование

Прашање

Разгледај ја декларацијата и определи што е точно.

```
if ( y = 40)
cout<< "x е еднакво на 40"
```

Определи која е вредноста на следниот логички израз $0 \ || \ 1 \ || \ 1 \ \&\& \ 1$.

Колку изнесува вредноста на логичкиот израз $\text{NOT}A \ \text{OR} \ \text{NOT}B \ \text{AND} \ \text{NOT}C$ ако е зададено дека $A = \text{вистина}$, $B = \text{вистина}$, $C = \text{вистина}$.

Определи кој резултат ќе се прикаже на екранот по извршување на следниот програмски сегмент.
 $x = 3; y = -2; \text{if} (2 * x + 3 * y > 0) \text{cout} << (3 * x - 4 * y); \text{else} \text{cout} << (4 * x + 3 * y);$

6. Информатика - Општо образование

Прашање

Која вредност ќе ја добие променливата t по извршување на следниот програмски сегмент?
 $t = 0; \text{for}(i = 1; i \leq 4; i++) \{ \text{for}(j = 1; j \leq i; j++) \}$
 $t = t + 2 * i; \}$

Што ќе се прикаже на екранот по извршување на следниот програмски сегмент?

```
x = 1001001;
p = 1;
d = 0;
while ( x > 0)
{
d = d + x % 10 * p;
x = x / 10;
p = p * 2;
}
cout << d;
```

6. Информатика - Општо образование

Прашање

Што ќе се прикаже на екранот по извршување на следниот програмски сегмент?

```
int main()
{
  int a=10;
  {
    a=20;
  }
  {
    a=30;
    cout<<a<<",";
  }
  cout<<a<<",";
}
cout<<a;
}
```

Што ќе се прикаже на екранот по извршување на следниот програмски сегмент доколку се зададени следните вредности на променливите $a = 30$, $b = 30$ и $c = 30$?
`int a, b, c; cin>>a>>b>>c; if (a < b && a < c) cout<<"Охрид"; else if (b <= c) cout<<"Дебар"; else cout<<"Маврово";`

Определи во кој од наведените алгоритми променливата x ќе ја достигне својата десеткратна вредност и ќе ја зголеми за еден.

6. Информатика - Општо образование

Прашање

Каква пресметка извршува следниот програмски сегмент?

```
#include <iostream>
using namespace std;
int main()
{
int n,a,b;
cin>>n;
a=n%10;
b=n/10;
cout<<a+b<<endl;
return 0;
}
```

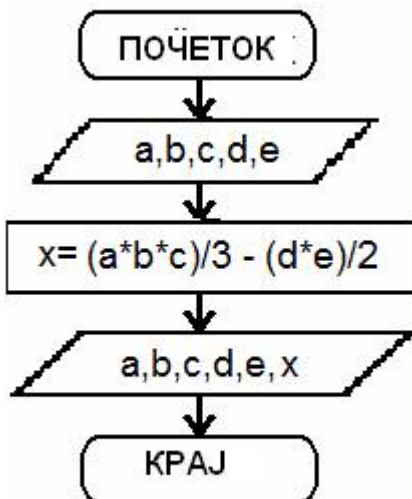
Кој од наведените програмски сегменти ќе го прикаже најголемиот број?

Лирим напишал програма за собирање на два броја но направил грешка. Каде погрешил Лирим?
`int x, y, zbir; zbir=x; zbir+=y; cout >> zbir >> endl;`

6. Информатика - Општо образование

Прашање

Што ќе се прикаже на екранот врз основа на прикажаната програмска шема?



6. Информатика - Општо образование

Прашање

Што ќе се пресмета по извршување на следниот програмски сегмент?

```
#include <iostream>
using namespace std;

int main()
{
    int s=0,br=0,n;
    double as;
    cout<<"Do brojot ";
    cin>>n;

    for(int i=1;i<=n;i+=2)
    {
        ++br;
        s+=i;
    }

    as=s/br;
}
```

6. Информатика - Општо образование

Прашање

На прикажаната слика претставен е текст со различен:

ИНФОРМАТИКАТА Е НАУКА НА ИДНИНАТА
Информатиката наоѓа примена во сите области.
Компјутерот е средство со кое се изучува информатиката.
Со помош на компјутерот се изготвуваат голем број готови продукти:
документи, цртежи, табели, бази на податоци и алгоритми.

ИНФОРМАТИКАТА Е НАУКА НА ИДНИНАТА
Информатиката наоѓа примена во сите области.
Компјутерот е средство со кое се изучува информатиката.
Со помош на компјутерот се изготвуваат голем број готови продукти:
документи, цртежи, табели, бази на податоци и алгоритми.

Во табелата се прикажани просечните температури за градот Скопје во текот на една година. Кој графикон точно ги прикажува дадените податоци?

I	II	III	IV	V	VI	VII	VIII	IX	X	XI	XII
5,6	6,2	8,8	12	17	21	23	23	18	15	10	6,9

Одговори што ќе се прикаже со извршување на следниот програмски код.
`int x = 100; while (x >= 100) { x = x + 100; } cout << x;`

6. Информатика - Општо образование

Прашање

Одреди што ќе се прикаже на екранот по извршување на следниот програмски код:
`int i, zbir; for (i = 1; i <= 20; i++) {If (i % 2 == 0)cout << i;}`

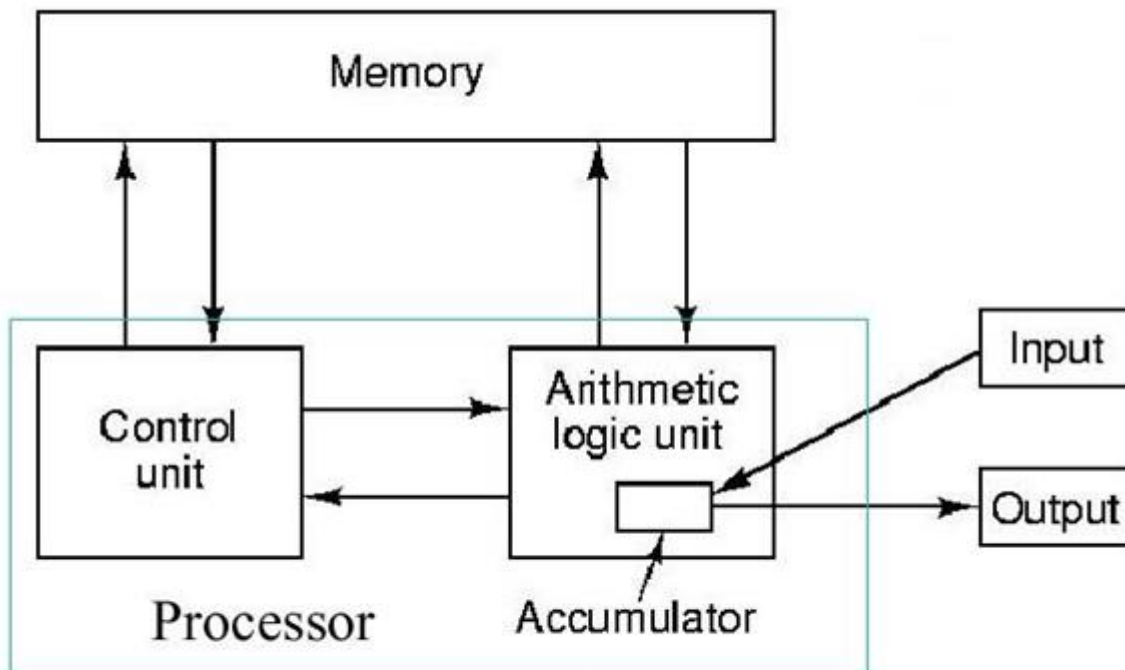
Маја напишала програма за печатење на броевите од 1 до 10. Кога ја превела програмата, преведувачот и јавил грешка. Каде згрешила Маја?
`#include <iostream>using namespace std;int main(){ float x; for (x=1; x<=10; x++){ cout<<x; } return 0;}`

Меморијата во која податоците не се зачувуваат со исклучување на компјутерот се нарекува:

6. Информатика - Општо образование

Прашање

Каков компјутерски модел е прикажан на сликата?



По кој редослед се изведуваат активностите во процесот на обработка на податоци во компјутер?

Со впишување на зборот Информатика во внатрешната меморија на компјутерот ќе се заземе простор од:

6. Информатика - Општо образование

Прашање

Која од понудените конфигурации на компјутер побрзо ќе ги обработи податоците?

понуда1

понуда2

RAPTOR		MODENA	
Processor:P IV Core Duo E2160 1,8GHz		Processor:P IV Core2Duo E2160 1,8GHz	
RAM: 1GB DDR 2, 667 MHz		RAM: 2GB DDR 2, 667 MHz	
тврдиск: 160 GB HDD		тврдиск: 120 GB HDD	
DVD-R 48X (7.2MB/sec)		DVD-RW 16X (21.6MB/sec)	
звучна карта: AudioMAX HD7.1CHTechnology		звучна карта: AudioMAX HD7.1CHTechnology	
звучници: Genius SP-Q06S 120W Active speakers		звучници: Genius SP-Q06S 120W Active speakers	
VGA GeForce7200 GS 256MB DDR PCI-E 16X ,TV		VGA GeForce7200 GS 256MB DDR PCI-E 16X ,TV	
Midi ATX Tower Case 200W		Midi ATX Tower Case 400W	
10/100/1000 Mbps GBE onboard		10/100/1000 Mbps GBE onboard	
Keyboard Genius KB-06X USB/PS2		Keyboard Genius KB-06X USB/PS2	
Genius Netscroll+PS/2 Mouse Optical		Genius Netscroll+PS/2 Mouse Optical	

Компјутерот не би можел да работи доколку не е инсталиран/а:

6. Информатика - Општо образование

Прашање

Што ќе се случи кога папката А со помош на глумчето ќе се повлече во папката Б?

Множество податоци организирани под исто име и сместени на одредена локација на дискот се нарекува:

Доколку сме заборавиле каде сме ја зачувале датотеката:

Оперативните системи ги извршуваат програмите во:

Во структурата прикажана на сликата, доколку на папката со име folder2 се примени тастерот Delete од тастатурата, ќе се избришат папките:



6. Информатика - Општо образование

Прашање

При пишување аритметички формули во програмата за табелирање НЕ Е дозволена употребата на операторот:

Кој од наведените оператори ќе овозможи комбинирање и соединување на податоци од различни ќелии и нивно сместување во трета ќелија?

Која ќелија е апсолутно адресирана во изразот $=B4*\&B\&5 + C3*D5$?

Податоците во една табела може да се заштитат со креирање:

Со која од наведените функции е добиен податокот во ќелијата A4?

	A	B
1	3	
2	6	
3	2	
4	3	

Во програмата за табеларни пресметувања, во ќелијата A2 внесен е бројот 15. Кој е точниот резултат по пресметувањето на формулата $"=A2/3+3^2"$?

Во програмата за табеларни пресметувања, функцијата $SUMIF(A1:A9; A1; B1:B9)$ ќе ги користи вредностите кои се наоѓаат во ќелиите:

6. Информатика - Општо образование

Прашање

Која вредност ќе се запише во ќелијата D4 со користење на формулата $=B3*C3^A3$?

	A	B	C	D
1	3	2	9	
2	6	3	8	
3	2	4	7	
4	3	5	3	

На сликата е прикажано користење на автоматско пополнување во колоната F. Според која функција ќе се пресмета резултатот во ќелијата F3?

F2 fx =COUNTIF(B2:E5;">14")

	A	B	C	D	E	F
1	Име на фирма	монитори	куќишта	тастатури	вкупно продадени	
2	APPLE	14	11	15	40	7
3	DELL	15	10	12	37	
4	HP	10	14	11	35	
5	LENOVO	14	12	15	41	

6. Информатика - Општо образование

Прашање

Според податоците прикажани на сликата и користење на наведената функција ќе се пресмета заработката во продавниците со компутерски уреди:

F12		fx =SUMIF(E3:E7;">15";F3:F7)				
	A	B	C	D	E	F
1	реден број	монитори	куќишта	тастатури	вкупно продадени	заработка
2	продавница 1	14	11	15	40	45.000 ден.
3	продавница 2	15	10	12	37	35.000 ден.
4	продавница 3	10	14	11	35	15.000 ден.
5	продавница 4	14	12	15	41	50.000 ден.

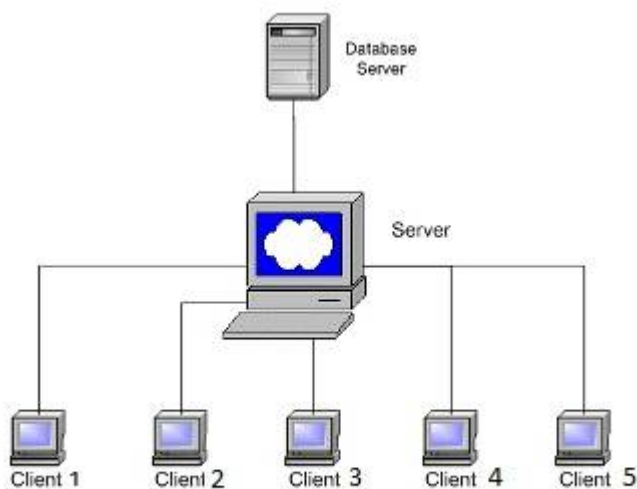
Што од наведеното НЕ Е веб-пребарувач:

Веб-страниците чија содржина е организирана според значењето на информациите се нарекуваат:

6. Информатика - Општо образование

Прашање

Кои компјутери ќе продолжат да разменуваат податоци со серверот, доколку компјутерот со име client 2 се исклучи од мрежата?



Една компјутерска мрежа е поврзана со хаб. Каде ќе биде насочен сигналот во компјутерската мрежа кој е испратен од еден компјутер ?

Комуникацијата во компјутерска мрежа од типот peer to peer се одвива меѓу:

Која вредност за IP адреса и се доделува на влезната порта на рутер?

Која веб-страница ќе се прикаже со впишување на адресата <http://www.mioa.gov.mk/files/pdf/poimnik.pdf> во веб-пребарувач?

6. Информатика - Општо образование

Прашање

Со внесување на URL адреса во веб-пребарувач, веб-серверот добива наредба за достава и пренос на бараната страница. Кој протокол ја издава наредбата?

Кои од наведените знаци се користат за почеток и крај на програмски блок во јазикот C++?

Со која функција започнува извршувањето на програма во програмскиот јазик C++?

Какви броеви може да се дефинираат со променливата од типот int во програмскиот јазик C++ ?

За диференцирање на различни видови променливи во програмскиот јазик C++ користиме:

Која операција ќе се изврши прва во изразот $m*a*(x-y)/b$ со програмскиот јазик C++?

Со кој знак завршуваат исказите во програмскиот јазик C++?

Со употребата на знакот % во израз на програмскиот јазик C++ ќе се изврши операцијата:

6. Информатика - Општо образование

Прашање

Со кој од наведените знаци е претставен логичкиот оператор И(AND)?

Што од наведеното претставува правилно напишан исказ if?

Која вредност ќе ја добие променливата i по извршувањето на следните наредби?
`int i ;double d = 124,56 ;i = d ;`

Во програмски јазик C++ преведувачот **не** ги преведува оние линии кои започнуваат со знакот:

Определи што е точно за типовите на променливи во однос на големината.

Со каков тип променлива треба да се декларира x, ако сакаме да му доделиме вредност „2“?

Која од наведените декларации за целобројни променливи е правилно напишана?

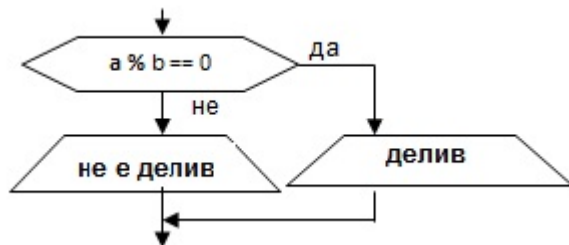
Определи која вредност ќе ја има променливата t по извршување на следниов дел од програма:
`a = 5;`
`b = -5;`
`t = (a > b) && (a == b) && (a < b);`

Како се нарекува низа од карактери која се користи за означување на променливи?

6. Информатика - Општо образование

Прашање

Врз основа на алгоритамската шема определи што од наведеното е точно.



Што ќе се прикаже по извршување на следниов програмски сегмент?

```
int p, q;
```

```
p=0; q=1;
```

```
p = p + q;
```

```
cout<<p<<" , "<<q;
```

6. Информатика - Општо образование

Прашање

Што ќе се прикаже на екранот по извршување на следниот програмски сегмент?

```
#include <iostream>
using namespace std;
int main ()
{
for (int n=10; n>0; n--)
{
cout << n << ", ";
if (n==3)
{
break;
}
} } }
```

Опреди колкава е вредноста на целобројната променлива а по извршување на следната наредба: $a = 35 / 5 \% 2 + 19 \% 5$;

Опреди која вредност ќе ја има променливата x по извршување на следниов дел од програма: $x = 30$; $y = -6$; $x = x - y$; $y = x - y$; $x = x + y$;

Одговори што ќе се прикаже со извршување на следниов дел од програмата: $x = 5$; $y = 5$; $\text{if } (x - y > 0) \text{cout} << x - y$; $\text{else cout} << x + y$;

Опреди колкава ќе биде вредноста на променливата y по извршувањето на следнава наредба: $y = 5 + 6 * 6 / 4 \% 8$;

6. Информатика - Општо образование

Прашање

Опреди колку пати ќе се изврши следниот код:
`z=3;do{z=z+1;cout<<z;}
while (z<=6);`

Одговори што ќе се прикаже со извршување на следниот код:
`int x;x=100;
while (x>=100){x=x+100;}cout<<x;`

Опреди што ќе се прикаже со извршување на следниот сегмент за $n=234$?
`m = 0; while (n!=0){m = m * 10 + n%10;n = n / 10;}cout<< m;`

Во програмата C++ декларирана е логичка променлива t , знаковна променлива r и целобројна променлива s . Која наредба е исправно зададена?

Ако променливите a , b и c имаат почетна вредност 10. Која од нив и понатаму ќе ја има истата вредност по извршување на следниот дел од програмата?
`a = a + b;
b = b + a - c;
c = c - b + a;`

Лирие сака да провери дали бројот 8 е парен број. Таа во нејзината програма ги напишала следниве наредби `x=8%2; cout<<x;`. Како Лирие треба да ја декларира променливата x ?

6. Информатика - Општо образование

Прашање

Кој е резултатот од извршување на следниот програмски сегмент?

```
#include <iostream>
using namespace std;
int main ()
{
    int n = 10;
    while (n>0)
    {
        cout << n << ", ";
        --n;
    }
}
```

Одреди што ќе се прикаже на екранот по извршување на следниот програмски код:

```
int i, zbir;
for (i = 1; i <= 10; i++)
{
    if (i % 2 == 0)
        zbir+= i;
}
}
```

Горан сака да ги отпечати сите троцифрени броеви. Тој го напишал следниот програмски сегмент:

```
x= 99; while (x>= 999) {
    cout<<x<<endl;
    x++;
}
```

Кога ја извршил програмата Горан не го добил очекуваниот резултат. Одговори што се прикажало на екранот.

6. Информатика - Општо образование

Прашање

Башким напишал програма за печатење на броевите од 10 до 1.
`#include <iostream>using namespace std;int main(){int a=1;while (a<=10){cout<<a;}return 0;}`По наредбата `cout<<a`; заборавил да ја напише наредбата `a--`; . Што ќе прикаже програмата на Башким?

Што ќе се прикаже по извршување на следниот програмски сегмент?

```
int suma=0, a, b;  
cin >>a >>b;  
if (a>b)  
for (int i=a+1; i < b; i++)  
if (i%5==0)  
suma=suma+i;  
cout << suma << endl;  
return 0;  
}
```

Опреди која вредност ќе се прикаже по извршување на следните наредби.

```
x=10; y=5; z=2*y; if (x>=z) z=z+x; else z=z+y; cout<<z;
```

Брзо и лесно уредување на текст е овозможено со примена на:

Листата на наслови на главните теми и на поттемите во текстуален документ во која се наведени броевите на страниците на кои тие се наоѓаат се нарекува:

6. Информатика - Општо образование

Прашање

За да вметнеш поле за контрола на слика, во групата Controls треба да кликнеш на иконата означена со:



На сликата е прикажана табела со:

Б		П	
Бајт.....	2	Процесор.....	3
Бит.....	2		
В		С	
Внатрешна меморија.....	4	Софтвер.....	1, 6
М		Х	
Магистрала.....	5	Хард диск.....	6
		Хардвер.....	1

Кога се заштитува документ, лозинката треба да се напише двапати. Зошто?

Учениците од I³ треба да пополнат анкета за екологија. Класниот раководител во Word/Writer направил образец (формулар) со прашања. Тој сака учениците анкетата да ја пополнат компјутерски, но така што ќе може да пишуваат само во полињата предвидени за одговор. Како треба класниот раководител да го зачува формуларот пред да го достави до учениците?

6. Информатика - Општо образование

Прашање

Од кој мемориски уред може само да се читаат податоци?

Подреди ги мемориските медиуми според големината, од најголем до најмал.

Со впишување на зборот Компјутер во внатрешната меморија на компјутерот ќе се заземе простор од:

Која операција ја изведува оперативниот систем?

Систем од повеќе датотеки се нарекува:

Што од наведеното претставува правилно запишано име на датотека?

Со употреба на копчињата прикажани на сликата во програма за обработка на текст може да креираме:



Со поставување индекс во текст се креира:

6. Информатика - Општо образование

Прашање

Која од наведените наредби означува почеток на програма во програмскиот јазик C++?

Каков вид податоци може да се дефинираат со променливата од типот char во програмскиот јазик C++?

Со употребата на операторот ++ во израз на програмскиот јазик C++ ќе се изврши операцијата:

Која операција ќе се изврши прва во изразот $k*a*(x+y)/b$ со програмскиот јазик C++?

Опреди ја која вредност ќе ја има променливата m по извршување на следниот дел од програма: $r = -5; s = 5; m = (r == s) || (r < s) \&\& (r > s);$

Ако буквата 'A' во ASCII код има реден број 65, кој реден број го има буквата 'C'?

Со каков тип променлива треба да се декларира x, ако сакаме да му доделиме вредност '3,5'?

6. Информатика - Општо образование

Прашање

Која од наведените декларации за знаковна променлива е правилно напишана?

Опреди која вредност ќе ја има променливата t по извршување на следниов дел од програма: $a = 8; b = -8; t = (a > b) \ \&\& \ (b < a);$

Која вредност ќе се прикаже по извршување на следниве наредби? $x=16; y=10; z=x-y; \text{if } (x \geq z) \ z=z+x; \text{ else } z=z+y; \text{ cout} \ll z;$

Опреди колкава е вредноста на целобројната променлива a по извршување на следнава наредба: $a = 25 / 5 \% 2 + 14 / 2;$

Одговори што ќе се прикаже со извршување на следниот дел од програмата: $x = 5; y = 5; \text{if } (x + y > 0) \ \text{cout} \ll x - y; \text{ else } \ \text{cout} \ll x + y;$

Јане напишал програма за печатење на броевите од 1 до 15: `#include <iostream>using namespace std;int main(){int a=1;while (a<=15){cout<<a;}return 0;}` Кога ја превел програмата прведувачот јавил грешка. Каде згрешил Јане?

Оливер сака да најде решение на равенка според формулата $x = \frac{4(a+b)}{5ab}$. Како Оливер треба да ја запише формулата во C++?

6. Информатика - Општо образование

Прашање

Тина напишала програма за прикажување на броевите од 2 до 8. `#include <iostream>using namespace std;int main(){int a;for (a=1; a<=8;a++){cout<<a;}` Кога ја превела програмата, преведувачот јавил грешка. Каде згрешила Тина?

Која ќелија е апсолутно адресирана во изразот `=A2*&A&3 + C2*D3`?

Во програмата за табеларни пресметувања, функцијата `SUMIF(A1:A10; A1; C1:C10)` ќе ги користи вредностите кои се наоѓаат во ќелиите:

Која вредност ќе се запише во ќелијата D3 со користење на формулата `=B$3*$C$3-$A$3`?

	A	B	C	D
1	3	2	9	
2	6	3	8	
3	2	4	7	
4	3	5	3	

6. Информатика - Општо образование

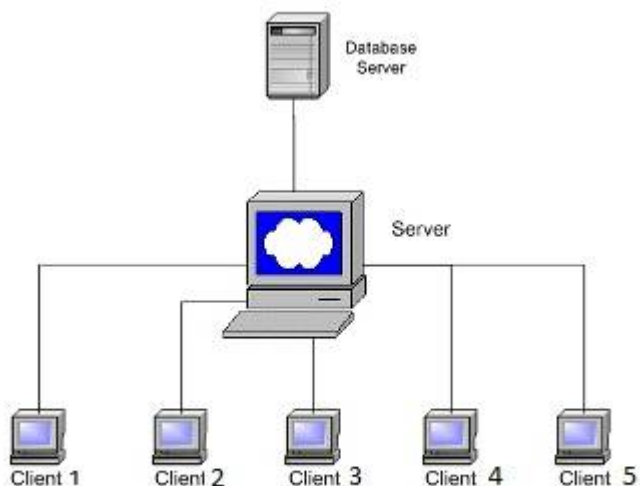
Прашање

На сликата е прикажано користење на автоматско пополнување во колоната F. Според која функција ќе се пресмета резултатот во ќелијата F4?

F2 fx =COUNTIF(B2:E5;">14")

	A	B	C	D	E	F
	Име на фирма	монитори	куќишта	тастатури	вкупно продадени	
1						
2	APPLE	14	11	15	40	7
3	DELL	15	10	12	37	
4	HP	10	14	11	35	
5	LENOVO	14	12	15	41	

Кои компјутери ќе продолжат да комуницираат меѓу себе ако серверот се исклучи од мрежата?



Што од наведеното извршуваат рутерите?

6. Информатика - Општо образование

Прашање

Што од наведеното може да претставува IP адреса:

7. Историја - Општо образование

Прашање

Како се нарекува најстариот период од развојот на човекот?

Поголемите крвно поврзани заедници на првобитните луѓе се нарекуваат:

На какви места се појавиле првите цивилизации?

Кога се појавиле најстарите цивилизации во светот?

Кои народи ја создале првата цивилизација на Месопотамија?

Кога била создадена првата обединета кинеска држава?

Врховен бог во Египет бил:

7. Историја - Општо образование

Прашање

Приближно колку години траела староегипетската држава?

Кој стоел на чело на хеленските градови држави?

Атина доживеала највисок подем за време:

Кога се водела Пелопонеската војна?

Кога било создадено кралството на Дарданците?

Кое племе било најбројно во далечното минато на Апенинскиот Полуостров?

Кога бил основан градот Рим?

7. Историја - Општо образование

Прашање

Кој бил првиот римски император?

Териториите на Илирите биле претворени во римска провинција по:

Кога започнала Големата преселба на народите?

Кнезот Клодовик кој ги обединил Франките владеел:

Во која римска провинција се населиле Франките во потрага по нова земја?

Која година во битката кај Поатје, Карло Мартел ги спречил Арабјаните да навлезат во Западна Европа:

На колку континенти се протегала Византија?

7. Историја - Општо образование

Прашање

За време на кој император Византија достигнала највисок подем?

Кој прв ги обединил Западните Словени во племенски сојуз?

Кога се случила поделба на христијанството на западна и источна црква?

Кога се појавиле хуманизмот и ренесансата?

Која година Турците-османлии го освоиле Цариград?

Во кој периодот постоело кнежевството Арберија со центар во Кроја?

Во кој век Ѓерѓ Кастриот-Скендербег го пружил најсилниот отпор против османлиската власт во албанските области?

7. Историја - Општо образование

Прашање

Кој го обиколил светот по морски пат?

Како се нарекувал владетелот кој стоел на чело на османлиската држава?

Кога започнала Француската буржоаска револуција?

Наполеон Бонапарта ја поразил руската војска во 1812 година кај:

Која година завршила Граѓанската војна во САД?

Во 1861 година била обединета Италија и била прогласена за:

Кога станале моќна економска сила САД?

Кога бил формиран царинскиот сојуз меѓу германските држави?

7. Историја - Општо образование

Прашање

X (икс)-зраците прв почнал да ги применува:

Кои земји влегле во империјалистичкиот блок наречен Троен сојуз на крајот на XIX иот век?

Призренската лига била создадена на:

Кој султан го објавил Гилханскиот хатишериф?

Кога се одржал Берлинскиот конгрес?

Кога започнала Првата балканска војна?

7. Историја - Општо образование

Прашање

Албанија како независна држава меѓународно била призната на:

Букурешкиот мировен договор по Втората балканска војна бил склучен на:

Каде се одржала мировна конференција по Првата светска војна?

Кога било формирано Кралството на Србите, Хрватите и Словенците?

Која година Албанија била прогласена за кралство на чело со Лека Зогу I?

Каде бил убиен кралот Александар I Караѓорѓевиќ во 1934 година?

Во која земја најпрво се појавува фашизмот?

7. Историја - Општо образование

Прашање

Која година започнала диктатурата на генералот Јоанис Метаксас во Грција?

На кој датум започнала Втората светска војна?

Во 1935-1936 г. фашистичка Италија извршила напад врз:

Која година италијанските фашистички сили ја нападнале Албанија?

Кои народи според Хитлер биле инфериорни и требало да бидат ликвидирани или претворени во робови?

На која конференција во февруари 1945 година големите светски сили одлучувале за новиот светски поредок?

Основачката конференција на Движењето на неврзаните земји била одржана во:

7. Историја - Општо образование

Прашање

Кому му било доверено да ја формира владата на Народна Република Албанија на 18 март 1946 година?

НАТО пактот бил формиран во:

Во која година Албанците на Косово започнале да протестираат барајќи Косово да стане република?

Зошто царот Хамураби бил значаен вавилонски владетел?

Какво било државното уредување на египетската држава?

Со кое илирско кралство античко македонскиот крал Персеј склучил сојуз против Римјаните?

Зошто пропаднала моќната египетска држава?

7. Историја - Општо образование

Прашање

Старите народи граделе иригациони системи за:

Што претставувало приоритет при воспитувањето на спартанските машки деца?

Какви реформи спровел императорот Диоклецијан за да го спаси римското царство?

Кога и каде Ѓерѓ Кастриот-Скендербег прогласил обновување на албанското кнежевство?

Што било изработено во времето на царот Јустинијан во Византија?

По кој настан Карло Топија и други албански благородници формирале независни кнежевства во XIV век?

7. Историја - Општо образование

Прашање

На кој начин владеел византискиот император?

Што го забрзало барањето на поморскиот пат за Индија?

Со кој настан е поврзана годината наречена хиџра, кога муслиманите почнале да ги бројат годините?

Со кои науки се занимавал арапскиот научник Авицена?

Хуманизмот и ренесансата се правци во културата чие појавување било под:

Какво е историското значење на Француската буржоаска револуција?

7. Историја - Општо образование

Прашање

Што ја поттикнало Втората индустриска револуција?

Што се случило по Мировниот конгрес во Виена одржан во 1815 година?

Што било пропишано со Гилханскиот хатишериф од 1839 година?

На каков начин османлиските султани се обидувале да ја спасат државата од понатамошно слабеење?

Развојот на науката и техниката на почетокот на XX -иот век предизвикале:

Најпознатото албанско востание кое избувнало во Полог против воведување на танзиматските реформи било:

Која била најважната последица по завршувањето на Првата светска војна?

7. Историја - Општо образование

Прашање

Зошто било формирано Друштвото на народите по Првата светска војна?

Каде Сталин ги испраќал своите политички противници?

Кој ја забрзал капитулацијата на Норвешка во Втората светска војна?

Какви биле односите помеѓу големите сили по Втората светска војна?

Европската економска заедница е сојуз на држави формиран за:

7. Историја - Општо образование

Прашање

По Втората светска војна, Албанија во одреден период била членка на:

Кои земји по Втората светска војна доживеале највисок економски развој?

Што претставувала митската кула во Вавилон?

Зошто старите Египќани ги балсамирале телата на умрените фараони?

На кој начин Византиската држава го достигнала својот најголем подем во времето на царот Јустинијан I?

7. Историја - Општо образование

Прашање

Кое е најголемото достигнување од Лешанскиот собир во 1444 година?

Која била главната причина за енормното проширување на османлиската држава?

Зошто дошло до создавање на империјалистички блокови?

Што предизвикал развојот на науката и техниката на почетокот на XX –иот век?

Кои биле причините за Втората светска војна?

7. Историја - Општо образование

Прашање

Зошто нацизмот имал многу силно влијание во Германија?

Кои биле причините кои довеле до криза и до распад на социјалистичкиот систем во Европа, Русија и на Балканот?

Колку трае еден милениум?

Кралот Саргон бил владетел на:

Во староегипетската држава владееле:

Јонците, Дорците и Еолците се населиле во Хелада околу:

Атила бил племенски водач на:

Светата книга на муслиманите се вика:

7. Историја - Општо образование

Прашање

Првата крстоносна војна траела од:

Роберт Фултон го конструирал:

Јакобинската диктатура била укината во:

Обединувањето на Италија и прогласување на Италијанско кралство се случило во:

Англија ја признала независноста на САД во:

Судирот на интереси меѓу Германија и Франција предизвикал:

За развојот на хемијата особени заслуги имал:

Антиосманлиското востание во Босна и Херцеговина се случило во:

Втората балканска војна започнала на:

7. Историја - Општо образование

Прашање

Франц Фердинанд бил престолонаследник на:

САД во Првата светска војна влегле во:

Хитлер се прогласил за фирер на Германија во :

Првиот законик во светски рамки е познат како:

Турците-османлии потекнуваат од:

Каков документ бил изработен под раководство на киевскиот кнез Јарослав Мудриот?

Градовите во светот се развиле под влијание на:

Ропството во САД било укинато по:

Чарлс Дарвин ја развил:

7. Историја - Општо образование

Прашање

Договорот на Јалта предвидувал:

Со Трумановата доктрина била предвидена помош:

Во какви услови се појавило христијанството?

Кога Албанија била призната за независна држава?

Организацијата на обединетите нации била формирана на конференцијата одржана пролетта 1945 год. во:

Призренската лига која била создадена на 10 јуни 1878 година била:

По првите парламентарни избори во 1992 година, за претседател на Албанија е избран:

7. Историја - Општо образование

Прашање

Основните барања на демонстрантите на Косово во 1981 год. биле изразени со паролата:

Во САД бил изработен т.н. Маршалов план кој предвидувал економска помош за земјите од Европа кои:

Првата средба на лидерите на антихитлеровската коалиција била одржана во:

Иницијатор за создавање на Друштвото на народите бил американскиот претседател :

Барајќи го патот за Индија, Христофор Колумбо пловел:

7. Историја - Општо образование

Прашање

Големата преселба на народите најмногу раздвижувања предизвикала кај:

Следбениците на Мартин Лутер се познати како:

Хуманизмот и ренесансата се појавиле во:

Во 800 година за цар на Франките бил прогласен:

Големата преселба на народите била предизвикана од:

7. Историја - Општо образование

Прашање

Најзначајна последица од Големата преселба на народите била:

Пелопонескиот сојуз бил предводен од:

Микенската култура била создадена од:

Првите луѓе на Земјата се појавиле во:

Најсилниот отпор против османлиската власт во албанските области во текот на XV век го водел :

7. Историја - Општо образование

Прашање

Процесот на создавање на првите држави бил поврзан со:

Во периодот од XI до XIII век албанските благородници успеале да создадат свои:

Римскиот филозоф Сенека изреката „Царот се сокрил под наметката на Републиката“ ја употребил за да го опише државното уредување познато како:

Со која од следните мерки Перикле ја унапредил демократијата?

По победата во Пунските војни Римската држава го проширила своето влијание на:

7. Историја - Општо образование

Прашање

Востанието Ника во Византија избувнуло во времето на владеењето на императорот:

Илирското кралство кое се простираше на територијата на денешно Косово го создале :

Демократското уредување во Атина било воспоставено со реформите на архонтот:

Првото писмо кај народите од стариот Исток е познато како:

Кој народ ја создал првата централизирана и пространа држава на тлото на Месопотамија?

7. Историја - Општо образование

Прашање

Американската војска во војната за независност била предводена од:

Тројниот сојуз (Централни сили) бил создаден на иницијатива на :

Во 1928 год. Албанија била прогласена за кралство на чело со :

Во која од наведените држави населението имало политички права?

Изреката "Пирова победа" значи:

7. Историја - Општо образование

Прашање

Фашизмот како политички систем најпрво се зацврстил во :

Првата светска војна започнала на 28 јули 1914 год. откако на Србија војна и објавила :

По поразот кај Ватерло 1815 год. Наполеон Бонапарта бил испратен во заточеништво на островот:

Независноста на албанската држава била прогласена во:

7. Историја - Општо образование

Прашање

За да ја извлече Германија од економската криза Хитлер :

Во Првата светска војна, Источниот фронт престанал да постои по потпишувањето на мирот во Брест Литовск 1918 год. помеѓу Германија и :

Велика Британија, Русија и Франција ја создале Антантата со цел:

Западниот фронт бил отворен во јуни 1944 год. кога сојузничките војски извршиле инвазија во :

7. Историја - Општо образование

Прашање

Првата индустриска револуција започнала во:

Војната за независност на Американците била потпомогната од Шпанија, Холандија и Франција затоа што сакале:

Најзначајна битка и пресвртница во борбите на Источниот фронт во Втората светска војна била битката кај :

Откритието дека бактериите ги предизвикуваат заразните болести се должи на научникот:

7. Историја - Општо образование

Прашање

За време на Првата светска војна, Албанија била :

Ропството во Америка било укинато од претседателот:

Француската буржоаска револуција започнала со нападот на затворот Бастилја по што:

Повод за почеток на Втората светска војна представува германскиот напад на :

7. Историја - Општо образование

Прашање

Во обединувањето на германските земји најголема улога имал канцеларот на Прусија:

Претставниците на Русија НЕ биле поканети на Париската мировна конференција затоа што :

Лидерите на антихитлеровската коалиција на Техеранската конференција се договориле :

Со одредбите на Лондонскиот договор од 1913 год. за независна држава била признаена :

7. Историја - Општо образование

Прашање

Советот на Европа формиран во 1949 год. има постојано седиште во:

Првата Конференција за европска безбедност и соработка била одржана во:

Најстарата заедница на човекот е позната под името:

Верувањето на луѓето дека водат потекло од некое животно е познато како:

На кој начин владееле владетелите во државите на стариот Исток?

Римската империја во 395 година ја поделил императорот:

Што користеле жителите на Месопотамија како материјал за пишување?

7. Историја - Општо образование

Прашање

Кој владетел во 3200 година пр. н. е. ги обединил Горен и Долен Египет?

Државата на Франките била основана од:

Една од главните причини за распаѓањето на државата на Франките била:

Верденскиот договор со кој државата на Франките се распаднала, бил потпишан поради:

Италија во Првата светска војна влегува на страната на Антантата затоа што :

7. Историја - Општо образование

Прашање

Втората индустриска револуција започнала со:

Првиот човек испратен во вселената бил:

Најзначаен орган на Организацијата на обединетите нации е:

На каков начин живееле првобитните орди?

Кога била создадена Папската држава?

Употребата на металите предизвикала бројни промени во животот на луѓето од кои најзначајна е:

Што се случило со Средното египетско царство па тоа престанало да постои?

Турција во времето на Мустафа Кемал Ататурк станала:

8. Ликовна уметност - Општо образование

Прашање

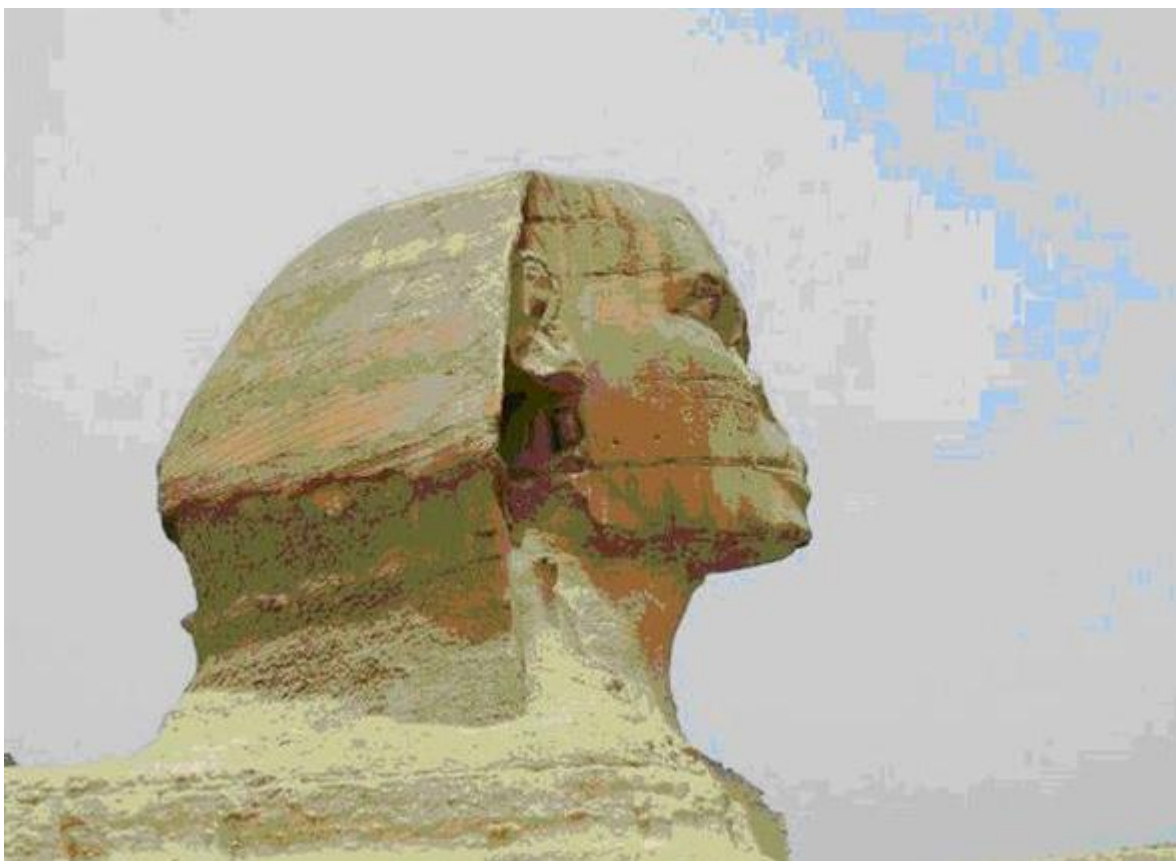
Кога за прв пат се појавува ликовната уметност?

Кој ликовен правец се појавил во Италија?

8. Ликовна уметност - Општо образование

Прашање

Сфингата на дадената фотографија се наоѓа во:



За какво писмо се смета хиероглифското?

8. Ликовна уметност - Општо образование

Прашање

Автор на ремек-делото „Мона Лиза“ е:

Пабло Пикасо е претставник на ликовниот правец:

Јагленот се употребува во ликовната техника:

Наједноставен ликовен елемент е:

Хармоничните линии меѓу себе се:

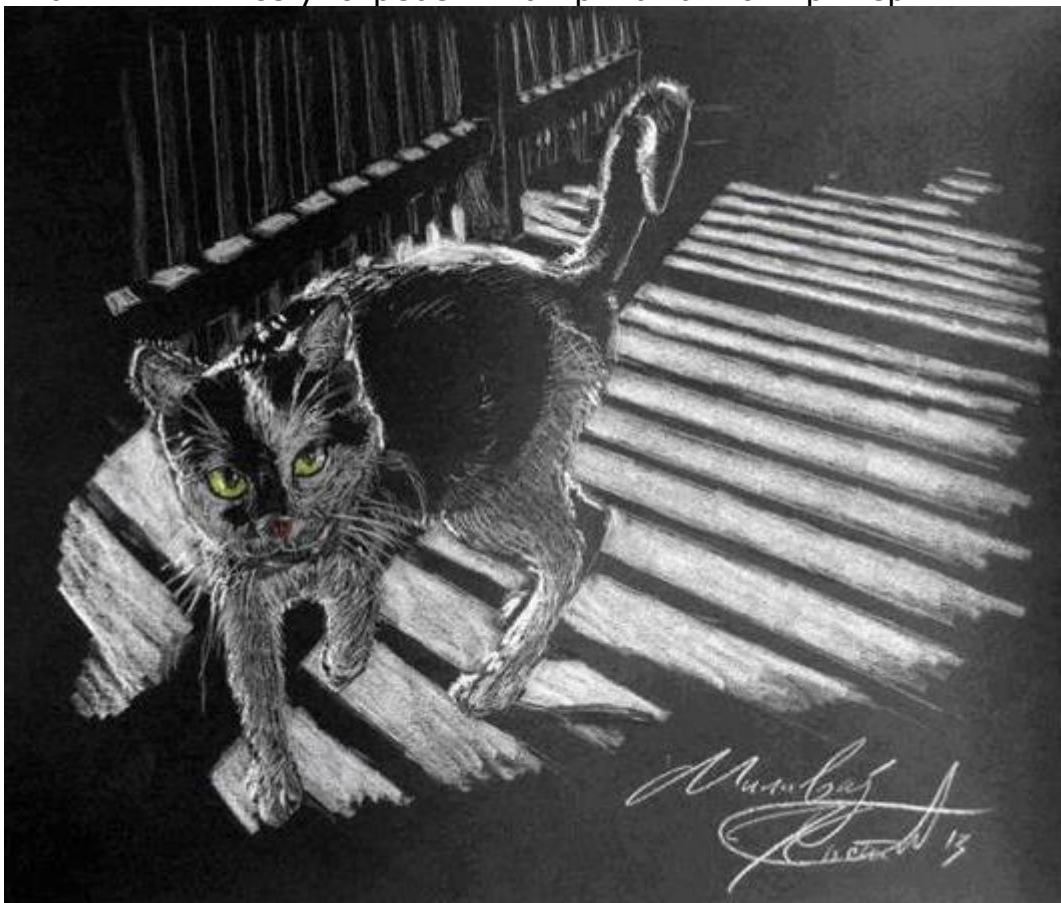
Какви видови линии разликуваме во ликовната уметност?

Какви линии се цртаат со цртачката техника туш?

8. Ликовна уметност - Општо образование

Прашање

Какви линии се употребени на прикажаниот пример?



Доколку предметите ги цртаме со црно и бело, тие се:

Каква е текстурата на растенијата?

Какви линии разликуваме според правецот?

8. Ликовна уметност - Општо образование

Прашање

Со каква насока е линијата кога цртаме круг?

8. Ликовна уметност - Општо образование

Прашање

Делото, на фотографијата, е изработено во сликарската техника:



8. Ликовна уметност - Општо образование

Прашање

Кои бои се прикажани на примерот?



Кои бои се добиваат од основните бои?

На каква подлога се слика сликарската техника фреска?

Каква техника е колаж?

8. Ликовна уметност - Општо образование

Прашање

Кои се топли бои?

Од комбинација на водени бои и бела темперна боја се изработува сликарската техника:

Кои се ахроматски бои?

8. Ликовна уметност - Општо образование

Прашање

На која сликарската техника и припаѓа делото претставено на фотографијата?



8. Ликовна уметност - Општо образование

Прашање

Кај сликарството, просторот може да се претстави како:

Ликовното дело графика се добива по пат на:

Кој материјал се користи како матрица во графичката техника литографија?

Каква ликовна техника е линорезот?

Делото, на дадената фотографија, припаѓа на графичката техника:



За да отпечатиме графика од висок или длабок печат потребна ни е графичката машина:

Со која графичка техника се добива само еден графички отпечаток?

8. Ликовна уметност - Општо образование

Прашање

Скулпторот ја употребува глината за:

Со која постапка се обработува скулпторскиот материјал глина?

Што е асамблаж во скулптурата?

Во која скулпторска техника е изработено делото што е прикажано на сликата?



8. Ликовна уметност - Општо образование

Прашање

Каква форма има скулптурата на Хенри Мур на сликата?



Во скулптурата, релјефот може да биде:

Скулпторот кога реализира ликовно дело во камен тој го обработува со:

Како се вика објектот во кој јавно се изложуваат ликовните дела?

8. Ликовна уметност - Општо образование

Прашање

Каков материјал е стаклото?

Што претставува објектот на илустрацијата?



Што изработува Костимографот?

Што е ритам во дизајнерското ликовно творештво?

8. Ликовна уметност - Општо образование

Прашање

Како се нарекува ликовен уметник кој изработува лого?

На примерот е прикажано дизајнерско дело кое се нарекува:



Со графички дизајн се изработува:

Кога текст се изработува со украсни букви тоа се нарекува:

8. Ликовна уметност - Општо образование

Прашање

Каков дизајн е претставен на фотографијата?



Сценографијата како ликовно подрачје се применува во:

8. Ликовна уметност - Општо образование

Прашање

Како се вика дизајнерскиот текст што е прикажан на примерот?



Како се нарекува професијата на лицето кое го дизајнирало примерот на илустрацијата:



8. Ликовна уметност - Општо образование

Прашање

На примерот е прикажано дело од палеолитот. На која уметност припаѓа делото?



8. Ликовна уметност - Општо образование

Прашање

Како се вика примерот од неолитскиот период посветен на Земјата?

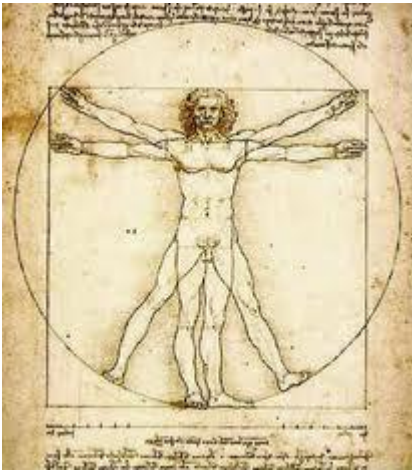


8. Ликовна уметност - Општо образование

Прашање

Вилендорфска Венера претставува симбол на:

На фотографијата Леонардо да Винчи претставил:



На која ликовна техника припаѓа лавираниот туш?

Кога едно ликовно дело (цртеж) е изработено од туш и вода тоа е:

8. Ликовна уметност - Општо образование

Прашање

Какви линии користел Винсент ван Гог во прикажаниот цртеж?



Линијата што ја претставува површината при цртањето се нарекува:

Што се доловува со перспектива во цртежот:

8. Ликовна уметност - Општо образование

Прашање

Што нацртал Леонардо да Винчи на дадениот пример:



8. Ликовна уметност - Општо образование

Прашање

Што е претставено на дадениот цртеж?



8. Ликовна уметност - Општо образование

Прашање

Делото на фотографијата е цртано со брзи потези. Како ја нарекуваме таа постапка?



8. Ликовна уметност - Општо образование

Прашање

Каков мотив е одбран за сликата на дадениот пример:



8. Ликовна уметност - Општо образование

Прашање

Која сликарска техника е применета во дадениот пример?



Привиден простор може да се создаде со ликовната техника:

8. Ликовна уметност - Општо образование

Прашање

Како мотив обработува Пол Сезан на дадената слика?



8. Ликовна уметност - Општо образование

Прашање

Како мотив обработува Винсент ван Гог на прикажаната слика?



Кои материјали се употребуваат за изработка на витраж?

Во ликовната теорија, бојата е:

Каква техника е фреската?

8. Ликовна уметност - Општо образование

Прашање

Која графичка техника е прикажана на илустрацијата?



Каков печат е литографијата според печатењето?

Каква машина е прикажана на фотографијата?



Со кои постапки се обработува матрица за графика?

Каква техника е асамблаж?

8. Ликовна уметност - Општо образование

Прашање

Која постапка се применува кога се изработува скулптура од дрво?

Со колку димензии е определен реалниот простор?

На кој вид скулптури припаѓа скулптурата на примерот од Микелаџело Буонароти?



8. Ликовна уметност - Општо образование

Прашање

Скулптурата на Мечкин Камен во Крушево е дело на скулпторот:



8. Ликовна уметност - Општо образование

Прашање

На која уметност припаѓа Колосеумот на прикажаната илустрација?



8. Ликовна уметност - Општо образование

Прашање

На која уметност припаѓаат пирамидите на прикажаната илустрација?



Индустриски дизајн се изработува со помош на:

8. Ликовна уметност - Општо образование

Прашање

Од каков дизајнер е изработен предметот на илустрацијата?

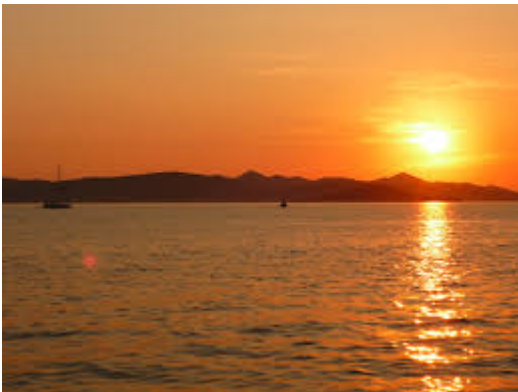


Кој дизајнер дизајнира плакати?

8. Ликовна уметност - Општо образование

Прашање

Какво уметничко дело можеме да препознаеме на прикажаната илустрација?



Што можеме да забележиме од визуелната комуникација на дадениот пример?



Во кои бои може да биде Фотографијата?

8. Ликовна уметност - Општо образование

Прашање

Каков дизајнер го изработува дизајнот на прикажаната амбалажа?



На каква подлога се изработува иконата во средновековната уметност?

Што употребил авторот на прикажаниот цртеж за да се долови просторот?



8. Ликовна уметност - Општо образование

Прашање

Со која постапка уметникот ги постигнал сенките на прикажаниот цртеж?



Со кој контраст на бои е изработена сликата од примерот?



8. Ликовна уметност - Општо образование

Прашање

На дадениот пример, сликата е насликана со тонска скала од колку тонови?

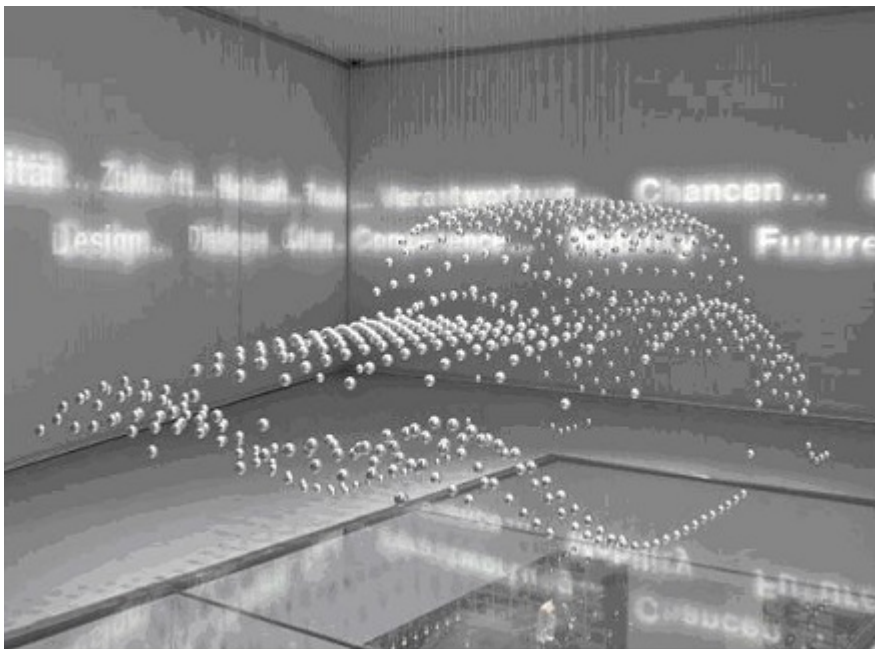


Шрафурата во графиката се користи за добивање на:

8. Ликовна уметност - Општо образование

Прашање

Од какви форми е изработено делото прикажано на примерот:



8. Ликовна уметност - Општо образование

Прашање

На илустрацијата е прикажана изработка на:



Каква рамнотежа има дизајнот на илустрацијата:



8. Ликовна уметност - Општо образование

Прашање

Кој спој е присутен во прикажаниот дизајн?



9. Македонски јазик и литература - Општо образование

Прашање

Јазикот кој го говорат сите припадници на еден народ се нарекува:

Визуелното претставување на говорот се нарекува:

Какви видови комуникација постојат во зависност од тоа дали се употребува говорот при општењето?

Во која група словенски јазици спаѓа македонскиот јазик?

Како се вика првата словенска азбука?

9. Македонски јазик и литература - Општо образование

Прашање

На која книжевна школа е основоположник св.Климент Охридски?

Колку периоди опфаќа словенската писменост во поглед на писмената активност?

Која година е создадена глаголицата?

Како се викал јазикот на словенската писменост?

Каква лексика навлегла во дамаскините како текстови со црковни проповеди, легенди, приказни за настани и личности од христијанството по нивното преведување од грчки на црковнословенски јазик ?

Како се вика научната дисциплина која ги проучува гласовите како јазични единици?

Врз основа на присуство или отсуство на пречка при движењето на воздушната струја, гласовите во македонскиот литературен јазик се делат на:

Гласовите што внесуваат разлики во значењето на зборовите се наречени:

Кој сонант се јавува како слоготворен во македонскиот јазик?

9. Македонски јазик и литература - Општо образование

Прашање

На кој слог е фиксиран акцентот во македонскиот јазик кај повеќесложните зборови?

Општоприфатениот и единствен систем од правила за пишување во еден јазик се нарекува:

Што се подразбира под транскрипција?

Првиот македонски правопис е излезен од печат на:

Правописот на македонскиот литературен јазик е поставен врз:

Како се вика формата на непосредно комуницирање со која треба да се постигне извесен договор од областа на општествениот живот?

Писмен состав на комуницирање со кој подносителот бара да му се оствари некоја потреба се вика:

Писмен документ со кој се изразува некое незадоволство на претходно донесено решение се именува како:

Информирањето на јавноста за некоја одредена активност се нарекува:

9. Македонски јазик и литература - Општо образование

Прашање

Како се вика науката која го проучува уметничкото во уметноста на зборот, нејзините начела, класификацијата на облиците и постапките на литературното творештво?

Фантастичната света приказна која го објаснува создавањето на светот, неговото уништување и разните појави во природата се нарекува:

Кои се основните епски видови?

Што е расказ?

Кој литературен вид не припаѓа во групата лирски дела?

9. Македонски јазик и литература - Општо образование

Прашање

Литературните дела поема, балада и романа спаѓаат во:

Основни дисциплини на литературната наука се:

Која од наведените стилски фигури е доминантна во македонската народна поезија?

Што подразбираме под поимот драма?

Кои се основни драмски видови создавани во античка Грција?

Кој е автор на епопејата „Илијада“?

9. Македонски јазик и литература - Општо образование

Прашање

Кој е авторот на „Панонските легенди“?

Во која книжевна школа доследно се употребувала глаголицата?

Збирката религиозни текстови составена од два дела, Стар завет и Нов завет се вика:

На која литература, од гледна точка на историјата на цивилизацијата, припаѓа епот „Гилгамеш“?

Кое дело не припаѓа на литературниот вид роман?

Почетокот на словенската писменост е поврзан со дејноста на:

Кои се најистакнати ученици на св. Кирил и Методиј?

Колкав е бројот на ученици што поминале низ Охридската книжевна школа?

9. Македонски јазик и литература - Општо образование

Прашање

Основата на средновековниот роман „Романот за Александар Македонски“ е содржана во:

Која мисија на браќата Кирил и Методиј е најважна за Словените?

Евангелието според Јован е составен дел од:

Трактатот „О писменех“ („За буквите“) е напишан за одбрана на:

Вербалната комуникација се реализира преку:

Природниот јазик се одликува со:

Во која сфера доминира поетската функција на јазикот?

Што е јазикот?

9. Македонски јазик и литература - Општо образование

Прашање

Фатичката функција на јазикот се однесува на:

Пред крајот на својот живот Методиј за свој заменик го назначил својот ученик:

Во источнојужнословенската група јазици спаѓаат:

Основачи на Кратовската книжевна школа се:

Една од специфичностите на македонскиот јазик која ја нема во другите словенски јазици е:

Црковнословенскиот јазик е заснован врз :

Преминот од црковнословенски во македонски народен јазик се обележува преку:

Во источнословенската група јазици спаѓаат:

Сонантот р е слоготворен кога се наоѓа:

9. Македонски јазик и литература - Општо образование

Прашање

Гласовите: ј, л, љ, м, н, њ, р претставуваат:

Кои од наведените согласки се звучни:

Едначење на согласките по звучност се случува кога:

Акцентските целости составени од два полнозначни збора имаат акцент на:

Фонологијата е научна дисциплина што се занимава со проучување на:

Обезвучувањето е гласовна промена во која:

Кој знак не е интерпункциски?

Кој збор не е правилно напишан?

Што означува скратеницата ООН?

Во кој од наведените примери не се пишува и не се изговара согласката ј?

Во која реченица е правилно употребен интерпункцискиот знак две точки?

9. Македонски јазик и литература - Општо образование

Прашање

Кои се основните карактеристики на акцентот во македонскиот литературен јазик?

Писмената форма на официјална комуникација се нарекува:

Понудата како деловен документ не треба да содржи:

Што е специфично за извештајот како писмен состав на комуницирање?

Од која страна на записникот стојат потписите на записничарот и на претседавачот?

Кои елементи треба да ги содржи молбата како форма со практична намена?

Називот на органот до кој се упатува молбата треба да стои:

Записникот има функција за:

Кои литературни видови не спаѓаат во лириката?

Што е специфично за поемата како лирско-епски вид во стихови?

Кои се одликите на народната литература?

Најпознати епски јунаци во македонските јуначки песни се:

9. Македонски јазик и литература - Општо образование

Прашање

Драмата создадена со примена на традиционалниот пристап на градење на драмското дејство ги содржи следниве етапи:

Определи кои се најзначајните карактеристики на лириката..

Како се вика интонациската пауза во средината на стихот?

Лирската песна во функција на надгробен натпис во која се изнесуваат податоци за покојниот се вика:

Кој литературен род/вид ги има прологот и епилогот како составен дел на композициските елементи?

Кои се главните стилски особености на народната литература?

9. Македонски јазик и литература - Општо образование

Прашање

Есхил, Софокле и Еврипид се великаните на грчката трагедија поради тоа што:

За „Илијада“ се вели дека е типично јуначка епопеја во која главна тема се:

Најзначајна придобивка на Моравската мисија е:

Од што се состоела книжевната дејност на св. Климент Охридски?

Во кои мисии учествувал Методиј?

Особините кои го прават Хектор (од „Илијада“) најблагороден јунак меѓу Тројанците се:

Трагичниот јунак Едип е обвинет дека е:

Која е темата во делото „О писменех“?

За што се раскажува во четирите евангелија на „Новиот завет“?

9. Македонски јазик и литература - Општо образование

Прашање

Како е опишан Ахил во „Илијада“ од Хомер?

Која е несовладливата пречка во подвизите на Гилгамеш и Енкиду?

Со чиј подвиг е поврзан митот за златното јаболко?

Кои од следниве средновековни литературни дела се одликуваат со едноставен стил и јазик?

9. Македонски јазик и литература - Општо образование

Прашање

Внимателно прочитај го извадокот од „Кназот што се научил да плете кошници“ и одговори на прашањето.

„Еден млад кназ сторил ниет да се жени, арно ама од кајгоде неќел да земе девојче, ами сакал од некој цар или крал. До неговата земја имало еден цар имал една убава ќерка. Без да се срами младио кназ, пратил стројници кај царо да му ја сака ќерка му.“

За каков јазик станува збор?

Прочитај го внимателно текстот и одговори на поставеното прашање.
„Стихијата ме повлече. Животниот виор ме заврте и ме понесе низ сувиот град. Ме фрлаше по туѓите градини со есенски плодови, ме враќаше на широчинката и ме тркалаше насекаде со полудивите беспризорни...
Неочекувано брзо се спријателував со овие деца без детство - мали луѓе со сива неизвесна судбина.“

Која форма на јазикот е употребена во текстот?

Кој од наведените примери образува акцентска целост со енклитика?

Која варијанта на црковнословенскиот јазик ја одразуваат: „Добромировото евангелие“, „Охридскиот апостол“, „Болонскиот псалтир“ и „Лесновскиот паренезис“?

9. Македонски јазик и литература - Општо образование

Прашање

Во кој збор гласот р има функција на самогласка?

Кој од наведените примери образува акцентска целост со проклитика?

Во народната поговорка: Крушата под круша паѓа, треба да се изговори:

До гуша му дојде, треба да се изговори како:

Во кои од наведените зборови од туѓо потекло акцентот паѓа на третиот слог од крајот на зборот?

Во кој од дадените зборови гласот р има слоготворен карактер?

Кој збор е правилно напишан?

Определи во кој збор е одбележано едначењето на согласките по звучност?

9. Македонски јазик и литература - Општо образование

Прашање

Во кој збор е правилно извршено обезвучување на звучната согласка на крајот на зборот?

Во именката Ратка е извршена гласовната промена:

Кој географски назив е правилно напишан?

Во кој пример е правилно употребен апострофот како правописен знак?

Опреди кој збор како скратеница е напишан правилно.

Голема буква не се употребува при пишување на:

9. Македонски јазик и литература - Општо образование

Прашање

Во реченицата: Во прилепскиот ресторан најмногу се служеше Мариовско сирење, не е правилно напишан зборот:

Скратеницата за сложениот назив „ Скопски меѓународен саем“ гласи:

Во која реченица правописниот знак цртичка е правилно употребен?

Кој назив на установа е правилно напишан?

Во која од наведените реченици сите зборови се напишани правилно?

Во кој од наведените примери запирката е правилно употребена?

Во кој од наведените примери сите зборови се правилно напишани според правилата за слеано и разделено пишување?

9. Македонски јазик и литература - Општо образование

Прашање

Во кој од наведените примери зборот кралство е правилно пренесен од еден во друг ред?

Во кој пример зборот македонска е напишан според правилата на правописот?

Во кој од наведените примери резултатот од спортскиот натпревар е правилно напишан?

Која акцентска целост не е правилно акцентирана?

9. Македонски јазик и литература - Општо образование

Прашање

Внимателно прочитај ја содржината на дадениот текст и одговори на поставеното барање.

„На ден 25.12.2008 година, во големата сала ќе се одржи свечена седница по повод освојената победа на ученикот од нашето училиште, на натпреварот по математика. На ученикот како награда ќе му се додели стипендија за студии на ПМФ во Скопје.“

Определи за каков вид текст станува збор.

9. Македонски јазик и литература - Општо образование

Прашање

Внимателно прочитај го извадокот и одговори на поставеното прашање.

...„Сметам дека сум оштетен во врска со Вашата одлука со која не ми доделивте стипендија. Стипендија им доделивте на ученици со послаб успех и со лични примања на родителите кои се повисоки од примањата на моите родители. Затоа барам мојата молба за доделување стипендија уште еднаш да биде разгледана.“

Скопје, 10 октомври 2012г.

Со почит,

Јован

Јовановски

За каков документ станува збор?

Определи која стилска фигура е употребена во стиховите.

„Кога ја љубев Дениција
Како да учествував во создавањето
На првата македонска држава.“

9. Македонски јазик и литература - Општо образование

Прашање

Внимателно прочитај го извадокот од „Митот за Едип“.

„Во мугрите оди на четири нозе, напладне на две, а предвечер на три. Од сите суштества единствено тоа го менува бројот на нозете, а кога ги има најмногу најмала е силата и брзината на неговите екстремитети.“

Определи за каков вид текст станува збор.

Определи која стилска фигура е употребена во извадокот од народната песна:

„Бисеро, моме Бисеро!
Даљ си у бахчи родена?
Даљ си од Бога дадена?
Не сум у бахчи родена,
Ни сум од Бога дадена,
Тук сум од мајка растена.“

Внимателно прочитај ги стиховите и одговори на прашањето.

„Коледица, Варварица
и по неа Василица,
еднаш ми е во година,
како цвеќе во градина.
Коледе, бабо, Коледе...“

Во кој вид народни песни спаѓа песната?

9. Македонски јазик и литература - Општо образование

Прашање

Прочитај ги внимателно стиховите и одреди на кој лирски вид му припаѓа песната.

„Денес над Македонија се раѓа
ново сонце на слободата.
Македонците се борат
за своите правдини.“

Според мотивот кој преовладува во извадокот, определи на кој вид лирика припаѓа песната.

„Роди се човек – роб биди
Роди се човек – скот умри,
скотски цел живот работи
за други, туѓи имоти.“

Причината заради која Ахил (од „Илијада“) влегува во борбата против Тројанците е неговото чувство на:

9. Македонски јазик и литература - Општо образование

Прашање

Внимателно прочитај го извадокот од „Митот за златното јаболко“ и откриј ја симболиката на ликот на чуварот Ладон.

„Кога еден ден Хера открила дека ќерките на Атлант, Хесперидите, на кои таа им доверила да го чуваат дрвото, поткраднуваат јаболка, го постави секогаш будниот Ладон, кој се обвитка околу дрвото... Ладон имал стотина глави и зборувал на различни јазици.“

Определи која карактерна особина на Хектор се открива во извадокот.

„Зевсе и богови други,
позволете син ми да стане
сосема достоин еднаш кај Тројците, ист како мене,
вака со снагата јак и да владее добро во Илиј.
Некој да рече од татко си тој е поарен многу.
..., а мајка му расте од радост.“

Внимателно прочитај го извадокот од „Панонски легенди“ и одговори на прашањето.

„Филозофот им одговори : - Не врне ли дожд од бога еднакво за сите? А сонцето не грее ли исто така за сите? Зарем не дишеме воздух сите еднакво? Па тогаш, како не се срамите да признаете само три јазика, и зар сите други народи сакате да бидат слепи и глуви...“Според извадокот, со кого полемизирал Кирил?

9. Македонски јазик и литература - Општо образование

Прашање

Внимателно прочитај го извадокот од „Поука за Велигден“ од св.Климент Охридски. Елементите од извадокот, според содржината, потекнуваат од:

„И не можејќи да го истрпи тоа Господ наш Исус Христос, го наведе небото и слезе кај нас и се облече во нашето тело, сакајќи да го исцели од гниење, она што го прими нашиот прв прадедо Адам, престапувајќи ја заповедта божја во рајот со змиската измама и оттогаш во нашето тело влезе смртта и му бевме потчинети на гревот“.

Прочитај го внимателно извадокот од „Пофалното слово за Кирил Филозоф“ напишано од св. Климент Охридски и одговори на поставеното прашање.

„Затоа, да биде блажена твојата уста, блажени оче Кириле, од неа на мојата уста се источи духовна сладост. Блажени да се твоите свотлозрачни очи.... Блажени да се твоите ангеловидни зеници озарени од божествена слава, тие ми го разгонија слепилото на срцето и го просветија со боговдахновени зборови. Блажени да се твоите пречесни раце... Блажена да е твојата златозрачна утроба од која му истече на мојот народ богоразумен облак...“

Кое стилско изразно средство е употребено при опишувањето на Константин Филозоф?

9. Македонски јазик и литература - Општо образование

Прашање

Прочитај го внимателно понудениот извадок од „Илијада“ и одговори на прашањето.

„Брзиот Ахил гонејќи го Хектор напаѓал везден.
Како што пес кога вие во гората еленче младо
штом ќе го истера надвор од мекото негово легло.“

Која стилска фигура ја употребува авторот при сликањето на ликот на Ахил?

Внимателно прочитај го извадокот од „Гилгамеш“ и одговори на прашањето.

„Каде иташ Гилгамеше?
Животот што го бараш, не ќе го најдеш.
Кога боговите луѓето ги создадоа, за нив смртта ја одредија,
а животот за себе го задржаа.“
Што е тоа што го прави Гилгамеш смртен?“

Внимателно прочитај го текстот и одговори на кој дел од Библијата му припаѓа.

„Да зборувам на сите човечки јазици, па дури и на ангелски, штом љубов немам, ќе бидам бакар што звони или кимвал што свечи. Да имам пророчки дар и да ги знам сите тајни, да ги имам сите знаења, за сите работи, а и така силна вера што и планини да поместувам, ако љубов немам, ништо не сум.“

9. Македонски јазик и литература - Општо образование

Прашање

Прочитај го извадокот и одговори кои стилски фигури ги употребил св.Климент за да ја истакне важноста на св. Кирил.

„...сепак надмина сè, како Деница, која иако огрева најпосле, со својата светлина ги облева сите ѕвезди кои имаат сончева светлина... се покажа како Серафим којшто го прославува Бога.“

Внимателно прочитај го извадокот.„Дневен ред:

1. Разгледување на успехот;
2. Разгледување на поведението.“

елемент на:

Извадокот е составен

9. Македонски јазик и литература - Општо образование

Прашање

Внимателно прочитај го извадокот и одговори на поставеното прашање.
...„ Поради влошување на мојата здравствена состојба имам потреба од лекување во Германија. Ве молам да ми одобрите неплатено отсуство од работа во траење од два до три месеци за да можам да го реализирам лекувањето. Во прилог Ви го доставувам извештајот на Комисијата за процена на мојата здравствена состојба. Секое одложување на лекувањето го доведува во опасност мојот живот. Се надевам дека ќе наидам на разбирање и без проблеми ќе го одобрите моето отсуство.“
Кичево, 10 мај 2013год.

Со

Софија

Малеска

Определи за каков текст станува збор.

Какви видови комуникација постојат во зависност од тоа дали се употребува техничко средство при општењето?

Какви видови комуникација постојат во зависност од тоа дали може примачот на информацијата да реагира или да одговори?

Какви видови комуникација постојат во зависност од тоа дали при општењето се користат сигнали или симболи?

Кој е најпознат дамаскин од Македонија?

9. Македонски јазик и литература - Општо образование

Прашање

Историјата на македонскиот јазик го (ја) проучува:

Во која група словенски јазици спаѓаат српскиот, хрватскиот и словенечкиот јазик?

Во западнословенската група јазици спаѓаат:

Колку букви имала глаголицата?

Колку букви имала старата кирилица?

Која азбука се употребувала во Кратовската книжевна школа?

Како се викаат најмалите елементи што можеме да ги изделиме во еден изговорен збор?

Писмен знак за гласот е:

Колку самогласки има во македонскиот стандарден јазик?

Колку согласки има во македонскиот стандарден јазик?

Според треперењето или мирувањето на гласните жици, согласките се делат на:

Правописот и правоорот се во тесна врска со:

9. Македонски јазик и литература - Општо образование

Прашање

Кои промени треба да ги следи правописот?

Со кое писмо ги предаваме скратениците од туѓите зборови?

Какви знаци се извичникот и прашалникот?

Писмен документ што се води во самиот процес на одвивање на некој состанок, седница или настан се вика:

Писмена форма на комуницирање со која испраќачот ги нуди своите производи за пласман се вика:

Според карактерот, писмото, како форма на комуницирање, може да биде:

Приговорот е писмен состав кој има сличности со:

Што подразбираме под лирско јас?

Како ја дефинираме епопејата?

На колку книжевни родови е поделена литературата?

9. Македонски јазик и литература - Општо образование

Прашање

Научната поддисциплина која ги проучува само раскажувачките текстови се вика:

Митот и фолклорот се извори за:

Според авторството на творбата, литературата се дели на:

Лириката, епиката и драмата се:

Творецот во народната литература не е определен со:

Постојаните епитети се користат најчесто во:

Строфа составена од два стиха се нарекува:

9. Македонски јазик и литература - Општо образование

Прашање

Строфа составена од четири стиха се нарекува:

На колку глинени плочи е запишан асиро-вавилонскиот еп „Гилгамеш“?

Како се вика суштеството коешто е испратено од боговите да му се спротивстави на Гилгамеш?

Кој му ја одзема тревката на бесмртноста на Гилгамеш?

Кои два града се претпоставува дека се родно место на Хомер?

Ахил, Пандора, Херкул и Прометеј, според грчката митологија се:

Од што се плаши Гилгамеш?

Во која мисија св. Климент и Наум Охридски биле заедно со св. Кирил и Методиј?

Кој е основоположник на словенската писменост, јазик и литература во Македонија?

9. Македонски јазик и литература - Општо образование

Прашање

Кој го основал манастирот „Свети Архангели“ на брегот на Охридското Езеро?

Кој го напишал пофалното слово за св. Кирил?

Кое дело го напишал Црноризец Храбар?

Што е митологија?

Евангелијата по Матеј, Марко, Јован и Лука се наоѓаат во:

На кои од наведените дела е автор Хомер?

Кои од наведените дела ѝ припаѓаат на староиндиската литература?

Вештачкиот јазик се одликува со:

Колку функции има јазикот како систем од знаци?

Јазиците: интерлингва и есперанто се:

Ако јазикот е општествена појава, тогаш говорот е:

За најстари видови писма се сметаат:

9. Македонски јазик и литература - Општо образование

Прашање

Од кој јазик водат потекло јазиците од словенската група?

Кратовската книжевна школа имала свои центри и скрипториуми во манастирот:

Старословенскиот јазик е јазикот на кој зборувале Словените од околината на:

Што се грамоти:

Колку дамаскини настанале на тлото на Македонија?

Каде се чува Калимановата грамота?

Кои се двете средновековни книжевни школи што работеле на територијата на Македонија?

Какви се согласките б, в, д според звучноста?

Која самогласка според положбата на усните е заокружена?

Според степенот на издигнување на јазикот, согласките И и У се:

9. Македонски јазик и литература - Општо образование

Прашање

Едначењето на согласките по звучност е:

Која гласовна промена се бележи во изговорот, а не и во пишувањето?

Една од најважните и најчестите причини за гласовните промени е:

Според движењето на јазикот напред-назад, самогласките ги делиме на:

Според кои критериуми ги делиме согласките?

Што е елизија?

Поделбата на согласките на преградни, теснински и преградно-теснински е направена според:

Поделбата на согласките на: уснени, забновенечни, венечни, тврдонепчени и меконепчени е направена според:

Правилата за слеано и разделено пишување на зборовите ги среќаваме во:

Пренесувањето на дел од зборот во друг ред го означуваме со:

Голема буква задолжително пишуваме на:

Со голема буква задолжително ги пишуваме:

9. Македонски јазик и литература - Општо образование

Прашање

Поглавјата: „Пишување на гласовите“, „Употреба на голема буква“, „Интерпункција“ се составен дел на:

Правописните знаци и правописниот речник се составен дел на:

Акцентот кај глаголскиот прилог во македонскиот стандарден јазик е на:

Која сложена именка не е правилно напишана?

Кои зборови се акцентогени?

Гласовната промена во примерот брек која не се одбележува во правописот се нарекува:

Што значи неформално изразување?

Молбата, жалбата и приговорот се:

Писмен состав на комуницирање со расчленето и прокоментирано образложение се вика:

9. Македонски јазик и литература - Општо образование

Прашање

Записникот мора да содржи:

Кога се пишува записникот?

При адресирањето на писмото, во кој кој случај се пишува „За“, а во кој случај се пишува „До“ кого се упатува?

Што проучува историјата на литературата?

Што е задача на литературниот критичар?

Која функција на јазикот е доминантна во литературата?

Кога историјата на литературата го проучува меѓусебниот однос на две или повеќе национални литератури, тогаш таа се нарекува:

Основната замисла и поента на авторот при создавањето на епското дело е:

Мотивот на пејзажната лирика е:

9. Македонски јазик и литература - Општо образование

Прашање

Лирската песна во чест на богот Дионис се вика:

Како се вика усменокнижевната форма во проза во која заплетот започнува со нарушување на хармонијата во воспоставените односи меѓу ликовите во семејството, а во кој главниот јунак, по совладување на препреките, дејствувањето го завршува со среќен крај?

Како ја дефинираме поемата?

Што е роман?

Пресврт во дејството, неочекувана случка, односно непредвидена препрека пред која ќе се најдат ликовите во драмата се вика:

Што е идеја во делото „О писменех“ („За буквите“)?

Според старогрчката митологија, зошто Парис ѝ го подарил златното јаболко на Афродита?

9. Македонски јазик и литература - Општо образование

Прашање

Кои од следниве средновековни литературни дела се одликуваат со високопарен стил употребен во функција на издигнување на делата на некој светец или проповедник?

Кое дело од старогрчката литература го опишува враќањето на Одисеј од Тројанската војна?

Кои аспекти на јавниот живот го поттикнувале создавањето на словенската писменост во средновековниот период?

Книгата за Јов е алегоричка за:

9. Македонски јазик и литература - Општо образование

Прашање

Како се нарекуваат црковните творби посветени на делото на светецот или проповедникот кој ја шири христијанската религија?

Кое е општественото значење на делото „О писменех“ („За буквите“)?

Според колку преписи е зачувано делото „О писменех“ („За буквите“)?

Каде се наоѓал Пантеонот на боговите според старогрчката митологија?

Чии пријатели се Софар, Валдад и Елифаз?

Зошто боговите решиле Енкиду да умре?

Во чија библиотека се чувале дванаесетте глинени плочи на кои е запишан асиро-вавилонскиот еп „Гилгамеш“?

Со што ги предизвикал Хектор Ахиловиот гнев и желбата за одмазда?

На кој лик од Стариот завет се однесуваат епитетите: непорочен, праведен, богобојазлив?

9. Македонски јазик и литература - Општо образование

Прашање

Прочитај го внимателно текстот и одговори на поставеното прашање.
„ Народните лирски песни Вук Караџиќ ги нарекол женски песни, но забележал дека нив не ги пеат само жени и девојки, туку и мажи и тоа најмногу по двајца во еден глас. Според него женските песни ги пее еден или двајца само поради својот разговор, затоа што пеењето на женски песни повеќе се гледа на пеењето отколку на песната....“
Која форма на јазикот е употребена во текстот?

Прочитај ги внимателно текстовите и одговори на поставеното прашање.

Текст 1

„Бисеро, моме, Бисеро,
шчо носиш бисер на грло?
Твоето грло хубаво и от дребнаго бисера
хилјади п`ти побело.“

Текст 2

„Везилке, кажи, како да се роди
проста и строга македонска песна
од ова срце што со себе води
разговор ноќен во тревога бесна?“

Која форма на јазикот е претставена во извадоците?

Со кое писмо се напишани најстарите старословенски ракописи од Македонија: „Зографско евангелие“, „Асеманово евангелие“, „Мариинско евангелие“?

9. Македонски јазик и литература - Општо образование

Прашање

Одреди во кој од наведените зборови гласот р не е носител на слогот?

Определи во кој збор е одбележано едначењето на согласките по звучност?

Одговори за која гласовна промена станува збор во следниве примери: роди-раѓа, трн - трње, белег - белези.

За која гласовна промена станува збор во следниве примери: грозд-грозје, лист - лисје, петел - петли.

Во кој збор гласот р е носител на слогот?

Во кој од наведените примери не е претставена гласовната промена испуштање на гласовите?

Паровите на гласовите: б-п, в-ф, г-к, д-т, претставуваат:

9. Македонски јазик и литература - Општо образование

Прашање

Во кој збор правилно е извршено безвучување на звучната согласка на крајот од зборот?

Која гласовна промена е извршена во зборовите: сведок-сведоци, ракарчен, брат-браќа?

Реченицата: До гуша му дојде, треба да се изговори како:

Кој од примерите образува акцентска целост со енклитика?

Кај кој збор акцентот не е на третиот слог од крајот на зборот?

Во кои од наведените зборови од туѓо потекло акцентот паѓа на третиот слог од крајот на зборот?

Во која реченица е правилно напишан првиот збор?

9. Македонски јазик и литература - Општо образование

Прашање

Кој од дадените примери
не се пишува со ѓ?

Кој географски назив не е правилно напишан?

Во кој од наведените примери зборот братство е правилно пренесен од еден во друг ред?

Во кој од дадените зборови не е правилно употребена големата буква?

9. Македонски јазик и литература - Општо образование

Прашање

Внимателно прочитај го извадокот и одговори на поставеното прашање.

Училиште: СУГС на град Скопје „Здравко Цветковски“

СУГС на град Скопје „Здравко Цветковски“, доби училиштен грант од Светска банка на Владата на Холандија и има намера да искористи дел од средствата за прифатливи плаќања:

- набавка на аудивизуелни наставни средства
(компјутери, ЛЦД проектор, ЦД и ДВД)

Ве повикуваме доколку ги исполнувате следните услови:

1. Добри препораки од претходни клиенти;
2. Законски регистрирана фирма од страна на локалните власти;
3. Фирмата да е ДДВ обврзник.

Лице за контакт:

Датум и место Комисија за набавка Скопје, 10 јуни 2012

СУГС

„Здравко Цветковски“

Опреди за каков документ станува збор.

9. Македонски јазик и литература - Општо образование

Прашање

Внимателно прочитај го извадокот и одговори на поставеното прашање.

„...Сметам дека сум оштетен во врска со одговорите на прашањата за екстерното оценување, бидејќи на прашањата дадов одговор во согласност со начинот на кој тие прашања се претставени во учебникот по македонски јазик и литература. Затоа барам мојот тест уште еднаш да биде прегледан.“

Скопје, 10.10.2013г.
почит,

Со

Огнен Петревски

За каков деловен документ станува збор?

Внимателно прочитај го извадокот и одговори на поставеното прашање.

„...Го молам училиштето да ми издаде дупликат диплома за завршено средно образование од четиригодишно траење, здравствена струка, образовен профил медицинска сестра.

Прилеп, 12.11.2011г.
почит,

Со

Здравковска

Елена

За каков деловен документ станува збор?

При различни форми на деловна писмена комуникација, во долниот лев дел на листот стои:

9. Македонски јазик и литература - Општо образование

Прашање

Опредили која стилска фигура е употребена во стиховите:

„Ти ли се најде, Лено мори,
ти ли се најде,
ти ли се најде Лено мори,
баждар да чуваш?“

9. Македонски јазик и литература - Општо образование

Прашање

Прочитај ги внимателно стиховите од народната песна „Стојан и Лилјана“ и одговори на прашањето.

„Учи ме, мајко, карај ме,

како да земам Лилјана,

Лилјана мома убава:

Лилјана ситен босилок,

Лилјана розов трендафил.

- Учам те, синко, карам те,

како да земеш Лилјана,

Лилјана мома убава.

Слегни си долу в чаршија,

купи си севгар волови,

изорај рамни дворови,

посеј си бела пченица,

повикај моми на жетва,

9. Македонски јазик и литература - Општо образование

Прашање

Прочитај го внимателно извадокот од драмата „Антигона“ и одговори на прашањето.

„Антигона: Што сакаш мисли си, но среќна ќе сум јас
 да умрам откако го братот погребам.
 Ќе легнам смислена до него милиот
 штом свето согрешам, бидејќи подолго
 на долните ќе треба да сум угодна
 одошто на овие, што се овдешни.“

На кој вид драма му припаѓа извадокот?

Внимателно прочитај ги стиховите и одговори на прашањето.

„Коледе леде,
паднало греде,
утепало деде.
Деде се мачи, баба го плачи,
за четири јајца, гускини, шаткини.
Коледе бабо, Коледе.“

Во кој вид народни песни спаѓа песната?

9. Македонски јазик и литература - Општо образование

Прашање

Прочитај го внимателно текстот и одговори на прашањето:

„Теарце му негово рождение,
Пречиста и Хиландар пострижение,
Лешок му е негоо воспитание,
под плочава негоо почивание.“

На кој литературен вид му припаѓаат наведените стихови?

Прочитај го внимателно извадокот од „Илијада“ и одговори на поставеното прашање.

„Не ме заколнувај кучко, во колена, в татко и мајка,
да не ме натера бесот и срцето палаво мене,
живо да месо ти кинам и јадам за она што стори;
никој не ќе може пците од главата да ти ги спречи...
...туку грабливите птици и пци ќе те раскинат тебе.“

Кои особини на Ахил се препознаваат од наведените стихови?

9. Македонски јазик и литература - Општо образование

Прашање

Прочитај го внимателно извадокот од „Гилгамеш“ и одговори на поставеното прашање.

„Косите си ги корнеше и фрлаше.
Облеката си ја искина и облече жална, прашлива...
Пријателот што го сакав, земја стана.
Енкиду, пријателот мој
грст земја се претвори.
Зар и јас ко он ќе морам да се смирам
и довека да не станам?
Зар и јас, и јас ко Енкиду ќе умрам?“

Што е претставено во наведениот извадок?

Прочитај го внимателно извадокот од „Илијада“ и одговори на поставеното прашање.

„Нејзе ѝ прозборе потем големиот вртишлем Хектор:
Вистина, жено, за ова се мислам и јас, но се срамам
страшно од нашите Тројци и Тројки со облеку долги,
ако се повлечам јас како страшливец беден од бојот;
зашто не ме пушта духот и везден сум свикнал да бидам
чесен и одважен јас да се борам сред првите Тројци,
старата таткова велја и своја гледајќи да спазам“.

Која карактеристика на ликот на Хектор ја опишал авторот со стиховите?

9. Македонски јазик и литература - Општо образование

Прашање

Прочитај го внимателно извадокот од „Книга за Јов“ и одговори на поставеното прашање.

„Гол излегов од утробата на мајка ми и гол ќе се вратам. Господ даде, Господ зеде... Зар доброто да го примаме од Бога, а злото да не го поднесуваме?“

Што кажува за Јов наведениот извадок?

Прочитај го внимателно извадокот од „Панонските легенди“ и одговори на поставеното прашање.

„Не врне ли дожд од Бога еднакво за сите? А сонцето не грее ли исто така за сите? Зарем не дишеме воздух сите еднакво? Па тогаш, како не се срамите да признаете само три јазика, а сите други народи и племиња сакате да бидат слепи и глуви?“

Што е претставено во извадокот?

Кој се потпишува на крајот на записникот?

10. Математика - Општо образование

Прашање

Бројот $\sqrt{3}$ е:

На местото од прашалниците за исказот $\frac{2}{5} ? \frac{3}{5} ? \frac{6}{10} ?$ да биде точен треба да се стават знаците:

10. Математика - Општо образование

Прашање

Ако A и X се броеви, тогаш $A + X = X + A$. За кое својство станува збор?

Нека $m, n \in \mathbb{N}$. Кој е условите за $m - n \in \mathbb{N}_0$?

Дадени се броевите 68, 99, 204, 316, 419, 750, 202 и 991. Кои од нив се непарни броеви?

Дадени се искази за броевите од множеството цели броеви. Кој од исказите е точен?

Апсолутна вредност на бројот $-3\frac{4}{5}$ е:

Децималната дробка $-3\frac{6}{100}$ запишана како децимален број е:

Колку е $(-\sqrt{2}, \sqrt{2}) \cup [-1, 3]$?

Кои дробки се подредени од најмала до најголема?

Прост број е:

Исказ е:

Утврди кој од следните искази е точен:

10. Математика - Општо образование

Прашање

Кој од следните искази е точен?

е постапка за: $\frac{a}{b} + \frac{c}{d} = \frac{ad+bc}{bd}$, $b, d \neq 0$

Ако p и q се кои било искази, тогаш реченицата „ p или q “ е исказ кој го нарекуваме:

Изразот $\frac{\frac{a}{b}}{\frac{c}{d}}$, $b, d, c \neq 0$ е еднаков на:

Збирот $5 \cdot 7 + 5 \cdot 7 + 5 \cdot 7 + 5 \cdot 7 + 5 \cdot 7 + 5 \cdot 7$ запишан во пократка форма е:

Точно е:

Најмал заеднички содржател за 10, 100, 75, 240 е:

Кое од следните тврдења е точно?

За која вредност на x дробките $\frac{7}{8}$ и $\frac{-56}{x}$ се еднакви?

Колку е $\frac{2}{9} - \frac{3}{4}$?

Колку е $0,5 : (9,5 - 8,5)$?

10. Математика - Општо образование

Прашање

Множеството $A = \{ x \mid x \in \mathbb{R}, -\infty < x \leq 6 \}$ запишано како интервал е:

Ако $x = -21$ и $y = -7$ колку е $|x| - |y|$?

Кое од дадените равенствата или неравенствата НЕ е точно?

Децималниот број 0,12 запишан како нескратлива дробка е:

$\frac{1-\frac{2}{5}}{\frac{2}{5}}$
е:

Децималниот број 0,00002 може да се запише како:

Приближување со точност до 0,01 со недостиг за бројот 3,275 е:

Кои од дробките се еднакви?

Решението на равенката $\frac{3}{4} - x = \frac{1}{2}$ е:

Броевите: 5, -3, 2, -1, 0, -5 се подредени точно по големина:

10. Математика - Општо образование

Прашање

Кој од следните искази е вистинит?

Кој од следните броеви е најмал?

По скратување на дробката $\frac{20 \cdot 6 \cdot 21}{9 \cdot 14 \cdot 25}$ се добива:

Колку е $7 - ((-4) \times (-3) - (+3) \times (+6))$?

Кој од броевите припаѓа на пресекот на интервалите $(1, 6)$ и $(-2, 4]$?

Решение на равенката $\frac{3}{4} - x = \frac{1}{2}$ е:

Кои дробки се подредени по големина почнувајќи од најголемата?

Да претпоставиме дека a, b и c се реални броеви, a е различно од нула и $a \cdot c = a \cdot d$. Што може да заклучиме?

Операцијата $*$ е определена како $a * b = |b - 2a|$. Колку е $8 * 5$?

Кое од следните тврдења е точно?

Колку е $(10 - 4 \cdot 3) \cdot (13 - (17 - 2) \cdot 4 + 8 \cdot (-3))$?

10. Математика - Општо образование

Прашање

Периодичниот децимален број $0,(18)$ запишан како дробка е еднаков на:

Нека m и n се парни броеви, а k е непарен број. Каков е бројот $(m+k) \cdot n$?

Ако целиот број $5 \cdot 2^a$ е точно делив со само 8 позитивни цели броеви, тогаш $a = ?$

Кој е редоследот на извршување на логичките операции во исказната формула $(p \vee q) \wedge \neg p \Leftrightarrow q$?

Вистинит е исказот:

и Ако m се природни броеви и n тогаш: $m < n$

Колку е $\frac{\frac{2}{5}-1}{1-\frac{3}{1-\frac{1}{4}}} + \frac{4}{5}$?

Збирот на три последователни непарни броеви е 39. Колку е најмалиот од трите непарни броеви?

10. Математика - Општо образование

Прашање

Множеството од сите прави во рамнината Π , што се паралелни меѓу себе дефинира во таа рамнина:

Величината која геометриски се претставува со класа (множество) на сите насочени отсечки еднакви меѓу себе се нарекува:

Кој многуаголник има толку страни колку што има дијагонали?

Математичкото тврдење чија вистинитост е утврдена со доказ се вика:

Која од теоремите е искажана во условна форма?

Која е основна геометриска фигура?

Во секој паралелограм, соседните агли се:

Ако \vec{a} е произволен вектор, тогаш интензитетот на векторот е:

Кое од дадените својства е основно својство?

Својствата кои се прифаќаат за вистинити, односно за точни, без доказ се нарекуваа:

10. Математика - Општо образование

Прашање

Колку вектори, еднакви на даден вектор \vec{AB} може да се конструираат од една точка M ?

Дадени се точките A, B, C и D . Колку вектори може да се формираат со почеток во една, а крајот во друга од дадените точки?

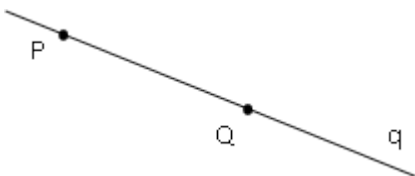
Упростен изразот $2(\vec{a} - \vec{b}) - 3(\vec{a} - 3\vec{b})$ е:

Една тетива има должина 16 cm и од центарот на кружницата е на растојание 15 cm . Радиусот на кружницата е:

Непознатиот вектор \vec{x} од равенката $\vec{a} - \vec{x} = \vec{c} - \vec{b} + \vec{a}$ е:

Даден вектор е дефиниран со:

Колку полуправи определуваат точките P и Q на правата q ?



10. Математика - Општо образование

Прашање

Колку отсечки определуваат пет точки на иста права?

Кое од следните тврдења за соседни агли е точно:

Колку прави определуваат пет точки од кои три се колинеарни?

Кој од понудените одговори е аксиома?

Две прави во рамнината НЕ може да се:

Дадени се искази за заемната положба на прави или рамнини. Кој од следните искази е вистинит?

Даден е триаголник ABC . Со неговите страни дадени се векторите \vec{AB} , \vec{BC} и \vec{AC} . Изрази го векторот \vec{AC} со векторите \vec{AB} и \vec{BC} .

Даден е паралелограмот $ABCD$ чии дијагонали се сечат во точката O . Да се пресмета збирот на векторите \vec{OA} , \vec{OB} , \vec{OC} и \vec{OD} .

Непознатиот вектор \vec{x} од равенката $2\vec{x} - \vec{b} + 2\vec{a} - \vec{c} = \vec{x} - 2\vec{b} + 3\vec{a}$ е:

10. Математика - Општо образование

Прашање

Непознатиот вектор \vec{x} од равенката $2\vec{a} + \vec{b} - 2\vec{x} = \vec{c} - \vec{a} - 2\vec{b}$ е:

Секогаш НЕ може да се определи рамнина ако се дадени:

Кој многуаголник има ист број на страни и дијагонали?

Одреди го аголот α којшто е за $\frac{2}{9}$ поголем од големината на правиот агол.

Ако збирот на некој агол α и двата негови напоредни агли е 245° , тогаш:

Аглите на триаголник кои се однесуваат како 2:4:6 се:

Односот на спротивната страна и налегнатата катета на остар агол во правоаголен триаголник е:

е: $\sin 60^\circ$

Основен тригонометриски идентитет е:

Аголот 30° запишан во радијани е:

10. Математика - Општо образование

Прашање

Запиши го во степени аголот $\frac{\pi}{3}$.

За која вредност на аголот α ќе биде точно $\cos 49^\circ = \sin \alpha$?

Комплементен агол на аголот 65° е:

Колку е $\operatorname{ctg} 30^\circ$?

може да има вредност: $\sin \alpha$

За два агли велиме дека се комплементни ако:

Што е радијан?

е еднакво со: $\operatorname{tg} 37^\circ$

Најди ја функцијата со иста вредност какои $\cos 67^\circ$.

Колку е збирот на комплементниот и суплементниот агол на аголот од 32° ?

Суплементниот агол на аголот од 57° , намален четири пати е:

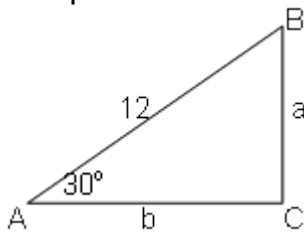
Заокружи го најмалиот од броевите.

10. Математика - Општо образование

Прашање

Ако $\text{ctg}(\alpha + 58^\circ) = \text{ctg} 85^\circ$, тогаш:

За правоаголниот триаголник ABC катетата a е:



Ако $\sin(\alpha + 10^\circ) = \sin 40^\circ$, тогаш:

Вредноста на изразот $2\sin 30^\circ + \text{tg} 45^\circ$ е:

Колку е $\cos \alpha$, ако α е остар агол и $\sin \alpha = \frac{5}{13}$?

Упростен изразот $\sin \alpha - \sin \alpha \cdot \cos^2 \alpha$ е еднаков на:

е: $(\cos 60^\circ)^{-2}$

Колку е $\sin \alpha$, ако α е остар агол и $\cos \alpha = \frac{4}{5}$?

е: $\cos 60^\circ + \text{tg} 45^\circ$

Кое од неравенствата е точно?

10. Математика - Општо образование

Прашање

Вредноста на изразот $4\cos 60^\circ - \operatorname{ctg} 45^\circ$ е:

е: $(\sin 60^\circ)^{-2}$

Кој од дадените броеви е најмал?

Колку е вредноста на изразот $2\sin 30^\circ + 3\operatorname{ctg} 60^\circ - \operatorname{tg} 60^\circ - \operatorname{ctg} 45^\circ$?

Колку е дијагоналата на правоаголник со страна $a = 8\text{cm}$ и аголот меѓу таа страна и дијагоналата $\varphi = 60^\circ$?

Висината на рамнокрак трапез со крак $c = 18\text{cm}$ и агол при поголемата основа $\alpha = 45^\circ$ е:

Колку степени е аголот што го опишува минутната стрелка на часовникот за време од 6 минути?

Кое од дадените тврдења е точно?

Кој од изразите има вредност поголема од $\frac{1}{2}$?

10. Математика - Општо образование

Прашање

Упростен изразот $\sin^4 \alpha + \sin^2 \alpha \cdot \cos^2 \alpha + \cos^2 \alpha$ е:

Колку е $\cos \alpha + \sin \alpha$, ако α е остар агол и $\sin \alpha = \frac{1}{3}$?

Пилотот на авионот што се наоѓа на висина од 1 500 m му јавил на капетанот на рибарскиот брод дека под себе забележал големо јато риби. Од бродот, со мерење утврдиле дека аголот спрема морето под кој го гледаат авионот изнесува 60° . Колку е далеку бродот од јатото риби?

Колку е висината на рамнокрак трапез, ако дијагоналата на трапезот е 6cm , а аголот што таа го зафаќа со поголемата основа е 60° ?

Колку е плоштината на паралелограмот $ABCD$, со страни 10cm и 8cm и агол меѓу нив 30° ?

Аголот α постои, ако:

Изразот $2 - \sin^2 \alpha - \cos^2 \alpha$ со користење на основниот тригонометриски идентитет точно е упростен:

Колку е $\operatorname{tg} \alpha$, ако α е остар агол и $\sin \alpha = \frac{4}{5}$.

Ако $\operatorname{tg} \alpha = \frac{8}{15}$ и α е остар агол, тогаш вредноста на $\cos \alpha$ изнесува:

Ако $\operatorname{ctg} \alpha = \frac{9}{40}$ и α е остар агол, тогаш вредноста на $\sin \alpha$ изнесува:

10. Математика - Општо образование

Прашање

Изразот $\frac{1+\sin\alpha-\cos^2\alpha}{1+\sin\alpha}$ упростен е:

Висината на која допира пожарникарската скала е 7 метри. Колкава е должината на скалата ако таа со хоризонталата зафаќа агол од 30° ?

На кој од изразите точно е одреден знакот?

Упрости го изразот $(1+\operatorname{tg}\alpha)^2 - 2\operatorname{tg}\alpha$.

Провери кое од равенствата е точно.

За секое $a \in \mathbb{R} \setminus \{0\}$ и $m, n \in \mathbb{N}$, е: $m > n$

Како се вика изразот добиен само со множење и степенување на природен експонент на константи и променливи?

е еднакво на: $(a+b) \cdot (a-b)$

Производ на n еднакви множители, од кој секој е еднаков на некој рационален број a се вика:

Алгебарскиот израз кој содржи само константи се вика:

Кој е цел рационален алгебарски израз?

Слични мономи се:

10. Математика - Општо образование

Прашање

Цел рационален израз што е производ од некоја бројна константа и степен од некои променливи со показател природен број се вика:

Степенот $(a + b)^3$ запишан како производ е:

Кој од следните изрази НЕ Е полином?

Кој од дадените изрази е цел рационален израз?

Два мономи со еднакви главни вредности се викаат:

Степен на полином е:

Производ на два броја се степенува, така што:

Упрости го изразот $8x - 4(2x - 5) - 2$.

Изврши ги назначените операции: $(2^3)^2 \cdot 2^4$.

Изврши ги назначените операции: $\frac{x^2 y^3}{x^5 y^4}$.

Коефициентот на мономот $4y(-2z) \cdot (-3xy)$ е:

Изврши ги операциите во полиномот $9a^2b - 5ab^2 + a^2b - 2ab^2$.

10. Математика - Општо образование

Прашање

Колку е $3(-1)^2 - 2(-1)^3$?

Колку е $(2ab^2)^3$?

Спротивни мономи се:

Колку е $(xy^3) \cdot (-3a^2x^3y^2)$?

За која вредност на a дробката $\frac{1}{2+a^2}$ добива најголема вредност?

Количникот на мономите $\frac{7}{8}x^3y^4$ и $-\frac{7}{4}x^2y^2$ е еднаков на:

Колку е $((-2)^{-2})^{-1}$?

Допуштени вредности на алгебарската дробка $\frac{5x+7}{x(x^2-25)}$ се:

Коефициентот на мономот $2x \cdot 3x^2y^4$ е:

Производот на полиномот $3x^2y^3 - 2xy^2 + 5xy$ и мономот $-2x^3y^3$ е еднаков на:

Со кој од полиномите е сличен полиномот: $4x^3 - 3x^2 + 6x^3 + x^2$?

10. Математика - Општо образование

Прашање

Главна вредност на мономот $(2xpb) \cdot (4x^2b)$ е:

Степенот на мономот $4y(-2z) \cdot (-3xy)$ е:

Изврши ги означените операции со степените $x^{n-1} \cdot x$.

Колку е $\left(-\frac{3x^2}{b}\right)^3$?

Пресметај $\frac{6,9 \cdot 10^4}{2,3 \cdot 10^7}$.

Степенувај $(3x^3 - 2y)^2$.

Разложено на множители полиномот $2x^3y - 30x^2y + 108xy$ е:

Пмножи $\frac{15x}{5x+5} \cdot \frac{x^2+3x+2}{x^2+2x}$.

Пресметај $\frac{3}{x-1} - \frac{2}{x-3}$.

Кои се допуштени вредности за x во изразот $\frac{x^2+2x+1}{x+3}$?

Разложи го полиномот $-25a^4 + 20a^2x^2 - 4x^4$ на прости множители.

Колку е $(1-9x^2) : (1+3x)$?

10. Математика - Општо образование

Прашање

Разложи го полиномот $2a \cdot (b-3) + 5c \cdot (3-b)$ на прости множители.

Најголем заеднички делител за $3x^2 + 6x + 3, 9x^2 - 9bx + 6$ е:

За која вредност на a дробката $\frac{3}{5+(a-1)^2}$ добива најголема вредност?

Равенството $(x^3 - 2x^2 + x) \cdot P = 2x^3 - 5x^2 + x$ е точно за:

Степенот на полиномот $a^6x^2(x^2y-5)^2 + b^4x(x-y^2)^3 + c^5x^4y^3$ со променливи x и y е:

Најголем заеднички делител на полиномите $2a^2b - 4ab^2, 3a^3b^2 - 6a^2b^3$ е:

Дадена е линеарната равенка $ax = b$. Кога линеарната равенка е невозможна (нерешлива, апсурдна)?

Дефиниционата област на линеарната функција $f(x) = kx + n$ е множеството:

Која од функциите е линеарна?

Кои се коефициентите на функцијата $f(x) = -3x + 5$?

Графиците на две линеарни функции $f_1(x) = k_1x + n_1$ и $f_2(x) = k_2x + n_2$ се паралелни прави ако и само ако:

10. Математика - Општо образование

Прашање

Која од следните равенки е линеарна равенка со една непозната?

Која од равенките е линеарна равенка со една непозната?

Точката со координати $M(-3,1)$ се наоѓа во:

Која од следните функции е линеарна?

Линеарна равенка со една непозната е равенката:

Решение на равенката $-2(x-8) = 20$ е:

Множеството вредности на функцијата $f(x) = -8$ е:

За која вредност на параметарот k функцијата $f(x) = (2-3k)x + k - 3$ е монотono растечка? е м

Со користење на теоремите за еквивалентни равенки и нивните последици точно е:

Решение на системот линеарни неравенки $\begin{cases} x+2 < 7+2x \\ 4-x > x-2 \end{cases}$ е:

Решение на равенката $1 + \frac{x}{2} = \frac{x+6}{4}$ е:

Равенката $kx = 3+k$ има решение нула за:

10. Математика - Општо образование

Прашање

Која од точките му припаѓа на графикот на функцијата $y = 2x - 1$?

Нула на функцијата $y = x + 2$ е бројот:

Некоја работа 16 работници можат да ја завршат за 12 дена. За колку денови ќе ја завршат истата работа 2 работници?

Пресек на интервалите $(1, 6)$ и $[-2, 4]$ е интервалот:

Во пропорцијата $\frac{3}{4} : 3 = x : 2$, x изнесува:

Решение на равенката $\frac{3}{4} - x = \frac{1}{2}$ е:

Решение на системот неравенки $\begin{cases} x > -2 \\ x > 1 \end{cases}$ е интервалот:

Множеството $\{x | a < x \leq b\}$ запишано со интервал е:

Збирот на растојанијата X km и 24 km поделен со 7 е 11 . Колку е растојанието X .

Запиши равенка на растечка функцијата $y = ax + b$ за која што $a \in \{-2, -1, 0, 2\}$ и нејзиниот график минува низ точката $A(0, -2)$.

10. Математика - Општо образование

Прашање

За изнајмување на опрема една компанија наплатува фиксна стапка 25 евра, плус 13 евра на ден за осигурување. Пеце има 121 евро. Напиши неравенство со кое ќе се претставува бројот на денови за кои Пеце може да изнајми опрема.

Графикот на линеарната функција $y = -2x + 3$ со позитивната насока на x -оската зафаќа:

Од местото А кон местото В тргнува камион кој се движи со брзина 50 km/h. Два часа подоцна од истото место тргнува лесна кола, која се движи во иста насока со брзина 75 km/h. По извесно време лесната кола го стигнала камионот во местото В. Растојанието од местото А до местото В е:

Решение на равенката $(x - 2) \cdot (x + 2) - x^2 + 2x = 4$ е:

Определи со која од равенките е запишана реченицата „Ако еден број се намали за 4 и добиената разлика се зголеми 3 пати, тогаш се добива бројот 9“.

За која вредност на параметарот k равенката $(k + 1) \cdot x = 2$ нема решение:

За која вредност на параметарот $m \in \mathbb{R}$ линеарната равенка $(m - 1) \cdot x = m - 2$ има секогаш едно решение различно од нула?

Решението на неравенката $\frac{1}{2} - x \geq 1$ е интервалот:

За функцијата $y = 3x - b$ одреди го b , така што нејзиниот график и графикот на функцијата $y = -\frac{1}{2}x - 4$ ја сечат ординатната оска во иста точка.

10. Математика - Општо образование

Прашање

Таткото е 25 години постар од синот. Колку години има таткото, ако годините на синот се $\frac{3}{8}$ од годините на таткото?

Секој агол во рамностран триаголник е:

Еден триаголник може да има:

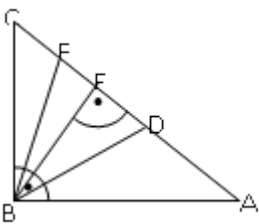
Острите агли во правоаголен триаголник се:

Во кој триаголник збирот на двата негови агли е еднаков на третиот агол?

Збирот на аглите што лежат на иста страна на паралелограмот е:

Висината на рамностран триаголник е:

Колку од триаголниците на цртежот се правоаголни?



10. Математика - Општо образование

Прашање

Кој од следните четириаголници НЕ Е тангентен четириаголник?

Ако соодветните основни елементи на два триаголници меѓусебно се еднакви, тогаш триаголниците се:

Аглите што лежат на ист крак на трапезот се:

За четириаголникот $ABCD$ дадени се аглите: $\alpha = 70^\circ, \beta = 150^\circ, \gamma = 110^\circ$.
Колку е аголот δ ?

Одреди го видот на триаголникот во кој еден од надворешните агли е еднаков на соседниот агол на триаголникот.

Во ΔABC страните се $AB = 11\text{cm}, BC = 13\text{cm}, AC = 7\text{cm}$. Најголем е аголот кај темето:

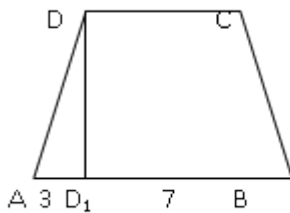
Во ΔABC , аголот α има 90° , а аголот β е двапати помал од γ . Колку степен се аглите β и γ ?

За триаголниците ABC и KLM е точно $AB = KL, BC = KM$ и $B = K$.
Соодветно еднакви се:

10. Математика - Општо образование

Прашање

Должината на средната линија на рамнокракиот трапез даден со цртежот е:



Дијагоналата на квадратот со страна $\sqrt{2}$ е:

Кој многуаголник има толку страни колку што има дијагонали?

Едниот агол што лежи на кракот од трапезот е 57° . Колку е другиот агол?

Колку е средната линија на рамнокрак трапез со основи $a = 7\text{cm}$ и $b = 4\text{cm}$?

Во еден триаголник, аголот $\alpha = 96^\circ$, а аголот β е двапати поголем од аголот γ . По колку степени имаат аглите β и γ ?

Колку е остриот агол меѓу симетралите на острите агли на правоаголен триаголник?

Во триаголникот ABC , надворешниот агол во темето A е $\alpha_1 = 110^\circ$, а внатрешниот агол при темето C е $\gamma = 50^\circ$. Најголема е страната:

10. Математика - Општо образование

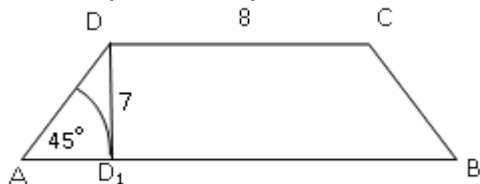
Прашање

Ако во триаголникот ABC има еден агол 36° , а другите два се однесуваат како $5:3$, тогаш тој е:

Подреди ги по големина страните на триаголникот ABC ($AB = c, BC = a, AC = b$), почнувајќи од најголемата, ако $A = 55^\circ$ и $B = 35^\circ$.

Во триаголникот ABC повлечена е средната линија MN (M средна точка на страната AC , а N средна точка на страната BC). Периметарот на ΔABC е 28cm , а периметарот на четириаголникот $ABNM$ е 20cm . Должината на средната линија MN е:

Според податоците на цртежот, должината на поголемата основа на рамнокракиот трапез $ABCD$ е:



Катетите на еден правоаголен ABC се $a = 6\text{cm}$ и $b = 8\text{cm}$. Колкав е радиусот R на опишаната кружница?

Катетите на еден правоаголен ABC се $a = 6\text{cm}$ и $b = 8\text{cm}$. Колкава е тежишната линија t_c повлечена од темето C на правиот агол?

Во паралелограмот $ABCD$ (со A и C како спротивни темиња) аголот кај темето A е $A = \frac{1}{3}x + 10^\circ$ и аголот кај темето C е $C = \frac{1}{2}x - 20^\circ$. Колку е x ?

10. Математика - Општо образование

Прашање

Плоштината на правоаголник е:

Плоштината на паралелограм е:

Плоштината на кружен исечок се пресметува со формулата:

Избери многуаголникот кој ги следи следните правила: Има помалку од 4 страни. Има 1 прав агол.

Плоштината на рамностран триаголник се пресметува со формулата:

Плоштината на кружен прстен е еднаква на:

Плоштина на круг со радиус r е:

Должината на лак со радиус r и централен агол α изразен во степени е:

Плоштината на квадрат со страна $a = 2,5\text{cm}$ е:

Плоштината на триаголник со страни $a = 10\text{dm}$ и висина $h_a = 7\text{cm}$ е:

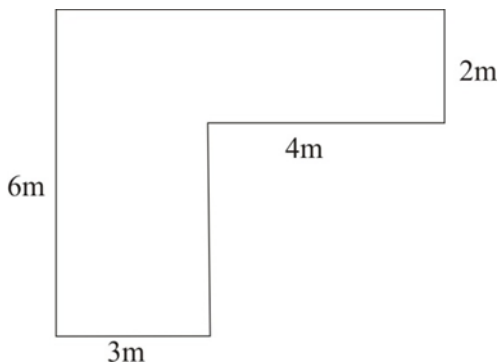
Плоштината на триаголник со страни $18\text{cm}, 20\text{cm}, 34\text{cm}$ е:

10. Математика - Општо образование

Прашање

Плоштината на правоаголник со страни $a = 4\text{cm}$ и $b = 3\text{cm}$ е:

Колку е периметарот на дадената рамнинската геометриска фигура?



Колку е периметарот на кругот со дијаметар 40 m, пресметан најблиската стотинка? За π да се земе 3,14.

За страните на два слични триаголници важи $a : a_1 = 3 : 1$. Како се однесуваат плоштините?

Должината на кружен лак со радиус 18 cm и агол 230° е:

Ако страните на триаголникот се $20\text{cm}, 16\text{cm}, 12\text{cm}$, тогаш неговата плоштина е:

Радиусот на кружница со периметар 18π cm е:

Дијагоналите на еден делтоид се $d_1 = 5\text{cm}$ и $d_2 = 10\text{cm}$. Плоштината на делтоидот изнесува:

10. Математика - Општо образование

Прашање

Ако страната на квадратот се зголеми три пати, тогаш неговата плоштина ќе се зголеми:

Колку се страните на правоаголник со плоштина $P = 243\text{cm}^2$ и едната страна е трипати поголема од другата?

Плоштината на ромб со страна $a = 13\text{cm}$ и дијагонала 10cm е:

Колку е плоштината на рамнокрак триаголник со периметар 36cm и разлика меѓу кракот и основата 3cm ?

Колку е плоштината на правоаголен триаголник со катета $a = 16\text{cm}$ и еден од аглиите 45° ?

Плоштината на еден трапез е 180cm^2 , а основите се $12,5\text{cm}$ и $5,5\text{cm}$.
Колку е висината на трапезот?

Еден квадрат и еден ромб (што не е квадрат) имаат исти периметри. Ако P_1 е плоштината на квадратот, а P_2 е плоштината на ромбот, тогаш:

Ако радиусот на една кружница се зголеми за 1, тогаш нејзината должина ќе се зголеми за:

Радиусот на опишаната кружница и радиусот на впишаната кружница во рамностран триаголник се однесуваат како:

10. Математика - Општо образование

Прашање

Подот на една училишна зграда има плошина $2dkm^2 16m^2$. Колку плочки се потребни за негово поплочување ако една плочка има плошина $900cm^2$?

Кој од цртежите е график на функцијата $y = \cos x$?

Кое од множествата е затворено во однос на операцијата собирање на природни броеви

Во стандардно означен правоаголен триаголник $\sin \beta$ е односот:

Идентитет е равенката:

Графикот на функцијата $y = -3x + 5$ е паралелен со графикот на функцијата:

Функцијата $y = -2x - 6$ е позитивна во интервалот:

Во рамнокрак трапез $ABTS$ дијагоналит се сечат во точка C . $\overline{AT} = \overline{BS}$ и $\overline{AC} = \overline{BC}$ ($\sphericalangle 1 = \sphericalangle 2$ - агли при основата на ΔABC). Според кој признак се складни триаголниците ACS и BCT ?

Плоштината на рамнокрак правоаголен триаголник со катета a и хипотенуза c се пресметува со формулата:

На цртежот полуправите OA , O_1B и O_2C лежат на иста права p , а полуправата MN е паралелна со правата p . Истонасочени се полуправите:

Која операција во формулата $p \wedge q \Leftrightarrow p \vee q$ треба последна да се изврши?

10. Математика - Општо образование

Прашање

На сликата подолу точките A, B, C, D се колинеарни. $\overline{AD} = 35\text{cm}$, и $\overline{AC} = 22\text{cm}$. Колку е долга отсечката $\overline{BD} = 29\text{cm}$? \overline{BC}

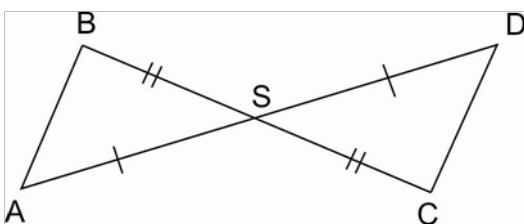
Нека ABCD е паралелограм и O пресек на неговите дијагонали. За множеството вектори $M = \{\vec{AO}, \vec{CO}, \vec{DO}, \vec{OO}, \vec{AB}, \vec{CD}\}$ точно е тврдењето:

Ако остриот агол расте од 0° до 90° , тогаш $\sin \alpha$:

Вредноста на производот $\operatorname{tg} 1^\circ \cdot \operatorname{ctg} 1^\circ$ е:

Решенијата на неравенката $6x \geq 84$ се дадени со интервалот:

Триаголниците ASB и DSC се складни според признакот:



Според податоците на цртежот ($\overline{AB} = 10, \overline{DD_1} = 3, \alpha = 45^\circ$) должината на помалата основа на рамнокракиот трапез ABCD е:

Графот на релацијата „... е делител на...“ во множеството $M = \{4, 6, 8, 10, 12, 16\}$ е:

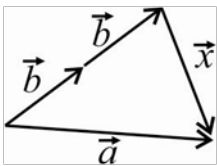
10. Математика - Општо образование

Прашање

Ирационалниот број $\sqrt{10}$ е претставен на бројната права:

Интервалот $[-1, 5)$ е претставен на бројната оска:

На цртежот е претставен векторот:



11. Музичка култура - Општо образование

Прашање

Кога се појавила музиката?

Мадригалот, Мотетот и Шансоната се дела кои се сретнуваат во творештвото на:

11. Музичка култура - Општо образование

Прашање

Кој од наведените композитори е претставник на музичката ренесанса?

Кој инструмент е карактеристичен за периодот на музичката ренесанса?

Кои музички форми се карактеристични за периодот на музичката ренесанса?

Кој од наведените композитори создавал во периодот на доцниот барок?

Кој од наведените композитори е претставник на барокот?

Кои музички форми се карактеристични за периодот на барокот?

Кои инструменти се карактеристични за барокот?

11. Музичка култура - Општо образование

Прашање

Оперите „Волшебната флејта“, „Свадбата на Фигаро“, „Дон Џовани“ се дела на?

Пронајди го Виенскиот класичар помеѓу композиторите:

Кој од наведените композитори е претставник на класицизмот?

Која оркестарска композиција е создадена во периодот на класицизмот?

Во чие творештво од наведените композитори преовладуваат емоциите и чувствата?

Кој од наведените композитори е претставник на романтизмот во Чешка?

11. Музичка култура - Општо образование

Прашање

Кој од наведените композитори е претставник на романтизмот?

Кој од наведените композитори е претставник на италијанската опера во романтизмот?

Кој од наведените композитори е претставник на германската опера во романтизмот?

Кој од наведените композитори е претставник на француската опера во романтизмот?

Кој од наведените композитори творел врз естетската основа на тонскиот колорит?

Кој од наведените композитори е претставник на импресионизмот?

Во кој период е застапен музичкиот правец класицизам?

Кој од наведените композитори е претставник на музиката од XX век?

11. Музичка култура - Општо образование

Прашање

Музиката која се создавала во периодот на средниот век, а била наменета за потребите на црквата се нарекува:

Музиката која се создавала во периодот на средниот век, а била наменета за да го забавува народот се нарекува:

Композицијата која што е наменета за изведба со глас во придружба на клавир или некој друг инструмент се нарекува:

Композицијата која е наменета за соло инструмент во придружба на оркестар се нарекува:

Според начинот на кој се произведува звукот, оргулите спаѓаат во групата на :

Музичко-сценското дело кое претставува спој од повеќе уметности се нарекува:

Симфониската поема „Влтава “ е дел од творештвото на еден од претставниците на романтизмот во Чешка, а тоа е:

11. Музичка култура - Општо образование

Прашање

Соло песната „Аве Марија“ е дел од творештвото на композиторот, кој оваа форма ја издигнал на највисоко ниво, а тоа е:

Операта „Кармен“ е дел од творештвото на најпознатиот оперски композитор во Франција во периодот на романтизмот, а тоа е:

Уште како мал е наречен чудо од дете поради неговото виртуозно свирење на клавичембало и големата музичка надареност. Станува збор за:

Која од композициите на Волфганг Амадеус Моцарт останала недовршена поради неговата прерана смрт.

Според начинот на кој се произведува звукот, лаутата спаѓа во групата на :

Музиката која е создадена од црниците во Америка, во која се опишува тешкиот живот на црниот човек се нарекува:

Морис Равел е автор на една од најпопуларните оркестарски композиции, која била користена и за балетски поставки. Откриј го насловот на оваа композиција!

11. Музичка култура - Општо образование

Прашање

Лудвиг ван Бетовен е наречен најголем симфоничар на своето време, иако напишал само:

Кој композитир има повеќе од 100 симфонии?

Ако на сцената уметниците преку танцување ја раскажуваат приказната, тогаш знаеме дека гледаме:

„Убавата „циганка“ започнува љубовна врска со офицерот Дон Хозе. Нивната љубов завршува трагично. Дон Хозе ја прободува со нож својата љубовница.“

Ова е опишано во една од најпопуларните опери чиј автор е Жорж Бизе.

За која опера станува збор?

Комичната опера во која берберот Фигаро е еден од главните ликови, а е дело на композиторот Џоакино Росини носи наслов:

11. Музичка култура - Општо образование

Прашање

Ако за успешна изведба на оваа музичка форма е потребно да се ангажираат пеачи, хор, танчери, оркестар и диригент, тогаш станува збор за музичко сценското дело наречено:

Овој електричен инструментите е застапен во модерната музика. На него се свира со удирање по дирки. Поддржува ритам, а истовремено може да се свира и мелодија. Тоа е:

Музиката во која акцентот е ставен на рецитирање на текстот, подржан со одредени ритмички елементи се нарекува:

Ако сакаме да слушаме оригинална модерна музика која се темели врз народната музика, тогаш треба да слушаме:

Основни карактеристики на тонот се:

Кои се основните родови на скали ?

11. Музичка култура - Општо образование

Прашање

Секоја нота без исклучок мора да има:

Брзината на изведување на композициите се бележи со:

Ако знаци за запишување на гласовите во говорот се букви, тогаш кои се знаците за запишување на тоновите во музиката?

Местото на тоновите во една скала се нарекува:

Нијансирањата на јачината на тоновите во една композиција се нарекува:

Ако две полови и една четвртина нота се поврзани со лак, тогаш колку вкупно ќе изнесува нивното времетраење?

Науката која се занимава со изучување на музичкиот фолклор се нарекува?

Терминот Фолклор во превод означува:

11. Музичка култура - Општо образование

Прашање

Кој од наведените музички инструменти припаѓа во групата на народни дувачки инструменти?

Според составот на играорците се издвојуваат:

Народните песни и ора имаат заедничко обележје:

Народните песни ги собираат:

Во македонските фолклорни песни најчесто застапен ритам е:

Народните инструменти тарабука и дајре припаѓаат во групата:

Музичкиот фолклор е поим што означува:

Песната создадена од непознат народен музичар – творец, а потоа прифатена од пошироката јавност е позната како:

Свирачот на мешница е:

11. Музичка култура - Општо образование

Прашање

Народната, изворна песна, за разлика од новосоздадената, е дело на:

Минатото и секојдневието на македонската градска чаршија се отсликува во:

Полонеза, краковјак, чардаш, мазурка се полски и унгарски:

Невестинското, кумовото, сватовото се:

Новосоздадената народна песна за разлика од изворната е дело на:

Во која група инструменти припаѓа инструментот гусла-ќемане според начинот на добивање на тонот?

Машките народни ора се карактеризираат со:

11. Музичка култура - Општо образование

Прашање

Женските народни танци се карактеризираат со:

Музичката фолклорна традиција (ора и танци) во нашата замја се негува во:

„Туѓината пуста да остане, таа од либето ме раздели, таа од либето ме раздели што го љубев време три години“. Од стиховите може да се заклучи дека по карактер песната е:

Љубовта кон татковината, величењето и идеализацијата на јунакот е главна цел во:

Состав од музичари со специфичен инструментариум, кој исполнува староградски музички творби го носи името:

Музичкиот фолклор, создаден од народот, поседува основни карактеристики кои го издвојуваат од останатото творештво. Која карактеристика НЕ припаѓа на музичкиот фолклор?

Кој инструмент припаѓа во групата на дувачки - аерофоници народни инструменти?

11. Музичка култура - Општо образование

Прашање

Кој инструмент НЕ припаѓа на групата дувачки - аерофонични народни инструменти?

Кој инструмент НЕ припаѓа на групата жичани - кордофонични народни инструменти?

Во македонската народна музика разликуваме рамнослужени и нерамнослужени метруми. Кој од наведените музички размери претставува нерамнослужен метрум?

Од поделбата на песните според содржината, во македонскиот музички фолклор се издвојуваат повеќе видови. Чувствата кон саканата/саканиот се опеани во:

Народните ора калајџиско, копачка, касапско се иманувани според:

Женските ора во македонскиот фолклор се карактеризираат со:

Писокот на зурлите и умерениот удар на тапаните го означува почетокот на најпознатото оро од мијачкиот крај:

11. Музичка култура - Општо образование

Прашање

Високите тонови во една вокална композиција ги исполнува:

Најдлабоките тонови во хорска композиција ги исполнува:

Зборот химна означува:

Химната на Р. Македонија е свечена песна која се изведува на прослави и различни видови манифестации. Кога се пее, присутните треба да ја слушаат:

Како се нарекува вокалната композиција што ја исполнува еден човечки глас, со или без придружба на инструмент?

Најважно при исполнување на една вокална творба (песна) е:

Кој од следните познати личности е творец на музиката и аранжманот на химната „ Денес над Македонија“?

Повеќегласната композиција составена од една или повеќе теми кои се повторуваат во различни гласови е позната како:

11. Музичка култура - Општо образование

Прашање

Убавото пеење, негувано во италијанската оперска школа од 17 до 19 век, се нарекува:

Ако делото го исполнуваат двајца пејачи, вокални изведувачи со или без придружба тогаш тие исполнуваат:

Денес разликуваме различни видови на химни. Химната „Денес над Македонија се раѓа,, спаѓа во групата на:

Ако композицијата е наменета за машки хор, кои гласови ќе бидат застапени?

Кој инструмент поседува најсложен механизам, најразновидна (индивидуална) техника и начин на интерпретација и се смета за најсовршен меѓу сите инструменти?

Идеалите за слобода, мир и солидарност се главната содржина на поемата „ За радоста“ од Шилер, чии текст Бетовен го искористил за четвртиот став од познатата 9-та симфонија, која денес е позната како:

12. Руски (Втор странски јазик) - Општо образование

Прашање

Борщ, ши это национальные..... блюда.

Снег тает в какое время года?

Какое транспортное средство мы пользуем по городу?

Что необходимо для лыжников?

Какое слово обозначает средство воздушного транспорта?

Какого цвета солнце?

Фрукты и овощи можно купить ...

В океанах зимой вода ...

Обычно мы завтракаем....

Какие овощи любишь?

Какие фрукты любишь?

Дом который состоится из трех комнат называется:

12. Руски (Втор странски јазик) - Општо образование

Прашање

Из Грeции приехала Теодора в Македонию. Она по национальности.....

В музее я стою и смотрю на...

Я хочу узнать об авторе этой книги, поэтому читаю его...

Весь день падает снег. Очень холодно. Это какое время?

Закончились каникулы, начинается.....

На большой встретились Зоя и Ира.

Длинная, прямая и широкая улица, называется...

Как называется сумка в которой носим книги, тетради?

В гостиницах и ресторанах, гостей обслуживает...

В кондитерской мы обычно едим.....

Во время обеда мы все собираемся...

Где ты можешь купить одежду?

На бассейн проводятся соревнования. Какие это соревнования?

Мы все очень любим праздники, потому что.....

12. Руски (Втор странски јазик) - Општо образование

Прашање

Что нужно сделать прежде чем отправиться в дорогу?

Где можно пообедать в поезде?

Отец и мать мне являются ...

Моё любимое блюдо...

День сегодня очень.....

Мы поехали в Охрид на.....

Обычно мы после обеда отдыхаем.....

Чем накрывается стол перед обедом?

В предложении: Алексей купил маме цветы, подчеркнутые слова обозначают:

Подчёркнутое слово в предложении: *Сегодня отправляемся в школу* является:

12. Руски (Втор странски јазик) - Општо образование

Прашање

Какой глагол находится в прошедшем времени?

У.....есть брат и сестра.

Как правильно пишется порядковое числительное 3?

Определите какой глагол находится в неопределенной форме (в инфинитиве).

Кольцо сделано из...

Как правильно пишется порядковое числительное 4?

Определите какой глагол находится в прошедшем времени.

Это фотография...

12. Руски (Втор странски јазик) - Општо образование

Прашање

Мы сегодня пойдём в ...

Большие поздравления твоему

Мы с сестрой ... в село.

Отец и мать работают вместе на

Эта кофта его....

Ниночка прекрасно.... на гитаре.

У Саши очень много....

В библиотеке всегда беру одну книгу, а утром... две.

Сегодня я написала письмо ...

Наталия прекрасно на спектакле.

У Ирины очень мало ...

Я учусь в первом классе ...

Каждый вечер он слушает по телевизору.

12. Руски (Втор странски јазик) - Општо образование

Прашање

Это книги моего.....

Наша школа находится в

Студенты слушали изложение их....

Уроки закончились. Димитрий на метро.

Ваня _____, потому что борщ готовится из капусты.

Передай большой привет.....

Мы поедem на метро

Эти сапоги твоего.....

Сейчас стенные часы . . . восемь часов.

Когда мы приехали на станцию, поезд уже...

Я знаю, что вы теплой водой.

Как надо поздравлять друга?

Когда знакомишься, как ты говоришь?

12. Руски (Втор странски јазик) - Општо образование

Прашање

Ты опаздываеш. Как ты должен извиниться?

Ты хочешь подстричься. Как ты обратишься твоему парикмахеру?

Кому ты обращаешься словом «Дорогой»?

На спектакле были несколько друзей. Им фильм очень понравился. На прощание они договорились о новой встречи. Как поздоровятся?

Первого сентября учительница входит в первый класс. Что она говорит?

Учительница представилась словами:

Лена ты знаешь мы живем рядом с вами? Вырази радость.

Как прощаются Филип и Юра?

Ваши друзья уезжают на поезде в другой город. При расставании, что ты им скажешь?

Семья Иванович построила свою дачу в деревне. Они пригласили гостей на поселение. Они поздравили их словами:

С классом поедете завтра на экскурсию. Тебя интересует погода. Как спросишь?

На тротуаре бабушка просит молодую девушку помочь ей перейти через пешеходную дорожку. Какое выражение надо употребить?

12. Руски (Втор странски јазик) - Општо образование

Прашање

Подруга купила Марији букет цветова. Она веселилась, очень обрадовалась и сказала:

Ответ отрицательно на вопрос. Ты поступил на работу?

Ты проводишь отпуск дома. Как ты положительно ответишь?

Таня и Лиза зашли в книжный магазин. Они решили купить несколько книг для детей. Как спросили продавца?

Таня купила красную шерстяную кофточку и легкую белую блузку. Сделай комплимент.

Попроси продавца показать тебе туфли.

Чаще всего приглашаем гостей войти...

Как прощаются Катя и Василий ?

Маша и Алеша пошли в ресторан обедать. К ним подходит официант. Алеша попросил у него....

Хочу узнать адрес гостиницы. Для этого нужен...

Привет, Даша! Сколько лет, сколько зим. Это выражение означает...

12. Руски (Втор странски јазик) - Општо образование

Прашање

Кто-то позвонил тебе по телефону по ошибке. Что ты скажешь?

Тебе нужно позвонить по телефону Саше. Трубку взял его отец. Как ты скажешь?

Ты хочешь пить? Вырази желание выпить.

Иван и его жена Маша сидят на балконе и отдыхают. Они не слышат что кто-то звонит у двери. Их сын Ваня открывает дверь. У двери стоит почтальон с телеграммой. Телеграмма от сестры Ивана. Она сообщает что приезжают на три дня. Где отдыхают Иван и его жена Маша?

Виктор родился в пастушеской семье. Виктор очень рано остался без родителей. Он ...

Из Петербурга от сына, Лидия Ивановна получила письмо, в котором он жалуется что там очень холодно и часто падает снег. Какая погода в Санкт Петербурге?

Имя отца Михаил, а дочь Ольга. Ее имя отчество будет.....

В семь часов Ирина и Иван пришли к Оле. Дверь им открыла мама Оли. Ребята разделись и прошли в гостиную. Оля угостила их пирожными, конфетами, соками и чаем. К кому пришли Ирина и Иван?

12. Руски (Втор странски јазик) - Општо образование

Прашање

В семь часов Ирина и Иван пришли к Оле. Дверь им открыла мама Оли. Ребята разделись и прошли в гостиную. Оля угостила их пирожными, конфетами, соками и чаем. Кто им открыл дверь?

У Ирины сегодня первый урок - контрольная по математике. На каком уроке у нее контрольная?

В Универсальном магазине маленькая девушка потерялась. Она обратилась к охраннику службы безопасности помочь ей найти выход. К кому обратилась девочка?

В Универсальном магазине маленькая девушка потерялась. Она обратилась к охраннику службы безопасности помочь ей найти выход. Что она хотела найти?

Работа манекенщицы не легкая. Чтобы стать успешной нужно быть не только красивой и стройной, но необходимо и знание иностранных языков. Чтобы стать успешной манекенщицей нужно...

Как понимаешь пословицу „В закрытый рот не влетают мухи“?

В дворе Михаила много деревьев и цветов. Вся наша семья заботится и ухаживает за ними. Поливаем их каждое утро. Кто ухаживает за цветами?

В комнате Алёши есть кровать, письменный стол. На столе лежат книги, тетради и карандаши. Что есть на столе?

12. Руски (Втор странски јазик) - Општо образование

Прашање

Маша должна сходити в продуктовој магазин за покупки. Она взяла у отца деньги. Они ей нужны чтобы...

Снежана често смотрела по телевизору репортажи о работе русских врачей. С тех пор она мечтает быть врачом и помогать людям. Потом она закончила медицинскую школу и стала врачом. Она выбрала свою профессию. В чем помогло Снежане телевидение?

Павел говорит своей подруге, что у него сюрприз. Он успел достать билеты на сегодня в театр. Какой сюрприз у Павла?

В семье сегодня праздник, потому что дочь первый раз идет в школу. Она приготовила свой портфель книгу, тетрадь, ручку и карандаши. Все веселые, только маленький брат грустный. Он не идет в школу и у него нет еще портфеля, тетради и ручки. Почему в семье праздник?

В семье сегодня праздник, потому что дочь первый раз идет в школу. Она приготовила свой портфель, книгу, тетрадь, ручку и карандаш. Все веселые, только маленький брат грустный, потому что он не идет в школу. Почему брат грустный?

В русской деревне на свадьбу есть обычай летом ехать в повозке, зимой на санки, запреженных тройкой лошадей. На чем везут невесту летом?

С того времени как мы закончили девятилетку, много воды утекло. Какое значение имеет это выражение?

12. Руски (Втор странски јазик) - Општо образование

Прашање

На доске класса кроме мела, губки, висит и географическая карта.Что висит на доске?

Наступила зима. Стало холодно. Иван пошел в магазин и купил шубу, шаль и перчатки. Они нужны чтобы ему было теплее. Что купил Иван?

Родители мои, сестра и я решили провести на море отдых. Там мы купались, загорали. Где решили провести лето?

Миша в прошлом году посадил много деревьев и цветов. Он каждый день поливал цветы холодной водой.Чем поливал Миша цветы?

Это было в августе. Друзья решили в субботу пойти в поход. Они больше всего любят подниматься в горы и купаться. Что они любят больше всего?

Стефан должен поехать в Белград по делам. Он уже купил билеты на поезд, на завтра в девять часов вечера. Куда Стефан должен ехать?

Как основоположник науки о русском языке Ломоносов написал первую русскую грамматику. Также Ломоносов создал первый университет вернее, сам был первым университетом России.Что написал Ломоносов?

Как основоположник науки о русском языке Ломоносов написал первую русскую грамматику. Также Ломоносов создал первый университет вернее, сам был первым университетом России.Что создал Ломоносов?

Мальчики и девушки катаются на ...

В океанах зимой вода ...

12. Руски (Втор странски јазик) - Општо образование

Прашање

Моему сыну 2 ...

Иван и его жена Маша сидят на балконе и отдыхают. Они не слышат что кто-то звонит у двери. Их сын Ваня открывает дверь. У двери стоит почтальон с телеграммой. Телеграмма от сестры Ивана. Она сообщает что приезжают на три дня. Кто звонил у двери?

Ниночка Петровна приехала из Москвы в Македонию. Она студент на филологическом факультете. Она сейчас изучает македонский язык. Что изучает сейчас Ниночка?

Иван и его жена Маша сидят на балконе и отдыхают. Они не слышат что кто-то звонит у двери. Их сын Ваня открывает дверь. У двери стоит почтальон с телеграммой. Телеграмма от сестры Ивана. Она сообщает что приезжают на три дня. У двери стоит с телеграммой...

Обычно в нашей семье все вместе ужинает. Когда семья ужинает?

Когда идёт сильный дождь, мы с собой берём....

Из Санкт Петербурга приехала Мария в Киев. Она по национальности.....

Город Хьюстон находится в

12. Руски (Втор странски јазик) - Општо образование

Прашање

Обычно мы обедаем....

После лета наступаает....

Какие фрукты любишь?

Рафаел приехал в Санкт Петербург из Лиссабона. Он по национальности.....

Что висит на доске?

Каждое утро нужно заниматься....

Уличное движение регулирует....

Все ученики любят летние каникулы. Почему они любят каникулы? Потому что тогда могут ...

12. Руски (Втор странски јазик) - Општо образование

Прашање

Сегодня мы пойдём в универсальный.....

Передайте привет.....

В первом классе гимназии, некоторые ученики изучают русский язык. Иван четыре раза переписывал одно и то же слово. Какая форма слова правильна?

Я в деревне.

Галина работает в....

Это перчатки его....

Моей сестре 2.....

Мария очень хорошо....

У него мало....

12. Руски (Втор странски јазик) - Општо образование

Прашање

Я всегда ем по одной булочке, а сегодня.....две.

Каждое утро он читает.....

Она говорит хорошо по французски, но ещё не....

Это шуба моего.....

Наша квартира находится на

Онисмотреть фильмы.

После занятий мына метро.

Передайте привет.....

Вы пойдёте в...

Это ботинки моего.....

12. Руски (Втор странски јазик) - Општо образование

Прашање

Друзья были в кино. Фильм очень понравился. Они договариваются о новой встрече.

Галя и Коля попрощались. Как выразили это?

В книжном магазине Миша выбрал книгу и хочет купить её. Он достаёт кошелёк, но денег не было. Он их потерял. Что он скажет продавцу?

На поселение в новую квартиру семья Петровых пригласила гостей. Они поздравили их словами:

На свой 14-тый День рождения, Мария получила поздравительную открытку с данным содержанием:

На тротуаре старица просит парня помочь ей перейти улицу. Какое выражение надо употребить?

Алексей купил маме цветы. Она очень обрадовалась и сказала:

В большом торговом центре потерялась девушка. Она обратилась к охраннику службы безопасности помочь ей:

12. Руски (Втор странски јазик) - Општо образование

Прашање

Представь нам свою подругу.

У Коли болит горло и он решил пойти к врачу. Что ему сказал врач?

Ответ отрицательна на вопрос. Ты купил новую дачу?

Как спросишь когда хочешь узнать адрес твоего друга?

Каждый из нас, гостей приглашает словами.

Представь нам свою новую подругу.

При знакомстве, какое выражение надо употребить?

Попроси друга помочь тебе решить задачу!

Перед едой желаем людям.....

Как правильно поблагодарить?

12. Руски (Втор странски јазик) - Општо образование

Прашање

Вежливо пригласи своих друзей на ужин.

Как пригласишь друзей на день рождения?

Каждое лето летние каникулы ты проводишь на Черном море. Где ты проводишь летние каникулы?

Прочитай и ответь на вопросы.
Девушке понравилась туфли, но её размера нет в магазине. 36-ой номер ей не подходят. Она не купила эти туфли.
Почему она не купила туфли?

Где она покупала туфли?

Чаепитие в России было одним из приятных занятий, которое сближало людей, собирало к столу всю семью. Когда семья собиралась вместе?

В больших городах единственное место, где пешеходам разрешено переходить улицу это пешеходные дорожки. Я не знал, что в больших городах пешеходам предоставлена возможность безопасно перейти улицу и через.....

В русской деревне есть обычай на свадьбу летом ехать в повозке, зимой на санки, запряжённых тройкой лошадей. На чём везут невесту зимой?

12. Руски (Втор странски јазик) - Општо образование

Прашање

Наша семья сделала подписку на еженедельник „Давай“. Как часто получаем его?

С тех пор как мы закончили школу, много времени утекло. Что значит это выражение?

Я решил пойти в кино, но моя сестра не хочет пойти со мной. Она должна готовить уроки. Лучше я тоже сяду за уроки. Что значит выражение „Сяду за уроки“?

Какое значение имеет пословица: ЗНАНИЕ-СВЕТ, А НЕ ЗНАНИЕ-ТЬМА. Знание помогает нам....

Олаф Свенсон студент. Он занимается изучением языка. Он приехал в Москву из Швеции. Что изучает Олаф?

Отгадай загадку: Каждый вечер так легко, она даёт молоко. Говорит два слова, как зовут её?

В нашем доме много цветов. Мы ухаживаем за ними. Поливаем их каждое утро. Какой водой поливаем цветы?

Все праздники я люблю потому что....

12. Руски (Втор странски јазик) - Општо образование

Прашање

Пассаџир приехал в гостиницу один и поэтому ему дали....

Воскресенье это день отдыха. Все мы отдыхали. Кирил был на спектакль. Сегодня отправляемся в школу. Какой день сегодня?

В субботу я зашёл в магазин. Купил зимнюю шапку, шубу и перчатки. Они нужны мне...

Ваша семья лето проводит на Охридском озере. Там вы купаетесь, загораете. Где вы проводите лето?

В этом году посадили много деревьев. Чем поливают дерево после посадки?

13. Руски (Прв странски јазик) - Општо образование

Прашање

После зимы наступает...

Какое транспортное средство мы пользуем в городе?

Что необходимо для лыжников?

13. Руски (Прв странски јазик) - Општо образование

Прашање

Какое слово обозначает транспортное средство для путешествия по воде?

Какого цвета трава?

Шампанское – это белое, сладкое ...

Сочные плоды дерева и растений называются ...

Каждое утро надо...

Мария прилетела самолетом в Москву из Македонии. Она по национальности...

Все мы любим праздники, потому что...

На четвёртый этаж я поднимаюсь...

В каком магазине можно купить готовую одежду?

Мальчики и девушки катаются на ...

В океанах зимой вода ...

Каждое утро нужно ...

13. Руски (Прв странски јазик) - Општо образование

Прашање

Какое слово обозначает день в неделе?

У нас в Македонији какову валюту употребујем?

Наша семья обычно ужинает...

На улице плохая погода и идёт сильный дождь. Поэтому необходимо с собой иметь...

Матрёшка – это типичный русский

**Какие ово
щы
л
ю
биш
ь
?**

Моя мама учит детей, она...

Миша хорошо играет на гитаре. Он занимается...

На аэропорте я жду...

Опишите вашу квартиру.

13. Руски (Прв странски јазик) - Општо образование

Прашање

В бассейне проводятся соревнования по...

В мастерской ремонтируют...

Из фруктов я люблю...

Столица Македонии называется...

Билеты в автобусе проверяет...

Уличное движение регулирует ...

Пешеходная дорожка служит для ...

Олег входит в свою ...

Новогоднее дерево это ...

Из фруктов люблю...

Мне нужен новый ...

На большой встретились Зоя и Ира.

Длинная, прямая и широкая улица, называется...

Как называется сумка в которой носим книги, тетради?

13. Руски (Прв странски јазик) - Општо образование

Прашање

В гостиницах и ресторанах, гостей обслуживает...

В текстильной фабрике работает.....

Отец и мать мне являются ...

Моё любимое блюдо...

День сегодня очень.....

Мы поехали в Охрид на.....

Обычно мы после обеда отдыхаем.....

Мальчик написал открытку и пошёл на почту....

Мама и папа любят сладкий кофе. Что они кладут в кофе?

Их любимое блюдо....

Лев Николаевич Толстой всемирно известный...

Саша любит есть солёные....

13. Руски (Прв странски јазик) - Општо образование

Прашање

Игорь закончил юридический факультет. Кем он будет?

Стало холодно, мы одеваем ...

День уменьшается, деревья желтеют, листья падают. Какое это время?

Обычно мы все питаемся разными ...

Чем накрывается стол перед обедом?

Что находится в любом саду городов и посёлков?

В предложении: Алексей купил маме цветы, подчеркнутое слово обозначает:

В предложении: Алексей купил маме цветы, подчеркнутые слова обозначают:

Подчёркнутое слово в предложении: Сегодня отправляемся в школу, обозначает:

13. Руски (Прв странски јазик) - Општо образование

Прашање

Какой глагол находится в прошедшем времени?

У.....есть брат и сестра.

Как правильно пишется порядковое числительное 3?

Определите какой глагол находится в неопределенной форме (в инфинитиве)

Мы сегодня пойдём в ...

Большие поздравления твоему

Мы с сестрой ... в село.

Отец и мать работают вместе на

Эта кофта его....

Подчёркнуто слово в предложении: Сегодня отправляемся в школу, обозначает:

Подчёркнутое слово в предложении: Наташа выучила урок, обозначает:

Определите какой глагол находится в неопределенной форме (в инфинитиве)

13. Руски (Прв странски јазик) - Општо образование

Прашање

Как правильно пишется порядковое числительное 4?

Определите какой глагол находится в прошедшем времени.

Определите какой глагол находится в неопределенной форме (в инфинитиве)

Моему сыну 2 ...

Ниночка очень прекрасно.... на гитаре.

У Саши очень много....

В библиотеке всегда беру одну книгу, а утром... две.

Каждый вечер он слушает по телевизору.

Это книги моего.....

Наша школа находится в

Студенты слушали изложение их....

13. Руски (Прв странски јазик) - Општо образование

Прашање

Ваня, потому что борщ готовится из капусты.

У Ивана много...

По вечерам он ест по две булочки, а сегодня...три.

Иван Петрович ... 1942 года.

У есть дедушка и бабушка.

У Ирины очень мало ...

Вся наша семья ... в Волгоград к бабушке.

Сегодня я написала письмо ...

Наталия прекрасно на спектакле.

Девушке лет.

У Ирины очень мало ...

Я учусь в первом классе ...

13. Руски (Прв странски јазик) - Општо образование

Прашање

Сегодня у нас не было...

Это шуба моей...

Наша квартира находится на ...

Сейчас настенные часы . . . восемь часов.

Алла в субботу вечером приехала в гостиницу одна и поэтому ей дали...

В выходные дни мы ходим...

Ещё в ранней молодости Кирил ... архитектором.

Он любит ... русскую балалайку.

В озере плавают.....

Это карандаш ...

Вере исполнилось...

Задай вопрос к предложению. Алёша не был вчера на спектакле.

13. Руски (Прв странски јазик) - Општо образование

Прашање

Передай большой привет

Сегодня мы всем классом пойдём на ...

Наша школа в городе.

Нам преподают учительницы

Почтальон стоит у ...

Будильник звонит. Мира ...

Я знаю, что вы тёплой водой.

Когда прощаемся с друзьями говорим:

Обычно что мы говорим когда приглашаем гостей?

Как представишь свою новую учительницу?

13. Руски (Прв странски јазик) - Општо образование

Прашање

При новом знакомстве что говорим?

Мы с соседями каждый день приветствуем друг друга...

Лев хочет познакомить его друга с родителями. Как выразит это?

Ты опаздываешь. Как ты должен извиниться?

Расставаясь, друзья договариваются о скорой встрече.

С классом поедете завтра на экскурсию. Тебя интересует погода. Как спросишь?

На тротуаре бабушка просит молодую девушку помочь ей перейти через пешеходную дорожку. Какое выражение надо употребить?

Первого сентября учительница входит в первый класс. Что она говорит?

Учительница представилась словами:

Лена ты знаешь мы живём рядом с вами? Вырази радость.

Как прощаются Филип и Юра?

Хочешь узнать который час. Тебе надо обратиться к незнакомому с вопросом:

13. Руски (Прв странски јазик) - Општо образование

Прашање

Как и всегда в больших городах много народу в автобусах, а вы должны выйти на следующей остановки. Как вы скажете?

Весну заболело горло. Она решила пойти в поликлинику. Врач заметил, что Весна курит. Он советует:

Виктор не понял дефиницию. Он вежливо попросил учительницу объяснить ему.

Перед каждой едой положено сказать:

Маша и Алёша пошли в ресторан обедать. К ним подходит официант. Алёша попросил у него....

Хочу узнать адрес гостиницы. Для этого нужен...

Ваши друзья уезжают на поезде в другой город. При расставании, что ты им скажешь?

Семья Иванович построила свою дачу в деревне. Они пригласили гостей на поселение. Они поздравили их словами:

Тебе надо позвать к телефону твоего отца. Как ты попросишь?

К телефону просят Нину Петровну. Как ты скажешь, что её нет дома?

13. Руски (Прв странски јазик) - Општо образование

Прашање

Таня и Лиза зашле в книжний магазин. Они решили купити несколько книг для детей. Как спросили продавца?

Таня купила красную шерстяную кофточку и лёгкую белую блузку. Сделай комплимент.

Попроси продавца показать тебе туфли.

Чаще всего приглашаем гостей войти...

Подруга купила тебе серги. Как поблагодаришь?

Сделай приглашение другу на обед. Как выразишь это?

Сегодня твой день рождения. Пригласи друзей.

Осталось ещё три дня до наступления Нового года. Тогда все люди поздравляются между собой. Как ты выразишь это?

Ты решил пойти к парикмахеру. Как ты скажешь ему?

Пётр купил розы и подарил Катерине. Она очень удивилась и поблагодарила его словами:

Ответ отрицательно на вопрос: Ты закончил домашнее задание по математике?

13. Руски (Прв странски јазик) - Општо образование

Прашање

Привет, Даша! Сколько лет, сколько зим. Это выражение означает...

Кто-то позвонил тебе по телефону по ошибке. Что ты скажешь?

Тебе нужно позвонить по телефону Саше. Трубку взял его отец. Как ты скажешь?

Ты хочешь пить? Вырази желание выпить.

В булочной обращаешься к продавцу.

Входишь в кондитерской и обращаешься к продавцу...

Вы изучаете русский язык в вашей школе? Ответь положительно.

Вам надо дойти до метро. Вежливо спроси незнакомого.

Как ты пригласишь директора школы на вечер, который организуют ученики вашей школы

Маша вошла в кондитерскую купить булочки. Как сказала продавцу?

Дуня выходит замуж? Ответь положительно.

Мира прощается с мамой. Как выразишь?

13. Руски (Прв странски јазик) - Општо образование

Прашање

Маленький Алексей первый раз почистил зубы и поэтому он не хотел есть, чтобы не пачкать зубы. Что почистил Алексей?

Иван Петрович едет поездом в Загреб. С ним едет и его сестра Вера . Кто ещё едет с Иваном?

Иван и его жена Маша сидят на балконе и отдыхают. Они не слышат что кто-то звонит у двери. Их сын Ваня открывает дверь. У двери стоит почтальон с телеграммой. Телеграмма от сестры Ивана. Она сообщает что приезжают на три дня.

Где отдыхают Иван и его жена Маша?

Иван и его жена Маша сидят на балконе и отдыхают. Они не слышат что кто-то звонит у двери. Их сын Ваня открывает дверь. У двери стоит почтальон с телеграммой. Телеграмма от сестры Ивана. Она сообщает что приезжают на три дня.

У двери стоит с телеграммой...

Маша выбрала себе ботинки, но 38-ого размера не было в обувном магазине. Есть только 37-ой. Она не купила ботинки.

Почему она не купила ботинки?

Маша выбрала себе ботинки, но 38-ого размера не было в обувном магазине. Есть только 37-ой. Она не купила ботинки.

Где Маша покупала себе ботинки?

13. Руски (Прв странски јазик) - Општо образование

Прашање

Перья на хвосте у сороки не просто чёрные, а зеленоватые. Какие перья у сороки?

Все мы радо едем загород, в деревню, где наша дача. Из нашего окно хороший вид на реку. Что всем нам нравится в деревне?

Григорий поехал на аэропорт купить билеты на самолёт. Что купил он?

Ирина разговаривает по телефону с подругой. С кем Ирина разговаривает?

Идёт урок. Преподаватель читает задание. Студенты выполняют задание. Они пишут, читают, переводят. Что делает преподаватель?

Кожа должна быть чистой. Всё тело надо мыть мылом и мочалкой раз в неделю. Лицо, уши, шею надо мыть два раза в день. Руки надо мыть с мылом несколько раз в день. Почему мы должны мыться?

В Универсальном магазине маленькая девушка потерялась. Она обратилась к охраннику службы безопасности помочь ей найти выход.
Кому обратилась девочка?

В Универсальном магазине маленькая девушка потерялась. Она обратилась к охраннику службы безопасности помочь ей найти выход.
Что она хотела найти?

13. Руски (Прв странски јазик) - Општо образование

Прашање

Весной в деревне много работы. Школьники берут лопаты и лейки и идут на огород. Там они работают дружно.
Когда в деревне много работы?

Весной в деревне много работы. Школьники берут лопаты и лейки и идут на огород. Там они работают дружно.
Как они работают?

В семь часов Ирина и Иван пришли к Оле. Дверь им открыла мама Оли. Ребята разделись и прошли в гостиную. Оля угостила их пирожными, конфетами, соками и чаем.
К кому пришли Ирина и Иван?

В семь часов Ирина и Иван пришли к Оле. Дверь им открыла мама Оли. Ребята разделись и прошли в гостиную. Оля угостила их пирожными, конфетами, соками и чаем.
Кто им открыл дверь?

В семь часов Ирина и Иван пришли к Оле. Дверь им открыла мама Олги. Ребята разделись и прошли в гостиную. Оля угостила их пирожными, конфетами, соками и чаем.
Чем угостила Оля своих друзей?

13. Руски (Прв странски јазик) - Општо образование

Прашање

Ребята задржались в школе, потому что заканчивали выпуск стенной газеты. Когда они вышли, уже смеркалось. Падал снег, между тем усиливался. Они забеспокоились, зная, как жестоки степные сибирские метели.

Почему ребята задржались в школе?

Ребята задржались в школе, потому что заканчивали выпуск стенной газеты. Когда они вышли, уже смеркалось. Падал снег, между тем усиливался. Они забеспокоились, зная, как жестоки степные сибирские метели.

Почему ребята забеспокоились?

Маша сегодня дежурная. Она взяла мел и написала на доске: „После уроков классное собрание. Повестка дня – Загородная прогулка.“ Что написала Зоя на доске?

Игор новый студент. В Англии приехал из России. Он программист. Игор занимается изучением языка. Слушает кассеты, переводит слова, говорит медленно. Что изучает Игор?

В нашем доме восемь этажей. Игор хочет жить на последнем этаже. На каком этаже хочет жить мальчик?

В выходные дни наша семья обедает в два часа. Когда в семье обед?

Жена входит в комнату. Она видит, что телевизор работает, а муж спит в кресле, она решила выключить телевизор. Что сделала жена?

13. Руски (Прв странски јазик) - Општо образование

Прашање

Мы с внуком и внучкой гуляли в парке. Когда детям надоело гулять, мы решили пойти в зоопарк. – Дед, могу ли погладить серну? - спросила внучка. – Конечно, - ответил дед.
С кем гуляли дети в парке?

Мы с внуком и внучкой гуляли в парке. Когда детям надоело гулять, мы решили пойти в зоопарк. – Дед, могу ли погладить серну, - спросила внучка. – Конечно, - ответил дед.

Кого дети увидели в зоопарке?

Мира каждое утро входит в ванную комнату. На одной полке лежат зубные щётки и зубная паста. Она чистит зубы щёткой и пастой.
Что лежит на полке?

Родители запрещают сыну играть с Виктором, потому что он не прилежный мальчик. Какой мальчик Виктор?

Снежана часто смотрела по телевизору репортажи о работе русских врачей. С тех пор она мечтает быть врачом и помогать людям. Потом она закончила медицинскую школу и стала врачом. Она выбрала свою профессию. В чем помогло Снежане телевидение?

Павел говорит своей подруге, что у него сюрприз. Он успел достать билеты на сегодня в театр. Какой сюрприз у Павла?

13. Руски (Прв странски јазик) - Општо образование

Прашање

Байкало-Амурская Магистраль (БАМ) – это новая магистраль, которую строит молодёжь и будет проходить через Тайгу к Тихому океану. Молодёжь строит и не пугают её ни мороз, ни ветры зимой, ни жара летом, ни борьба с дикой суровой природой, ни тяжёлый труд.
Кто строил БАМ?

Байкало-Амурская Магистраль (БАМ) – это новая магистраль, которую строит молодёжь и будет проходить через Тайгу к Тихому океану. Молодёжь строит и не пугают её ни мороз, ни ветры зимой, ни жара летом, ни борьба с дикой суровой природой, ни тяжёлый труд.
Какая это магистраль?

Байкало-Амурская Магистраль (БАМ) – это новая магистраль, которую строит молодёжь и будет проходить через Тайгу к Тихому океану. Молодёжь строит и не пугают её ни мороз, ни ветры зимой, ни жара летом, ни борьба с дикой суровой природой, ни тяжёлый труд.
Она будет проходить через ...

Байкало-Амурская Магистраль (БАМ) – это новая магистраль, которую строит молодёжь и будет проходить через Тайгу к Тихому океану. Молодёжь строит и не пугают её ни мороз, ни ветры зимой, ни жара летом, ни борьба с дикой суровой природой, ни тяжёлый труд.
Что не пугало молодёжь строить?

Как основоположник науки о русском языке Ломоносов написал первую русскую грамматику. Также Ломоносов создал первый университет вернее, сам был первым университетом России. Что написал Ломоносов?

13. Руски (Прв странски јазик) - Општо образование

Прашање

Как основоположник науки о русском языке Ломоносов написал первую русскую грамматику. Также Ломоносов создал первый университет вернее, сам был первым университетом России. Что создал Ломоносов?

В Восточной Македонии расположено самое маленькое из всех, Дойранское озеро. Одной из туристических редкостей этого края является рыболовство „с помощью птиц“. Какое озеро расположено в Восточной Македонии?

Сегодня Нина решила сходить в магазин за покупками. Она взяла у мамы деньги. Они нужны ей чтобы...

На середине стены нашего класса висит...

Анастасия-молодая, но очень известная балерина. Она танцует в Большом театре в Москве и в Мариинском театре в Санкт Петербурге. Поэтому она живёт в двух городах. В каком городе живёт Анастасия?

По телевидению не часто показывают хорошую оперу или балет, а концерты на которых исполняют оперные арии показывают реже. Как часто показывают арии по ТВ?

Петя начал собирать почтовые марки. Пока их в альбоме не больше десяти. Петя любовался ими. Что Петя делает с марками?

Аркадий купил билеты у кассы вокзала. Он долго стоял на перроне и ждал друга. Они должны были ехать вместе в Скопье. На чём собирался ехать Аркадии?

Подруги долго уговаривали Алёну, чтобы все вместе пошли на концерт. Она колебалась и на конец решила: "Не пойду!" У меня плохое предчувствие. Почему Алёна решила не пойти на концерт?

13. Руски (Прв странски јазик) - Општо образование

Прашање

В трикотажном платье любая женщина выглядит худее и стройнее. Что значит выражение –любая женщина?

Мария получила право участвовать на Международной олимпиаде школьников по русскому языку, которая проходила в Москве в июле. Она отправилась на поезде в Москву. Ехала двое-трое суток. Куда ехала Мария?

Мария получила право участвовать на Международной олимпиаде школьников по русскому языку, которая проходила в Москве в июле. Она отправилась на поезде в Москву. Ехала двое-трое суток. Почему она поехала в Москву?

Наступила зима. Стало холодно. Иван пошёл в магазин и купил шубу, шаль и перчатки. Они нужны чтобы ему было потеплее. Что купил Иван?

Родители мои, сестра и я решили провести отдых на море. Там мы купались, загорали. Где решили провести лето?

Миша в прошлом году посадил много деревьев и цветов. Он каждый день поливал цветы холодной водой. Что сделал Миша?

Миша в прошлом году посадил много деревьев и цветов. Он каждый день поливал цветы холодной водой. Чем поливал ?

13. Руски (Прв странски јазик) - Општо образование

Прашање

В семье сегодня праздник, потому что дочь первый раз идёт в школу. Она приготовила свой портфель, книгу, тетрадь, ручку и карандаши. Все весёлые, только маленький брат грустный. Он не идёт в школу и у него нет ещё портфеля, тетради и ручки.
Почему в семье праздник?

В семье сегодня праздник, потому что дочь первый раз идёт в школу. Она приготовила свой портфель, книгу, тетрадь, ручку и карандаши. Все весёлые, только маленький брат грустный, потому что он не идёт в школу .
Почему брат грустный?

Мои родители, не видели меня два года, а когда увидели очень обрадовались. Чему обрадовались его родители?

В Восточной Македонии расположено самое маленькое из всех, Дойранское озеро. Одной из туристических редкостей этого края является рыболовство „с помощью птиц“. Что является туристической редкостью этого края?

Природа создала для Македонии благоприятные географические условия для развития транспорта. Это речные долины, широкие котловины, суходные озёра. Какие условия создала природа?

Обычно в нашей семье все вместе ужинает. Когда семья ужинает?

После лета наступает...

Каждое утро нужно заниматься...

13. Руски (Прв странски јазик) - Општо образование

Прашање

Карол приехала в Москву из Лондона. Она по национальности...

Каждый из нас любит праздники, потому что...

На первый этаж поднимаюсь...

:Что можно купить в магазине готового платья?

Какое из данных слов обозначает день в неделе?

Какую валюту употребляют в России?

Когда мы приехали на аэровокзале мы сдали чемоданы в...

Обычно в нашей семье мы завтракаем...

Русский национальный напиток называется...

Андрей сын учителя. Чей сын Андрей?

Зоран родился в маленьком городе на юге Македонии. Где родился Зоран?

13. Руски (Прв странски јазик) - Општо образование

Прашање

В пятницу я приехал в гостиницу один и поэтому мне дали...

У Коли мало...

Утром он ест по одной булочке, но сегодня...две.

Алексей Николаевич... в 1932 году.

Вчера у нас не было...

Это пиджак моего...

Мы живём на...

Какой глагол находится в прошедшем времени?

В субботу или в воскресенье мы ходим...

Ещё в детстве он ... врачом.

Он слушает ...классическую музыку.

Высоко в небе летают...

13. Руски (Прв странски јазик) - Општо образование

Прашање

Это рубашка ...

Валентине исполнилось...

Задай вопрос к предложению. Мира не была вчера на концерте.

Передай большой привет ...

Мы сегодня пойдём в...

Наш класс большой и светлый. Какой это класс?

На прощание с подругой говорим:

Наших гостей приглашаем войти:

Представь своего нового коллегу.

Что мы говорим при новом знакомстве?

Иван не может решить задачу. Он попросил своего друга помочь ему:

13. Руски (Прв странски јазик) - Општо образование

Прашање

Перед едой положено пожелать людям:

Нужно поблагодарить за подарок. Как правильно поблагодарить?

Пригласи друга на обед.

Пригласи друзей на день рождения.

Подруги на прощание договариваются о новой встрече.

С наступлением Нового года, люди поздравляются между собой. Как ты выразишь это?

В цветном магазине покупаешь цветы и должен заплатить. Како должен спросить?

Андрей и Ана решили пригласить друзей на новую квартиру. Как это сказали?

Твоему другу сегодня день рождения. Что пожелаешь ему?

Познакомь подругу со своей мамой.

Виктор подарил Маше розы. Она обрадовалась и поблагодарила его словами:

13. Руски (Прв странски јазик) - Општо образование

Прашање

В трамвае много народу, а мы должны выйти на следующей остановки. Как мы скажем?

Володя пришёл к врачу. Врач его советует:

Мы с соседями каждое утро приветствуем друг друга...

Представь своего друга родителям. Как выразишь это?

Ответь отрицательно на вопрос: Ты прочитал эту книгу?

Прочитай тексты и ответь на вопросы. Валентине туфли понравились, но 37-ого размера не было в магазине. Есть только 36-ой. Она не купила туфли
Она не купила туфли, потому что...

Прочитай тексты и ответь на вопросы.
Валентине туфли понравились, но 37-ого размера не было в магазине. Есть только 36-ой. Она не купила туфли.
Где Валентина покупала себе туфли?

13. Руски (Прв странски јазик) - Општо образование

Прашање

Мне нужно было сходить в магазин за покупками. Я взяла у отца деньги. Они нужны мне чтобы...

Санкт-Петербург лежит на берегах реки Невы. Он самый красивый город в мире. Санкт-Петербург второй по величине город в...

Санкт-Петербург ещё называют...

На стене нашего класса висит...

Рафаел Гонзалес новый студент. В Москву приехал из Испании. Он программист. Рафаел занимается изучением языка. Слушает кассеты, переводит слова, говорит медленно.
Что изучает Рафаел?

В прошлом году у нас проходила акция посадки дерева. Чем поливают дерево после посадки?

Мы охотно едем в деревню, потому что из нашего окна хороший вид на реку. Что нравится нам в деревне?

В нашем доме десять этажей. Я хочу жить на последнем этаже. На каком этаже хочет жить мальчик?

13. Руски (Прв странски јазик) - Општо образование

Прашање

Целое утро Ваня и Миша работали в саду. Ваня и Миша сильно устали. Почему устали Ваня и Миша?

Каждый из нас разнообразно питается. Для жизни нужны разные питательные вещества, которые находятся в разных продуктах. Как мы все должны питаться?

Охотник сидит на пне. Возле него сидит собака Пушок. У Пушка хорошее настроение. У кого хорошее настроение?

Все мы должны быть чистыми. Надо купаться два три раза в неделю. Руки мыть мылом несколько раз в день. Почему мы должны мыться?

Большие расстояния от места работы до дома не позволяют людям ездить домой в обеденный перерыв. Обычно студенты, служащие и рабочие обедают в кафе, столовых, ресторанах и барах. Почему люди не обедают дома?

Мама входит в комнату детей. Она видит, что телевизор работает, а дети спят. Что сделала мама?

Алексей первый раз почистил зубы и поэтому он не хотел есть, чтобы не пачкать зуы. Почему Алексей не ел?

Горан Петров едет поездом в Белград. С ним едет и его семья. Кто ещё едет с ним?

13. Руски (Прв странски јазик) - Општо образование

Прашање

Иван поехал на вокзал купить билеты на поезд. Что купил он?

Елена разговаривает по телефону с Олей. С кем Елена разговаривает?

Маша пошла в ванную комнату. На одной полке лежат зубные щётки и зубная паста. Она чистит зубы щёткой и пастой. Чем она чистит зубы?

Обычно семья Благоевых плотно завтракают: они едят бутерброды с маслом и сыром, яйца всмятку или вкрутую, ветчину. Как завтракает семья?

Пётр и его друг, всегда идут пешком до метро. Как часто они идут пешком?

Мама запрещает сыну играть с Сашей, потому что он плохой мальчик. Какой мальчик Саша?

Когда мы обращаемся словом "Дорогой" кому обращаемся?

Идёт урок. Преподаватель читает задание. Студенты выполнят задание. Они пишут, читают, переводят. Что делают студенты?

В среду вечером Пётр и Бранко пошли на футбольный матч в Лужниках. Сейчас это самый большой стадион в Москве. Раньше самым большим стадионом, был "Динамо". Какой сейчас стадион самый большой?

14. Физика - Општо образование

Прашање

Волуменот

70

d

m

3

претворен во

m

3

изнесува:

Основни поими што се користат во физиката се:

Основни физички величини, чии мерни единици во SI се kg ,K , m , s се:

Мерењата на физичките величини можат да бидат:

14. Физика - Општо образование

Прашање

Векторските величини се определени со:

Кинематички величини се:

Спротивни вектори се два вектори:

Телото се движи рамнометното праволиниски кога:

Во зависност од формата на траекторијата движењата се делат на:

14. Физика - Општо образование

Прашање

Ако телото се движи по прволиниска траекторија со константна брзина, тогаш движењето е:

Графикот на зависноста на времето во однос на патот, кај рамномерно праволиниското движење, преставува:

Движењето на автобусот од една станица до друга станица е:

По автопат еден камион се движи со постојана брзина од 72 km/h. Неговата брзина во m/s ќе изнесува:

14. Физика - Општо образование

Прашање

Векторот на забрзувањето при слободното паѓање, секогаш е насочен:

Локомотивата се движи, рамномерно забрзано. нејзината положба за дадено време се определува со формула:

Милош тргнал од Скопје до Велес и се движел со брзина од 100 km/h. Колкав пат поминал за 30 min.?

Ако тело се движи рамномерно праволиниски во иста насока, тогаш:

14. Физика - Општо образование

Прашање

Автомобил стартува од место и движејќи се рамномерно забрзано праволиниски со забрзување

1
m
/
s
2

изминува пат

100
m

·
Колку време се движи?

Два автомобили се движат по автопат во иста насока, првиот со $v_1 = 72 \text{ km/h}$ а вториот со брзина $v_2 = 108 \text{ km/h}$. Растојанието во моментот на движењето изнесува **100 m. За кое време и место тие ќе се сретнат.**

14. Физика - Општо образование

Прашање

Велосипедист првата половина ја поминува со брзина од $v_1 = 40$ km/h, а втората половина, ја поминува со брзина од $v_2 = 80$ km/h. Колку изнесува средната брзина, ако целиот пат изнесува 40 km.

Автомобилот и велосипедистот се движат во иста насока. Брзината на велосипедистот е 10 m/s, а на автомобилот е 20 m/s. Растојанието во почетниот момент изнесувало 200 m, земајќи го за референтен почеток местото на автомобилот. Со која равенка е пресметено местото и времето на нивното сретнување

Висината кога телото слободно паѓа може да се пресмета со формула:

14. Физика - Општо образование

Прашање

Мерка за инертност на телата е:

Првиот Њутнов закон гласи:

Физичката величина што го карактеризира дејството на едно тело врз друго, се вика:

Направата за мерење на силата се вика:

Импулсот на телото е производ од:

14. Физика - Општо образование

Прашање

Силата со која Земјата ги привлекува телата се вика:

Односот од масата на телото и неговиот волумен претставува:

На пружина ако закачиме тело тогаш натанува промена:

Вториот Њутнов закон ја дава врската помеѓу:

Гравитационата сила помеѓу било кои две тела е:

14. Физика - Општо образование

Прашање

Од што зависи Гравитационата сила помеѓу две тела со маси

m

m_1

и

m

m_2

поставени на меѓусебно растојание

R

:

Масата на некое тело поставено на подлога е

500

kg

.

Неговата тежина изнесува:

Гравитационото забрзување во полето на Земјата:

14. Физика - Општо образование

Прашање

Силата која што на телото со маса

2000

g

му соопштува забрзување

2

m

/

s

²

изнесува:

Од што зависи силата на триење помеѓу телото и подлогата:

Едно момче стои над количка и со јаже влече друга количка со постојана сила тогаш:

Мерната единица за сила е дадена со изразот:

14. Физика - Општо образование

Прашање

Тело со маса

1000

g

се движи со брзина

5

m

/

s

.

Импулсот на телото изнесува:

Кои фактори дејствуваат за да може телото да се движи:

Со која формула се пресметува потенцијалната енергија на телата?

Законот за запазување на механичката енергија се изразува со формулата:

Кое тело поседува кинетичка енергија?

Каква енергија има птица која лета високо над земјата?

14. Физика - Општо образование

Прашање

Што претставува работа?

Која сила врши работа при слободното паѓање на телата?

Колку изнесува потенцијалната енергија на тело со маса 1kg подигнато на висина од 1 метар над земјата?

Анализирај во кој од следниве случаи извршената работа е еднаква на нула.

Што е рамномерна ротација?

Што претставува аголно забрзување?

Што е момент на сила?

Со која формула е зададен моментот на инерција на прстен?

14. Физика - Општо образование

Прашање

Што преставува момент на импулс?

Која равенка одговара на моќноста кај ротационото движење?

Едно тркало ја започнува својата ротација со постојано аголно забрзување $\beta = 3,14 \text{ rad/s}^2$. Колку ќе трае првиот вртеж?

Замаецот кој поаѓа од мирување добива фреквенција од 240 завртувања во минута за време од 10 секунди. Најди го неговото забрзување.

Колку изнесува аголната брзина на ротација на земјата?

Кога моментот на силата се смета за позитивен?

Ако дете се врти на столче од пијано со вкрстени раце на градите, што се случува кога ќе ги рашири рацете ?

14. Физика - Општо образование

Прашање

Кој е најситниот дел на еден хемиски елемент?

Како се вика процес на мешање на две или повеќе супстанции со различна густина?

Од што зависи притисокот на гасот?

Во која единица се мери моларната маса?

Со кои уреди се мери температурата?

Што е термодинамичка рамнотежа?

Што преставува еден мол?

Со која формула е зададена врска меѓу целзиусовите и Келвиновите степени?

14. Физика - Општо образование

Прашање

Како гласи Клапејроновата равенка?

Изотерма е крива линија која ја дава зависноста на притисокот од волуменот:

Што преставува изобара?

При изотермен процес, ако притисокот расте, волуменот:

При изобарен процес, со зголемување на температурата се зголемува:

До која температура треба да се загрее колба со воздух што е на температура $t_1 = 20^\circ\text{C}$, за густината на воздухот да се намали за половина, ако колбата е отворена, а нејзиниот волумен непроменет?

14. Физика - Општо образование

Прашање

Некое количество на воздух на 24°C има волумен 1000cm^3 . Каков волумен би имало исто количество воздух при ист притисок и температура од 0°C ?

Температурата на воздухот е прочитана на живин термометар и изнесува 28°C . Изрази ја температурата во Келвини.

Што е изолиран систем?

Што е термодинамички процес?

Што се неповратни процеси?

Како гласи првиот принцип на термодинамика?

Што е адијабатски процес?

Што преставува ентропија?

Дали се врши работа при изохорен процес?

14. Физика - Општо образование

Прашање

Како гласи равенката за работа при изобарен процес?

Со која равенка се дефинира работата при адијабатски процеси?

Како се дефинира коефициентот на корисно дејство кај топлинските машини?

Што се случува со ентропијата во природата?

Топлинска машина прима енергија 360J од топол резерваор, при што вкупната работа е 25J за време од еден циклус. Да се пресмета коефициентот на полезно дејство?

Во цилиндер на парна машина влегува пара под притисок од $p = 2 \text{ MPa}$. Колкава работа врши парата во еден циклус, ако волуменот на цилиндерот е $0,2 \text{ m}^3$?

Куршум со маса од 10 грама се движи со брзина од 400 m/s , влетува во вода и застанува. Вкупната енергија на куршумот се претвара во внатрешна енергија. За колку се зголемува внатрешната енергија на системот?

14. Физика - Општо образование

Прашање

На основа на Карноовиот кружен циклус, заклучи зошто степенот на корисно дејство на парните машини не може да биде еден?

Еден ученик изел храна за појадок со енергетска вредност $209 \cdot 10^3 J$. Тој сака да ја истроши целта внесена енергија во фитнес сала со дигање на тегови од 50 килограми. Колку пати треба да ги дигне теговите на висина од 2 метри? (Искористеноста на енергија е максимална)

Промената на температурата за 7K, изразена во $^{\circ}C$ изнесува:

Моќноста од 20MW изразена во W изнесува:

Скаларна величина е величината која е одредена со:

14. Физика - Општо образование

Прашање

Ако материјална точка се движи по кружница рамномерно, правејќи едно завртување за 2π неговата аголна брзина изнесува:

За колку време, тркало што се врти со аголна брзина 4π rad/s ќе направи 100 завртувања?

Тело се движи рамномерно праволиниски 1 час и поминува пат од 60km. Колкава е брзината на телото?

14. Физика - Општо образование

Прашање

Автомобил стартува од место и движејќи се рамномерно забрзано праволиниски со забрзување 1m/s^2 изминува пат 200 m. Колку време се движи ?

Равенката $F = ma$ го претставува:

Импулсот на телото е даден со равенката:

Направата за мерење на силата се вика:

14. Физика - Општо образование

Прашање

Тело е исфрлено од одредена висина во хорзонтален правец со брзина

v

о

$=10$

m

/

s

.

После

2

s

телото паѓа на земја, а неговиот хоризонтален домет изнесува:

14. Физика - Општо образование

Прашање

Ако
тело со маса
200
g
се движи
со
брзина
10
m
/
s
по кружница со радиус
0,2
m
,
тогаш центрипеталната сила што дејствува на телото изнесува:

Гравитационата сила помеѓу две тела со маси
 m_1
и
 m_2
поставени на меѓусебно растојание
 R
е
:

14. Физика - Општо образование

Прашање

Масата на некое тело поставено на подлога е 50 kg. Неговата тежина изнесува:

Потенцијалната енергија на телото во гравитационото поле на земјата зависи од:

**Ако силата од 10
N
го поместува телото за 0,5
m
, извршена е работа од:**

Ако телото врши работа од 300J за 10 минути, неговата моќност изнесува:

Моментот на силата е:

14. Физика - Општо образование

Прашање

Вртливото дејство на силата се мери со:

Со формулата $J = mr^2$ се искажува.:

Моментот на инерцијата зависи од:

Температурата од 20°C изразена во Келвини изнесува:

Изохорен процес кај гасот се случува кога:

Ако концентрацијата на молекули изнесува $N_o = 7,5 \cdot 10^{21}$, а средната кинетичка енергија на транлаторното движење $2 \cdot 10^{-16}\text{J}$, тогаш притисокот што го вршат молекулите врз ѕидовите на садот изнесува

Директен премин на тврдо тело во гасовита состојба се вика:

14. Физика - Општо образование

Прашање

Адијабатската константа зависи од:

Во цилиндер на парна машина влегува пареа под притисок од $p = 2 \text{ MPa}$. Колкава работа врши пареата во еден циклус, ако волуменот на цилиндерот е $0,2 \text{ m}^3$?

Температурата на греачот на парната машина $T_1 = 400 \text{ K}$, а на ладилникот $T_2 = 290 \text{ K}$. Колкав е степенот на корисно дејство ако се работи за идеална топлинска машина?

14. Физика - Општо образование

Прашање

Две тела со маси

m_1

и

m_2

(

m_1

=

m_2

)

се поставени на лизгалки. Првото тело го оттурнува второто со сила

F_1

.

Согласно третиот Њутнов закон и второто тело дејствува на првото тело со сила

F_2 ,

при што е исполнет условот:

Во зависност од формата на траекторијата движењата се делат на:

Ако тело се движи по прволиниска траекторија со константна брзина, тогаш движењето е:

14. Физика - Општо образование

Прашање

Величината која ја карактеризира промената на брзината во одреден временски интервал се вика:

Времето потребно телото да направи едно завртување се вика:

Бројот на завртувања на материјалната точка во единица време се вика:

Во зависност од брзината, движењата се делат на:

Слободното паѓање претставува:

Какво е движењето кога тангенцијалното забрзување на телото $a_t=0$, додека нормалното забрзување $a_n \neq 0$?

Телото прави 5 завртувања во единица време. Неговата фреквенција изнесува:

Забрзувањето кое кај криволиниските движења ја карактеризира промената на големината на брзината се вика:

14. Физика - Општо образование

Прашање

Материјалната точка прави едно завртувања за 2 минути. Нејзиниот период изнесува:

Колку пати аголната брзина на големата (минутната) стрелка на часовникот е поголема од аголната брзина на малата (сатната) стрелка?

Првите две секунди од своето движење телото се движи со брзина 2 m/s , наредните две секунди се одмара, а последните две секунди се движи со брзина 1 m/s . Неговата средна брзина изнесува:

Ако тело се движи рамномерно праволиниски со брзина $7,2 \text{ km/h}$, за 1 минута изминува пат од:

Телото се пушта слободно да паѓа од одредена висина. После 3 s удира на земја. Неговата брзина при ударот изнесува:

Силата со која Земјата ги привлекува телата се вика:

14. Физика - Општо образование

Прашање

Импулсот на силата претставува производ од:

Импулсот на телото е производ од:

Гравитационата сила помеѓу кои било две тела во природата:

Гравитационата сила помеѓу две тела со маси m_1 и m_2 поставени на меѓусебно растојание R зависи:

Гравитационото забрзување во полето на Земјата:

Ако масата на телото е 27 kg, а неговиот волумен $0,01 \text{ m}^3$, тогаш неговата густина изнесува:

14. Физика - Општо образование

Прашање

Силата што на тело со маса
200
g
му соопштува забрзување
2
m
/
s
2

изнесува:

Масата на некое тело поставено на подлога е
50
kg
.
Неговата тежина изнесува:

Вертикалниот истрел претставува:

Ако тело со маса од 200 g се движи со брзина од 10 m/s, по кружна со радиус 0,2 m, тогаш центрипеталната сила што дејствува на телото изнесува:

14. Физика - Општо образование

Прашање

Тело е исфрлено од висина 20.m во хорзонтален правец со брзина $v_0 = 10 \text{ m/s}$. После 2.s телото паѓа на земја, а неговиот хоризонтален домет изнесува:

Тело е исфрлено вертикално нагоре со почетна брзина 20 m/s. Неговата брзина после 0,5 s изнесува:

Тело со маса 100 g се движи со брзина 5 m/s. Импулсот на телото изнесува:

Кинетичката енергија на тело со маса $m=200 \text{ g}$ што се движи со брзина 20 m/s изнесува:

Мерната единица за моќност е дадена со изразот:

Една вреќа има маса од 100 kg. Човек ја подигнал вреќата на висина 0,5 m. Притоа тој извршил работа од:

14. Физика - Општо образование

Прашање

Тело со моќност
25
W
за
5 минути
извршува работа од:

Ако сите точки на апсолутното тврдо тело опишуваат кружници чии центри лежат на една права наречена оска на вртење велиме дека станува збор за:

Моментот на силата претставува производ од:

Величината која во ротационото движење претставува мерка за инертност на телото се вика:

На величината импулс на телото во вртливото движење соодветно одговара величината:

Производот од моментот на инерција и аголната брзина со која ротира телото се вика:

14. Физика - Општо образование

Прашање

Со која формула е зададен моментот на инерција на прстен?

Ако F е големината на силата, а R кракот на сила, тогаш телото добива вртлив момент ако:

Ако дете се врти на столче од пијано со вкрстени раце на градите, што ќе се случи кога ќе ги рашири рацете?

Момче со маса од 50kg се вози по надворешен раб од на еден рингишпил со дијаметар од 12 метри. Пресметај го моментот на импулс ако рингишпилот прави 3 завртувања во минута.

Буре се тркала по наведена рамнина. За него велиме дека изведува :

Авогадровата константа претставува број на структурни елементи (молекули, атоми):

Влажноста на воздухот се мери со:

14. Физика - Општо образование

Прашање

Температурата при која водената пара што е присутна во воздухот би станала заситена изнесува

20°

С

.

Таа температура се вика:

Фазниот премин, при кој супстанцијата преминува од течна во гасовита агрегатна состојба, се вика:

Густината на водената пара во воздухот на дадена температура се мери со величината:

Кај идеалните гасови:

Равенката за состојбата на идеален гас (Клапејронова равенка), ја дава врската помеѓу величините кои ја определуваат состојбата на идеален гас:

За даден гасен процес велиме дека е изохорен, ако со текот на времето се одржува константна вредноста на:

14. Физика - Општо образование

Прашање

Површините, кои водата ги натопува се викаат:

**Ако апсолутната влажноста на воздухот изнесува $6,8 \text{ g/m}^3$,
максималната $17,4 \text{ g/m}^3$, тогаш релативната влажност изнесува:**

При зголемување на волуменот за два пати во даден изобарен процес, температурата на гасот:

Лапласовиот притисок што се јавува во капиларната цевка:

Секоја макроскопска промена на состојбата на термодинамичкиот систем се вика:

Секоја топлинска машина се состои:

Првиот принцип на термодинамиката гласи:

14. Физика - Општо образование

Прашање

Коефициентот на корисно дејство на една реална топлинска машина:

При изобарен процес:

При изохорно ширење на гасовите извршената работа е:

При изотермна компресија на гасот промената на внатершната енергија е:

При даден адијабатски процес, термодинамичкиот систем:

Адијабатската константа зависи од:

Што е изолиран систем?

**При адијабатска експанзија
:**

14. Физика - Општо образование

Прашање

Внатрешната енергија на идеален гас:

Милан
од мирување
почнува да се движи рамномерно забрзано
со забрзување од $a=4\text{m/s}$. За колку време ќе постигни брзина
од 72 km/h ?

Импулсот на телото со маса
од $0,5$
 kg изнесува 5kgm/s . Со колкава брзина се движи телото?

Равенката $Q = \Delta U + A$ го претставува:

Бојл-Мариотовиот закон ја дава врската меѓу:

14. Физика - Општо образование

Прашање

Вртливо движење претставува движење на:

Колку изнесува центрипеталната сила на тело со маса од 0,4 kg, кое се движи со брзина 5 m/s по кружница со радиус од 0,5 m?

Сила од 35 N на телото му соопштува забрзување од 7 m/s². Колку изнесува масата на телото?

14. Физика - Општо образование

Прашање

Ако
тело од мирување почнува рамномерно да се забрзува и после 10^3
секунди достигнува брзина 5 m/s ,
неговото забрзување е:

**Формулата со која е дефинирана гравитационата сила помеѓу две
тела со маси**

m

m_1

и

m

m_2

поставени на меѓусебно растојание

R

е

:

14. Физика - Општо образование

Прашање

Тежина на тело е:

Тело со маса m , има брзина v , Неговата кинетичка енергија е:

Мерка за силата од (1 Њутн) е:

15. Француски (Втор странски јазик) - Општо образование

Прашање

Кој од понудените зборови означува спорт?

Кој збор означува професија?

Кој збор означува роднина?

Кој од понудените зборови означува годишно време?

15. Француски (Втор странски јазик) - Општо образование

Прашање

Кој збор означува мебел?

Кој од наведените зборови означува боја?

Што има во училница?

Кој од наведените зборови означува храна?

Најди го зборот што означува облека.

Кој збор припаѓа на областа на спортот?

Кој збор означува превозно средство?

15. Француски (Втор странски јазик) - Општо образование

Прашање

Кој од наведените зборови означува семеен празник?

Il est médecin. Où travaille-t-il ?

Доврши ја реченицата: On déjeune _____.

Доврши ја реченицата: Claude mesure 1.80 cm, il est :

Кој збор има спротивно значење на зборот faible ?

Доврши ја реченицата: Je porte souvent un pantalon_____.

Доврши ја следнава реченица: On dessine un paysage où il y a _____.

Il fait 42 degrés.
Какво е времето?

Дополни ја реченицата: Ce soir on va dîner chez les parents de mon mari. Donc, on dîne chez mes _____.

15. Француски (Втор странски јазик) - Општо образование

Прашање

Дополни ја реченицата: À l'école on écrit au tableau avec _____.

Што облекуваме кога одиме на плажа?

Опреди која е точната форма на глаголот aimer во реченицата: Ils _____ la cuisine française .

Одговори која е точната форма на повратниот глагол se reposer: Tu _____ l'après-midi ?

Пополни ја реченицата: Il conduit _____.

Одговори кој збор треба да стои на празното место во реченицата: Louis voudrait acheter _____ pantalon.

Кој е точниот реден број 10?

Најди ја точната замена во реченицата: Je téléphone à ma copine pour aller au café avec _____.

15. Француски (Втор странски јазик) - Општо образование

Прашање

Одговори која е негативната форма на реченицата: **Je mange des pommes.**

Одговори кој партитивен член треба да стои во реченицата: **Le matin, je bois un café et je mange du pain avec _____ beurre.**

Определи која е точната форма на повратниот глагол se promener: **Ils _____ chaque jour avec moi.**

Избери ја правилната форма на придавката во реченицата: **Paul est directeur. Sylvie est _____.**

Пополни ја реченицата со показна придавка
: **Je connais bien ... quartier.**

Дополни ја реченицата со соодветниот предлог: **Il voyage Tunisie.**

Дополни ја реченицата со соодветниот предлог: **Ils vont aller ... centre ville.**

15. Француски (Втор странски јазик) - Општо образование

Прашање

Опреди ја правилната форма на глаголот savoir во реченицата: Je _____ conduire une moto.

Трансформирај ја реченицата во заповеден начин: Tu dois écouter attentivement!

Опреди во кој одговор на прашањето: Tu vois la maison sur la colline? е правилно употребена заменката за директен предмет.

Замени ги подвлечените зборови со присвојна придавка: C`est la maison de Nicolas et Claude.

Одговори кој предлог треба да стои на празното место во реченицата: Nous allons _____ le médecin.

Дополни ја реченицата со соодветниот предлог: Tu vas..... bibliothèque.

Пополни ја реченицата со соодветната заменка: Monique va au théâtre, je vais avec _____.

15. Француски (Втор странски јазик) - Општо образование

Прашање

Одговори со која замена треба да се пополни реченицата: **Quand je parle français avec, ils ne comprennent rien.**

Избери го глаголот со кој треба да се дополни празното место: **Le défilé bientôt .**

Одговори со негација на следново прашање: **Vous voulez de l'eau?**

Одговори со која придавка треба да се пополни празното место во реченицата: **Marseille, c'est une ville** .

Како се претставуваме?

Со кој израз ќе го поздравеш твојот другар?

Со која реченица опишуваме физички изглед на некое лице?

Со која од следниве реченици се искажува задоволство?

15. Француски (Втор странски јазик) - Општо образование

Прашање

Со која од следниве реченици честитаме?

Со која од следниве реченици се извинуваме?

Избери ја реченицата со која одговараш кога некој ќе ти се заблагодари.

Со која реченица честитаме?

Со која од овие реченици се опишува карактер на некое лице ?

Опреди кое прашање одговара на следниов одговор: Très bien, merci.

Со која реченица изразуваме согласување?

Со која од следниве реченици опишуваме предмет?

15. Француски (Втор странски јазик) - Општо образование

Прашање

Определи како ќе одговориш на следново извинување: *Excusez-moi d'être en retard, s'il vous plaît.*

Најди го одговорот на следното прашање: *Julie, elle est comment?*

Со која од следниве реченици се одбива покана?

Со која од следниве реченици се искажува незадоволство?

Со која од следниве реченици се одбива покана?

Избери го изразот со кој се искажува задоволство.

Што велиш кога се согласуваш со нечие мислење?

Определи го прашањето на следниов одговор: *À mon avis, c'est un très bon élève.*

15. Француски (Втор странски јазик) - Општо образование

Прашање

Опреди како ќе одговориш на некој кој ти вели по телефон: *Je voudrais parler à M. Dupont.*

Со која од следниве реченици прашувате кој ве бара на телефон?

Со која од овие реченици се искажува физички опис?

Опреди со кој израз ќе реагираш на следнава реченица: *J'ai eu un accident.*

Опреди го прашањето на следниов одговор: *C'est mon directeur.*

Одговори што се искажува со следниов исказ: *Qu'elle est belle, cette fille !*

Со која од овие реченици се опишува карактерна црта?

Со која од овие реченици оставате порака на телефон?

15. Француски (Втор странски јазик) - Општо образование

Прашање

Одговори како ќе ја прифатиш следнава покана: On va au cinéma ce soir?

Одговори што ќе кажеш која ќе ја слушнеш следнава реченица: Je m'appelle Laure Bertrand.

Прочитај го внимателно текстот и одговори на прашањата.

Bonjour, Je m'appelle Roland, je suis Français et j'ai 15 ans. J'aimerais correspondre avec des filles du Canada. Ma famille compte 4 personnes: mes parents, ma sœur et moi. Nous habitons dans un grand immeuble dans le 14-ème arrondissement de la capitale. J'aime bien le judo et les langues étrangères. Je suis impatient de vous connaître.
Bises

Каков вид документ е текстот?

15. Француски (Втор странски јазик) - Општо образование

Прашање

Прочитај го внимателно текстот и одговори на прашањата.

Bonjour, Je m'appelle Roland, je suis Français et j'ai 15 ans. J'aimerais correspondre avec des filles du Canada. Ma famille compte 4 personnes: mes parents, ma sœur et moi. Nous habitons dans un grand immeuble dans le 14-ème arrondissement de la capitale. J'aime bien le judo et les langues étrangères. Je suis impatient de vous connaître.

Bises **Од колку члена е**

составено семејството на Ролан?

15. Француски (Втор странски јазик) - Општо образование

Прашање

Прочитај го внимателно текстот и одговори на прашањата.

Bonjour, Je m'appelle Roland, je suis Français et j'ai 15 ans. J'aimerais correspondre avec des filles du Canada. Ma famille compte 4 personnes: mes parents, ma sœur et moi. Nous habitons dans un grand immeuble dans le 14-ème arrondissement de la capitale. J'aime bien le judo et les langues étrangères. Je suis impatient de vous connaître.

Bises **Колку деца имаат**

родителите на Ролан?

15. Француски (Втор странски јазик) - Општо образование

Прашање

Прочитај го внимателно текстот и одговори на прашањата.

Bonjour, Je m'appelle Roland, je suis Français et j'ai 15 ans. J'aimerais correspondre avec des filles du Canada. Ma famille compte 4 personnes: mes parents, ma sœur et moi. Nous habitons dans un grand immeuble dans le 14-ème arrondissement de la capitale. J'aime bien le judo et les langues étrangères. Je suis impatient de vous connaître.

Bises **Со која цел пишува**

Ролан?

15. Француски (Втор странски јазик) - Општо образование

Прашање

Прочитај го внимателно текстот и одговори на прашањата.

Bonjour, Je m'appelle Roland, je suis Français et j'ai 15 ans. J'aimerais correspondre avec des filles du Canada. Ma famille compte 4 personnes: mes parents, ma sœur et moi. Nous habitons dans un grand immeuble dans le 14-ème arrondissement de la capitale. J'aime bien le judo et les langues étrangères. Je suis impatient de vous connaître.
Bises **Во што живее Ролан?**

15. Француски (Втор странски јазик) - Општо образование

Прашање

Прочитај го внимателно текстот и одговори на прашањата.

Bonjour, Je m'appelle Roland, je suis Français et j'ai 15 ans. J'aimerais correspondre avec des filles du Canada. Ma famille compte 4 personnes: mes parents, ma sœur et moi. Nous habitons dans un grand immeuble dans le 14-ème arrondissement de la capitale. J'aime bien le judo et les langues étrangères. Je suis impatient de vous connaître.
Bises **Ролан живее:**

15. Француски (Втор странски јазик) - Општо образование

Прашање

Прочитај го внимателно текстот и одговори на прашањата.

Bonjour,

Je m'appelle Roland, je suis Français et j'ai 15 ans. J'aimerais correspondre avec des filles du Canada. Ma famille compte 4 personnes: mes parents, ma sœur et moi. Nous habitons dans un grand immeuble dans le 14-ème arrondissement de la capitale. J'aime bien le judo et les langues étrangères.

Je suis impatient de vous connaître.

Bises **Roland aime:**

15. Француски (Втор странски јазик) - Општо образование

Прашање

Прочитај го внимателно текстот и одговори на прашањата.

Bonjour, Je m'appelle Roland, je suis Français et j'ai 15 ans. J'aimerais correspondre avec des filles du Canada. Ma famille compte 4 personnes: mes parents, ma sœur et moi. Nous habitons dans un grand immeuble dans le 14-ème arrondissement de la capitale. J'aime bien le judo et les langues étrangères. Je suis impatient de vous connaître.
Bises **Roland adore:**

15. Француски (Втор странски јазик) - Општо образование

Прашање

Прочитај го внимателно текстот и одговори на прашањата.

Bonjour,

Je m'appelle Roland, je suis Français et j'ai 15 ans. J'aimerais correspondre avec des filles du Canada. Ma famille compte 4 personnes: mes parents, ma sœur et moi. Nous habitons dans un grand immeuble dans le 14-ème arrondissement de la capitale. J'aime bien le judo et les langues étrangères.

Je suis impatient de vous connaître.

Bises

Реченицата: Je suis impatient de vous connaître, значи дека:

15. Француски (Втор странски јазик) - Општо образование

Прашање

Прочитај го внимателно текстот и одговори на прашањата.

Je suis lycéenne, et je voudrais correspondre avec un garçon ou une fille mexicaine de mon âge. Mon prénom est Jacqueline. J'habite à Ars en Ré, un petit village à l'île de Ré, à l'ouest de la France près de La Rochelle. Mon frère aîné est collégien et le petit va à la crèche avec ma petite sœur. Nous habitons dans une maison avec mes grands- parents. Mon père est professeur d'espagnol. Ma mère travaille à la réception d'un grand hôtel, elle a l'occasion de pratiquer l'espagnol tous les jours, parce qu'à l'hôtel il y beaucoup de touristes de l'Espagne. J'apprends l'espagnol au lycée et à la maison avec mon père. J'aime bien le sport, la mer. J'aime aussi la musique mexicaine et anglaise. A Noël, j'ai visité les États-Unis avec mes parents. J'aime bien connaître la culture mexicaine.

Документот претставува:

15. Француски (Втор странски јазик) - Општо образование

Прашање

Прочитај го внимателно текстот и одговори на прашањата.

Je suis lycéenne, et je voudrais correspondre avec un garçon ou une fille mexicaine de mon âge. Mon prénom est Jacqueline. J'habite à Ars en Ré, un petit village à l'île de Ré, à l'ouest de la France près de La Rochelle. Mon frère aîné est collégien et le petit va à la crèche avec ma petite sœur. Nous habitons dans une maison avec mes grands- parents. Mon père est professeur d'espagnol. Ma mère travaille à la réception d'un grand hôtel, elle a l'occasion de pratiquer l'espagnol tous les jours, parce qu'à l'hôtel il y beaucoup de touristes de l'Espagne. J'apprends l'espagnol au lycée et à la maison avec mon père. J'aime bien le sport, la mer. J'aime aussi la musique mexicaine et anglaise. A Noël, j'ai visité les États-Unis avec mes parents. J'aime bien connaître la culture mexicaine.

Што е предмет на документот?

15. Француски (Втор странски јазик) - Општо образование

Прашање

Прочитај го внимателно текстот и одговори на прашањата.

Je suis lycéenne, et je voudrais correspondre avec un garçon ou une fille mexicaine de mon âge. Mon prénom est Jacqueline. J'habite à Ars en Ré, un petit village à l'île de Ré, à l'ouest de la France près de La Rochelle. Mon frère aîné est collégien et le petit va à la crèche avec ma petite sœur. Nous habitons dans une maison avec mes grands- parents. Mon père est professeur d'espagnol. Ma mère travaille à la réception d'un grand hôtel, elle a l'occasion de pratiquer tous les jours l'espagnol, parce qu'à l'hôtel il y beaucoup de touristes de l'Espagne. J'apprends l'espagnol au lycée et à la maison avec mon père. J'aime bien le sport, la mer. J'aime aussi la musique mexicaine et anglaise. A Noël j'ai visité les États Unis avec mes parents.
J'aime bien connaître la culture mexicaine.

Колку браќа и сестри има Жаклина?

15. Француски (Втор странски јазик) - Општо образование

Прашање

Прочитај го внимателно текстот и одговори на прашањата.

Je suis lycéenne, et je voudrais correspondre avec un garçon ou une fille mexicaine de mon âge. Mon prénom est Jacqueline. J'habite à Ars en Ré, un petit village à l'île de Ré, à l'ouest de la France près de La Rochelle. Mon frère aîné est collégien et le petit va à la crèche avec ma petite sœur. Nous habitons dans une maison avec mes grands- parents. Mon père est professeur d'espagnol. Ma mère travaille à la réception d'un grand hôtel, elle a l'occasion de pratiquer tous les jours l'espagnol, parce qu'à l'hôtel il y beaucoup de touristes de l'Espagne. J'apprends l'espagnol au lycée et à la maison avec mon père. J'aime bien le sport, la mer. J'aime aussi la musique mexicaine et anglaise. A Noël j'ai visité les États Unis avec mes parents. J'aime bien connaître la culture mexicaine.

Жаклина живее во:

15. Француски (Втор странски јазик) - Општо образование

Прашање

Прочитај го внимателно текстот и одговори на прашањата.

Je suis lycéenne, et je voudrais correspondre avec un garçon ou une fille mexicaine de mon âge. Mon prénom est Jacqueline. J'habite à Ars en Ré, un petit village à l'île de Ré, à l'ouest de la France près de La Rochelle. Mon frère aîné est collégien et le petit va à la crèche avec ma petite sœur. Nous habitons dans une maison avec mes grands- parents. Mon père est professeur d'espagnol. Ma mère travaille à la réception d'un grand hôtel, elle a l'occasion de pratiquer tous les jours l'espagnol, parce qu'à l'hôtel il y beaucoup de touristes de l'Espagne. J'apprends l'espagnol au lycée et à la maison avec mon père. J'aime bien le sport, la mer. J'aime aussi la musique mexicaine et anglaise. A Noël j'ai visité les États Unis avec mes parents.
J'aime bien connaître la culture mexicaine.

Од колку члена е составено семејството на Жаклина?

15. Француски (Втор странски јазик) - Општо образование

Прашање

Прочитај го внимателно текстот и одговори на прашањата.

Je suis lycéenne, et je voudrais correspondre avec un garçon ou une fille mexicaine de mon âge. Mon prénom est Jacqueline. J'habite à Ars en Ré, un petit village à l'île de Ré, à l'ouest de la France près de La Rochelle. Mon frère aîné est collégien et le petit va à la crèche avec ma petite sœur. Nous habitons dans une maison avec mes grands- parents. Mon père est professeur d'espagnol. Ma mère travaille à la réception d'un grand hôtel, elle a l'occasion de pratiquer l'espagnol tous les jours, parce qu'à l'hôtel il y beaucoup de touristes de l'Espagne. J'apprends l'espagnol au lycée et à la maison avec mon père. J'aime bien le sport, la mer. J'aime aussi la musique mexicaine et anglaise. A Noël, j'ai visité les États-Unis avec mes parents. J'aime bien connaître la culture mexicaine.

**Мајка
и на Жаклина работи во секторот:**

15. Француски (Втор странски јазик) - Општо образование

Прашање

Прочитај го внимателно текстот и одговори на прашањата.

Je suis lycéenne, et je voudrais correspondre avec un garçon ou une fille mexicaine de mon âge. Mon prénom est Jacqueline. J'habite à Ars en Ré, un petit village à l'île de Ré, à l'ouest de la France près de La Rochelle. Mon frère aîné est collégien et le petit va à la crèche avec ma petite sœur. Nous habitons dans une maison avec mes grands- parents. Mon père est professeur d'espagnol. Ma mère travaille à la réception d'un grand hôtel, elle a l'occasion de pratiquer l'espagnol tous les jours, parce qu'à l'hôtel il y beaucoup de touristes de l'Espagne. J'apprends l'espagnol au lycée et à la maison avec mon père. J'aime bien le sport, la mer. J'aime aussi la musique mexicaine et anglaise. A Noël, j'ai visité les États-Unis avec mes parents. J'aime bien connaître la culture mexicaine.

**Колку добро мајка
ѝ на Жаклина зборува шпански јазик?**

15. Француски (Втор странски јазик) - Општо образование

Прашање

Прочитај го внимателно текстот и одговори на прашањата.

Je suis lycéenne, et je voudrais correspondre avec un garçon ou une fille mexicaine de mon âge. Mon prénom est Jacqueline. J'habite à Ars en Ré, un petit village à l'île de Ré, à l'ouest de la France près de La Rochelle. Mon frère aîné est collégien et le petit va à la crèche avec ma petite sœur. Nous habitons dans une maison avec mes grands- parents. Mon père est professeur d'espagnol. Ma mère travaille à la réception d'un grand hôtel, elle a l'occasion de pratiquer l'espagnol tous les jours, parce qu'à l'hôtel il y beaucoup de touristes de l'Espagne. J'apprends l'espagnol au lycée et à la maison avec mon père. J'aime bien le sport, la mer. J'aime aussi la musique mexicaine et anglaise. A Noël, j'ai visité les États-Unis avec mes parents. J'aime bien connaître la culture mexicaine.

Татко ѝ на Жаклина работи во:

15. Француски (Втор странски јазик) - Општо образование

Прашање

Прочитај го внимателно текстот и одговори на прашањата.

Je suis lycéenne, et je voudrais correspondre avec un garçon ou une fille mexicaine de mon âge. Mon prénom est Jacqueline. J'habite à Ars en Ré, un petit village à l'île de Ré, à l'ouest de la France près de La Rochelle. Mon frère aîné est collégien et le petit va à la crèche avec ma petite sœur. Nous habitons dans une maison avec mes grands- parents. Mon père est professeur d'espagnol. Ma mère travaille à la réception d'un grand hôtel, elle a l'occasion de pratiquer tous les jours l'espagnol, parce qu'à l'hôtel il y beaucoup de touristes de l'Espagne. J'apprends l'espagnol au lycée et à la maison avec mon père. J'aime bien le sport, la mer. J'aime aussi la musique mexicaine et anglaise. A Noël j'ai visité les États Unis avec mes parents.
J'aime bien connaître la culture mexicaine.

Која е целта на писмото?

15. Француски (Втор странски јазик) - Општо образование

Прашање

Прочитај го внимателно текстот и одговори на прашањата.

Je suis lycéenne, et je voudrais correspondre avec un garçon ou une fille mexicaine de mon âge. Mon prénom est Jacqueline. J'habite à Ars en Ré, un petit village à l'île de Ré, à l'ouest de la France près de La Rochelle. Mon frère aîné est collégien et le petit va à la crèche avec ma petite sœur. Nous habitons dans une maison avec mes grands- parents. Mon père est professeur d'espagnol. Ma mère travaille à la réception d'un grand hôtel, elle a l'occasion de pratiquer l'espagnol tous les jours, parce qu'à l'hôtel il y beaucoup de touristes de l'Espagne. J'apprends l'espagnol au lycée et à la maison avec mon père. J'aime bien le sport, la mer. J'aime aussi la musique mexicaine et anglaise. A Noël, j'ai visité les États-Unis avec mes parents. J'aime bien connaître la culture mexicaine.

Која е желбата на Жаклина?

15. Француски (Втор странски јазик) - Општо образование

Прашање

Прочитај го внимателно текстот и одговори на прашањата.

Je suis lycéenne, et je voudrais correspondre avec un garçon ou une fille mexicaine de mon âge. Mon prénom est Jacqueline. J'habite à Ars en Ré, un petit village à l'île de Ré, à l'ouest de la France près de La Rochelle. Mon frère aîné est collégien et le petit va à la crèche avec ma petite sœur. Nous habitons dans une maison avec mes grands- parents. Mon père est professeur d'espagnol. Ma mère travaille à la réception d'un grand hôtel, elle a l'occasion de pratiquer l'espagnol tous les jours, parce qu'à l'hôtel il y beaucoup de touristes de l'Espagne. J'apprends l'espagnol au lycée et à la maison avec mon père. J'aime bien le sport, la mer. J'aime aussi la musique mexicaine et anglaise. A Noël, j'ai visité les États-Unis avec mes parents. J'aime bien connaître la culture mexicaine.

Жаклина по националност е:

15. Француски (Втор странски јазик) - Општо образование

Прашање

Прочитај го внимателно текстот и одговори на прашањата.

Vous avez entre 13 et 18 ans.
Vous voulez approfondir vos connaissances
en technologie informatique
Vous connaissez l'anglais.
infolangues@edu.fr

Каков вид документ е текстот?

Прочитај го внимателно текстот и одговори на прашањата.

Vous avez entre 13 et 18 ans.
Vous voulez approfondir vos connaissances
en technologie informatique
Vous connaissez l'anglais.
infolangues@edu.fr

Кому му е наменет текстот?

15. Француски (Втор странски јазик) - Општо образование

Прашање

Прочитај го внимателно текстот и одговори на прашањата.

Vous avez entre 13 et 18 ans.
Vous voulez approfondir vos connaissances
en technologie informatique
Vous connaissez l'anglais.
infolangues@edu.fr

Во текстот станува збор за:

Прочитај го внимателно текстот и одговори на прашањата.

Vous avez entre 13 et 18 ans.
Vous voulez approfondir vos connaissances
en technologie informatique
Vous connaissez l'anglais.
infolangues@edu.fr

Во текстот се бара:

Кој од овие зборови е поврзан по значење со природата?

Определи го зборот кој не означува професија.

15. Француски (Втор странски јазик) - Општо образование

Прашање

Кој збор НЕ означува облека?

Кој од овие зборови не припаѓа на областа на музиката?

Кој од наведените зборови означува пијалак?

Кој од наведените зборови означува облека?

Каде треба да одиме за да пливаме?

Кој од наведените зборови означува твоја роднина?

Кој поим НЕ претставува просторија во домот?

Одговори кој збор означува боја.

Кој збор НЕ означува превозно средство?

Каде одиме за да гледаме филм?

15. Француски (Втор странски јазик) - Општо образование

Прашање

Дополни ја реченицата: Nous regardons la télévision dans _____.

Доврши ја реченицата: On dîne _____.

Доврши ја реченицата:
Je vais souvent au théâtre pour regarder_____.

Во која просторија од станот подготвуваме јадење?

Кој од следниве зборови означува жолта боја?

Доврши ја реченицата: Кога сум дома сакам да лежам на
_____.

Во која просторија од станот спиеме?

Дополни ја реченицата: Elle travaille à l'opéra. Elle est_____.

Продолжи ја реченицата: Il est fils de ma soeur. Il est mon
_____.

15. Француски (Втор странски јазик) - Општо образование

Прашање

Опреди ја точната форма на глаголот во реченицата: **Il se promène chaque jour, je _____ seulement le vendredi.**

Дополни ја реченицата со неопределен член: **Je regarde_____ pièce.**

Дополни ја реченицата со точниот определен член:

**Juliette
aime_____ cuisine
marocaine**

Одговори со кој збор ќе ги замениш подвлечените зборови во реченицата: **Julie et Sandrine vont souvent au cinéma.**

Одговори која форма на глаголот aller треба да стои во реченицата: **Mes amis_____ à la montagne.**

Одговори која форма на глаголот pouvoir недостасува во реченицата: **Qu'est ce que je _____offrir à Michèle pour son anniversaire?**

Одговори со која именка треба да се дополни реченицата: **Pierre est acteur. Léa est_____**

15. Француски (Втор странски јазик) - Општо образование

Прашање

Одговори која замена треба да стои во реченицата: **Je sors avec ma sorine. Je sors avec_____.**

Определити кој предлог треба да стои во реченицата : **Mireille travaille.... Angleterre.**

Одговори која е правилната форма на повратниот глагол se lever во реченицата:

**Je.....
très tôt le matin.**

Најди ја точната форма на негацијата на следнава реченица: **Je mange des fruits.**

Одговори со кој партиципелен член треба да се пополни реченицата: **En général, après le déjeuner je bois un café et je mange du pain avec fromage.**

Пополни ја реченицата со соодветната форма на глаголот parler во сегашно време: **Tu très bien français.**

Пополни ја реченицата со соодветната форма на participe passé: **Dimanche, je suis..... à la maison.**

15. Француски (Втор странски јазик) - Општо образование

Прашање

Опреди кој член треба да се употреби во реченицата: Véronique sort avec _____ frère de Lucie.

Дополни ја реченицата : Aujourd'hui, Léa va au cinéma.
Hier, _____

Дополни ја реченицата: Tu dois étudier. Alors, _____

Дополни ја реченицата со глагол во блиско идно време: Demain, on pour l'Espagne.

Одговори во која реченица е правилно употребена присвојната придавка: Ce sont les livres de Louise.

Одговори кој предлог треба да стои на празното место во реченицата: Je vais _____ l'ami de ma soeur.

Одговори кој слен член ќе го употребиш во реченицата: Tu vas..... aéroport?

Опреди кој од наведените членови одговара во реченицата: J`achète _____ cadeau pour ma grand-mère.

15. Француски (Втор странски јазик) - Општо образование

Прашање

Употреби ја соодветната показна придавка во следнава реченица:

.....
**maison
est très
jolie
.**

Избери ја реченицата со која одговараме на нечие заблагодарување.

Како се кажува името?

Со кој исказ ќе искажеш одбивање на покана?

Со кој исказ ќе го искажеш своето неприфаќање на покана?

15. Француски (Втор странски јазик) - Општо образование

Прашање

Со кој исказ ќе опишеш карактер на некое лице ?

Со која од следниве реченици прифаќаме покана?

Како ќе бараш информација за временските прилики?

Со кој исказ ќе се извиниш некому?

Пронајди го изразот што означува задоволство.

Со која од овие реченици се опишува карактерна особина на некое лице ?

Избери ја реченицата со која се заблагодаруваме.

15. Француски (Втор странски јазик) - Општо образование

Прашање

Со која реченица претставуваме некого?

Со кој исказ ќе поканиш некого?

Определи кој е правилниот одговор на следното прашање: *Claude, il est comment?*

Го сретнуваш твојот наставник наутро, како ќе го поздравиш?

Со кој израз се искажува задоволство?

Со кој исказ прифаќаме покана?

Како се заблагодаруваме?

Со која од следниве реченици опишуваме физички изглед?

Определи го точниот одговор на следното прашање: *Quel est votre avis?*

15. Француски (Втор странски јазик) - Општо образование

Прашање

Опреди го одговорот на телефонскиот повик: **Je voudrais parler à Madame Patrick.**

Опреди го точниот одговор на прашањето: **On arrive à quelle heure?**

Опреди го точниот одговор на изразот: **Bonsoir, Madame. Vous allez bien?**

Реченицата: Qui est à l'appareil?, ја употребуваме кога:

Одговори со кој исказ ќе ја одбиеш поканата: **Tu vas au théâtre avec moi ?**

Одговори
на
кој
начин
ќе
ја
прифатиш
следнава
покана
:

Tu peux venir chez moi samedi ? J'organise une fête.

15. Француски (Втор странски јазик) - Општо образование

Прашање

Со исказот: Avec plaisir:

Со реченицата: Je ne suis pas d'accord. **искажуваме:**

Опреди што искажуваме со следниов исказ: **Tous mes vœux de bonheur!**

Најди го соодветното прашање на следниот одговор: **Non, je suis anglais.**

15. Француски (Втор странски јазик) - Општо образование

Прашање

Прочитај го внимателно текстот и одговори на прашањата.

Cher Albert,
Je fête mes 16 ans vendredi le 22 mai chez moi.
Téléphone-moi avant le 20 mai.
Tu peux venir avec tes copines Sylvie et Chloé.

Martine Boucher
12 Impasse 29000 Bordeaux
Tel. 05 34 45 50
bouchermt@bordeaux.com

Текстот е напишан со цел:

15. Француски (Втор странски јазик) - Општо образование

Прашање

Прочитај го внимателно текстот и одговори на прашањата.

Cher Albert,
Je fête mes 16 ans vendredi le 22 mai chez moi.
Téléphone-moi avant le 20 mai.
Tu peux venir avec tes copines Sylvie et Chloé.

Martine Boucher
12 Impasse 29000 Bordeaux
Tel. 05 34 45 50
bouchermt@bordeaux.com

Во текстот станува збор за забава по повод:

15. Француски (Втор странски јазик) - Општо образование

Прашање

Прочитај го внимателно текстот и одговори на прашањата.

Cher Albert,
Je fête mes 16 ans vendredi le 22 mai chez moi.
Téléphone-moi avant le 20 mai.
Tu peux venir avec tes copines Sylvie et Chloé.

Martine Boucher
12 Impasse 29000 Bordeaux
Tel. 05 34 45 50
bouchermt@bordeaux.com

Каде се одржува забавата?

15. Француски (Втор странски јазик) - Општо образование

Прашање

Прочитај го внимателно текстот и одговори на прашањата.

Cher Albert,
Je fête mes 16 ans vendredi le 22 mai chez moi.
Téléphone-moi avant le 20 mai.
Tu peux venir avec tes copines Sylvie et Chloé.

Martine Boucher
12 Impasse 29000 Bordeaux
Tel. 05 34 45 50
bouchermt@bordeaux.com

Забавата ќе се одржи на:

15. Француски (Втор странски јазик) - Општо образование

Прашање

Прочитај го внимателно текстот и одговори на прашањата.

Cher Albert,
Je fête mes 16 ans vendredi le 22 mai chez moi.
Téléphone-moi avant le 20 mai.
Tu peux venir avec tes copines Sylvie et Chloé.

Martine Boucher
12 Impasse 29000 Bordeaux
Tel. 05 34 45 50
bouchermt@bordeaux.com

Кој ја организира забавата?

15. Француски (Втор странски јазик) - Општо образование

Прашање

Прочитај го внимателно текстот и одговори на прашањата.

Cher Albert,
Je fête mes 16 ans vendredi le 22 mai chez moi.
Téléphone-moi avant le 20 mai.
Tu peux venir avec tes copines Sylvie et Chloé.

Martine Boucher
12 Impasse 29000 Bordeaux
Tel. 05 34 45 50
bouchermt@bordeaux.com

Авторот на текстот предлага:

15. Француски (Втор странски јазик) - Општо образование

Прашање

Прочитај го внимателно текстот и одговори на прашањата.

Cher Albert,
Je fête mes 16 ans vendredi le 22 mai chez moi.
Téléphone-moi avant le 20 mai.
Tu peux venir avec tes copines Sylvie et Chloé.

Martine Boucher
12 Impasse 29000 Bordeaux
Tel. 05 34 45 50
bouchermt@bordeaux.com

Која е врската на Силви и Клое со Албер и Мартина?

15. Француски (Втор странски јазик) - Општо образование

Прашање

Прочитај го внимателно текстот и одговори на прашањата.

Cher Albert,
Je fête mes 16 ans vendredi le 22 mai chez moi.
Téléphone-moi avant le 20 mai.
Tu peux venir avec tes copines Sylvie et Chloé.

Martine Boucher
12 Impasse 29000 Bordeaux
Tel. 05 34 45 50
bouchermt@bordeaux.com

Колку години полни Мартина?

15. Француски (Втор странски јазик) - Општо образование

Прашање

Внимателно прочитај го текстот и пронајди го соодветниот одговор на прашањата.

Je m'appelle Norma, je suis née au Canada. J'ai 39 ans. Je suis mariée et j'ai un fils Paul et une fille Florence. Mon époux, Dimitri, est d'origine polonaise et il travaille à l'hôpital. Il adore les montagnes et la neige. Je suis journaliste à Montréal. Je n'aime pas voyager. Je préfère écouter la musique et j'adore mon métier. Je déteste le froid et la pluie.

Што прави во текстот Норма?

15. Француски (Втор странски јазик) - Општо образование

Прашање

Внимателно прочитај го текстот и пронајди го соодветниот одговор на прашањата.

Je m'appelle Norma, je suis née au Canada. J'ai 39 ans. Je suis mariée et j'ai un fils Paul et une fille Florence. Mon époux, Dimitri, est d'origine polonaise et il travaille à l'hôpital. Il adore les montagnes et la neige. Je suis journaliste à Montréal. Je n'aime pas voyager. Je préfère écouter la musique et j'adore mon métier. Je déteste le froid et la pluie.

Како се вика сопругот на Норма?

15. Француски (Втор странски јазик) - Општо образование

Прашање

Внимателно прочитај го текстот и пронајди го соодветниот одговор на прашањата.

Je m'appelle Norma, je suis née au Canada. J'ai 39 ans. Je suis mariée et j'ai un fils Paul et une fille Florence. Mon époux, Dimitri, est d'origine polonaise et il travaille à l'hôpital. Il adore les montagnes et la neige. Je suis journaliste à Montréal. Je n'aime pas voyager. Je préfère écouter la musique et j'adore mon métier. Je déteste le froid et la pluie.

Што сака Норма?

15. Француски (Втор странски јазик) - Општо образование

Прашање

Внимателно прочитај го текстот и пронајди го соодветниот одговор на прашањата.

Je m'appelle Norma, je suis née au Canada. J'ai 39 ans. Je suis mariée et j'ai un fils Paul et une fille Florence. Mon époux, Dimitri, est d'origine polonaise et il travaille à l'hôpital. Il adore les montagnes et la neige. Je suis journaliste à Montréal. Je n'aime pas voyager. Je préfère écouter la musique et j'adore mon métier. Je déteste le froid et la pluie.

Сопругот на Норма по професија е:

15. Француски (Втор странски јазик) - Општо образование

Прашање

Прочитај го внимателно текстот и одговори на прашањата.

Je m'appelle Léo. J'ai seize ans . J'ai une soeur , Christine. Elle a 20 ans et elle travaille dans un magasin qui se trouve rue de la Révolution. Le travail l'intéresse vraiment parce que la mode, c'est une passion pour elle. Je ne suis pas un sportif. Mon père, par contre, pratique tous les jours la marche rapide. Il en a besoin parce qu'il travaille dans une banque et il est toujours devant son ordinateur. Ma mère enseigne la danse.

Целта на текстот е:

15. Француски (Втор странски јазик) - Општо образование

Прашање

Прочитај го внимателно текстот и одговори на прашањата.

Je m'appelle Léo. J'ai seize ans . J'ai une soeur , Christine. Elle a 20 ans et elle travaille dans un magasin qui se trouve rue de la Révolution. Le travail l'intéresse vraiment parce que la mode, c'est une passion pour elle. Je ne suis pas un sportif. Mon père, par contre, pratique tous les jours la marche rapide. Il en a besoin parce qu'il travaille dans une banque et il est toujours devant son ordinateur. Ma mère enseigne la danse.

Од колку члена е составено семејството на Лео?

15. Француски (Втор странски јазик) - Општо образование

Прашање

Прочитај го внимателно текстот и одговори на прашањата.

Je m'appelle Léo. J'ai seize ans . J'ai une soeur , Christine. Elle a 20 ans et elle travaille dans un magasin qui se trouve rue de la Révolution. Le travail l'intéresse vraiment parce que la mode, c'est une passion pour elle. Je ne suis pas un sportif. Mon père, par contre, pratique tous les jours la marche rapide. Il en a besoin parce qu'il travaille dans une banque et il est toujours devant son ordinateur. Ma mère enseigne la danse.

Колку години има Лео?

15. Француски (Втор странски јазик) - Општо образование

Прашање

Прочитај го внимателно текстот и одговори на прашањата.

Je m'appelle Léo. J'ai seize ans . J'ai une soeur , Christine. Elle a 20 ans et elle travaille dans un magasin qui se trouve rue de la Révolution. Le travail l'intéresse vraiment parce que la mode, c'est une passion pour elle. Je ne suis pas un sportif. Mon père, par contre, pratique tous les jours la marche rapide. Il en a besoin parce qu'il travaille dans une banque et il est toujours devant son ordinateur. Ma mère enseigne la danse.

Сестра му на Лео по професија е:

15. Француски (Втор странски јазик) - Општо образование

Прашање

Прочитај го внимателно текстот и одговори на прашањата.

Je m'appelle Léo. J'ai seize ans . J'ai une soeur , Christine. Elle a 20 ans et elle travaille dans un magasin qui se trouve rue de la Révolution. Le travail l'intéresse vraiment parce que la mode, c'est une passion pour elle. Je ne suis pas un sportif. Mon père, par contre, pratique tous les jours la marche rapide. Il en a besoin parce qu'il travaille dans une banque et il est toujours devant son ordinateur. Ma mère enseigne la danse.

Мајка му на Лео работи во:

15. Француски (Втор странски јазик) - Општо образование

Прашање

Прочитај го внимателно текстот и одговори на прашањата.

Salut Léa,
Comment vas-tu? Comme tu le sais, Bruno part bientôt en vacances au Japon.
J'organise une petite fête chez moi samedi pour son départ. Je t'attends près de
la station de la vieille ville à 20 heures. Tu peux venir?
J'attends ta réponse.
À bientôt.
Chloé

Текстот претставува:

15. Француски (Втор странски јазик) - Општо образование

Прашање

Прочитај го внимателно текстот и одговори на прашањата.

Salut Léa,
Comment vas-tu? Comme tu le sais, Bruno part bientôt en vacances au Japon.
J'organise une petite fête chez moi samedi pour son départ. Je t'attends près de
la station de la vieille ville à 20 heures. Tu peux venir?
J'attends ta réponse.
À bientôt.
Chloé

Целта на текстот е:

15. Француски (Втор странски јазик) - Општо образование

Прашање

Прочитај го внимателно текстот и одговори на прашањата.

Salut Léa,
Comment vas-tu? Comme tu le sais, Bruno part bientôt en vacances au Japon.
J'organise une petite fête chez moi samedi pour son départ. Je t'attends près de
la station de la vieille ville à 20 heures. Tu peux venir?
J'attends ta réponse.
À bientôt.
Chloé

Што очекува Клое од Леа?

15. Француски (Втор странски јазик) - Општо образование

Прашање

Прочитај го внимателно текстот и одговори на прашањата.

Salut Léa,
Comment vas-tu? Comme tu le sais, Bruno part bientôt en vacances au Japon.
J'organise une petite fête chez moi samedi pour son départ. Je t'attends près de
la station de la vieille ville à 20 heures. Tu peux venir?
J'attends ta réponse.
À bientôt.
Chloé

Во кој дел од денот е средбата?

15. Француски (Втор странски јазик) - Општо образование

Прашање

Прочитај го внимателно текстот и одговори на прашањата.

Salut Léa,
Comment vas-tu? Comme tu le sais, Bruno part bientôt en vacances au Japon.
J'organise une petite fête chez moi samedi pour son départ. Je t'attends près de
la station de la vieille ville à 20 heures. Tu peux venir?
J'attends ta réponse.
À bientôt.
Chloé

Зошто Клое ја организира забавата?

15. Француски (Втор странски јазик) - Општо образование

Прашање

Прочитај го внимателно текстот и одговори на прашањата.

Salut Léa,
Comment vas-tu? Comme tu le sais, Bruno part bientôt en vacances au Japon.
J'organise une petite fête chez moi samedi pour son départ. Je t'attends près de
la station de la vieille ville à 20 heures. Tu peux venir?
J'attends ta réponse.
À bientôt.
Chloé

Каде се организира забавата?

15. Француски (Втор странски јазик) - Општо образование

Прашање

Прочитај го внимателно текстот и одговори на прашањата.

Je m'appelle Léo. J'ai seize ans . J'ai une soeur , Christine. Elle a 20 ans et elle travaille dans un magasin qui se trouve rue de la Révolution. Le travail l'intéresse vraiment parce que la mode, c'est une passion pour elle. Je ne suis pas un sportif. Mon père, par contre, pratique tous les jours la marche rapide. Il en a besoin parce qu'il travaille dans une banque et il est toujours devant son ordinateur. Ma mère enseigne la danse.

**Татко му на Лео сака да
:**

Жан работи во ресторан. Тој е _____.

**Опреди ја точната форма на глаголот avoir во реченицата:
Elle _____ 14 ans l'année dernière.**

16. Француски (Прв странски јазик) - Општо образование

Прашање

Кој од наведените зборови означува облека?

16. Француски (Прв странски јазик) - Општо образование

Прашање

Каде треба да одиме за да пливаме?

Кој од наведените зборови означува твоја роднина?

Кој поим не претставува просторија во домот?

Каде одиме за да гледаме балет?

Што купуваме на пазар?

Опреди го зборот што не означува мебел.

Кој од наведените зборови означува боја?

16. Француски (Прв странски јазик) - Општо образование

Прашање

Најди го зборот што има спротивно значење на придавката paresseuse.

Кој од наведените зборови означува десерт?

Каде одиме за да гледаме филм?

Определи го зборот што означува храна

.

Најди го зборот означува облека.

Кој збор не припаѓа на областа на спортот?

16. Француски (Прв странски јазик) - Општо образование

Прашање

Кој од наведените зборови означува твој родител?

**Определи го зборот што по своето значење е поврзан со темата:
Природа.**

Кога одиме во супермаркет купуваме:

Кој збор не означува мебел?

Кој од наведените зборови не означува боја?

Како ќе кажеме дека е полноќ?

Кој од наведените зборови не означува пијалак?

Одговори кој збор означува просторија во домот.

16. Француски (Прв странски јазик) - Општо образование

Прашање

Со која од следниве придавки се опишува физички изглед?

Определи ја именката што означува роднина.

Дополни ја реченицата: Il a les yeux_____.

Доврши ја реченицата: Elle travaille à l'hôpital. Elle est_____.

Дополни ја реченицата: À l'école on écrit au tableau avec_____.

Дополни ја реченицата: La mère de mon père, c'est ma _____.

Изразот: Pauline est célibataire, значи дека таа_____.

За да слушаме музика се служиме со_____.

Дополни ја реченицата: Nous regardons la télévision dans _____.

16. Француски (Прв странски јазик) - Општо образование

Прашање

Дополни го исказот:

Tu es malade et tu appelles_____.

Дополни го исказот:

**Dans l
a salle de bain il y a _____.**

Одговори кој збор недостасува во реченицата : Le frère de ma mère, c'est mon _____.

Во која просторија од станот јадеме?

Дополни ја реченицата: Elle travaille à l'école. Elle est _____.

Кој од наведените зборови е со спротивно значење на зборот amusant ?

Кој од наведените зборови означува пијалак?

Кој од овие зборови не припаѓа на областа на музиката?

16. Француски (Прв странски јазик) - Општо образование

Прашање

Определи го зборот што не означува професија.

Кој од овие зборови е поврзан по значење со природата?

Определи го зборот што означува просторија во домот.

Кој збор не означува облека?

Најди го зборот што означува твоја роднина.

Кој од понудените зборови означува просторија во домот?

Кој од овие зборови означува професија?

Кој збор означува облека?

Кој од понудените зборови означува роднина?

16. Француски (Прв странски јазик) - Општо образование

Прашање

Кој збор не означува храна?

Кој од понудените зборови означува мебел?

Продолжи ја реченицата: Il est fils de ma tante. Il est mon_____.

Доврши ја реченицата: J'aime la couleur _____.

Доврши ја реченицата: Je vais souvent au théâtre pour regarder_____.

Дополни ја реченицата: J'aime visiter_____.

За да испратиме порака преку Интернет се служиме со:

Дополни ја реченицата: Nous aimons manger dehors, c'est-a-dire dans _____.

16. Француски (Прв странски јазик) - Општо образование

Прашање

Која облека ја носат момчињата?

Доврши го исказот: Dans la cuisine il y a _____.

Доврши го исказот: Dans ma chambre il y a _____.

Одговори кој збор недостасува во реченицата: La soeur de ma mère, c'est ma _____.

Во која просторија од станот подготвуваме јадење?

Дополни ја реченицата: Elle travaille à l'opéra. Elle est _____.

Продолжи ја реченицата: Il est père de mon cousin. Il est mon _____.

Пол ги заврши студиите по право. Тој ќе стане _____.

Доврши ја реченицата: Кога сум дома сакам да лежам на _____.

Доврши ја реченицата со збор што означува боја: Je porte souvent un pull-over _____.

16. Француски (Прв странски јазик) - Општо образование

Прашање

Кој од овие глаголи е употребен во минато време?

Кој неопределен член треба да стои пред именката livre ?

Во која реченица е употребено блиско идно време?

Дополни ја реченицата со определен член: J' aime gâteaux .

Определи ја точната форма на глаголот se lever во реченицата: Ils _____ à 9 heures.

Избери го определениот член во реченицата: Marc aime_____ hiver.

Определи ја заменката со која ќе ја дополниш реченицата: _____ prend du café avec un ami.

Определи која форма на глаголот faire треба да стои на празното место во реченицата: Les élèves_____ du sport.

Одговори кој глагол е употребен во минато време.

16. Француски (Прв странски јазик) - Општо образование

Прашање

Одговори која форма на глаголот pouvoir недостасува во реченицата: Qu'est ce que je _____ offrir à Michèle pour son anniversaire?

Определи го одговорот на следното прашање употребувајќи блиско идно време: Vous sortez?

Дополни ја реченицата со точната форма на неопределена придавка: Demain, c'est la fête nationale. _____ la ville est décorée.

Определи ја точната форма на глаголот во реченицата: Il se promène chaque jour, je _____ seulement le vendredi.

Дополни ја реченицата со неопределен член: Je regarde_____ pièce.

Избери го определениот член во реченицата: Juliette aime_____ cuisine marocaine.

16. Француски (Прв странски јазик) - Општо образование

Прашање

**Одговори со кој збор ќе
го замениш подвлечените зборови во реченицата:**

Julie et Claude
vont souvent au cinéma.

Одговори која форма на глаголот aller треба да стои во реченицата : Mon ami _____ à la montagne.

Одбери ја точната форма на придавката gentil во реченицата: J'ai rencontré des filles très _____.

Дополни ја реченицата со правилната форма на придавката américain : Anne est _____.

Дополни ја реченицата со правилната форма на глаголот être: Ils _____ Anglais.

Избери ја точната форма на показната придавка во реченицата: Je connais bien ____ quartier.

16. Француски (Прв странски јазик) - Општо образование

Прашање

Опреди со која од понудените придавки треба да се доврши реченицата : Il est Japonais. Elle est_____

Одговори со која именка треба да се дополни реченицата: Pierre est acteur. Léa est_____

Одговори со кој партитивен член треба да се дополни реченицата: En général, après le déjeuner je bois un café et je mange du pain avec fromage.

Дополни ја реченицата: Marianne et Simonegrec.

Дополни ја реченицата со соодветната форма на participe passéод глаголот rester: Dimanche, je suis..... à la maison .

Одговори која заменка треба да стои во реченицата: Je sors avec mes copines. Je sors avec_____.

Опреди кој предлог треба да стои во реченицата: Mireille travaille.... Espagne.

Одговори која е правилната форма на повратниот глагол se lever во реченицата: Je..... très tôt le matin.

16. Француски (Прв странски јазик) - Општо образование

Прашање

Најди ја точната форма на негацијата на следнава реченица: Je mange de la viande .

Определи го членот што треба да стои во реченицата: J'aime
fromage.

Определи кој партитивен член треба да стои во реченицата: Au petit déjeuner, je mange du pain avec _____ confiture.

Дополни ја реченицата со соодветната форма на глаголот aimer:
Vous _____ le sport?

Избери ја правилната форма на придавката во реченицата: Louis est cuisinier.
Angélique est _____.

Избери ја соодветната релативна замена во реченицата:
Le jeune homme _____ est dans le jardin est mon oncle.

Определи го точниот одговор на прашањето употребувајќи замена за директен предмет: Vous prenez ce tableau ?

Избери го точниот одговор на прашањето: Tu prends cette voiture?

16. Француски (Прв странски јазик) - Општо образование

Прашање

Опреди ја точната форма на глаголот sortir во идно време во реченицата:
Tu _____ avec moi?

Ореди која форма на придавката courageux треба да се употреби во реченицата: La copine de David est _____.

Опреди ја релативната заменка во реченицата: C'est le film j'adore.

Во која од овие реченици е точно употребено времето passé composé ?

Опреди ја неопределената придавка во реченицата: J'invite mes copains chez moi.

Опреди кој член треба да се употреби во реченицата: Véronique sort avec _____ frère de Lucie.

Дополни ја реченицата : Aujourd'hui, Léa va au cinéma.
Hier, _____

Опреди ја точната форма на глаголот avoir во реченицата: Elle _____ 14 ans l'année dernière.

16. Француски (Прв странски јазик) - Општо образование

Прашање

Дополни ја реченицата со глаголот aller : J'adore le cinéma et hier, je voir un film.

Дополни ја реченицата: Tu dois étudier. Alors, _____ !

Дополни ја реченицата со глагол во блиско идно време: Demain, on pour l'Espagne.

Пронајди го вториот дел од негацијата: Vous voulez quelque chose?

Non, je ne veux _____

Определи го соодветниот одговор на прашањето: Vous allez au restaurant?

Одговори кој предлог треба да стои на празното место во реченицата : Je vais _____ l'ami de ma soeur.

Одговори кој слен член ќе го употребиш во реченицата: Tu vas aéroport ?

Одговори со кој партитивен член ќе ја пополниш реченицата: Au déjeuner il aime manger _____ poulet.

16. Француски (Прв странски јазик) - Општо образование

Прашање

Опреди ки од наведените членови одговара во реченицата:
J`achète _____ cadeau pour ma grand-mère.

Употреби ја соодветната показна придавка во следнава реченица:
maison est très jolie.

Доврши ја реченицата: Je travaille avec Marie. Je travaille avec _____.

Одговори ки член треба да се употреби на празното место во реченицата:
Paul rencontre _____ frère de Chloé.

Одговори во која реченица е правилно употребена заменката за индиректен предмет: C`est l`anniversaire de mon frère.

Опреди ки го одговорот на прашањето: Vous allez au marché?

Одговори во која реченица е правилно употребена присвојната придавка при трансформација на следнава реченица: C`est la soeur de Pauline

.

16. Француски (Прв странски јазик) - Општо образование

Прашање

Опреди го предлогот во реченицата: Nous passons le week-end _____ notre grand-mère.

Одговори кој слен член ќе го употребиш во реченицата: Vous allez..... hôtel?

Пополни ја реченицата: Pour le petit déjeuner il boit _____ thé.

Опреди кој од наведените членови одговара во реченицата: J`écris _____ lettre à ma grand- mère.

Дополни ја реченицата со показна придавка: élève est très timide.

Опреди го членот во реченицата: Il aime _____ été.

Дополни ја реченицата: Tu dois écouter cette chanson. Alors, _____ !

Дополни ја реченицата: Je travaille avec Jean et Marie et je sors souvent avec.....

16. Француски (Прв странски јазик) - Општо образование

Прашање

Дополни ја реченицата со соодветната форма на глаголот: Hier, il _____ à la faculté.

Доврши го исказот со глаголот aller во соодветното време: Cet après-midi, au stade, _____ un match de foot.

Со која реченица ќе опишеш карактер на некое лице?

Избери ја реченицата со која одговараме на нечие заблагодарување.

Како се кажува името?

Со кој исказ ќе искажеш одбивање на покана?

Определи го прашањето на следниов одговор: J'ai 17 ans.

16. Француски (Прв странски јазик) - Општо образование

Прашање

Одреди ја реченицата со која прифаќаме покана.

Најди ја реченицата со која опишуваме карактерни црти.

Како може да опишеме физички изглед на некое лице?

Како го искажуваме нашето незадоволство?

Како се кажува цената?

Како се претставуваме?

Со кој исказ ќе го искажеш своето неприфаќање на покана?

Со кој исказ ќе опишеш карактер на некое лице?

16. Француски (Прв странски јазик) - Општо образование

Прашање

Определи со која реченица одговараме на нечие заблагодарување.

Со која од понудените реченици честитаме?

Во која од следниве реченици има опис на физички изглед?

Со која од следниве реченици се искажува задоволство?

Како се заблагодаруваме?

Со која од следниве реченици може да се заблагодариме?

Како ќе бараш информација за временските прилики?

Избери го точниот одговор на прашањето: Je pourrais parler à Mme Legris?

Со која од следниве реченици опишуваме физички изглед?

Определи кое прашање ќе го поставиме за следниов одговор: Très bien, merci.

16. Француски (Прв странски јазик) - Општо образование

Прашање

Кој исказ го употребуваме при извинување?

Пронајди го изразот што означува задоволство.

Одговори како може да опишеме карактер на некое лице.

Најди ја реченицата со која се остава порака на телефон.

Избери ја реченицата со која се заблагодаруваме.

Како може да претставиме некого?

Најди ја реченицата со која може да се искаже покана.

Со кој исказ прифаќаме покана?

Одговори што искажуваме со следниот исказ: Je vous présente mon oncle.

Со кој исказ ќе одбиеш покана?

16. Француски (Прв странски јазик) - Општо образование

Прашање

Како се заблагодаруваме?

Го сретнуваш твојот наставник наутро, како ќе го поздравиш?

Со кој израз се искажува задоволство?

Определи што искажуваме со следниов исказ: *À mon avis, il est Français.*

Со која од следниве реченици искажуваме задоволство?

Што ќе речеш ако некој ти се заблагодари?

Со која од следниве реченици прифаќаме покана?

Избери ја реченицата со која одговараме кога некој ќе ни се заблагодари.

Со која реченица честитаме?

Избери ја реченицата со кој се опишува карактер на некое лице.

16. Француски (Прв странски јазик) - Општо образование

Прашање

Најди ја реченицата со која се покажува патот.

Со кој исказ изразуваме покана?

Одговори со која реченица се искажува незадоволство.

Избери ја реченицата со која се заблагодаруваме

Со која реченица претставуваме некого?

Со кој исказ ќе поканиш некого?

Како може да прифатиме покана?

Определи ја реченицата со која може да поканиме.

Со која од следниве реченици искажуваме наредба?

Како се искажува наредба?

16. Француски (Прв странски јазик) - Општо образование

Прашање

Како ќе посочиш некој предмет?

Како ќе прашаш колку е часот?

Со која од овие реченици се покажува патот?

Со кој исказ ќе се извиниш некому?

Сакаш да го искажеш твоето задоволство. Која реченица ќе употребиш?

Со која реченица се опишува карактер на некое лице ?

Со која реченицата се остава порака на телефон?

Најди го соодветното прашање на следниот одговор: Non, je suis Anglais.

Определи го одговорот на следнава реченица: Je vous prie de m'excuser.

16. Француски (Прв странски јазик) - Општо образование

Прашање

Одговори во која реченица е правилно употребена присвојната придавка: **Ce sont les livres de Louise.**

Избери го правилниот член во реченицата: **Marc aime _____ films français.**

Со реченицата: Je ne suis pas d'accord. искажуваме:

Определи што искажуваме со следниов исказ: **Tous mes voeux de bonheur!**

Определи го точниот одговор на следното прашање: **Qu'est-ce que tu en penses?**

Определи го одговорот на телефонскиот повик: **Je voudrais parler à Madame Patrick.**

Определи го точниот одговор на прашањето: **On arrive à quelle heure?**

16. Француски (Прв странски јазик) - Општо образование

Прашање

Опреди го точниот одговор на исказот: Bonsoir, Madame. Vous allez bien?

Опреди го одговорот на претставувањето: Je m'appelle Claude.

Опреди кој е точниот одговор на следното прашање: Qu'est-ce que vous en pensez?

Одговори на кој начин ќе ја прифатиш следнава покана:
Tu peux venir chez moi samedi ? J'organise une fête.

Со исказот "Avec plaisir" :

Со реченицата: Je regrette. исказуваме:

Реченицата: Qui est à l'appareil? ја употребуваме кога:

Одговори со кој исказ ќе ја одбиеш поканата: Tu vas avec moi au théâtre?

Најди го соодветното прашање на следниот одговор: Non, je suis Américain.

Одговори што исказуваме со реченицата: Il y a une banque par ici?

16. Француски (Прв странски јазик) - Општо образование

Прашање

Одговори што искажуваме со следниот исказ: Je vous présente mon amie.

Изберете го точниот одговор на прашањето: Qu'est-ce que vous désirez, Monsieur?

Определи кое прашање ќе го поставиме за следниов одговор: Très bien, merci.

Определи го одговорот на прашањето: Quel est votre avis?

Определи го точниот одговор на телефонскиот повик: Je voudrais parler à Mademoiselle Blanc, s'il vous plaît.

Определи го точниот одговор на прашањето: Vous venez à quelle heure?

Определи го точниот одговор на изразот: Bonsoir. Excusez-moi, quelle heure est-il?

Определи што ќе речеш ако некој ти го изјави следново: Je vous remercie, Monsieur.

Одговори на кој начин ќе ја прифатиш следнава покана: Vous venez avec moi à la piscine?

16. Француски (Прв странски јазик) - Општо образование

Прашање

Одговори на кој начин ќе ја одбиеш следнава покана: Tu viens chez moi, vendredi?

Опреди го одговорот на следново прашање: Pardon Madame, pour aller à la poste?

Што искажуваме со следнава реченица: Je suis vraiment désolé.

Опреди го одговорот на следново прашање: Quel temps fait-il aujourd'hui?

Прочитај го внимателно текстот и одговори на прашањата.

Je m'appelle Valérie. J'ai quinze ans et je vais en deuxième année du lycée. Je suis née le cinq juin à Tours. J'habite Orsay. Ma mère est institutrice. Mon père est chirurgien à Paris. J'ai une sœur, Laure. Elle a 21 ans et elle est étudiante à Grenoble. Elle vit seule.

J'aime écrire de la poésie et lire. Je fais de la natation quand je suis libre.

Je voudrais correspondre avec de jeunes filles des États-Unis.

Текстот е

:

16. Француски (Прв странски јазик) - Општо образование

Прашање

Прочитај го внимателно текстот и одговори на прашањата.

Je m'appelle Valérie. J'ai quinze ans et je vais en deuxième année du lycée. Je suis née le cinq juin à Tours. J'habite Orsay. Ma mère est institutrice. Mon père est chirurgien à Paris. J'ai une sœur, Laure. Elle a 21 ans et elle est étudiante à Grenoble. Elle vit seule. J'aime écrire de la poésie et lire. Je fais de la natation quand je suis libre. Je voudrais correspondre avec de jeunes filles des États-Unis.

Валерија има

:

16. Француски (Прв странски јазик) - Општо образование

Прашање

Прочитај го внимателно текстот и одговори на прашањата. Je m'appelle Valérie. J'ai quinze ans et je vais en deuxième année du lycée. Je suis née le cinq juin à Tours. J'habite Orsay. Ma mère est institutrice. Mon père est chirurgien à Paris. J'ai une sœur, Laure. Elle a 21 ans et elle est étudiante à Grenoble. Elle vit seule. J'aime écrire de la poésie et lire. Je fais de la natation quand je suis libre. Je voudrais correspondre avec de jeunes filles des États-Unis.

Валерија е родена на
:

16. Француски (Прв странски јазик) - Општо образование

Прашање

Прочитај го внимателно текстот и одговори на прашањата.

Je m'appelle Valérie. J'ai quinze ans et je vais en deuxième année du lycée. Je suis née le cinq juin à Tours. J'habite Orsay. Ma mère est institutrice. Mon père est chirurgien à Paris. J'ai une sœur, Laure. Elle a 21 ans et elle est étudiante à Grenoble. Elle vit seule. J'aime écrire de la poésie et lire. Je fais de la natation quand je suis libre. Je voudrais correspondre avec de jeunes filles des États-Unis.

Валерија живее

:

Прочитај го внимателно текстот и одговори на прашањата. Je m'appelle Valérie. J'ai quinze ans et je vais en deuxième année du lycée. Je suis née le cinq juin à Tours. J'habite Orsay. Ma mère est institutrice. Mon père est chirurgien à Paris. J'ai une sœur, Laure. Elle a 21 ans et elle est étudiante à Grenoble. Elle vit seule. J'aime écrire de la poésie et lire. Je fais de la natation quand je suis libre. Je voudrais correspondre avec de jeunes filles des États-Unis. **Каде работи мајка ѝ на Валерија?**

16. Француски (Прв странски јазик) - Општо образование

Прашање

Прочитај го внимателно текстот и одговори на прашањата.

Je m'appelle Valérie. J'ai quinze ans et je vais en deuxième année du lycée. Je suis née le cinq juin à Tours. J'habite Orsay. Ma mère est institutrice. Mon père est chirurgien à Paris. J'ai une sœur, Laure. Elle a 21 ans et elle est étudiante à Grenoble. Elle vit seule.

J'aime écrire de la poésie et lire. Je fais de la natation quand je suis libre.

Je voudrais correspondre avec de jeunes filles des États-Unis.

Каде работи татко ѝ на Валерија?

Прочитај го внимателно текстот и одговори на прашањата.

Je m'appelle Valérie. J'ai quinze ans et je vais en deuxième année du lycée. Je suis née le cinq juin à Tours. J'habite Orsay. Ma mère est institutrice. Mon père est chirurgien à Paris. J'ai une sœur, Laure. Elle a 21 ans et elle est étudiante à Grenoble. Elle vit seule.

J'aime écrire de la poésie et lire. Je fais de la natation quand je suis libre.

Je voudrais correspondre avec de jeunes filles des États-Unis.

Професијата на Валерија е:

16. Француски (Прв странски јазик) - Општо образование

Прашање

Прочитај го внимателно текстот и одговори на прашањата.

Je m'appelle Valérie. J'ai quinze ans et je vais en deuxième année du lycée. Je suis née le cinq juin à Tours. J'habite Orsay. Ma mère est institutrice. Mon père est chirurgien à Paris. J'ai une sœur, Laure. Elle a 21 ans et elle est étudiante à Grenoble. Elle vit seule. J'aime écrire de la poésie et lire. Je fais de la natation quand je suis libre. Je voudrais correspondre avec de jeunes filles des États-Unis.

Со што се занимава Валерија кога е слободна?

16. Француски (Прв странски јазик) - Општо образование

Прашање

Прочитај го внимателно текстот и одговори на прашањата.

Je m'appelle Valérie. J'ai quinze ans et je vais en deuxième année du lycée. Je suis née le cinq juin à Tours. J'habite Orsay. Ma mère est institutrice. Mon père est chirurgien à Paris. J'ai une sœur, Laure. Elle a 21 ans et elle est étudiante à Grenoble. Elle vit seule.

J'aime écrire de la poésie et lire. Je fais de la natation quand je suis libre.

Je voudrais correspondre avec de jeunes filles des États-Unis.

Што сака Валерија?

16. Француски (Прв странски јазик) - Општо образование

Прашање

Прочитај го внимателно текстот и одговори на прашањата.

Je m'appelle Valérie. J'ai quinze ans et je vais en deuxième année du lycée. Je suis née le cinq juin à Tours. J'habite Orsay. Ma mère est institutrice. Mon père est chirurgien à Paris. J'ai une sœur, Laure. Elle a 21 ans et elle est étudiante à Grenoble. Elle vit seule.

J'aime écrire de la poésie et lire. Je fais de la natation quand je suis libre.

Je voudrais correspondre avec de jeunes filles des États-Unis.

Сестра ѝ на Валерија живее:

16. Француски (Прв странски јазик) - Општо образование

Прашање

Прочитај го внимателно текстот и одговори на прашањата.

Opéra de la Cité Internationale
35, Bd de la Liberté
75015 Paris

Paris, le 5 septembre 2013

Chères spectatrices, chers spectateurs

Pour nos abonnés, nous organisons à l'opéra une soirée de présentation de notre programme pour la saison 2013, le samedi 20 septembre à 19 heures, vous êtes les bienvenus. Un cocktail suivra.

Si vous voulez bénéficier d'un nouvel abonnement, ou d'offres exceptionnelles, appelez des maintenant Catherine , responsable des relations avec le public. Téléphonez à Mme Lénaut au numéro 01 46 15 60 55.

Nous comptons sur votre présence parmi nous le 20 septembre.

Cordialement,

François Bertrand
Directeur de l'Opéra

Текстот е

:

16. Француски (Прв странски јазик) - Општо образование

Прашање

Прочитај го внимателно текстот и одговори на прашањата.

Romuald,
Claude vient d'appeler. La fête de samedi à 20h est annulée.
Tu dois appeler aujourd'hui Dominique pour lui dire la nouvelle.

Jeanne

За каков тип документ станува збор?

16. Француски (Прв странски јазик) - Општо образование

Прашање

Прочитај го внимателно текстот и одговори на прашањата.

Romuald,
Claude vient d'appeler. La fête de samedi à 20h est annulée.
Tu dois appeler aujourd'hui Dominique pour lui dire la nouvelle.

Jeanne

Кој го пишува текстот?

16. Француски (Прв странски јазик) - Општо образование

Прашање

Прочитај го внимателно текстот и одговори на прашањата.

Opéra de la Cité Internationale
35, Bd de la Liberté
75015 Paris

Paris, le 5 septembre 2013

Chères spectatrices, chers spectateurs

Pour nos abonnés, nous organisons à l'opéra une soirée de présentation de notre programme pour la saison 2013, le samedi 20 septembre à 19 heures, vous êtes les bienvenus. Un cocktail suivra.

Si vous voulez bénéficier d'un nouvel abonnement, ou d'offres exceptionnelles, appelez des maintenant Catherine , responsable des relations avec le public. Téléphonez à Mme Lénaut au numéro 01 46 15 60 55.

Nous comptons sur votre présence parmi nous le 20 septembre.

Cordialement,
François Bertrand
Directeur de l'Opéra

**Што се случува на 20 септември
?**

16. Француски (Прв странски јазик) - Општо образование

Прашање

Прочитај го внимателно текстот и одговори на прашањата.

Romuald,
Claude vient d'appeler. La fête de samedi à 20h est annulée.
Tu dois appeler aujourd'hui Dominique pour lui dire la nouvelle.

Jeanne

Предмет на текстот е:

Прочитај го внимателно текстот и одговори на прашањата.

Romuald,
Claude vient d'appeler. La fête de samedi à 20h est annulée.
Tu dois appeler aujourd'hui Dominique pour lui dire la nouvelle.

Jeanne

Во текстот се дознава дека:

16. Француски (Прв странски јазик) - Општо образование

Прашање

Прочитај го внимателно текстот и одговори на прашањата.

Opéra de la Cité Internationale
35, Bd de la Liberté
75015 Paris

Paris, le 5 septembre 2013

Chères spectatrices, chers spectateurs

Pour nos abonnés, nous organisons à l'opéra une soirée de présentation de notre programme pour la saison 2013, le samedi 20 septembre à 19 heures, vous êtes les bienvenus. Un cocktail suivra.

Si vous voulez bénéficier d'un nouvel abonnement, ou d'offres exceptionnelles, appelez des maintenant Catherine , responsable des relations avec le public. Téléphonez à Mme Lénaut au numéro 01 46 15 60 55.

Nous comptons sur votre présence parmi nous le 20 septembre.

Cordialement,
François Bertrand
Directeur de l'Opéra

Што следува по презентацијата?

16. Француски (Прв странски јазик) - Општо образование

Прашање

Прочитај го внимателно текстот и одговори на прашањата.

Salut Marie,
Comment vas-tu? Comme tu le sais, Félix part bientôt à la découverte du Japon.
J'organise une petite fête chez moi vendredi pour son départ. Je t'attends près
de la fontaine de la vieille ville à 20 heures. Tu vas venir?
J'attends ta réponse.
A bientôt.
Rémy

Текстот е:

16. Француски (Прв странски јазик) - Општо образование

Прашање

Прочитај го внимателно текстот и одговори на прашањата.

Opéra de la Cité Internationale
35, Bd de la Liberté
75015 Paris

Paris, le 5 septembre 2013

Chères spectatrices, chers spectateurs

Pour nos abonnés, nous organisons à l'opéra une soirée de présentation de notre programme pour la saison 2013, le samedi 20 septembre à 19 heures, vous êtes les bienvenus. Un cocktail suivra.

Si vous voulez bénéficier d'un nouvel abonnement, ou d'offres exceptionnelles, appelez des maintenant Catherine , responsable des relations avec le public. Téléphonnez à Mme Lénaut au numéro 01 46 15 60 55.

Nous comptons sur votre présence parmi nous le 20 septembre.

Cordialement,
François Bertrand
Directeur de l'Opéra

Во колку часот ќе се одржи настанот?

16. Француски (Прв странски јазик) - Општо образование

Прашање

Прочитај го внимателно текстот и одговори на прашањата.

Salut Marie,
Comment vas-tu? Comme tu le sais, Félix part bientôt à la découverte du Japon.
J'organise une petite fête chez moi vendredi pour son départ. Je t'attends près
de la fontaine de la vieille ville à 20 heures. Tu vas venir?
J'attends ta réponse.
A bientôt.
Rémy

Целта на текстот е:

16. Француски (Прв странски јазик) - Општо образование

Прашање

Прочитај го внимателно текстот и одговори на прашањата.

Salut Marie,
Comment vas-tu? Comme tu le sais, Félix part bientôt à la découverte du Japon.
J'organise une petite fête chez moi vendredi pour son départ. Je t'attends près
de la fontaine de la vieille ville à 20 heures. Tu vas venir?
J'attends ta réponse.
A bientôt.
Rémy

Што очекува Реми од Марија?

16. Француски (Прв странски јазик) - Општо образование

Прашање

Прочитај го внимателно текстот и одговори на прашањата.

Salut Marie,
Comment vas-tu? Comme tu le sais, Félix part bientôt à la découverte du Japon.
J'organise une petite fête chez moi vendredi pour son départ. Je t'attends près
de la fontaine de la vieille ville à 20 heures. Tu vas venir?
J'attends ta réponse.
A bientôt.
Rémy

Кој ден од неделата е спомнат во текстот?

16. Француски (Прв странски јазик) - Општо образование

Прашање

Прочитај го внимателно текстот и одговори на прашањата.

Salut Marie,
Comment vas-tu? Comme tu le sais, Félix part bientôt à la découverte du Japon.
J'organise une petite fête chez moi vendredi pour son départ. Je t'attends près
de la fontaine de la vieille ville à 20 heures. Tu vas venir?
J'attends ta réponse.
A bientôt.
Rémy

Во кое време од денот е состанокот?

16. Француски (Прв странски јазик) - Општо образование

Прашање

Прочитај го внимателно текстот и одговори на прашањата.

Opéra de la Cité Internationale
35, Bd de la Liberté
75015 Paris

Paris, le 5 septembre 2013

Chères spectatrices, chers spectateurs

Pour nos abonnés, nous organisons à l'opéra une soirée de présentation de notre programme pour la saison 2013, le samedi 20 septembre à 19 heures, vous êtes les bienvenus. Un cocktail suivra.

Si vous voulez bénéficier d'un nouvel abonnement, ou d'offres exceptionnelles, appelez des maintenant Catherine , responsable des relations avec le public. Téléphonez à Mme Lénaut au numéro 01 46 15 60 55.

Nous comptons sur votre présence parmi nous le 20 septembre.

Cordialement,
François Bertrand
Directeur de l'Opéra

Со која цел е напишано писмото?

16. Француски (Прв странски јазик) - Општо образование

Прашање

Прочитај го внимателно текстот и одговори на прашањата.

Salut Marie,
Comment vas-tu? Comme tu le sais, Félix part bientôt à la découverte du Japon.
J'organise une petite fête chez moi vendredi pour son départ. Je t'attends près
de la fontaine de la vieille ville à 20 heures. Tu vas venir?
J'attends ta réponse.
A bientôt.
Rémy

Зошто Реми ја организира забавата?

16. Француски (Прв странски јазик) - Општо образование

Прашање

Прочитај го внимателно текстот и одговори на прашањата.

Opéra de la Cité Internationale
35, Bd de la Liberté
75015 Paris

Paris, le 5 septembre 2013

Chères spectatrices, chers spectateurs

Pour nos abonnés, nous organisons à l'opéra une soirée de présentation de notre programme pour la saison 2013, le samedi 20 septembre à 19 heures, vous êtes les bienvenus. Un cocktail suivra.

Si vous voulez bénéficier d'un nouvel abonnement, ou d'offres exceptionnelles, appelez des maintenant Catherine , responsable des relations avec le public. Téléphonez à Mme Lénaut au numéro 01 46 15 60 55.

Nous comptons sur votre présence parmi nous le 20 septembre.

Cordialement,
François Bertrand
Directeur de l'Opéra

Која е Катерина?

16. Француски (Прв странски јазик) - Општо образование

Прашање

Прочитај го внимателно текстот и одговори на прашањата.

Salut Marie,
Comment vas-tu? Comme tu le sais, Félix part bientôt à la découverte du Japon.
J'organise une petite fête chez moi vendredi pour son départ. Je t'attends près
de la fontaine de la vieille ville à 20 heures. Tu vas venir?
J'attends ta réponse.
A bientôt.
Rémy

Каде се организира забавата?

16. Француски (Прв странски јазик) - Општо образование

Прашање

Прочитај го внимателно текстот и одговори на прашањата.

Opéra de la Cité Internationale
35, Bd de la Liberté
75015 Paris

Paris, le 5 septembre 2013

Chères spectatrices, chers spectateurs

Pour nos abonnés, nous organisons à l'opéra une soirée de présentation de notre programme pour la saison 2013, le samedi 20 septembre à 19 heures, vous êtes les bienvenus. Un cocktail suivra.

Si vous voulez bénéficier d'un nouvel abonnement, ou d'offres exceptionnelles, appelez des maintenant Catherine , responsable des relations avec le public. Téléphonez à Mme Lénaut au numéro 01 46 15 60 55.

Nous comptons sur votre présence parmi nous le 20 septembre.

Cordialement,
François Bertrand
Directeur de l'Opéra

За какво писмо станува збор?

16. Француски (Прв странски јазик) - Општо образование

Прашање

Прочитај го внимателно текстот и одговори на прашањата.

Cher Jeanne,

Nous sommes en vacances à Bordeaux. Il fait beau et nous nous reposons. Les enfants sont contents, ils jouent sur la plage et vont se baigner dans la mer. Michel va à la pêche. Nous rentrons à Paris la semaine prochaine.

Grosses bises,
Laure

Текстот е:

16. Француски (Прв странски јазик) - Општо образование

Прашање

Прочитај го внимателно текстот и одговори на прашањата.

Opéra de la Cité Internationale
35, Bd de la Liberté
75015 Paris

Paris, le 5 septembre 2013

Chères spectatrices, chers spectateurs

Pour nos abonnés, nous organisons à l'opéra une soirée de présentation de notre programme pour la saison 2013, le samedi 20 septembre à 19 heures, vous êtes les bienvenus. Un cocktail suivra.

Si vous voulez bénéficier d'un nouvel abonnement, ou d'offres exceptionnelles, appelez des maintenant Catherine , responsable des relations avec le public. Téléphonnez à Mme Lénaut au numéro 01 46 15 60 55.

Nous comptons sur votre présence parmi nous le 20 septembre.

Cordialement,
François Bertrand
Directeur de l'Opéra

Каде се одржува настанот?

16. Француски (Прв странски јазик) - Општо образование

Прашање

Прочитај го внимателно текстот и одговори на прашањата.

Cher Jeanne,

Nous sommes en vacances à Bordeaux. Il fait beau et nous nous reposons. Les enfants sont contents, ils jouent sur la plage et vont se baigner dans la mer.

Michel va à la pêche.

Nous rentrons à Paris la semaine prochaine.

Grosses bises,

Laure

Кој го пишува текстот?

16. Француски (Прв странски јазик) - Општо образование

Прашање

Прочитај го внимателно текстот и одговори на прашањата.

Opéra de la Cité Internationale
35, Bd de la Liberté
75015 Paris

Paris, le 5 septembre 2013

Chères spectatrices, chers spectateurs

Pour nos abonnés, nous organisons à l'opéra une soirée de présentation de notre programme pour la saison 2013, le samedi 20 septembre à 19 heures, vous êtes les bienvenus. Un cocktail suivra.

Si vous voulez bénéficier d'un nouvel abonnement, ou d'offres exceptionnelles, appelez des maintenant Catherine , responsable des relations avec le public. Téléphonez à Mme Lénaut au numéro 01 46 15 60 55.

Nous comptons sur votre présence parmi nous le 20 septembre.

Cordialement,
François Bertrand
Directeur de l'Opéra

Катерина треба да ја контактираат по:

16. Француски (Прв странски јазик) - Општо образование

Прашање

Прочитај го внимателно текстот и одговори на прашањата.

Cher Jeanne,

Nous sommes en vacances à Bordeaux. Il fait beau et nous nous reposons. Les enfants sont contents, ils jouent sur la plage et vont se baigner dans la mer.

Michel va à la pêche.

Nous rentrons à Paris la semaine prochaine.

Grosses bises,

Laure

Мишел на Лора

й

е:

16. Француски (Прв странски јазик) - Општо образование

Прашање

Прочитај го внимателно текстот и одговори на прашањата.

Opéra de la Cité Internationale
35, Bd de la Liberté
75015 Paris

Paris, le 5 septembre 2013

Chères spectatrices, chers spectateurs

Pour nos abonnés, nous organisons à l'opéra une soirée de présentation de notre programme pour la saison 2013, le samedi 20 septembre à 19 heures, vous êtes les bienvenus. Un cocktail suivra.

Si vous voulez bénéficier d'un nouvel abonnement, ou d'offres exceptionnelles, appelez des maintenant Catherine , responsable des relations avec le public. Téléphonez à Mme Lénaut au numéro 01 46 15 60 55.

Nous comptons sur votre présence parmi nous le 20 septembre.

Cordialement,
François Bertrand
Directeur de l'Opéra

За кого се организира настанот?

16. Француски (Прв странски јазик) - Општо образование

Прашање

Прочитај го внимателно текстот и одговори на прашањата.

Cher Jeanne,

Nous sommes en vacances à Bordeaux. Il fait beau et nous nous reposons. Les enfants sont contents, ils jouent sur la plage et vont se baigner dans la mer.

Michel va à la pêche.

Nous rentrons à Paris la semaine prochaine.

Grosses bises,

Laure

Зошто е Лора во Бордо?

16. Француски (Прв странски јазик) - Општо образование

Прашање

Прочитај го внимателно текстот и одговори на прашањата.

Opéra de la Cité Internationale
35, Bd de la Liberté
75015 Paris

Paris, le 5 septembre 2013

Chères spectatrices, chers spectateurs

Pour nos abonnés, nous organisons à l'opéra une soirée de présentation de notre programme pour la saison 2013, le samedi 20 septembre à 19 heures, vous êtes les bienvenus. Un cocktail suivra.

Si vous voulez bénéficier d'un nouvel abonnement, ou d'offres exceptionnelles, appelez des maintenant Catherine , responsable des relations avec le public. Téléphonez à Mme Lénaut au numéro 01 46 15 60 55.

Nous comptons sur votre présence parmi nous le 20 septembre.

Cordialement,
François Bertrand
Directeur de l'Opéra

Името на директорот е:

16. Француски (Прв странски јазик) - Општо образование

Прашање

Прочитај го внимателно текстот и одговорете на прашањата.

Je m'appelle Florence. J'ai seize ans . J'ai deux frères, Marc et Victor, qui sont encore au lycée. Moi, l'école, je ne l'aimais pas beaucoup. J'ai commencé très tôt à travailler dans un bar qui se trouve rue de la Victoire. Le travail m'intéresse vraiment parce que les rencontres avec des jeunes tous les jours, c'est une passion pour moi.

Колку години има Флоренца?

16. Француски (Прв странски јазик) - Општо образование

Прашање

Прочитај го внимателно текстот и одговорете на прашањата.

Je m'appelle Florence. J'ai seize ans . J'ai deux frères, Marc et Victor, qui sont encore au lycée. Moi, l'école, je ne l'aimais pas beaucoup. J'ai commencé très tôt à travailler dans un bar qui se trouve rue de la Victoire. Le travail m'intéresse vraiment parce que les rencontres avec des jeunes tous les jours, c'est une passion pour moi.

Која е професијата на Флоренца?

Прочитај го внимателно текстот и одговорете на прашањата.

Je m'appelle Florence. J'ai seize ans . J'ai deux frères, Marc et Victor, qui sont encore au lycée. Moi, l'école, je ne l'aimais pas beaucoup. J'ai commencé très tôt à travailler dans un bar qui se trouve rue de la Victoire. Le travail m'intéresse vraiment parce que les rencontres avec des jeunes tous les jours, c'est une passion pour moi.

Браката на Флоренца се

:

16. Француски (Прв странски јазик) - Општо образование

Прашање

Прочитај го внимателно текстот и одговорете на прашањата.

Je m'appelle Florence. J'ai seize ans . J'ai deux frères, Marc et Victor, qui sont encore au lycée. Moi, l'école, je ne l'aimais pas beaucoup. J'ai commencé très tôt à travailler dans un bar qui se trouve rue de la Victoire. Le travail m'intéresse vraiment parce que les rencontres avec des jeunes tous les jours, c'est une passion pour moi.

Што обожава Флоренца?

Прочитај го внимателно текстот и одговори на прашањата.

Cher Albert,
Je fête mes 16 ans vendredi le 22 mai chez moi.
Téléphone-moi avant le 20 mai.
Tu peux venir avec tes copines Sylvie et Chloé.

Martine Boucher
12 Impasse 29000 Bordeaux
Tel. 05 34 45 50
bouchermt@bordeaux.com

Текстот е напишан со цел:

16. Француски (Прв странски јазик) - Општо образование

Прашање

Прочитај го внимателно текстот и одговори на прашањата.

Cher Albert,
Je fête mes 16 ans vendredi le 22 mai chez moi.
Téléphone-moi avant le 20 mai.
Tu peux venir avec tes copines Sylvie et Chloé.

Martine Boucher
12 Impasse 29000 Bordeaux
Tel. 05 34 45 50
bouchermt@bordeaux.com

Во текстот станува збор за забава по повод:

Прочитај го внимателно текстот и одговори на прашањата.

Cher Albert,
Je fête mes 16 ans vendredi le 22 mai chez moi.
Téléphone-moi avant le 20 mai.
Tu peux venir avec tes copines Sylvie et Chloé.

Martine Boucher
12 Impasse 29000 Bordeaux
Tel. 05 34 45 50
bouchermt@bordeaux.com

Каде се одржува забавата?

16. Француски (Прв странски јазик) - Општо образование

Прашање

Прочитај го внимателно текстот и одговори на прашањата.

Cher Albert,
Je fête mes 16 ans vendredi le 22 mai chez moi.
Téléphone-moi avant le 20 mai.
Tu peux venir avec tes copines Sylvie et Chloé.

Martine Boucher
12 Impasse 29000 Bordeaux
Tel. 05 34 45 50
bouchermt@bordeaux.com

Забавата ќе се одржи на:

16. Француски (Прв странски јазик) - Општо образование

Прашање

Прочитај го внимателно текстот и одговори на прашањата.

Cher Albert,
Je fête mes 16 ans vendredi le 22 mai chez moi.
Téléphone-moi avant le 20 mai.
Tu peux venir avec tes copines Sylvie et Chloé.

Martine Boucher
12 Impasse 29000 Bordeaux
Tel. 05 34 45 50
bouchermt@bordeaux.com

Кој ја организира забавата?

16. Француски (Прв странски јазик) - Општо образование

Прашање

Прочитај го внимателно текстот и одговори на прашањата.

Cher Albert,
Je fête mes 16 ans vendredi le 22 mai chez moi.
Téléphone-moi avant le 20 mai.
Tu peux venir avec tes copines Sylvie et Chloé.

Martine Boucher
12 Impasse 29000 Bordeaux
Tel. 05 34 45 50
bouchermt@bordeaux.com

Авторот на текстот предлага:

16. Француски (Прв странски јазик) - Општо образование

Прашање

Прочитај го внимателно текстот и одговори на прашањата.

Cher Albert,
Je fête mes 16 ans vendredi le 22 mai chez moi.
Téléphone-moi avant le 20 mai.
Tu peux venir avec tes copines Sylvie et Chloé.

Martine Boucher
12 Impasse 29000 Bordeaux
Tel. 05 34 45 50
bouchermt@bordeaux.com

Која е врската на Силви и Клое со Албер и Мартина?

16. Француски (Прв странски јазик) - Општо образование

Прашање

Прочитај го внимателно текстот и одговори на прашањата.

Cher Albert,
Je fête mes 16 ans vendredi le 22 mai chez moi.
Téléphone-moi avant le 20 mai.
Tu peux venir avec tes copines Sylvie et Chloé.

Martine Boucher
12 Impasse 29000 Bordeaux
Tel. 05 34 45 50
bouchermt@bordeaux.com

Колку години има Мартина?

16. Француски (Прв странски јазик) - Општо образование

Прашање

Прочитај го внимателно текстот и одговори на прашањата.

Grande villa, 150 m² à la campagne. Grand jardin pour les enfants. Calme à côté de la mer.

Loyer 900 Euros par mois.

01 33 97 92 82

Текстот претставува:

16. Француски (Прв странски јазик) - Општо образование

Прашање

Прочитај го внимателно текстот и одговори на прашањата.

Grande villa, 150 m² à la campagne. Grand jardin pour les enfants. Calme à côté de la mer.

Loyer 900 Euros par mois.

01 33 97 92 82

Во текстот станува збор за:

16. Француски (Прв странски јазик) - Општо образование

Прашање

Прочитај го внимателно текстот и одговори на прашањата.

Grande villa, 150 m² à la campagne. Grand jardin pour les enfants. Calme à côté de la mer.
Loyer 900 Euros par mois.
01 33 97 92 82

Понудата најмногу одговара на:

Прочитај го внимателно текстот и одговори на прашањата.

Grande villa, 150 m² à la campagne. Grand jardin pour les enfants. Calme à côté de la mer.
Loyer 900 Euros par mois.
01 33 97 92 82

Локацијата е:

16. Француски (Прв странски јазик) - Општо образование

Прашање

Прочитај го внимателно текстот и одговори на прашањата.

Perpignan, le 10 juin

Salut Christian,

L'été arrive le 21 juin et les beaux jours sont là. Pour fêter cela, j'organise un barbecue à la campagne dans 15 jours, le 25 juin.

Nous t'attendons à 11 heures avec toute ta petite famille (je compte sur ta femme pour apporter un dessert).

Envoie-moi un mot pour confirmer votre présence.

A bientôt,

Paul

Текстот претставува:

16. Француски (Прв странски јазик) - Општо образование

Прашање

Прочитај го внимателно текстот и одговори на прашањата.

Perpignan, le 10 juin

Salut Christian,

L'été arrive le 21 juin et les beaux jours sont là. Pour fêter cela, j'organise un barbecue à la campagne dans 15 jours, le 25 juin.

Nous t'attendons à 11 heures avec toute ta petite famille (je compte sur ta femme pour apporter un dessert).

Envoie-moi un mot pour confirmer votre présence.

A bientôt,

Paul

Целта на текстот е:

16. Француски (Прв странски јазик) - Општо образование

Прашање

Прочитај го внимателно текстот и одговори на прашањата.

Perpignan, le 10 juin

Salut Christian,

L'été arrive le 21 juin et les beaux jours sont là. Pour fêter cela, j'organise un barbecue à la campagne dans 15 jours, le 25 juin.

Nous t'attendons à 11 heures avec toute ta petite famille (je compte sur ta femme pour apporter un dessert).

Envoie-moi un mot pour confirmer votre présence.

A bientôt,

Paul

Пол предлага да се сретне со пријателите на:

16. Француски (Прв странски јазик) - Општо образование

Прашање

Прочитај го внимателно текстот и одговори на прашањата.

Perpignan, le 10 juin

Salut Christian,

L'été arrive le 21 juin et les beaux jours sont là. Pour fêter cela, j'organise un barbecue à la campagne dans 15 jours, le 25 juin.

Nous t'attendons à 11 heures avec toute ta petite famille (je compte sur ta femme pour apporter un dessert).

Envoie-moi un mot pour confirmer votre présence.

A bientôt,

Paul

Во кое време од денот е забавата?

16. Француски (Прв странски јазик) - Општо образование

Прашање

Прочитај го внимателно текстот и одговори на прашањата.

Perpignan, le 10 juin

Salut Christian,

L'été arrive le 21 juin et les beaux jours sont là. Pour fêter cela, j'organise un barbecue à la campagne dans 15 jours, le 25 juin.

Nous t'attendons à 11 heures avec toute ta petite famille (je compte sur ta femme pour apporter un dessert).

Envoie-moi un mot pour confirmer votre présence.

A bientôt,

Каде се организира забавата?

Paul

16. Француски (Прв странски јазик) - Општо образование

Прашање

Прочитај го внимателно текстот и одговори на прашањата.

Perpignan, le 10 juin

Salut Christian,

L'été arrive le 21 juin et les beaux jours sont là. Pour fêter cela, j'organise un barbecue à la campagne dans 15 jours, le 25 juin.

Nous t'attendons à 11 heures avec toute ta petite famille (je compte sur ta femme pour apporter un dessert).

Envoie-moi un mot pour confirmer votre présence.

A bientôt,

Paul

Со Кристијан ќе дојдат и:

16. Француски (Прв странски јазик) - Општо образование

Прашање

Прочитај го внимателно текстот и одговори на прашањата.

Perpignan, le 10 juin

Salut Christian,

L'été arrive le 21 juin et les beaux jours sont là. Pour fêter cela, j'organise un barbecue à la campagne dans 15 jours, le 25 juin.

Nous t'attendons à 11 heures avec toute ta petite famille (je compte sur ta femme pour apporter un dessert).

Envoie-moi un mot pour confirmer votre présence.

A bientôt,

Paul

Пол очекува од госите да донесат:

16. Француски (Прв странски јазик) - Општо образование

Прашање

Прочитај го внимателно текстот и одговори на прашањата.

Perpignan, le 10 juin

Salut Christian,

L'été arrive le 21 juin et les beaux jours sont là. Pour fêter cela, j'organise un barbecue à la campagne dans 15 jours, le 25 juin.

Nous t'attendons à 11 heures avec toute ta petite famille (je compte sur ta femme pour apporter un dessert).

Envoie-moi un mot pour confirmer votre présence.

A bientôt,

Paul

Што треба да направи Кристијан?

16. Француски (Прв странски јазик) - Општо образование

Прашање

Прочитај го внимателно текстот и одговори на прашањата.

Denis fête ses 30 ans
Le samedi 15 juin 2014
à la salle des fêtes de Cannes
Réponse souhaitée avant le 30 mai

Denis et Christine Leroy
2 rue des Fetes
64140 Cannes
03 24 53 54 64
denisleroy@courriel.fr

Текстот претставува:

16. Француски (Прв странски јазик) - Општо образование

Прашање

Прочитај го внимателно текстот и одговори на прашањата.

Denis fête ses 30 ans
Le samedi 15 juin 2014
à la salle des fêtes de Cannes
Réponse souhaitée avant le 30 mai

Denis et Christine Leroy
2 rue des Fêtes
64140 Cannes
03 24 53 54 64
denisleroy@courriel.fr

Забавата се организира по повод:

16. Француски (Прв странски јазик) - Општо образование

Прашање

Прочитај го внимателно текстот и одговори на прашањата.

Denis fête ses 30 ans
Le samedi 15 juin 2014
à la salle des fêtes de Cannes
Réponse souhaitée avant le 30 mai

Denis et Christine Leroy
2 rue des Fêtes
64140 Cannes
03 24 53 54 64
denisleroy@courriel.fr

Каде се одржува забавата?

16. Француски (Прв странски јазик) - Општо образование

Прашање

Прочитај го внимателно текстот и одговори на прашањата.

Denis fête ses 30 ans
Le samedi 15 juin 2014
à la salle des fêtes de Cannes
Réponse souhaitée avant le 30 mai

Denis et Christine Leroy
2 rue des Fêtes
64140 Cannes
03 24 53 54 64
denisleroy@courriel.fr

Што препорачуваат Денис и Кристина?

16. Француски (Прв странски јазик) - Општо образование

Прашање

Прочитај го внимателно текстот и одговори на прашањата.

Marseille, le 15 juin 2014

Chers parents,

J'ai réservé un vol pour samedi le 5 juillet à 20h. Jean rentre avec moi. Rendez-vous au restaurant *Chez Paul*. Passez un grand bonjour à ma soeur.

Bises
Chantal

Текстот претставува
:

Прочитај го внимателно текстот и одговори на прашањата.

Marseille, le 15 juin 2014

Chers parents,

J'ai réservé un vol pour samedi le 5 juillet à 20h. Jean rentre avec moi. Rendez-vous au restaurant *Chez Paul*. Passez un grand bonjour à ma soeur.

Bises
Chantal

Кога пристигнува Шантал
?

16. Француски (Прв странски јазик) - Општо образование

Прашање

Прочитај го внимателно текстот и одговори на прашањата.

Marseille, le 15 juin 2014

Chers parents,

J'ai réservé un vol pour samedi le 5 juillet à 20h. Jean rentre avec moi. Rendez-vous au restaurant *Chez Paul*. Passez un grand bonjour à ma soeur.

Bises
Chantal

**Кому му пишува Шантал
?**

16. Француски (Прв странски јазик) - Општо образование

Прашање

Прочитај го внимателно текстот и одговори на прашањата.

Marseille, le 15 juin 2014

Chers parents,

J'ai réservé un vol pour samedi le 5 juillet à 20h. Jean rentre avec moi. Rendez-vous au restaurant *Chez Paul*. Passez un grand bonjour à ma soeur.

Bises
Chantal

Колку деца имаат родителите на Шантал ?

Прочитај го внимателно текстот и одговори на прашањата.

Marseille, le 15 juin 2014

Chers parents,

J'ai réservé un vol pour samedi le 5 juillet à 20h. Jean rentre avec moi. Rendez-vous au restaurant *Chez Paul*. Passez un grand bonjour à ma soeur.

Bises
Chantal

Каде ќе има средба Шантал?

16. Француски (Прв странски јазик) - Општо образование

Прашање

Прочитај го внимателно текстот и одговори на прашањата.

Marseille, le 15 juin 2014

Chers parents,

J'ai réservé un vol pour samedi le 5 juillet à 20h. Jean rentre avec moi. Rendez-vous au restaurant *Chez Paul*. Passez un grand bonjour à ma soeur.

Bises
Chantal

Кого поздравува Шантал?

Прочитај го внимателно текстот и одговори на прашањата.

Marseille, le 15 juin 2014

Chers parents,

J'ai réservé un vol pour samedi le 5 juillet à 20h. Jean rentre avec moi. Rendez-vous au restaurant *Chez Paul*. Passez un grand bonjour à ma soeur.

Bises
Chantal

Со кое превозно средство ќе патува Шантал?

16. Француски (Прв странски јазик) - Општо образование

Прашање

Прочитај го внимателно текстот и одговори на прашањата.

Marseille, le 15 juin 2014

Chers parents,

J'ai réservé un vol pour samedi le 5 juillet à 20h. Jean rentre avec moi.
Rendez-vous au restaurant *Chez Paul*. Passez un grand bonjour à ma
soeur.

Bises
Chantal

Каде се враќа Шантал?