

**Наставен план:** Наставен план за 2 година -Електротехничар - енергетичар - македонски

## 1. Англиски (Прв странски јазик) - Општо образование

Прашање

**A travel agent is:**

**A telephone is:**

**The phrase, "to rise dramatically" means:**

**Complete the sentence: "At the check-in desk, they weigh your \_\_\_\_\_."**

**She wanted to see the paintings of Van Gogh, so she went to:**

**I don't know Belinda's telephone number but I can look it up in a telephone:**

**Complete the sentence. "Jane is \_\_\_\_\_ in tennis."**

## 1. Англиски (Прв странски јазик) - Општо образование

Прашање

**An interview is:**

**Complete the sentence! "It never \_\_\_\_\_ in the desert."**

**Finish the sentence: "When you buy something they give you a \_\_\_\_\_."**

**What would be the answer to the question: "How much does it cost?"**

**Finish the sentence with the correct word: "Electricity is a great \_\_\_\_\_."**

**Complete the sentence: "Someone's homeland is \_\_\_\_\_."**

**Finish the sentence. "He decided \_\_\_\_\_ for a few minutes."**

## 1. Англиски (Прв странски јазик) - Општо образование

Прашање

**What is the short answer to the question: "Does he speak English?"**

**Which question is in the Future Tense?**

**Which sentence has a correct word order?**

**Finish the sentence: "Look at those dark clouds, \_\_\_\_\_."**

## 1. Англиски (Прв странски јазик) - Општо образование

Прашање

**Which sentence expresses comparison?**

**Complete the sentence: "I'd like \_\_\_\_\_ Paris one day."**

**Complete the sentence: "The \_\_\_\_\_ fit her nicely."**

**"There is not much tea left." The expression "not much" can be replaced by:**

**What will be the answer to the following question : "What are you going to do this weekend?"**

**The sentence "The project will be finished by John", means that:**

**Finish the sentence: "She was \_\_\_\_\_ person to hear the news."**

## 1. Англиски (Прв странски јазик) - Општо образование

Прашање

**Which sentence is in the Present Perfect Tense?**

**Finish the sentence: "We have decided \_\_\_\_\_ school."**

**Which sentence is negative?**

**What will be the question for the following sentence? "She will dance with him."**

**The verb "have" shows possession in:**

**"OK, I will go to a cocktail party, too." This means that the person:**

**Finish the sentence! "She enjoys watching \_\_\_\_\_."**

**Complete the sentence! "People who are workaholics cannot have many \_\_\_\_\_."**

**Complete the sentence! "John \_\_\_\_\_ 20 miles every afternoon."**

## 1. Англиски (Прв странски јазик) - Општо образование

Прашање

**Which sentence is reported speech?**

**"There is not much coffee left." The expression "not much" can be replaced by:**

**Fill the gap: "Sally \_\_\_\_\_ early every morning."**

**The sentence "Jackie will be taken home by Kate", means that:**

**How will you tell your friends that you are going to study harder?**

**Finish the sentence: "We never \_\_\_\_\_ raw fish."**

**Which phrase shows that you like something?**

**Which of the sentences expresses comparison?**

**How will you tell your friends about your decision?**

**38. The sentence: "You should be nicer to your friend" is:**

## 1. Англиски (Прв странски јазик) - Општо образование

Прашање

**"It irained all night and the roads are flooded", gives information about:**

**. "My new English teacher is blond and short." Which question suits this answer?**

**What would be the correct answer to the question: "What was your vacation like?"**

**Complete the sentence: "I \_\_\_\_\_ for you for half an hour. Where have you been?"**

**What would be the correct answer to the question: "Are they getting married next month?"**

**What would be the correct answer to the question: "Did you mention my name?"**

**What would be the correct question to the answer: "No, I can't."**

## 1. Англиски (Прв странски јазик) - Општо образование

Прашање

**Complete the sentence: "The heavy rains \_\_\_\_\_ the area five years ago."**

**Complete the sentence: "They never \_\_\_\_\_ any food to school."**

**Complete the sentence: "The Metropol Hotel is \_\_\_\_\_ than the Millenium Hotel."**

**Which is the correct comparative sentence?**

**Complete the sentence: "Will you help me with my school project if I \_\_\_\_\_ next time?"**



## 1. Англиски (Прв странски јазик) - Општо образование

Прашање

Complete the sentence: "People all \_\_\_\_\_ the world speak English."

Complete the sentence: "They had a holiday in Greece and they \_\_\_\_\_ it very much."

Complete the sentence: "I didn't \_\_\_\_\_ my passport."

Complete the sentence: "I didn't \_\_\_\_\_ a shower yesterday evening."

Complete the sentence: "She didn't drive \_\_\_\_\_ work."

## 1. Англиски (Прв странски јазик) - Општо образование

Прашање

Complete the sentence: "They \_\_\_\_\_ married in 1986."

Complete the sentence: "My oldest friend is \_\_\_\_\_ Andy."

Complete the question: " \_\_\_\_\_ minutes are there in one hour?"

Complete the sentence: "Don't buy \_\_\_\_\_ bread from the shop."

"Would you like to go to the cinema?" This means that somebody:

"All the students were present at the concert yesterday." This sentence is giving:

The expression : "Look out!" means the same as:

What would be the answer to the question: "What does she look like?"

## 1. Англиски (Прв странски јазик) - Општо образование

Прашање

**When you give a permission, you say:**

**When you ask: "How much water do you need?", you ask about:**

**When you make an apology, you say:**

**Give your friend advice:**

**When you are able to swim, you say:**

**When you ask: "How much coffee do you need?", you ask about:**

**When you meet someone for the first time, you say:**

**When you like doing something, you say:**

**Complete the sentence: "If I had enough money,  
\_\_\_\_\_."**

## 1. Англиски (Прв странски јазик) - Општо образование

Прашање

**When you see a car coming, you say to your friend:**

**Which is correct?**

**How would you give information on the timetable?**

**Complete the sentence : "Tomorrow's a holiday, \_\_\_\_\_."**

**Finish the sentence: "Jane is tall and \_\_\_\_\_."**

**Complete the sentence: "John says \_\_\_\_\_ to give up smoking."**

**"My friend said he \_\_\_\_\_ to our next meeting."**

**What is the right response to: "I've lost my phone. Can you help me \_\_\_\_\_ it?"**

**If you are quite sure about something, you say:**

## 1. Англиски (Прв странски јазик) - Општо образование

Прашање

**What is the short answer to the question: "Does your father work as a teacher?"**

**How do we ask about the time?**

**If you hear: "It could be John." You respond with:**

**If you want to know where the hotel is. you ask:**

**Sending a Valentine's card to a loved one is a custom that started more than a century ago. Couples give cards to each other, but it is also traditional to send an anonymous card to anyone you secretly love. This practice is particularly common in schools and can be a source of great amusement and embarrassment as everyone tries to work out who sent a card and who has a secret admirer! Valentine's Day symbols on cards include hearts designs, doves, and the figure of the winged angel, Cupid.**

**What is this passage about?**

## 1. Англиски (Прв странски јазик) - Општо образование

### Прашање

**Sending a Valentine's card to a loved one is a custom that started more than a century ago. Couples give cards to each other, but it is also traditional to send an anonymous card to anyone you secretly love. This practice is particularly common in schools and can be a source of great amusement and embarrassment as everyone tries to work out who sent a card and who has a secret admirer! Valentine's Day symbols on cards include hearts designs, doves, and the figure of the winged angel, Cupid.**

**When did the custom of sending Valentine's cards begin?**

**Sending a Valentine's card to a loved one is a custom that started more than a century ago. Couples give cards to each other, but it is also traditional to send an anonymous card to anyone you secretly love. This practice is particularly common in schools and can be a source of great amusement and embarrassment as everyone tries to work out who sent a card and who has a secret admirer! Valentine's Day symbols on cards include hearts designs, doves, and the figure of the winged angel, Cupid.**

**What does the word "anonymous" in the text mean?**

## 1. Англиски (Прв странски јазик) - Општо образование

Прашање

**Sending a Valentine's card to a loved one is a custom that started more than a century ago. Couples give cards to each other, but it is also traditional to send an anonymous card to anyone you secretly love. This practice is particularly common in schools and can be a source of great amusement and embarrassment as everyone tries to work out who sent a card and who has a secret admirer! Valentine's Day symbols on cards include hearts designs, doves, and the figure of the winged angel, Cupid.**

**What is a common practice in schools?**

**Sending a Valentine's card to a loved one is a custom that started more than a century ago. Couples give cards to each other, but it is also traditional to send an anonymous card to anyone you secretly love. This practice is particularly common in schools and can be a source of great amusement and embarrassment as everyone tries to work out who sent a card and who has a secret admirer! Valentine's Day symbols on cards include hearts designs, doves, and the figure of the winged angel, Cupid.**

**What is a source of great amusement and embarrassment?**

## 1. Англиски (Прв странски јазик) - Општо образование

Прашање

**Sending a Valentine's card to a loved one is a custom that started more than a century ago. Couples give cards to each other, but it is also traditional to send an anonymous card to anyone you secretly love. This practice is particularly common in schools and can be a source of great amusement and embarrassment as everyone tries to work out who sent a card and who has a secret admirer! Valentine's Day symbols on cards include hearts designs, doves, and the figure of the winged angel, Cupid.**

**What are some of the symbols on the cards?**

**At the turn of the century, America's towns and cities were growing quickly. Families like Samantha's sometimes wanted to get away from crowds and noise and air that was gritty with coal soot. So in the summer they left their city homes for outdoor vacations in the mountains or at the seashore. Railroads made travel to vacation spots quick and easy.**

**Finish the sentence "America's towns were growing \_\_\_\_\_."**



## 1. Англиски (Прв странски јазик) - Општо образование

Прашање

**At the turn of the century, America's towns and cities were growing quickly. Families like Samantha's sometimes wanted to get away from crowds and noise and air that was gritty with coal soot. So in the summer they left their city homes for outdoor vacations in the mountains or at the seashore. Railroads made travel to vacation spots quick and easy.**

**According to the passage "families wanted \_\_\_\_\_."**

**At the turn of the century, America's towns and cities were growing quickly. Families like Samantha's sometimes wanted to get away from crowds and noise and air that was gritty with coal soot. So in the summer they left their city homes for outdoor vacations in the mountains or at the seashore. Railroads made travel to vacation spots quick and easy.**

**The air in the cities was:**

**At the turn of the century, America's towns and cities were growing quickly. Families like Samantha's sometimes wanted to get away from crowds and noise and air that was gritty with coal soot. So in the summer they left their city homes for outdoor vacations in the mountains or at the seashore. Railroads made travel to vacation spots quick and easy.**

**The phrase "outdoor vacations" means:**

## 1. Англиски (Прв странски јазик) - Општо образование

Прашање

**At the turn of the century, America's towns and cities were growing quickly. Families like Samantha's sometimes wanted to get away from crowds and noise and air that was gritty with coal soot. So in the summer they left their city homes for outdoor vacations in the mountains or at the seashore. Railroads made travel to vacation spots quick and easy.**

**Where did families go for vacations?**

**At the turn of the century, America's towns and cities were growing quickly. Families like Samantha's sometimes wanted to get away from crowds and noise and air that was gritty with coal soot. So in the summer they left their city homes for outdoor vacations in the mountains or at the seashore. Railroads made travel to vacation spots quick and easy.**

**What made travel quick and easy?**

## 1. Англиски (Прв странски јазик) - Општо образование

Прашање

**Some people think that flowers and chocolates seem a little ordinary and so they look for a more unusual gift. For romantic people with plenty of cash these gifts could include: a helicopter flight, a balloon ride, the chance to test-drive a Ferrari, an all-day session at a health club. Others, however, complain that Valentine's Day is yet another opportunity for ever-increasing commercialism. For true romantics the gift of love is enough. Valentine's Day is a popular day to either propose or get married - you'd never forget your wedding anniversary!**

**This paragraph is about:**

**Parents want their kids to be safe. Are teenagers safer with a mobile phone or without? Many parents want their children to have a phone so that they can be in contact at any time or in any place. On the other hand, for lots of parents a phone is a source of possible danger. Parents worry that their child may meet the wrong kind of 'friends' on social networking sites or that they might receive cruel messages from school bullies. Some parents have rules about their children's mobile phone and internet usage and bad behaviour can result in removal of mobile privileges.**

**What is this text about?**

## 1. Англиски (Прв странски јазик) - Општо образование

Прашање

**Parents want their kids to be safe. Are teenagers safer with a mobile phone or without? Many parents want their children to have a phone so that they can be in contact at any time or in any place. On the other hand, for lots of parents a phone is a source of possible danger. Parents worry that their child may meet the wrong kind of 'friends' on social networking sites or that they might receive cruel messages from school bullies. Some parents have rules about their children's mobile phone and internet usage and bad behaviour can result in removal of mobile privileges.**

**What do parents want their children to be?**

**Parents want their kids to be safe. Are teenagers safer with a mobile phone or without? Many parents want their children to have a phone so that they can be in contact at any time or in any place. On the other hand, for lots of parents a phone is a source of possible danger. Parents worry that their child may meet the wrong kind of 'friends' on social networking sites or that they might receive cruel messages from school bullies. Some parents have rules about their children's mobile phone and internet usage and bad behaviour can result in removal of mobile privileges.**

**Why do parents want their children to have a phone?**

## 1. Англиски (Прв странски јазик) - Општо образование

Прашање

**Parents want their kids to be safe. Are teenagers safer with a mobile phone or without? Many parents want their children to have a phone so that they can be in contact at any time or in any place. On the other hand, for lots of parents a phone is a source of possible danger. Parents worry that their child may meet the wrong kind of 'friends' on social networking sites or that they might receive cruel messages from school bullies. Some parents have rules about their children's mobile phone and internet usage and bad behaviour can result in removal of mobile privileges.**

**Why is a phone a source of possible danger for some parents?**

**Parents want their kids to be safe. Are teenagers safer with a mobile phone or without? Many parents want their children to have a phone so that they can be in contact at any time or in any place. On the other hand, for lots of parents a phone is a source of possible danger. Parents worry that their child may meet the wrong kind of 'friends' on social networking sites or that they might receive cruel messages from school bullies. Some parents have rules about their children's mobile phone and internet usage and bad behaviour can result in removal of mobile privileges.**

**What does "cruel messages" in the text mean?**

## 1. Англиски (Прв странски јазик) - Општо образование

Прашање

**Many of us still don't think that we need to recycle or can't be bothered. Sometimes choosing the correct bin to put our rubbish in and emptying them feels like too much effort. Realistically, separating our rubbish is not that difficult and only takes a few minutes of our time. In some countries people receive money for items that they recycle, mainly plastic and glass bottles. Encouraging recycling through enabling people to earn money has raised awareness of the importance of recycling and people doing this often want to recycle other items.**

**This passage is about:**

**Many of us still don't think that we need to recycle or can't be bothered. Sometimes choosing the correct bin to put our rubbish in and emptying them feels like too much effort. Realistically, separating our rubbish is not that difficult and only takes a few minutes of our time. In some countries people receive money for items that they recycle, mainly plastic and glass bottles. Encouraging recycling through enabling people to earn money has raised awareness of the importance of recycling and people doing this often want to recycle other items.**

**According to the text, how long does separating rubbish take?**

## 1. Англиски (Прв странски јазик) - Општо образование

Прашање

**Many of us still don't think that we need to recycle or can't be bothered. Sometimes choosing the correct bin to put our rubbish in and emptying them feels like too much effort. Realistically, separating our rubbish is not that difficult and only takes a few minutes of our time. In some countries people receive money for items that they recycle, mainly plastic and glass bottles. Encouraging recycling through enabling people to earn money has raised awareness of the importance of recycling and people doing this often want to recycle other items.**

**What do people recycle in some countries?**

**Many of us still don't think that we need to recycle or can't be bothered. Sometimes choosing the correct bin to put our rubbish in and emptying them feels like too much effort. Realistically, separating our rubbish is not that difficult and only takes a few minutes of our time. In some countries people receive money for items that they recycle, mainly plastic and glass bottles. Encouraging recycling through enabling people to earn money has raised awareness of the importance of recycling and people doing this often want to recycle other items.**

**Why do people receive money?**

## 1. Англиски (Прв странски јазик) - Општо образование

Прашање

**Many of us still don't think that we need to recycle or can't be bothered. Sometimes choosing the correct bin to put our rubbish in and emptying them feels like too much effort. Realistically, separating our rubbish is not that difficult and only takes a few minutes of our time. In some countries people receive money for items that they recycle, mainly plastic and glass bottles. Encouraging recycling through enabling people to earn money has raised awareness of the importance of recycling and people doing this often want to recycle other items.**

**Complete the sentence: "People who recycle**

**\_\_\_\_\_."**

**However, as I try to learn a new language with the help of music I have come to the conclusion that songs in English are perhaps taking over. I have recently moved to Germany and I decided that to try and help my language learning I would listen to some German songs and bands. This seems like a relatively easy task you say? Surely with the endless amount of radio stations and websites such as YouTube which allow us to listen to pretty much anything, I would be able to easily find a lot of German music?**

**. What is this passage about?**



## 1. Англиски (Прв странски јазик) - Општо образование

Прашање

**However, as I try to learn a new language with the help of music I have come to the conclusion that songs in English are perhaps taking over. I have recently moved to Germany and I decided that to try and help my language learning I would listen to some German songs and bands. This seems like a relatively easy task you say? Surely with the endless amount of radio stations and websites such as YouTube which allow us to listen to pretty much anything, I would be able to easily find a lot of German music?**

**The phrase „taking over“ in the text means:**

**However, as I try to learn a new language with the help of music I have come to the conclusion that songs in English are perhaps taking over. I have recently moved to Germany and I decided that to try and help my language learning I would listen to some German songs and bands. This seems like a relatively easy task you say? Surely with the endless amount of radio stations and websites such as YouTube which allow us to listen to pretty much anything, I would be able to easily find a lot of German music?**

**Where has the author recently moved?**

## 1. Англиски (Прв странски јазик) - Општо образование

Прашање

**However, as I try to learn a new language with the help of music I have come to the conclusion that songs in English are perhaps taking over. I have recently moved to Germany and I decided that to try and help my language learning I would listen to some German songs and bands. This seems like a relatively easy task you say? Surely with the endless amount of radio stations and websites such as YouTube which allow us to listen to pretty much anything, I would be able to easily find a lot of German music?**

**How does the author plan to learn the language?**

**While Estella lived in London, staying with friends of Miss Havisham's, I often visited her. She had an endless stream of admirers, and I was jealous of all of them. I never had an hour's happiness with her, but I still thought about her, day and night, and my dearest wish was to marry her. Several times Miss Havisham ordered me to bring Estella to visit her, and of course I always obeyed. Estella was as proud and cold as ever, with her admirers, with Miss Havisham and me.**

**In the passage the word " admirers" means:**

## 1. Англиски (Прв странски јазик) - Општо образование

Прашање

**While Estella lived in London, staying with friends of Miss Havisham's, I often visited her. She had an endless stream of admirers, and I was jealous of all of them. I never had an hour's happiness with her, but I still thought about her, day and night, and my dearest wish was to marry her. Several times Miss Havisham ordered me to bring Estella to visit her, and of course I always obeyed. Estella was as proud and cold as ever, with her admirers, with Miss Havisham and me.**

**The author's wish was:**

**While Estella lived in London, staying with friends of Miss Havisham's, I often visited her. She had an endless stream of admirers, and I was jealous of all of them. I never had an hour's happiness with her, but I still thought about her, day and night, and my dearest wish was to marry her. Several times Miss Havisham ordered me to bring Estella to visit her, and of course I always obeyed. Estella was as proud and cold as ever, with her admirers, with Miss Havisham and me.**

**According to the passage, Estella's behavior was:**

## 1. Англиски (Прв странски јазик) - Општо образование

Прашање

**While Estella lived in London, staying with friends of Miss Havisham's, I often visited her. She had an endless stream of admirers, and I was jealous of all of them. I never had an hour's happiness with her, but I still thought about her, day and night, and my dearest wish was to marry her. Several times Miss Havisham ordered me to bring Estella to visit her, and of course I always obeyed. Estella was as proud and cold as ever, with her admirers, with Miss Havisham and me.**

**Complete this sentence! According to the passage, the author was \_\_\_\_\_ of all of Estella's admirers.**

**While Estella lived in London, staying with friends of Miss Havisham's, I often visited her. She had an endless stream of admirers, and I was jealous of all of them. I never had an hour's happiness with her, but I still thought about her, day and night, and my dearest wish was to marry her. Several times Miss Havisham ordered me to bring Estella to visit her, and of course I always obeyed. Estella was as proud and cold as ever, with her admirers, with Miss Havisham and me.**

**Who wanted to marry Estella?**

## 1. Англиски (Прв странски јазик) - Општо образование

Прашање

**Recently, my smart phone broke and had to be sent off to the warehouse for repair for a week or so. In the meantime I had to use a really old, basic phone just to keep me in touch with my family and friends. All I could do on this phone was send text messages, make calls and play one game. And I loved it. I loved being free from the internet, and I really didn't mind not having constant updates about what my friends were doing or what the latest celebrity story was. It was quite refreshing and it allowed me to spend more time taking in my surroundings – I could enjoy my time in London more, for example, and I could watch the people around me and really see what was going on.**

**What is this passage about?**

**Recently, my smart phone broke and had to be sent off to the warehouse for repair for a week or so. In the meantime I had to use a really old, basic phone just to keep me in touch with my family and friends. All I could do on this phone was send text messages, make calls and play one game. And I loved it. I loved being free from the internet, and I really didn't mind not having constant updates about what my friends were doing or what the latest celebrity story was. It was quite refreshing and it allowed me to spend more time taking in my surroundings – I could enjoy my time in London more, for example, and I could watch the people around me and really see what was going on.**

**Why did the author have to use an old, basic phone?**

## 1. Англиски (Прв странски јазик) - Општо образование

### Прашање

Recently, my smart phone broke and had to be sent off to the warehouse for repair for a week or so. In the meantime I had to use a really old, basic phone just to keep me in touch with my family and friends. All I could do on this phone was send text messages, make calls and play one game. And I loved it. I loved being free from the internet, and I really didn't mind not having constant updates about what my friends were doing or what the latest celebrity story was. It was quite refreshing and it allowed me to spend more time taking in my surroundings – I could enjoy my time in London more, for example, and I could watch the people around me and really see what was going on.

**How many games could be played on the old phone?**

Recently, my smart phone broke and had to be sent off to the warehouse for repair for a week or so. In the meantime I had to use a really old, basic phone just to keep me in touch with my family and friends. All I could do on this phone was send text messages, make calls and play one game. And I loved it. I loved being free from the internet, and I really didn't mind not having constant updates about what my friends were doing or what the latest celebrity story was. It was quite refreshing and it allowed me to spend more time taking in my surroundings – I could enjoy my time in London more, for example, and I could watch the people around me and really see what was going on.

**What does 'taking in my surroundings' mean?**

## 1. Англиски (Прв странски јазик) - Општо образование

Прашање

Recently, my smart phone broke and had to be sent off to the warehouse for repair for a week or so. In the meantime I had to use a really old, basic phone just to keep me in touch with my family and friends. All I could do on this phone was send text messages, make calls and play one game. And I loved it. I loved being free from the internet, and I really didn't mind not having constant updates about what my friends were doing or what the latest celebrity story was. It was quite refreshing and it allowed me to spend more time taking in my surroundings – I could enjoy my time in London more, for example, and I could watch the people around me and really see what was going on.

According to the text, the author \_\_\_\_\_.

Recently, my smart phone broke and had to be sent off to the warehouse for repair for a week or so. In the meantime I had to use a really old, basic phone just to keep me in touch with my family and friends. All I could do on this phone was send text messages, make calls and play one game. And I loved it. I loved being free from the internet, and I really didn't mind not having constant updates about what my friends were doing or what the latest celebrity story was. It was quite refreshing and it allowed me to spend more time taking in my surroundings – I could enjoy my time in London more, for example, and I could watch the people around me and really see what was going on.

Why did the author love the old phone?

## 1. Англиски (Прв странски јазик) - Општо образование

Прашање

**Recently, my smart phone broke and had to be sent off to the warehouse for repair for a week or so. In the meantime I had to use a really old, basic phone just to keep me in touch with my family and friends. All I could do on this phone was send text messages, make calls and play one game. And I loved it. I loved being free from the internet, and I really didn't mind not having constant updates about what my friends were doing or what the latest celebrity story was. It was quite refreshing and it allowed me to spend more time taking in my surroundings – I could enjoy my time in London more, for example, and I could watch the people around me and really see what was going on.**

**What could the author enjoy without his smart phone?**

**Scotland has hundreds of islands. The sea and the islands are important to Scotland and they are never far away. In the south-west, it is easy to go from Glasgow to the Isle of Arran for a day. In the west, things are very different from the cities of the south: the island towns are small; many of the people on Skye and the other islands of the Hebrides speak Gaelic; they do not work or watch TV on Sundays. In the north, the Orkneys and Shetlands are not far from Norway but very far from London! Life is different here.**

**What is the passage about?**



## 1. Англиски (Прв странски јазик) - Општо образование

Прашање

**Scotland has hundreds of islands. The sea and the islands are important to Scotland and they are never far away. In the south-west, it is easy to go from Glasgow to the Isle of Arran for a day. In the west, things are very different from the cities of the south: the island towns are small; many of the people on Skye and the other islands of the Hebrides speak Gaelic; they do not work or watch TV on Sundays. In the north, the Orkneys and Shetlands are not far from Norway but very far from London! Life is different here.**

**How many islands does Scotland have?**

**Scotland has hundreds of islands. The sea and the islands are important to Scotland and they are never far away. In the south-west, it is easy to go from Glasgow to the Isle of Arran for a day. In the west, things are very different from the cities of the south: the island towns are small; many of the people on Skye and the other islands of the Hebrides speak Gaelic; they do not work or watch TV on Sundays. In the north, the Orkneys and Shetlands are not far from Norway but very far from London! Life is different here.**

**Where is Glasgow?**

## 1. Англиски (Прв странски јазик) - Општо образование

Прашање

**Scotland has hundreds of islands. The sea and the islands are important to Scotland and they are never far away. In the south-west, it is easy to go from Glasgow to the Isle of Arran for a day. In the west, things are very different from the cities of the south: the island towns are small; many of the people on Skye and the other islands of the Hebrides speak Gaelic; they do not work or watch TV on Sundays. In the north, the Orkneys and Shetlands are not far from Norway but very far from London! Life is different here.**

**What are the island towns like?**

**Scotland has hundreds of islands. The sea and the islands are important to Scotland and they are never far away. In the south-west, it is easy to go from Glasgow to the Isle of Arran for a day. In the west, things are very different from the cities of the south: the island towns are small; many of the people on Skye and the other islands of the Hebrides speak Gaelic; they do not work or watch TV on Sundays. In the north, the Orkneys and Shetlands are not far from Norway but very far from London! Life is different here.**

**Which two places are not far from Norway?**

## 1. Англиски (Прв странски јазик) - Општо образование

Прашање

**One evening a black-edged envelope was delivered to me at Herbert's rooms. The letter inside informed me that Mrs. J. Gargery had died the previous Monday, and that the burial would be next Monday, at 3 p.m. This news came as a shock to me. It was the first time that someone close to me had died, and I could not imagine life without my sister, even if I had never loved her, or even thought about her recently.**

**What did the author receive one evening?**

**One evening a black-edged envelope was delivered to me at Herbert's rooms. The letter inside informed me that Mrs. J. Gargery had died the previous Monday, and that the burial would be next Monday, at 3 p.m. This news came as a shock to me. It was the first time that someone close to me had died, and I could not imagine life without my sister, even if I had never loved her, or even thought about her recently.**

**What did the letter say?**

## 1. Англиски (Прв странски јазик) - Општо образование

Прашање

**One evening a black-edged envelope was delivered to me at Herbert's rooms. The letter inside informed me that Mrs. J. Gargery had died the previous Monday, and that the burial would be next Monday, at 3 p.m. This news came as a shock to me. It was the first time that someone close to me had died, and I could not imagine life without my sister, even if I had never loved her, or even thought about her recently.**

**When is the burial?**

**One evening a black-edged envelope was delivered to me at Herbert's rooms. The letter inside informed me that Mrs. J. Gargery had died the previous Monday, and that the burial would be next Monday, at 3 p.m. This news came as a shock to me. It was the first time that someone close to me had died, and I could not imagine life without my sister, even if I had never loved her, or even thought about her recently.**

**What was Mrs J. Gargery to the author?**

## 1. Англиски (Прв странски јазик) - Општо образование

Прашање

**There are a range of dances which the celebrities learn, from Latin dances such as the salsa, samba and Jive, to the slower ballroom dances such as the waltz and American smooth. My personal favourite thing about watching Strictly Come Dancing is seeing the different beautiful outfits that they all wear, especially the female celebrities and professional dancers. The outfits are made from scratch every week and are made to suit the dancer, the dance, the song and the story being told through the dance. I think all the dresses look very gorgeous every week. The make-up is also fabulous. Lots of celebrities, mainly those famous in the U.K. have participated in Strictly Come Dancing since it was first shown in 2004. BBC newsreaders, singers, actors and sportsmen and women have all participated in the show and they seem to really enjoy the experience.**

**What is this text about  
?**

## 1. Англиски (Прв странски јазик) - Општо образование

Прашање

**There are a range of dances which the celebrities learn, from Latin dances such as the salsa, samba and Jive, to the slower ballroom dances such as the waltz and American smooth. My personal favourite thing about watching Strictly Come Dancing is seeing the different beautiful outfits that they all wear, especially the female celebrities and professional dancers. The outfits are made from scratch every week and are made to suit the dancer, the dance, the song and the story being told through the dance. I think all the dresses look very gorgeous every week. The make-up is also fabulous. Lots of celebrities, mainly those famous in the U.K. have participated in Strictly Come Dancing since it was first shown in 2004. BBC newsreaders, singers, actors and sportsmen and women have all participated in the show and they seem to really enjoy the experience.**

**What do they wear at Strictly Come Dancing?**

## 1. Англиски (Прв странски јазик) - Општо образование

Прашање

**There are a range of dances which the celebrities learn, from Latin dances such as the salsa, samba and Jive, to the slower ballroom dances such as the waltz and American smooth. My personal favourite thing about watching Strictly Come Dancing is seeing the different beautiful outfits that they all wear, especially the female celebrities and professional dancers. The outfits are made from scratch every week and are made to suit the dancer, the dance, the song and the story being told through the dance. I think all the dresses look very gorgeous every week. The make-up is also fabulous. Lots of celebrities, mainly those famous in the U.K. have participated in Strictly Come Dancing since it was first shown in 2004. BBC newsreaders, singers, actors and sportsmen and women have all participated in the show and they seem to really enjoy the experience.**

**The expression "made from scratch" means:**

## 1. Англиски (Прв странски јазик) - Општо образование

Прашање

**There are a range of dances which the celebrities learn, from Latin dances such as the salsa, samba and Jive, to the slower ballroom dances such as the waltz and American smooth. My personal favourite thing about watching Strictly Come Dancing is seeing the different beautiful outfits that they all wear, especially the female celebrities and professional dancers. The outfits are made from scratch every week and are made to suit the dancer, the dance, the song and the story being told through the dance. I think all the dresses look very gorgeous every week. The make-up is also fabulous. Lots of celebrities, mainly those famous in the U.K. have participated in Strictly Come Dancing since it was first shown in 2004. BBC newsreaders, singers, actors and sportsmen and women have all participated in the show and they seem to really enjoy the experience.**

**According to the text, what is fabulous?**



## 1. Англиски (Прв странски јазик) - Општо образование

Прашање

**There are a range of dances which the celebrities learn, from Latin dances such as the salsa, samba and Jive, to the slower ballroom dances such as the waltz and American smooth. My personal favourite thing about watching Strictly Come Dancing is seeing the different beautiful outfits that they all wear, especially the female celebrities and professional dancers. The outfits are made from scratch every week and are made to suit the dancer, the dance, the song and the story being told through the dance. I think all the dresses look very gorgeous every week. The make-up is also fabulous. Lots of celebrities, mainly those famous in the U.K. have participated in Strictly Come Dancing since it was first shown in 2004. BBC newsreaders, singers, actors and sportsmen and women have all participated in the show and they seem to really enjoy the experience.**

**Who has participated in Strictly Come Dancing?**

## 1. Англиски (Прв странски јазик) - Општо образование

Прашање

**There are a range of dances which the celebrities learn, from Latin dances such as the salsa, samba and Jive, to the slower ballroom dances such as the waltz and American smooth. My personal favourite thing about watching Strictly Come Dancing is seeing the different beautiful outfits that they all wear, especially the female celebrities and professional dancers. The outfits are made from scratch every week and are made to suit the dancer, the dance, the song and the story being told through the dance. I think all the dresses look very gorgeous every week. The make-up is also fabulous. Lots of celebrities, mainly those famous in the U.K. have participated in Strictly Come Dancing since it was first shown in 2004. BBC newsreaders, singers, actors and sportsmen and women have all participated in the show and they seem to really enjoy the experience.**

**When was Strictly Come Dancing first shown?**

## 1. Англиски (Прв странски јазик) - Општо образование

Прашање

**Something very strange happened to Tamara. She never knew she had a twin sister until she started university!**

**Tamara was born in Mexico. Her parents could not look after her so she went to live with a family in Manhattan, USA.**

**When Tamara was twenty years old, she started university in Long Island. She enjoyed her university life. But one day she was walking home from class, and a student smiled at her. "Hello Adriana!" said the student. "I'm not Adriana," said Tamara.**

**This happened to Tamara again and again. People Tamara didn't know kept calling her Adriana. It was very strange. One day, when a woman called her Adriana, Tamara asked "Why do you keep calling me Adriana?"**

**The woman replied, "You look like my friend Adriana. You have the same face and the same hair. Is Adriana your sister?" Tamara said that she did not have a sister called Adriana. But she was interested in this girl Adriana. Finally she asked someone for Adriana's email address. When Tamara wrote to Adriana, she found out that they both had the same birthday, they looked the same and both of them were from Mexico. When Tamara went to live with the family in Manhattan, Adriana moved to Long Island to live with a family there. It had to be true! Adriana and Tamara were twin sisters!**

**What is this text about?**

## 1. Англиски (Прв странски јазик) - Општо образование

Прашање

**Something very strange happened to Tamara. She never knew she had a twin sister until she started university!**

**Tamara was born in Mexico. Her parents could not look after her so she went to live with a family in Manhattan, USA.**

**When Tamara was twenty years old, she started university in Long Island. She enjoyed her university life. But one day she was walking home from class, and a student smiled at her. "Hello Adriana!" said the student. "I'm not Adriana," said Tamara.**

**This happened to Tamara again and again. People Tamara didn't know kept calling her Adriana. It was very strange. One day, when a woman called her Adriana, Tamara asked "Why do you keep calling me Adriana?"**

**The woman replied, "You look like my friend Adriana. You have the same face and the same hair. Is Adriana your sister?" Tamara said that she did not have a sister called Adriana. But she was interested in this girl Adriana. Finally she asked someone for Adriana's email address.**

**When Tamara wrote to Adriana, she found out that they both had the same birthday, they looked the same and both of them were from Mexico. When Tamara went to live with the family in Manhattan, Adriana moved to Long Island to live with a family there. It had to be true! Adriana and Tamara were twin sisters!**

**Why did Tamara go to live with another family?**

## 1. Англиски (Прв странски јазик) - Општо образование

Прашање

**Something very strange happened to Tamara. She never knew she had a twin sister until she started university!**

**Tamara was born in Mexico. Her parents could not look after her so she went to live with a family in Manhattan, USA.**

**When Tamara was twenty years old, she started university in Long Island. She enjoyed her university life. But one day she was walking home from class, and a student smiled at her. "Hello Adriana!" said the student. "I'm not Adriana," said Tamara.**

**This happened to Tamara again and again. People Tamara didn't know kept calling her Adriana. It was very strange. One day, when a woman called her Adriana, Tamara asked "Why do you keep calling me Adriana?"**

**The woman replied, "You look like my friend Adriana. You have the same face and the same hair. Is Adriana your sister?" Tamara said that she did not have a sister called Adriana. But she was interested in this girl Adriana. Finally she asked someone for Adriana's email address.**

**When Tamara wrote to Adriana, she found out that they both had the same birthday, they looked the same and both of them were from Mexico. When Tamara went to live with the family in Manhattan, Adriana moved to Long Island to live with a family there. It had to be true! Adriana and Tamara were twin sisters!**

**Where did Tamara go to university?**

## 1. Англиски (Прв странски јазик) - Општо образование

Прашање

**Something very strange happened to Tamara. She never knew she had a twin sister until she started university!**

**Tamara was born in Mexico. Her parents could not look after her so she went to live with a family in Manhattan, USA.**

**When Tamara was twenty years old, she started university in Long Island. She enjoyed her university life. But one day she was walking home from class, and a student smiled at her. "Hello Adriana!" said the student. "I'm not Adriana," said Tamara.**

**This happened to Tamara again and again. People Tamara didn't know kept calling her Adriana. It was very strange. One day, when a woman called her Adriana, Tamara asked "Why do you keep calling me Adriana?"**

**The woman replied, "You look like my friend Adriana. You have the same face and the same hair. Is Adriana your sister?" Tamara said that she did not have a sister called Adriana. But she was interested in this girl Adriana. Finally she asked someone for Adriana's email address.**

**When Tamara wrote to Adriana, she found out that they both had the same birthday, they looked the same and both of them were from Mexico. When Tamara went to live with the family in Manhattan, Adriana moved to Long Island to live with a family there. It had to be true! Adriana and Tamara were twin sisters!**

**Why did people call Tamara Adriana?**

## 1. Англиски (Прв странски јазик) - Општо образование

Прашање

**Something very strange happened to Tamara. She never knew she had a twin sister until she started university!**

**Tamara was born in Mexico. Her parents could not look after her so she went to live with a family in Manhattan, USA.**

**When Tamara was twenty years old, she started university in Long Island. She enjoyed her university life. But one day she was walking home from class, and a student smiled at her. "Hello Adriana!" said the student. "I'm not Adriana," said Tamara.**

**This happened to Tamara again and again. People Tamara didn't know kept calling her Adriana. It was very strange. One day, when a woman called her Adriana, Tamara asked "Why do you keep calling me Adriana?"**

**The woman replied, "You look like my friend Adriana. You have the same face and the same hair. Is Adriana your sister?" Tamara said that she did not have a sister called Adriana. But she was interested in this girl Adriana. Finally she asked someone for Adriana's email address.**

**When Tamara wrote to Adriana, she found out that they both had the same birthday, they looked the same and both of them were from Mexico. When Tamara went to live with the family in Manhattan, Adriana moved to Long Island to live with a family there. It had to be true! Adriana and Tamara were twin sisters!**

**How did Tamara get in touch with Adriana?**

## 1. Англиски (Прв странски јазик) - Општо образование

Прашање

**Something very strange happened to Tamara. She never knew she had a twin sister until she started university!**

**Tamara was born in Mexico. Her parents could not look after her so she went to live with a family in Manhattan, USA.**

**When Tamara was twenty years old, she started university in Long Island. She enjoyed her university life. But one day she was walking home from class, and a student smiled at her. "Hello Adriana!" said the student. "I'm not Adriana," said Tamara.**

**This happened to Tamara again and again. People Tamara didn't know kept calling her Adriana. It was very strange. One day, when a woman called her Adriana, Tamara asked "Why do you keep calling me Adriana?"**

**The woman replied, "You look like my friend Adriana. You have the same face and the same hair. Is Adriana your sister?" Tamara said that she did not have a sister called Adriana. But she was interested in this girl Adriana. Finally she asked someone for Adriana's email address.**

**When Tamara wrote to Adriana, she found out that they both had the same birthday, they looked the same and both of them were from Mexico. When Tamara went to live with the family in Manhattan, Adriana moved to Long Island to live with a family there. It had to be true! Adriana and Tamara were twin sisters!**

**What did Tamara have the same as Adriana?**



## 1. Англиски (Прв странски јазик) - Општо образование

Прашање

**Something very strange happened to Tamara. She never knew she had a twin sister until she started university!**

**Tamara was born in Mexico. Her parents could not look after her so she went to live with a family in Manhattan, USA.**

**When Tamara was twenty years old, she started university in Long Island. She enjoyed her university life. But one day she was walking home from class, and a student smiled at her. "Hello Adriana!" said the student. "I'm not Adriana," said Tamara.**

**This happened to Tamara again and again. People Tamara didn't know kept calling her Adriana. It was very strange. One day, when a woman called her Adriana, Tamara asked "Why do you keep calling me Adriana?"**

**The woman replied, "You look like my friend Adriana. You have the same face and the same hair. Is Adriana your sister?" Tamara said that she did not have a sister called Adriana. But she was interested in this girl Adriana. Finally she asked someone for Adriana's email address.**

**When Tamara wrote to Adriana, she found out that they both had the same birthday, they looked the same and both of them were from Mexico. When Tamara went to live with the family in Manhattan, Adriana moved to Long Island to live with a family there. It had to be true! Adriana and Tamara were twin sisters!**

**Where did Adriana live?**

## 1. Англиски (Прв странски јазик) - Општо образование

### Прашање

**Something very strange happened to Tamara. She never knew she had a twin sister until she started university!**

**Tamara was born in Mexico. Her parents could not look after her so she went to live with a family in Manhattan, USA.**

**When Tamara was twenty years old, she started university in Long Island. She enjoyed her university life. But one day she was walking home from class, and a student smiled at her. "Hello Adriana!" said the student. "I'm not Adriana," said Tamara.**

**This happened to Tamara again and again. People Tamara didn't know kept calling her Adriana. It was very strange. One day, when a woman called her Adriana, Tamara asked "Why do you keep calling me Adriana?"**

**The woman replied, "You look like my friend Adriana. You have the same face and the same hair. Is Adriana your sister?" Tamara said that she did not have a sister called Adriana. But she was interested in this girl Adriana. Finally she asked someone for Adriana's email address.**

**When Tamara wrote to Adriana, she found out that they both had the same birthday, they looked the same and both of them were from Mexico. When Tamara went to live with the family in Manhattan, Adriana moved to Long Island to live with a family there. It had to be true! Adriana and Tamara were twin sisters!**

**What is this text about?**

## 1. Англиски (Прв странски јазик) - Општо образование

Прашање

**Something very strange happened to Tamara. She never knew she had a twin sister until she started university!**

**Tamara was born in Mexico. Her parents could not look after her so she went to live with a family in Manhattan, USA.**

**When Tamara was twenty years old, she started university in Long Island. She enjoyed her university life. But one day she was walking home from class, and a student smiled at her. "Hello Adriana!" said the student. "I'm not Adriana," said Tamara.**

**This happened to Tamara again and again. People Tamara didn't know kept calling her Adriana. It was very strange. One day, when a woman called her Adriana, Tamara asked "Why do you keep calling me Adriana?"**

**The woman replied, "You look like my friend Adriana. You have the same face and the same hair. Is Adriana your sister?" Tamara said that she did not have a sister called Adriana. But she was interested in this girl Adriana. Finally she asked someone for Adriana's email address.**

**When Tamara wrote to Adriana, she found out that they both had the same birthday, they looked the same and both of them were from Mexico. When Tamara went to live with the family in Manhattan, Adriana moved to Long Island to live with a family there. It had to be true! Adriana and Tamara were twin sisters!**

**Why did Adriana move to Long Island?**

## 1. Англиски (Прв странски јазик) - Општо образование

### Прашање

A day in the life of Paula Radcliffe - Marathon Runner 8.30am Sometimes, my daughter Isla wakes me and my husband, Gary, up, or, more often, we wake her up. After I get up, I always check my pulse. It's usually 38-40 beats per minute. If it is too high, I rest for the day. It's so important to listen to my body. I have a drink and a snack while giving Isla her breakfast.

9.30am We take Isla to nursery and then I start my training. I run, and Gary rides his bike next to me and gives me drinks. Four times a week, I have a cold bath or go for a swim in a lake after training.

12.30pm I pick up Isla from nursery and we go home and I eat a big lunch of cereal and fruit. Then I have rice and salmon, or toast and peanut butter. I try to eat as soon as possible after training. After lunch, I play with my daughter.

**What is this text about?**

## 1. Англиски (Прв странски јазик) - Општо образование

### Прашање

A day in the life of Paula Radcliffe - Marathon Runner 8.30am Sometimes, my daughter Isla wakes me and my husband, Gary, up, or, more often, we wake her up. After I get up, I always check my pulse. It's usually 38-40 beats per minute. If it is too high, I rest for the day. It's so important to listen to my body. I have a drink and a snack while giving Isla her breakfast.

9.30am We take Isla to nursery and then I start my training. I run, and Gary rides his bike next to me and gives me drinks. Four times a week, I have a cold bath or go for a swim in a lake after training.

12.30pm I pick up Isla from nursery and we go home and I eat a big lunch of cereal and fruit. Then I have rice and salmon, or toast and peanut butter. I try to eat as soon as possible after training. After lunch, I play with my daughter.

**What time does Paula Radcliffe wake up?**

A day in the life of Paula Radcliffe - Marathon Runner 8.30am Sometimes, my daughter Isla wakes me and my husband, Gary, up, or, more often, we wake her up. After I get up, I always check my pulse. It's usually 38-40 beats per minute. If it is too high, I rest for the day. It's so important to listen to my body. I have a drink and a snack while giving Isla her breakfast.

9.30am We take Isla to nursery and then I start my training. I run, and Gary rides his bike next to me and gives me drinks. Four times a week, I have a cold bath or go for a swim in a lake after training.

12.30pm I pick up Isla from nursery and we go home and I eat a big lunch of cereal and fruit. Then I have rice and salmon, or toast and peanut butter. I try to eat as soon as possible after training. After lunch, I play with my daughter.

**What does Paula do after she gets up?**

## 1. Англиски (Прв странски јазик) - Општо образование

### Прашање

A day in the life of Paula Radcliffe - Marathon Runner 8.30am Sometimes, my daughter Isla wakes me and my husband, Gary, up, or, more often, we wake her up. After I get up, I always check my pulse. It's usually 38-40 beats per minute. If it is too high, I rest for the day. It's so important to listen to my body. I have a drink and a snack while giving Isla her breakfast.

9.30am We take Isla to nursery and then I start my training. I run, and Gary rides his bike next to me and gives me drinks. Four times a week, I have a cold bath or go for a swim in a lake after training.

12.30pm I pick up Isla from nursery and we go home and I eat a big lunch of cereal and fruit. Then I have rice and salmon, or toast and peanut butter. I try to eat as soon as possible after training. After lunch, I play with my daughter.

**What is important for Paula?**

## 1. Англиски (Прв странски јазик) - Општо образование

### Прашање

A day in the life of Paula Radcliffe - Marathon Runner 8.30am Sometimes, my daughter Isla wakes me and my husband, Gary, up, or, more often, we wake her up. After I get up, I always check my pulse. It's usually 38-40 beats per minute. If it is too high, I rest for the day. It's so important to listen to my body. I have a drink and a snack while giving Isla her breakfast.

9.30am We take Isla to nursery and then I start my training. I run, and Gary rides his bike next to me and gives me drinks. Four times a week, I have a cold bath or go for a swim in a lake after training.

12.30pm I pick up Isla from nursery and we go home and I eat a big lunch of cereal and fruit. Then I have rice and salmon, or toast and peanut butter. I try to eat as soon as possible after training. After lunch, I play with my daughter.

**What is Paula's pulse usually?**

## 1. Англиски (Прв странски јазик) - Општо образование

### Прашање

A day in the life of Paula Radcliffe - Marathon Runner 8.30am Sometimes, my daughter Isla wakes me and my husband, Gary, up, or, more often, we wake her up. After I get up, I always check my pulse. It's usually 38-40 beats per minute. If it is too high, I rest for the day. It's so important to listen to my body. I have a drink and a snack while giving Isla her breakfast.

9.30am We take Isla to nursery and then I start my training. I run, and Gary rides his bike next to me and gives me drinks. Four times a week, I have a cold bath or go for a swim in a lake after training.

12.30pm I pick up Isla from nursery and we go home and I eat a big lunch of cereal and fruit. Then I have rice and salmon, or toast and peanut butter. I try to eat as soon as possible after training. After lunch, I play with my daughter.

**When does Paula rest for the day?**



## 1. Англиски (Прв странски јазик) - Општо образование

### Прашање

A day in the life of Paula Radcliffe - Marathon Runner 8.30am Sometimes, my daughter Isla wakes me and my husband, Gary, up, or, more often, we wake her up. After I get up, I always check my pulse. It's usually 38-40 beats per minute. If it is too high, I rest for the day. It's so important to listen to my body. I have a drink and a snack while giving Isla her breakfast.

9.30am We take Isla to nursery and then I start my training. I run, and Gary rides his bike next to me and gives me drinks. Four times a week, I have a cold bath or go for a swim in a lake after training.

12.30pm I pick up Isla from nursery and we go home and I eat a big lunch of cereal and fruit. Then I have rice and salmon, or toast and peanut butter. I try to eat as soon as possible after training. After lunch, I play with my daughter.

**Who gives Paula drinks when she runs?**

## 1. Англиски (Прв странски јазик) - Општо образование

### Прашање

A day in the life of Paula Radcliffe - Marathon Runner 8.30am Sometimes, my daughter Isla wakes me and my husband, Gary, up, or, more often, we wake her up. After I get up, I always check my pulse. It's usually 38-40 beats per minute. If it is too high, I rest for the day. It's so important to listen to my body. I have a drink and a snack while giving Isla her breakfast.

9.30am We take Isla to nursery and then I start my training. I run, and Gary rides his bike next to me and gives me drinks. Four times a week, I have a cold bath or go for a swim in a lake after training.

12.30pm I pick up Isla from nursery and we go home and I eat a big lunch of cereal and fruit. Then I have rice and salmon, or toast and peanut butter. I try to eat as soon as possible after training. After lunch, I play with my daughter.

**How does Gary follow Paula?**

## 1. Англиски (Прв странски јазик) - Општо образование

### Прашање

A day in the life of Paula Radcliffe - Marathon Runner 8.30am Sometimes, my daughter Isla wakes me and my husband, Gary, up, or, more often, we wake her up. After I get up, I always check my pulse. It's usually 38-40 beats per minute. If it is too high, I rest for the day. It's so important to listen to my body. I have a drink and a snack while giving Isla her breakfast.

9.30am We take Isla to nursery and then I start my training. I run, and Gary rides his bike next to me and gives me drinks. Four times a week, I have a cold bath or go for a swim in a lake after training.

12.30pm I pick up Isla from nursery and we go home and I eat a big lunch of cereal and fruit. Then I have rice and salmon, or toast and peanut butter. I try to eat as soon as possible after training. After lunch, I play with my daughter.

**Which word is a synonym with the word "nursery" from the text?**

**Some people think that flowers and chocolates seem a little ordinary and so they look for a more unusual gift. For romantic people with plenty of cash these gifts could include: a helicopter flight, a balloon ride, the chance to test-drive a Ferrari, an all-day session at a health club. Others, however, complain that Valentine's Day is yet another opportunity for ever-increasing commercialism. For true romantics the gift of love is enough. Valentine's Day is a popular day to either propose or get married - you'd never forget your wedding anniversary!**

**According to the text, a "balloon ride" is for:**

## 1. Англиски (Прв странски јазик) - Општо образование

Прашање

**Football is played with:**

**A desert is:**

**Finish the sentence: " \_\_\_\_\_ is an evening meal."**

**Complete the sentence: "At the check-in desk, they weigh your \_\_\_\_\_."**

**Complete the sentence: "Don't touch that dog. He is very \_\_\_\_\_."**

**Complete the sentence. "It is \_\_\_\_\_ in here. I'll put on my sweater."**

**The word "astonishing" means:**

## 1. Англиски (Прв странски јазик) - Општо образование

Прашање

**Complete the sentence! "We have lots of picnics \_\_\_\_\_ the summer."**

**Finish the question: "I'll visit my grandparents \_\_\_\_\_ July."**

**The word "delete" means the same as:**

**Finish the sentence with the correct word: "They went \_\_\_\_\_ when they were on holiday."**

**Complete the sentence: "My friend \_\_\_\_\_ the bus at 7.00 o'clock.."**

## 1. Англиски (Прв странски јазик) - Општо образование

### Прашање

A day in the life of Paula Radcliffe - Marathon Runner 8.30am Sometimes, my daughter Isla wakes me and my husband, Gary, up, or, more often, we wake her up. After I get up, I always check my pulse. It's usually 38-40 beats per minute. If it is too high, I rest for the day. It's so important to listen to my body. I have a drink and a snack while giving Isla her breakfast.

9.30am We take Isla to nursery and then I start my training. I run, and Gary rides his bike next to me and gives me drinks. Four times a week, I have a cold bath or go for a swim in a lake after training.

12.30pm I pick up Isla from nursery and we go home and I eat a big lunch of cereal and fruit. Then I have rice and salmon, or toast and peanut butter. I try to eat as soon as possible after training. After lunch, I play with my daughter.

**What does Paula eat for lunch?**

**Finish the sentence. "He decided \_\_\_\_\_ the flight to Chicago."**

**Complete the sentence: "An airport is a place where \_\_\_\_\_."**

**The sign "Bed and breakfast" means:**

## 1. Англиски (Прв странски јазик) - Општо образование

Прашање

Complete the sentence: 'Volleyball is a \_\_\_\_\_.'

Finish the sentence: "It's a long \_\_\_\_\_ from here to China."

Complete the sentence: 'What did Marie Currie \_\_\_\_\_?'

Complete the sentence: "I'd like \_\_\_\_\_ Toronto one day."

Complete the sentence: "He \_\_\_\_\_ a new business."

Complete the sentence: "He was driving so fast he \_\_\_\_\_ into a tree."

Complete the sentence: "Pollution is a \_\_\_\_\_ problem."

## 1. Англиски (Прв странски јазик) - Општо образование

Прашање

**Complete the sentence: "He was speaking to me in a very loud voice. Actually, he was \_\_\_\_\_."**

**Finish the sentence: "She was \_\_\_\_\_ woman on the Moon."**

**Complete the sentence: "Some people spend most of their free time \_\_\_\_\_."**

**Finish the sentence: "You must \_\_\_\_\_ the potatoes first."**

**Finish the sentence: "In spring snow \_\_\_\_\_."**

**What will be the question for the following sentence? "She will dance with him."**

**Finish the question: "How was the \_\_\_\_\_ to Rome?"**



## 1. Англиски (Прв странски јазик) - Општо образование

Прашање

Complete the sentence: "She's never been \_\_\_\_\_ Italy."

Finish the sentence! "There isn't \_\_\_\_\_ at the door."

Complete the sentence! "I've cut \_\_\_\_\_."

The underlined word in the sentence: "She went to the party by herself.",  
is a \_\_\_\_\_.

Complete the sentence: "She went to \_\_\_\_\_ National Gallery."

In the sentence: "I have less time than she does.", the  
underlined word is:

Fill the gap: "John is really \_\_\_\_\_ in music."

## 1. Англиски (Прв странски јазик) - Општо образование

Прашање

Complete the sentence: "He is a good \_\_\_\_\_ of mine."

Finish the sentence: "The room was so \_\_\_\_\_. We could not hear anything."

The sentence: "She has lived here all her life." is in the \_\_\_\_\_ Tense.

Finish the sentence: "\_\_\_\_\_ chocolate did you eat?"

The sentence: "If the weather is good I'll play football." is a \_\_\_\_\_ sentence.

Complete the sentence: "How long \_\_\_\_\_ in Trieste?"

Complete the sentence: "A computer is \_\_\_\_\_ thing which was ever designed."

## 1. Англиски (Прв странски јазик) - Општо образование

Прашање

Complete the sentence: "The dolphins are \_\_\_\_\_ than the chimpanzees."

Complete the sentence: "We are a large family. Our 50 m2 apartment is \_\_\_\_\_ for us."

Complete the sentence: "I \_\_\_\_\_ basketball after school today."

Complete the sentence: "I don't like this pizza. It's \_\_\_\_\_ pizza I've ever tried."

What would be the correct answer to the question: "Is Mary coming to Ohrid this summer?"

What would be the correct answer to the question: "Did you finish your lunch?"

## 1. Англиски (Прв странски јазик) - Општо образование

Прашање

**What would be the correct question to the answer: "She taught me last year."**

**Complete the sentence: "The first man \_\_\_\_\_ on the Moon in 1969."**

**Complete the sentence: "If I had had more time, I \_\_\_\_\_ you."**

**Complete the sentence: "My dog is very friendly. I think he is \_\_\_\_\_ dog I've ever known."**

**Complete the sentence: "The computer I am using isn't \_\_\_\_\_."**

**Complete the sentence: "Did you \_\_\_\_\_ smoke a lot?"**

## 1. Англиски (Прв странски јазик) - Општо образование

Прашање

Complete the sentence: "When I \_\_\_\_\_ home I'll call you."

Complete the sentence: "She took \_\_\_\_\_ rest."

Complete the sentence: "I've got \_\_\_\_\_ money at all."

Complete the sentence: "The project \_\_\_\_\_ last Tuesday."

Complete the sentence: "You like my new phone, \_\_\_\_\_?"

Complete the sentence: "His team \_\_\_\_\_ the match."

Complete the sentence: "This is the place \_\_\_\_\_ we first met."

## 1. Англиски (Прв странски јазик) - Општо образование

Прашање

**Complete the sentence: "Can you \_\_\_\_\_ the computer please?"**

**Complete the sentence: "Don't forget \_\_\_\_\_ the windows please."**

**Complete the sentence: "I \_\_\_\_\_ to Italy before."**

**Complete the sentence: "John enjoys \_\_\_\_\_ to music."**

**"Let's dance!" This means that somebody:**

**"The weather tomorrow will be sunny and warm." This sentence is giving:**

**The sentence: "The bus leaves at 10.00 o'clock.", expresses:**

**The sentence: "You shouldn't sit in that chair.", expresses:**

## 1. Англиски (Прв странски јазик) - Општо образование

Прашање

**Which sentence describes something?**

**When you ask for a room in a hotel, you say:**

**When people say: "I took my dog for a walk", they:**

**When you are able to ride a bicycle, you say:**

**Complete the sentence: "My parents \_\_\_\_\_ me stay out late."**

**When somebody says: "Let me do it.", they are asking for:**

**When you hear "Would it be all right?", this person is asking for a:**

## 1. Англиски (Прв странски јазик) - Општо образование

Прашање

The sentence: "I can speak English well.", expresses:

Complete the sentence: "I couldn't sleep because I \_\_\_\_\_ about this test."

When people say: "See you tomorrow.", that means they:

Which sentence expresses opinion?

People say: "I was wondering if...", when they:

Complete the sentence : "\_\_\_\_\_ car is new."

What is the question to: "It's twenty past three."



## 1. Англиски (Прв странски јазик) - Општо образование

Прашање

Complete the sentence: "John says \_\_\_\_\_ a new dog."

"My friend said he \_\_\_\_\_ to going abroad."

The sign "House \_\_\_\_\_ to let" means: the house is for:

When you make a suggestion, you say:

You say: "Oh, \_\_\_\_\_ that would be great.", when you:

"Why don't we \_\_\_\_\_ have a party?," is a:

When you wish someone all the best, you say:

What is the \_\_\_\_\_ positive answer to the question: "Can you help me?"

## 1. Англиски (Прв странски јазик) - Општо образование

Прашање

**What is the answer to the question: "Are you seeing a doctor?"**

**What does the question : "What's up?" mean?**

**When you apologize, you say:**

**When you disagree with something, you say:**

**Complete the sentence: "This guitar is \_\_\_\_\_ in China."**

**Which word order is correct?**

**Complete the \_\_\_\_\_ sentence:: "You have enough money, \_\_\_\_\_?"**

## 1. Англиски (Прв странски јазик) - Општо образование

Прашање

**Which phrase used in letters is correct?**

**Complete the sentence: "I \_\_\_\_\_ chocolate ice-cream to vanilla ice-cream."**

**What is the right response to: "What is London like?"**

**When you are sure of something, you say:**

**When you cannot come on time, you say:**

**What is the right response to the question: "How's your new babysitter?"**

## 1. Англиски (Прв странски јазик) - Општо образование

Прашање

**You express surprise by saying:**

**When your friend is upset, you say:**

**When you ask                   politely, you say:**

**When you ask                   about somebody's opinion, you say:**

**The sentence:                   "Dogs are not allowed inside", means that:**

**When you are not obliged to wear a uniform, you say:**

**Which of the following sentences expresses an intention?**

## 1. Англиски (Прв странски јазик) - Општо образование

Прашање

**Which of the following sentences expresses a condition?**

**Which of the following sentences expresses certainty?**

**Which of the following sentences expresses habit in the past?**

**How would you retell the question: "Where is Jim going?" He asked\_\_\_\_\_.**

## 1. Англиски (Прв странски јазик) - Општо образование

Прашање

**Complete the sentence: "If I had enough money,  
\_\_\_\_\_."**

**Fill the gap: "I've lost my phone. Can you help me \_\_\_\_\_ it?"**

**Complete the sentence: "John is very good \_\_\_\_\_ playing the guitar."**

**What is the short answer to the question: "Can you help me with my homework?"**

**Somebody says: "The new school is really nice." You disagree and say:**

**What is short answer to the question: "Did the girl sing very well?"**

## 1. Англиски (Прв странски јазик) - Општо образование

Прашање

**If you want to know where the stadium is. you ask:**

**If somebody offers you breakfast, you refuse by saying:**

**Complete the sentence: "If she knew the answer, she \_\_\_\_\_."**

**Complete the sentence: "If I were you, \_\_\_\_\_."**

**Complete the sentence: "I \_\_\_\_\_ to go to school on Sunday."**

## 1. Англиски (Прв странски јазик) - Општо образование

Прашање

**Some people think that flowers and chocolates seem a little ordinary and so they look for a more unusual gift. For romantic people with plenty of cash these gifts could include: a helicopter flight, a balloon ride, the chance to test-drive a Ferrari, an all-day session at a health club. Others, however, complain that Valentine's Day is yet another opportunity for ever-increasing commercialism. For true romantics the gift of love is enough. Valentine's Day is a popular day to either propose or get married - you'd never forget your wedding anniversary!**

**The word "ordinary" in the text means:**

**Some people think that flowers and chocolates seem a little ordinary and so they look for a more unusual gift. For romantic people with plenty of cash these gifts could include: a helicopter flight, a balloon ride, the chance to test-drive a Ferrari, an all-day session at a health club. Others, however, complain that Valentine's Day is yet another opportunity for ever-increasing commercialism. For true romantics the gift of love is enough. Valentine's Day is a popular day to either propose or get married - you'd never forget your wedding anniversary!**

**What does "people with plenty of cash" mean?**



## 1. Англиски (Прв странски јазик) - Општо образование

Прашање

**Some people think that flowers and chocolates seem a little ordinary and so they look for a more unusual gift. For romantic people with plenty of cash these gifts could include: a helicopter flight, a balloon ride, the chance to test-drive a Ferrari, an all-day session at a health club. Others, however, complain that Valentine's Day is yet another opportunity for ever-increasing commercialism. For true romantics the gift of love is enough. Valentine's Day is a popular day to either propose or get married - you'd never forget your wedding anniversary!**

**Why do people complain about Valentine's Day?**

**Some people think that flowers and chocolates seem a little ordinary and so they look for a more unusual gift. For romantic people with plenty of cash these gifts could include: a helicopter flight, a balloon ride, the chance to test-drive a Ferrari, an all-day session at a health club. Others, however, complain that Valentine's Day is yet another opportunity for ever-increasing commercialism. For true romantics the gift of love is enough. Valentine's Day is a popular day to either propose or get married - you'd never forget your wedding anniversary!**

**What other things can people do on Valentine's Day?**

**Some people think that flowers and chocolates seem a little ordinary and so they look for a more unusual gift. For romantic people with plenty of cash these gifts could include: a helicopter flight, a balloon ride, the chance to test-drive a Ferrari, an all-day session at a health club. Others, however, complain that Valentine's Day is yet another opportunity for ever-increasing commercialism. For true romantics the gift of love is enough. Valentine's Day is a popular day to either propose or get married - you'd never forget your wedding anniversary!**

**According to the text, what is enough for true romantics?**

## 1. Англиски (Прв странски јазик) - Општо образование

Прашање

**Some people think that flowers and chocolates seem a little ordinary and so they look for a more unusual gift. For romantic people with plenty of cash these gifts could include: a helicopter flight, a balloon ride, the chance to test-drive a Ferrari, an all-day session at a health club. Others, however, complain that Valentine's Day is yet another opportunity for ever-increasing commercialism. For true romantics the gift of love is enough. Valentine's Day is a popular day to either propose or get married - you'd never forget your wedding anniversary!**

**According to the text, who can never forget their wedding anniversary?**

**Which sentence gives a description of a place?**

**Which is the correct comparison of equality?**

## 2. Германски (Втор странски јазик) - Општо образование

Прашање

Wenn ich kein Bargeld habe, bezahle ich mit der \_\_\_\_\_

**Um fernzusehen, brauche ich.....**

Meine Katze ist krank. Ich muss sie zum \_\_\_\_\_ bringen.

Wann hast du dir \_\_\_\_\_ gewaschen?

Was \_\_\_\_\_ du heute Abend für die Party an?

Schokoriegel, Bonbons und Gummibärchen sind \_\_\_\_\_ .

## 2. Германски (Втор странски јазик) - Општо образование

Прашање

Er ist zu dick. Er sollte 10 kg \_\_\_\_\_ .

Ich esse gern Erdbeeren. Sie sind eine \_\_\_\_\_ .

Der Salat ist eine \_\_\_\_\_ .

Die Wurst gehört zu den \_\_\_\_\_ .

Die Rose ist \_\_\_\_\_ Blume.

Die Donau ist \_\_\_\_\_ in Deutschland.

Mein Hund und meine Katze sind meine \_\_\_\_\_ .

Jeden Tag esse ich Gurken, Tomaten und Paprika. Ich esse viel \_\_\_\_\_ .

## 2. Германски (Втор странски јазик) - Општо образование

Прашање

Der Rhein ist \_\_\_\_\_ in Deutschland.

Ich mag die Tiere, deshalb halte ich viele \_\_\_\_\_.

Die Tanne ist \_\_\_\_\_.

Jeden Morgen esse ich Äpfel, Orangen oder Birnen. Ich esse viel \_\_\_\_\_.

Ich bin in der Metzgerei. Ich kaufe \_\_\_\_\_.

Ich habe gestern sehr laut Musik gehört. Heute tun mir die \_\_\_\_\_ weh.

## 2. Германски (Втор странски јазик) - Општо образование

Прашање

Welche Sportart spielt man mit einem Ball und mit Schlägern? - \_\_\_\_\_ .

Im Gebirge kann man schöne und lange Spaziergänge machen. Das heißt, man kann dort \_\_\_\_\_.

Markus kauft ein Flugticket. \_\_\_\_\_

Was baute die DDR-Regierung zwischen West-Berlin und Ost-Berlin? - \_\_\_\_\_ .

Mein Freund ist immer unterwegs. Das heißt, er ist immer \_\_\_\_\_

Wie schmeckt dir das \_\_\_\_\_?

## 2. Германски (Втор странски јазик) - Општо образование

Прашање

Jan hat sich tätowieren lassen, das ist \_\_\_\_\_.

Anke hat sich die Haare schneiden lassen. Sie hatte bisher immer lange Haare. Jetzt hat sie \_\_\_\_\_ Haar.

Messer, Gabel und Löffel gehören \_\_\_\_\_.

Mir ist kalt, ich ziehe mich \_\_\_\_\_ an.

Was passt nicht zu den Schulsachen: Teller, Heft, Buch, Taschenrechner?

Der Löwe ist \_\_\_\_\_.

Die Zeit vom 1. Januar bis 31. Dezember hat vier \_\_\_\_\_ .

Der Mensch hat zwei \_\_\_\_\_ .

## 2. Германски (Втор странски јазик) - Општо образование

Прашање

Wenn ich krank bin, gehe ich zum \_\_\_\_\_.

Im Wald kann man schöne und lange Spaziergänge machen. Das heißt, man kann dort \_\_\_\_\_.

Wo kann man Äpfel und Birnen kaufen? - \_\_\_\_\_.

Die Schüler bekommen am Ende jedes Schuljahres \_\_\_\_\_.

Kinder unter sechs Jahren gehen nicht in die Schule, sondern in den \_\_\_\_\_.

Deutsch ist für die makedonischen Schüler eine \_\_\_\_\_.

Sport und Geschichte sind \_\_\_\_\_.



## 2. Германски (Втор странски јазик) - Општо образование

Прашање

Die Augen tun mir weh, ich kann nicht \_\_\_\_\_ .

Der Mensch hat zehn \_\_\_\_\_ und zehn \_\_\_\_\_.

Im Juli und im August macht man \_\_\_\_\_.

Ein Pferd kann man \_\_\_\_\_.

Uwe kauft eine Fahrkarte. Er möchte \_\_\_\_\_.

Wo befindet sich das Deutsche Museum? - \_\_\_\_\_

## 2. Германски (Втор странски јазик) - Општо образование

Прашање

Mein Freund reist gern. Das heißt, er ist \_\_\_\_\_ .

Wie schmeckt dir die kalte Cola? - Sie schmeckt gut, aber Cola ist \_\_\_\_\_.

Andrea hat sich die Haare färben lassen. Sie war beim \_\_\_\_\_.

Das Klimawechsel kommt meistens von den \_\_\_\_\_

Mein Opa und meine Oma sind meine \_\_\_\_\_.

Wo kann man Fisch kaufen? - \_\_\_\_\_

## 2. Германски (Втор странски јазик) - Општо образование

Прашање

Wo ist denn meine Schultasche? - Sie liegt \_\_\_\_\_ Schrank.

Komm, ich mache ein Foto. \_\_\_\_\_ dich neben Onkel Alfons.

Oh nein, jetzt bin ich in den falschen Bus \_\_\_\_\_ .

\_\_\_\_\_ ich Taschengeld bekomme, kaufe ich mir eine neue CD.

Warum warst du gestern nicht auf der Party?

Monika möchte Tierärztin werden, weil \_\_\_\_\_

Er hat Angst vor dem Fliegen. Wie \_\_\_\_\_ es mit einer Schiffsreise?

Ich bekomme oft schlechte Noten. Was soll ich tun?

## 2. Германски (Втор странски јазик) - Општо образование

Прашање

\_\_\_\_\_ wohnt Michaela? - In der Herzogstraße.

In Berlin \_\_\_\_\_ einen großen Zoo.

\_\_\_\_\_ gab es starken Wind? - Am Montag.

Der Keller ist der \_\_\_\_\_ Teil des Hauses.

\_\_\_\_\_ wohnt Martina? - In der Schumannstraße.

\_\_\_\_\_ gab es Schnee? - Am Dienstag.

## 2. Германски (Втор странски јазик) - Општо образование

Прашање

Das Dach ist der \_\_\_\_\_ Teil des Hauses.

Ich interessiere mich \_\_\_\_\_ den Film.

Anna \_\_\_\_\_ oft über die Schule.

Jeans \_\_\_\_\_ in Mode.

Die Mädchen \_\_\_\_\_ lange Ohrringe.

Kennst du Maria? - Ja, und ich finde \_\_\_\_\_ sehr sympathisch.

Mein Hund ist krank. Ich bringe ihn \_\_\_\_\_ Tierarzt.

## 2. Германски (Втор странски јазик) - Општо образование

Прашање

Meine Oma \_\_\_\_\_ sich gern an ihre Jugend.

Peter ist mein Traumjunge. Ich liebe \_\_\_\_\_ .

Ich freue \_\_\_\_\_ über das Geschenk. Vielen Dank.

Meine Mutter trägt gern \_\_\_\_\_ Rock.

\_\_\_\_\_ ziehst du lieber an, Hosen oder Röcke?

Das Buch liegt auf \_\_\_\_\_ Tisch.

Ich stelle die Flasche in \_\_\_\_\_ Kühlschrank.

\_\_\_\_\_ steht der Mann? - Er steht vor der Tür.

## 2. Германски (Втор странски јазик) - Општо образование

Прашање

Das Bild hängt an \_\_\_\_\_ Wand.

Matthias möchte frisches Brot essen. Er geht \_\_\_\_\_ Bäcker.

Wohin fährst du? - \_\_\_\_\_ Wien.

Im letzten Sommer \_\_\_\_\_ ich mit meinen Eltern in Urlaub.

In den Winterferien fahre ich in die Schweiz \_\_\_\_\_ Schifahren.

Mein Hund ist verletzt. Ich bringe ihn \_\_\_\_\_ Arzt.

Diesen Sommer fährt Andreas \_\_\_\_\_ Chiemsee.

Morgen fahren wir \_\_\_\_\_ München.

Der Film beginnt in 10 Minuten. Wir müssen \_\_\_\_\_ beeilen.

## 2. Германски (Втор странски јазик) - Општо образование

Прашање

Was hast du dir gestern gekauft? - \_\_\_\_\_ Jacke.

Er geht jeden Morgen arbeiten. Er ist Lehrer \_\_\_\_\_ Beruf.

Wo ist denn mein Fahrrad? - Es steht neben \_\_\_\_\_ Tür.

Luftverschmutzung \_\_\_\_\_ durch Smog.

Was hast du heute Morgen gemacht? - Ich \_\_\_\_\_ in die Stadt.

\_\_\_\_\_ Goldfisch ist zwei Monate alt.

Markus kauft eine Eintrittskarte. Er \_\_\_\_\_ ins Konzert gehen.



## 2. Германски (Втор странски јазик) - Општо образование

Прашање

Das Zimmer \_\_\_\_\_ aufgeräumt.

Wohin gehst du? - \_\_\_\_\_

Letzten Sommer \_\_\_\_\_ ich mit meinen Freunden in Urlaub.

In den Winterferien fahre ich in die Schweiz \_\_\_\_\_ Schilaufen.

Mein Meerschweinchen war krank. Es musste mit ihm zwei Stunden \_\_\_\_\_ Tierarzt bleiben.

Diesen Sommer fährt Fabian \_\_\_\_\_ Bodensee.

Die Stunde beginnt in fünf Minuten. Du musst \_\_\_\_\_ beeilen.

## 2. Германски (Втор странски јазик) - Општо образование

Прашање

Was für Jeans hast du dir gekauft? - \_\_\_\_\_

Ich habe einen Hund und ich muss ihn jeden Tag \_\_\_\_\_.

Komm, wir essen jetzt. Setzt dich auf \_\_\_\_\_ Stuhl.

Oh nein, jetzt bin ich in den falschen Zug \_\_\_\_\_ .

\_\_\_\_\_ ich mehr Geld habe, kaufe ich mir ein neues T-Shirt.

Warum warst du gestern nicht auf der Geburtstagparty? - Weil  
\_\_\_\_\_ .

## 2. Германски (Втор странски јазик) - Општо образование

Прашање

Monika möchte Lehrerin werden, weil \_\_\_\_\_

Wie können nicht mit dem Schiff fahren. Er hat Angst vor Wasser. Wie \_\_\_\_\_ es mit einer Busreise?

Ich habe eine schlechte Note in Mathe. Was soll ich tun?

Wie spät ist es? (8.30 Uhr)

Am Wochenende gehen wir schwimmen. Kommst du mit?

Mami, wie ist das Wetter heute?

## 2. Германски (Втор странски јазик) - Општо образование

Прашање

Hier ist das Rauchen verboten. **Wie kann man es anders sagen?**

Die Fleischsuppe schmeckt ganz gut. **Wie kann man es anders sagen?**

Um wie viel Uhr fährt der Zug nach Berlin ab?

Peter möchte in einem Hotel übernachten. Was sagt er an der Rezeption?

"Mein Handy ist teuer". **Wie kann man es anders sagen?**

Am Sonntag gehen wir spazieren. Kommst du mit?

## 2. Германски (Втор странски јазик) - Општо образование

Прашање

Mami, regnet es draußen?

"Hier ist das Handy verboten."**Wie kann man es anders sagen?**

Die Torte schmeckt ganz gut.

Auf einem Schild im Zug steht: \_\_\_\_\_

"Martin, singst du mit Vergnügen?"**Wie kann man es anders sagen?**

Auf einem Schild im Museum steht:

Was ist dein Lieblingsessen?

## 2. Германски (Втор странски јазик) - Општо образование

Прашање

Rufst du Anne an? .

Wanderurlaub ist lustig. **Was sagst du dazu?**

Ich habe großen Hunger.

Dein Bruder hat Geburtstag. Du sagst ihm: "\_\_\_\_\_ zum Geburtstag!"

Ich möchte Anna zur Party einladen. Ich schicke ihr \_\_\_\_\_

## 2. Германски (Втор странски јазик) - Општо образование

Прашање

"So eine Dummheit!" **Wie kann man es anders sagen?**

Was sagt man einem Freund, der hereinkommt?

Ein Fremder sagt: "Entschuldigung. Ich möchte zur Schillerstraße. Wie komme ich dorthin?" **Der Fremde fragt nach \_\_\_\_\_** .

Mario ist um 8 Uhr morgens in die Schule gekommen. An der Tür stand die Lehrerin. Mario sagte zu ihr: \_\_\_\_\_ .

## 2. Германски (Втор странски јазик) - Општо образование

Прашање

Auf einem Schild im Zug steht: \_\_\_\_\_

Wie fragt man nach der Uhrzeit?

Biljana ist in einer Metzgerei. Sie möchte Mittagessen kochen. Was sagt sie der Verkäuferin: „\_\_\_\_\_“

Claudia ist im Theater. Sie geht zum Schalter und fragt die Verkäuferin: "Haben Sie \_\_\_\_\_?"

Am 25. und am 26. Dezember sagt die Familie Müller: "\_\_\_\_\_"



## 2. Германски (Втор странски јазик) - Општо образование

Прашање

Wie spät ist es? (8.15 Uhr)

Wie spät ist es? (6.30 Uhr)

München ist eine Reise wert. – Ja, \_\_\_\_\_

Biljana ist in einer Bäckerei. Was sagt sie?

Heute ist das Wetter sehr schlecht, \_\_\_\_\_

Wir gehen schwimmen. Kommst du mit? - \_\_\_\_\_

## 2. Германски (Втор странски јазик) - Општо образование

Прашање

Meine Freundin ist zu dick. Was macht sie falsch?

Du brauchst Briefpapier, aber du findest die Post nicht. Wie fragst du?

Was würdest du machen, wenn du Millionär wärest?

Was braucht man für einen Campingurlaub?

Uwe \_\_\_\_\_ gern Orangensaft.

Am 25. und am 26. Dezember feiert man in Deutschland \_\_\_\_\_.

Ein Tiergarten ist \_\_\_\_\_ .

Katja ist in einer Boutique. Was sagt sie?

## 2. Германски (Втор странски јазик) - Општо образование

Прашање

Wenn es nebelig ist, \_\_\_\_\_ .

Wir gehen in den Park! Kommst du mit?

Meine Freundin hat oft Kopfschmerzen. Was macht sie falsch?

Du brauchst eine Ansichtskarte, aber du findest den Kiosk nicht. Was sagst du?

Was würdest du machen, wenn du im Lotto gewinnen würdest?

Petra macht einen Fitnessurlaub. Sie will \_\_\_\_\_

## 2. Германски (Втор странски јазик) - Општо образование

Прашање

München, den 20. April, 2013

Hallo, Jessica,

wie geht es dir? Mir geht es gut. Ich gehe in die Schule, ich lerne und am Wochenende gehe ich ins Café. Meinem Bruder Jan geht es auch gut. Was machst du? Wie ist es bei dir?

Schreib bald

Deine Maria

**Was ist das?**

München, den 20. April, 2013Hallo, Jessica, wie geht es dir? Mir geht es gut. Ich gehe in die Schule, ich lerne und am Wochenende gehe ich ins Café. Meinem Bruder Jan geht es auch gut. Was machst du? Wie ist es bei dir? Schreib bald Deine Maria**Bei Maria und Jan \_\_\_\_\_ .**

## 2. Германски (Втор странски јазик) - Општо образование

Прашање

Irena sagt: "Meine Eltern und ich waren oft in Italien und Griechenland. Fast jeden Sommer. Wie langweilig. Jetzt möchte ich mal was anderes machen und mit meinen Mitschülern Urlaub machen".

**Mit wem möchte Irena Urlaub machen?**

Ana hat einen Jungen kennengelernt und sie treffen sich heute Abend. Er ist sehr süß. Ana hat Panik vor dem ersten Date. Sie ist total nervös.

**Wie fühlt sich Ana?**

## 2. Германски (Втор странски јазик) - Општо образование

Прашање

Martin hat eine neue Freundin. Er hat sich in sie verliebt. Sie sind seit zwei Wochen jeden Tag zusammen. Deshalb sind seine Schulnoten in letzter Zeit schlecht.

**Wie oft sehen sie sich?**

## 2. Германски (Втор странски јазик) - Општо образование

Прашање

Zürich, den 20. April, 2013

Hallo Steffi,

ich bin gestern in Zürich angekommen. Die Bahnfahrt war lang und anstrengend.

Ich musste schon vor einigen Wochen einen Platz reservieren.

Schreib bald

Deine Johanna

**Was ist das?**

## 2. Германски (Втор странски јазик) - Општо образование

Прашање

Zürich, den 20. April, 2013

Hallo Steffi,

ich bin gestern in Zürich angekommen. Die Bahnfahrt war lang und anstrengend. Ich musste schon vor einigen Wochen einen Platz reservieren.

Schreib bald Deine Johanna **Worüber schreibt Johanna?**

Martina sagt: "Meine Freundinnen und ich waren oft in der Türkei und in Griechenland. Fast jeden Sommer. Wie langweilig. Jetzt möchte ich mal was anderes machen und mit meiner Schwester und meinem Bruder Urlaub machen".

**Mit wem möchte Martina Urlaub machen?**



## 2. Германски (Втор странски јазик) - Општо образование

Прашање

Ich bin gestern mit der Straßenbahn in die Schule gefahren. Die Straßenbahn hatte 10 Minuten Verspätung. Ana hatte Angst, sich in der Schule zu verspäten.

**Wovor hatte Ana Angst? - Sie hatte Angst, dass sie \_\_\_\_\_ in der Schule ankommt.**

Es klingelt. Die Stunde beginnt. Der Chemielehrer kommt. Ana hat Angst. Sie hat die letzte Lektion nicht gelesen. Gestern Abend war sie bei ihrer Freundin Maja.

**Warum hat Ana Angst?**

Liebe Hanna, ich schreibe dir jetzt, weil ich nämlich einen tollen Typ kennen gelernt habe. Er heißt Harry und ist fünf Jahre älter als ich. Vor zwei Tagen habe ich ihn zum ersten Mal in der Disco gesehen. Deine Tanja

**Tanja?**

## 2. Германски (Втор странски јазик) - Општо образование

Прашање

Emma hat einen Zettel für Fabian geschrieben: "Nicht vergessen, die Schianzüge, die Schischuhe mitzunehmen, Fahrkarten zu besorgen, ein Ferienhaus zu buchen!"

**Wohin fahren Emma und Fabian?**

Emma hat zehn Kilo zugenommen. Sie isst zu viele Süßigkeiten und sitzt den ganzen Tag am Computer. Sie macht keinen Sport.

**Was sollte sie jetzt machen? - Sie sollte \_\_\_\_\_ .**

## 2. Германски (Втор странски јазик) - Општо образование

Прашање

Die Jugendherberge liegt bei Konstanz, im nördlichen Vorort Allmannsdorf. Mit dem Bus (Linie 4) bis zur Haltestelle „Jugendherberge“, dann ca. 10 Minuten zu Fuß.

**Wo liegt die Jugendherberge?**

Das Hotel ist laut, es ist nicht sauber und wir haben keinen Komfort. Die Zimmer sind hässlich und teuer und das Essen schmeckt mir gar nicht. Die Diskothek ist geschlossen, das Schwimmbad auch.

**Wie ist das Hotel? - Es ist \_\_\_\_\_ .**

## 2. Германски (Втор странски јазик) - Општо образование

Прашање

Ausflugsmöglichkeiten: Stadtbesichtigung in Konstanz (Meerwasseraquarium, Naturmuseum, Geburtshaus von Zeppelin), Schiffsausflug auf dem Bodensee, Ausflug zur Insel Mainau (Blumeninsel), Ausflug in die Schweiz.

**Das Aquarium enthält \_\_\_\_\_**

Michael ist mit seiner Freundin ins Kino gegangen. Sie haben einen spannenden Film gesehen. Er hatte eine schöne Zeit, aber sie war etwas nervös.

**Wer war nicht zufrieden?**

## 2. Германски (Втор странски јазик) - Општо образование

Прашање

Liebe Susanne, ich schreibe dir jetzt, weil ich nämlich einen tollen Typ kennen gelernt habe. Er heißt Hans und er ist vier Jahre älter als ich. Vor zwei Tagen habe ich ihn zum ersten Mal in der Schule getroffen. Deine Steffi **Wem schreibt Steffi?**

Melissa hat einen Zettel für ihren Mann Frank geschrieben: "Nicht vergessen, Badeanzüge, Luftmatraze, Taucherbrille zu besorgen und Zimmer im Hotel zu reservieren!"

**Wohin fahren Melissa und ihr Mann Frank?**

Anna hat zehn Kilo zugenommen. Sie mag kein Obst und kein Gemüse und sie sitzt den ganzen Tag vor dem Fernseher und isst dabei Süßigkeiten. Sie macht keinen Sport.

**Was sollte sie jetzt machen? - Sie sollte \_\_\_\_\_ .**

## 2. Германски (Втор странски јазик) - Општо образование

Прашање

Das Hotel „Kolumbo“ liegt im Vorort von Konstanz, weit weg vom Stadtzentrum. Wenn man im Stadtzentrum ist, kann man es nur mit einem Verkehrsmittel erreichen. **Man kann zum Hotel** \_\_\_\_\_ .

40 Zimmer mit insgesamt 180 Betten, Vier- und Sechsbettzimmer. Alle Zimmer mit eigener Dusche/WC. Das Haus hat sechs Tagesräume, drei Freizeit- und Spielräume, Bistro, Discoraum.

**In den Zimmern kann man nicht** \_\_\_\_\_ .

Das Hotel Astoria liegt direkt am Strand. Es wurde vor drei Jahren komplett renoviert. Das Hotel hat fünf Stockwerke.

**Wo liegt das Hotel?**

## 2. Германски (Втор странски јазик) - Општо образование

Прашање

Mein Bruder und ich spielen einmal in der Woche Tennis auf dem Tennisplatz. Wir fahren immer mit der S-Bahn hin und zurück. Die Fahrt in eine Richtung kostet fünf Euro pro Person.

**Wie viel zahlen wir jede Woche für die Fahrt?**

Ich war gestern auf dem Markt. Ich habe ein halbes Kilo Gurken, ein Kilo Tomaten, ein halbes Kilo rote Paprika, zwei Kilo Äpfel, zwei Kilo Erdbeeren und ein Kilo weiße Bohnen gekauft.

**Wie viel Obst habe ich gekauft?**

## 2. Германски (Втор странски јазик) - Општо образование

Прашање

Ich war gestern auf dem Markt. Ich habe ein halbes Kilo Gurken, ein Kilo Tomaten, ein halbes Kilo rote Paprika, zwei Kilo Äpfel, zwei Kilo Erdbeeren und ein Kilo weiße Bohnen gekauft.

**Wie viel Gemüse habe ich gekauft?**

Freizeiteinrichtungen am Haus: Fußballtor, Tischtennisplatte, Grill, Schachbrett, Streetballgelände, Außensitzplätze für ca. 80 Personen.

**Was kann man bei diesen Freizeiteinrichtungen nicht machen?- Man kann nicht \_\_\_\_\_ .**



## 2. Германски (Втор странски јазик) - Општо образование

Прашање

Frau Wagner ist im Geschäft. Sie kauft viele Sachen für die Familie und für das Haus ein. Die Verkäuferin ist sehr nett. Lachend geht Frau Wagner nach Hause.

**Wie fühlt sich Frau Wagner? - Sie fühlt sich \_\_\_\_\_ .**

Meine Haare gefallen mir nicht. Ich brauche ein neues Styling. Das kann ich nicht selbst machen. Zuerst kaufe ich eine Haarfarbe und dann gehe ich

\_\_\_\_\_ .

OktoberDer Oktober ist wirklich wunderschön.Der Oktober schmeckt wie reife, süße Nüsse.Der Oktober duftet nach frischen Äpfeln. Der Oktober sieht wie ein bunter Maler aus.**Welche Jahreszeit ist in diesem Gedicht beschrieben?**

## 2. Германски (Втор странски јазик) - Општо образование

Прашање

Heute feiert Sami seinen siebten Geburtstag. Es ist ein ganz besonderer Geburtstag! Zum ersten Mal seit drei Jahren feiert die Familie wieder gemeinsam ein Fest.

**Wie feiert jetzt die Familie Samis Geburtstag?**

Preise: Übernachtung mit Frühstück 1. Nacht kostet 21,00 Euro, jede weitere Nacht kostet 18,00 Euro. Halbpension 1. Nacht kostet 26,00 Euro, jede weitere Nacht kostet 23,00 Euro.

**Was kostet eine Übernachtung mit Frühstück + Mittagessen?**

## 2. Германски (Втор странски јазик) - Општо образование

Прашање

Heute ist Donnerstag, der 10. August, und der vierte Tag unserer Reise. Wir haben noch zwei Tage Fahrt bis zum Ziel. Aber ich kann kaum mehr diese Schiffsreise ertragen. Von den großen Wellen ist mir ständig übel.

**Wenn ich jetzt tauschen könnte, \_\_\_\_\_ .**

Heute ist Donnerstag, der 10. August, und der vierte Tag unserer Reise. Wir haben noch zwei Tage Fahrt bis zum Ziel. Aber ich kann kaum mehr diese Schiffsreise ertragen. Von den großen Wellen ist mir ständig übel.

**Wie lange dauert die ganze Schiffsreise? - \_\_\_\_\_ .**

## 2. Германски (Втор странски јазик) - Општо образование

Прашање

Liebe Anne,  
ich schreibe dir jetzt, weil ich nämlich einen tollen Typ kennen gelernt habe. Er heißt Harry und er ist fünf Jahre älter als ich. Vor zwei Tagen habe ich ihn zum ersten Mal in der Disco gesehen.

Deine Martina

**Was ist richtig?**

Liebe Anne,  
ich schreibe dir jetzt, weil ich nämlich einen tollen Typ kennen gelernt habe. Er heißt Harry und er ist fünf Jahre älter als ich. Vor zwei Tagen habe ich ihn zum ersten Mal in der Disco gesehen.

Deine Martina

**Wann hat Martina den Jungen kennen gelernt?**

### 3. Германски (Прв странски јазик) - Општо образование

Прашање

Es gibt viel Schnee. Es \_\_\_\_\_.

Jeden Morgen esse ich einen Apfel. Ich esse viel \_\_\_\_\_.

Fische kann man nicht \_\_\_\_\_.

Welches Tier ist kein Haustier?

Ich kämme mir \_\_\_\_\_.

Vegetarier essen \_\_\_\_\_.

Man hört ihn bei einem Gewitter.

Wie ziehst du dich an?- \_\_\_\_\_.

Er duscht sich im \_\_\_\_\_.

Wer organisiert diese Fahrt nach Berlin? - \_\_\_\_\_.

### 3. Германски (Прв странски јазик) - Општо образование

Прашање

Es ist gesund, \_\_\_\_\_.

Wenn ich kein Geld habe, bezahle ich mit meiner \_\_\_\_\_.

Es ist gesund, jeden Tag einen Salat zu essen. Was ist gesund? - Es ist gesund, jeden Tag \_\_\_\_\_ zu essen.

Mein Haustier ist krank. Ich muss es zum \_\_\_\_\_ bringen.

Wann hast du dir \_\_\_\_\_ gewaschen?

Was ziehst du heute Abend für \_\_\_\_\_ an?

„Schokoriegel, Bonbons, Gummibärchen“- das sind \_\_\_\_\_.

Ich esse viel Erdbeeren. Erdbeeren sind \_\_\_\_\_.

### 3. Германски (Прв странски јазик) - Општо образование

Прашање

Er ist zu dick. Er sollte 10 kg \_\_\_\_\_.

Der Joghurt gehört zu \_\_\_\_\_.

Was ist die Rose?

Die Donau ist \_\_\_\_\_ in Deutschland.

Mein Papagei und meine Katze sind meine \_\_\_\_\_.

Jeden Tag esse ich Gurken, Tomaten und Paprika. Ich esse viel \_\_\_\_\_.

Der Rhein ist \_\_\_\_\_ in Deutschland.

Mein Hund und meine Schildkröte sind meine \_\_\_\_\_.

Die Tanne ist \_\_\_\_\_.

Jeden Morgen esse ich Äpfel, Orangen oder Birnen. Ich esse viel \_\_\_\_\_.

Ich bin in der Metzgerei. Ich kaufe \_\_\_\_\_.

### 3. Германски (Прв странски јазик) - Општо образование

Прашање

Ich habe gestern sehr laute Musik gehört und meine \_\_\_\_\_ tun mir weh.

Welchen Ballsport spielt man mit Schlägern?

Im Gebirge kann man schöne Spaziergänge machen. Das heißt, man kann in den Bergen \_\_\_\_\_.

Wenn es regnet und wenn gleichzeitig die Sonne scheint, \_\_\_\_\_.

Die gute Ernährung ist sehr wichtig für die Haustiere. \_\_\_\_\_ Sie ihre Lieblinge regelmäßig!

Was kann man tun, um die Umwelt zu schützen?

Welches Tier soll geschützt sein?



### 3. Германски (Прв странски јазик) - Општо образование

Прашање

Zu den Schulsachen passt \_\_\_\_\_ nicht.

Der Löwe gehört zur \_\_\_\_\_.

Das Jahr hat vier \_\_\_\_\_.

Mein Freund ist immer unterwegs. Das heißt er ist immer \_\_\_\_\_.

Jan hat sich tätowieren lassen, das ist \_\_\_\_\_.

Isst du gern Schnitzel?- Ja, ich mag \_\_\_\_\_.

Messer, Gabeln und Löffel gehören zum \_\_\_\_\_.

Sie hatte immer lange Haare. Sie hat sich die Haare schneiden lassen. Jetzt hat sie \_\_\_\_\_.

Mir ist kalt, ich ziehe mich \_\_\_\_\_ an.

### 3. Германски (Прв странски јазик) - Општо образование

Прашање

Jeder Mensch hat zwei \_\_\_\_\_.

Wenn ich krank bin, gehe ich zum \_\_\_\_\_.

Im Wald kann man schöne Spaziergänge machen. Das bedeutet: man kann dort \_\_\_\_\_.

Wo kann man Äpfel und Birnen kaufen? \_\_\_\_\_.

Die Schüler bekommen am Ende jedes Schuljahres \_\_\_\_\_.

Ein kleines Kind geht in den \_\_\_\_\_.

**Zum Geburtstag \_\_\_\_\_ wir unserer Mutter ein Buch.**

Biologie, Mathe, Geschichte sind \_\_\_\_\_.

Meine Augen tun mir weh, ich kann nicht \_\_\_\_\_.

### 3. Германски (Прв странски јазик) - Општо образование

Прашање

Jeder Mensch hat zehn \_\_\_\_\_ und zehn \_\_\_\_\_.

Im August macht man \_\_\_\_\_.

Ein Pferd kann man \_\_\_\_\_.

Uwe kauft eine Fahrkarte.

Wo befindet sich das Deutsche Museum?

Meine Schwester reist gern. Das heißt, sie ist immer \_\_\_\_\_.

Wie schmeckt dir die kalte Cola? Sie schmeckt \_\_\_\_\_.

Andrea hat sich die Haare färben lassen, Sie war beim \_\_\_\_\_.

Den Klimawandel verursachen meistens die \_\_\_\_\_.

Mein Opa und meine Oma sind meine \_\_\_\_\_.

Wo kann man einen Fisch kaufen? Auf dem \_\_\_\_\_.

### 3. Германски (Прв странски јазик) - Општо образование

Прашање

Wenn man etwas drucken will, dann braucht man \_\_\_\_\_.

Was baute die Regierung zwischen West-Berlin und Ost-Berlin?

Hanna liebt Tommy. Sie ist \_\_\_\_\_.

Lars lügt sehr oft. Niemand glaubt ihm mehr. Er ist nicht \_\_\_\_\_.

Mein Freund Marko \_\_\_\_\_ sehr oft im Internet.

Wir \_\_\_\_\_ kommen.

Möchtest du jetzt einen Krimi \_\_\_\_\_ einen Liebesfilm sehen?

Anna ist meine beste Freundin. Ich möchte \_\_\_\_\_ etwas schenken.

Das ist wirklich eine sehr \_\_\_\_\_ Idee.

Ich spreche \_\_\_\_\_ die neue Schülerin.

Ich \_\_\_\_\_ so lange auf meine Freundin.

Das ist mein Freund Jan, \_\_\_\_ sehr chatten möchte.

Das ist mein Freund, \_\_\_\_\_ ich jeden Tag anrufe.

### 3. Германски (Прв странски јазик) - Општо образование

Прашање

\_\_\_\_\_ ist in Katja verliebt?

Ich \_\_\_\_\_ nach Italien fahren.

Die Schüler müssen ihre Handys im Unterricht \_\_\_\_\_.

Ich träume von \_\_\_\_\_ neuen Fahrrad.

Mein Vater liest jeden Tag die Zeitung, \_\_\_\_\_ immer nur den Sportteil.

Ich finde Papageien toll. \_\_\_\_\_ findest du Papageien?

Ich wasche \_\_\_\_\_ das Gesicht.

Das Wetter \_\_\_\_\_ morgen schön.

Das Kätzchen ist \_\_\_\_\_ kleine Katze.

Ich kenne diesen Jungen da. Er heißt Marko. - \_\_\_\_\_ kennst du?

Mein Hund ist krank. Ich bringe ihn \_\_\_\_\_ Arzt.

Ich verkaufe einen \_\_\_\_\_ Hamster.

Was habt ihr gestern gemacht? - Wir waren in einem \_\_\_\_\_ Restaurant.

### 3. Германски (Прв странски јазик) - Општо образование

Прашање

Ich hoffe, \_\_\_\_\_ du morgen kommst.

Ich fahre nicht mit dem Bus. - Warum denn nicht? - Mit dem Auto ist es viel \_\_\_\_\_.

Wenn ein Tier Hunger hat, sollen wir es \_\_\_\_\_.

Kochst du jeden Tag? - Nein, leider nicht. Ich koche nur, \_\_\_\_\_ ich Zeit habe.

Wo ist denn meine Schultasche? Sie steht \_\_\_\_\_.

Komm, ich mache ein Foto. \_\_\_\_\_ dich neben Onkel Alfons.

Oh nein, jetzt bin ich in den falschen Bus \_\_\_\_\_.

\_\_\_\_\_ ich Taschengeld bekomme, kaufe ich mir eine neue CD.

Warum warst du gestern nicht auf der Party?

Monika möchte Tierärztin werden, \_\_\_\_\_.

Er hat Angst vor dem Fliegen. Wie \_\_\_\_\_ es mit einer Schifffreise?

### 3. Германски (Прв странски јазик) - Општо образование

Прашање

Ich bekomme oft schlechte Noten. Was soll ich tun?

\_\_\_\_\_ wohnt Michaela? - In der Herzogstraße.

In Berlin \_\_\_\_\_ einen großen Zoo.

\_\_\_\_\_ gab es einen Regenbogen? - Am Montag.

Wo ist der Keller?

\_\_\_\_\_ wohnt Martina? - In der Schumannstraße.

\_\_\_\_\_ gab es Regen? - Am Dienstag.

Wo ist das Dach?

Ich interessiere mich \_\_\_\_\_ den Film.

Anna \_\_\_\_\_ oft über die Schule.

\_\_\_\_\_ sind in Mode.

Wie gefällt dir der \_\_\_\_\_ ?

Die Mädchen mögen lange \_\_\_\_\_ .

### 3. Германски (Прв странски јазик) - Општо образование

Прашање

Kennst du Maria?- Ja, und ich finde \_\_\_\_\_ sehr sympathisch.

Meine Oma \_\_\_\_\_ sich gern an ihre Jugend.

Peter ist mein Traumjunge. Ich liebe \_\_\_\_\_ .

Ich \_\_\_\_\_ mich über das Geschenk. Vielen Dank.

Meine Mutter trägt gern \_\_\_\_\_ .

\_\_\_\_\_ ziehst du lieber an, Hosen oder Röcke?

Das Buch liegt auf \_\_\_\_\_ Tisch.

Ich lege die Flasche in \_\_\_\_\_ Kühlschrank.



### 3. Германски (Прв странски јазик) - Општо образование

Прашање

Er steht vor der Tür. \_\_\_\_\_ steht er?

Das Bild hängt an \_\_\_\_\_ Wand.

Matthias möchte frisches Brot essen. Er geht \_\_\_\_\_ Bäcker.

Wohin fährst du? \_\_\_\_\_.

Im letzten Sommer \_\_\_\_\_ ich mit meinen Eltern in Urlaub.

\_\_\_\_\_ **meinem Auto fahre ich jeden Tag zur Arbeit.**

Mein Hund ist krank. Ich bringe ihn \_\_\_\_\_ Tierarzt.

Diesen Sommer fährt Andreas \_\_\_\_\_ Chiemsee.

Morgen fahren wir \_\_\_\_\_ München.

Der Film beginnt in 10 Minuten. Du musst \_\_\_\_\_ beeilen.

Was für eine Jacke hast du dir gekauft? \_\_\_\_\_.

### 3. Германски (Прв странски јазик) - Општо образование

Прашање

Er geht jeden Morgen arbeiten. Er geht \_\_\_\_\_.

Wo ist denn mein Fahrrad?

Wem gehört das Buch da?

Ich möchte nach Italien fahren, weil \_\_\_\_\_

**Meine Tante fliegt \_\_\_\_\_ New York.**

Wenn Jan Hunger hat, \_\_\_\_\_.

Luftverschmutzung entsteht durch \_\_\_\_\_.

Was hast du heute Morgen gemacht?

Mein Bruder und meine Schwester sind meine \_\_\_\_\_.

Markus kauft ein Flugticket.

### 3. Германски (Прв странски јазик) - Општо образование

Прашање

Wo liegen die meisten Jugendherbergen?

Wohin gehst du?

Letzten Sommer \_\_\_\_\_ ich mit meinen Freunden in Urlaub.

**Ihr \_\_\_\_\_  
noch  
das Zimmer  
aufräumen.**

Meine Schwester ist verletzt. Ich bringe sie \_\_\_\_\_ Krankenhaus.

Diesen Sommer fährt Fabian \_\_\_\_\_ Ohridsee.

Die Stunde beginnt in 5 Minuten. Du musst \_\_\_\_\_ beeilen.

Was für eine Tasche hast du dir gekauft?

Ich habe einen Hund und ich muss ihn jeden Tag \_\_\_\_\_.

### 3. Германски (Прв странски јазик) - Општо образование

Прашање

Komm, wir essen jetzt. Setz dich auf \_\_\_\_\_.

Oh nein, jetzt bin ich in den falschen Zug \_\_\_\_\_.

\_\_\_\_\_ ich mehr Geld hätte, würde ich eine Weltreise machen.

Warum warst du gestern nicht auf der Geburtstagparty?

Monika möchte Lehrerin werden, \_\_\_\_\_.

Er hat Angst vor Wasser. Wie \_\_\_\_\_ es mit einer Busreise?

Ich habe eine schlechte Note in Latein. Was soll ich tun?

Wie spät ist es? (8.30 Uhr)

Am Wochenende gehen wir schwimmen. Kommst du mit?

Mami, wie ist das Wetter heute?

Hier ist Rauchen verboten.

Die Schokoladentorte schmeckt ganz gut.

### 3. Германски (Прв странски јазик) - Општо образование

Прашање

Um wie viel Uhr fährt der Zug nach Berlin ab?

Peter möchte in einem Hotel übernachten. Was sagt er an der Rezeption?

Am Sonntag machen wir einen Ausflug. Kommst du mit?

Mami, regnet es draußen?

Hier ist Handy verboten.

Was kann man lesen?

Ich habe heute eine gute Note bekommen. Ich bin sehr \_\_\_\_\_.

Was kannst du im Fernsehen nicht sehen?

Im Internet kann man \_\_\_\_\_.

Man tippt mithilfe \_\_\_\_\_.

Zwei Drittel schreibt man \_\_\_\_\_.

Andrea möchte einen gebrauchten Computer kaufen. Was soll sie machen, um Computer zu kaufen?

### 3. Германски (Прв странски јазик) - Општо образование

Прашање

Andrea hört fast jeden Tag Mozart und Bethoven. Sie interessiert sich für\_\_\_\_\_.

Sie ist unruhig. Sie ist \_\_\_\_\_.

Ich möchte dich anrufen. Gib mir bitte deine \_\_\_\_\_!

Zu einem Computer gehört \_\_\_\_\_ nicht.

Mein Vater interessiert sich sehr für Politik. Er sieht sehr oft \_\_\_\_\_.

Was gehört zu einer Freundschaft?

Warum spielst du Eishockey?

Bist du krank?

Ich habe so einen Appetit.

Opa und Oma kommen heute. Was soll ich kochen?

Hast du einen neuen Freund?

### 3. Германски (Прв странски јазик) - Општо образование

Прашање

Wie sind meine Haare?

Ich möchte Marta zum Geburtstag einladen.

Kochst du jeden Tag?

Bei diesem Wetter kann ich nicht Rad fahren.

Warum möchte Alex Tierarzt werden?

Meine Noten in der Schule sind schlecht. Was soll ich tun?

Im Zug steht: \_\_\_\_\_

Was ist dein Lieblingsessen?

Rufst du Anne an?

Wanderurlaub ist lustig. Was sagst du dazu?

Ich habe so einen Hunger.

Dein Bruder hat morgen Geburtstag. Was sagst du ihm?

Ich möchte Anna zur Party einladen.

### 3. Германски (Прв странски јазик) - Општо образование

Прашање

Biljana ist in der Metzgerei. Was sagt sie?

Es blitzt und donnert, \_\_\_\_\_

Kommst du mit? Wir gehen schwimmen.

Meine Freundin ist zu dick. Was macht sie falsch?

Du brauchst Briefpapier, aber du findest die Post nicht. Was sagst du?

Was würdest du machen, wenn du Millionär wärest?

Was braucht man für einen Campingurlaub?

Uwe trinkt gern Orangensaft. Das ist sein \_\_\_\_\_.

Am 25. und 26. Dezember feiert man in Deutschland \_\_\_\_\_.

Ein Zoo ist \_\_\_\_\_.

Katja ist in einer Boutique. Was sagt sie?



### 3. Германски (Прв странски јазик) - Општо образование

Прашање

"Es ist neblig" bedeutet \_\_\_\_\_.

Kommst du mit? Wir gehen in den Park!

Meine Freundin hat Kopfschmerzen. Was macht sie falsch?

Du brauchst eine Ansichtskarte, aber du findest den Kiosk nicht. Was sagst du?

Was würdest du machen, wenn du im Lotto gewinnen würdest?

Was braucht man für einen Fitnessurlaub?

Mein Mathelehrer sagt immer Witze.

Verliebst du dich oft?

Eva ist sehr ängstlich.

Mit wem sprichst du über mich?

Warum bist du dick?

Sieh, ich habe eine neue Bluse.

### 3. Германски (Прв странски јазик) - Општо образование

Прашање

Sag mal, wo kann ich Power Point lernen?

Mit wem chattest du so oft?

Weißt du, wo mein Handy ist?

Wovor hast du Angst?

Bist du sehr aufgeregt?

Ist dir nicht langweilig?

Wie war es gestern?

Ich bin zu dick. Was soll ich machen?

### 3. Германски (Прв странски јазик) - Општо образование

Прашање

Sonntag, den 20. April

Hallo Jessica,  
wie geht es dir? Mir geht es gut. Ich gehe in die Schule, ich lerne und am  
Wochenende gehe ich ins Café. Meinem Bruder Jan geht es auch gut. Was  
machst du?  
Wie ist es bei dir?  
Schreib bald,  
Deine Maria

**Was ist das?**

### 3. Германски (Прв странски јазик) - Општо образование

Прашање

Sonntag, den 20. April

Hallo Jessica,  
wie geht es dir? Mir geht es gut. Ich gehe in die Schule, ich lerne und am  
Wochenende gehe ich ins Café. Meinem Bruder Jan geht es auch gut. Was  
machst du?  
Wie ist es bei dir?  
Schreib bald,  
Deine Maria

**Wer schreibt?**

Ich und meine Eltern waren oft in Italien und Griechenland. Fast jeden Sommer.  
Wie langweilig. Jetzt möchte ich mal was anderes machen und mit meinen  
Mitschülern Urlaub machen. (Irena)

**Mit wem möchte Irena Urlaub machen?**

### 3. Германски (Прв странски јазик) - Општо образование

Прашање

Ana hat einen Jungen kennengelernt und sie treffen sich heute Abend. Er ist sehr schön. Ana hat Panik vor dem ersten Date. Sie ist total nervös.

**Wie fühlt sich Ana?**

Martin hat eine neue Freundin. Er hat sich in sie verliebt. Sie sind fast jeden Tag zusammen. Deshalb sind in der letzten Zeit seine Noten in der Schule schlecht.

**Wie oft sind sie zusammen?**

### 3. Германски (Прв странски јазик) - Општо образование

Прашање

Sonntag, den 20. April

Hallo Steffi,  
ich bin gestern in Zürich angekommen. Die Bahnfahrt war lang und anstrengend.

Ich habe schon vor einigen Wochen einen Platz reserviert.

Schreib bald,  
Deine Johanna

**Was ist das?**

### 3. Германски (Прв странски јазик) - Општо образование

Прашање

Sonntag, den 20. April

Hallo, Steffi

Ich bin gestern in Zürich angekommen. Die Bahnfahrt war lang und anstrengend.

Ich habe schon vor einigen Wochen einen Platz reserviert.

Schreib bald,

Deine Johanna

**Wer schreibt?**

Mein Vater ist Orchestermusiker. Er spielt Geige. Und meine Mutter ist eine ganz tolle Pianistin. Wir haben zu Hause immer viel Musik gemacht. Ich habe schon sehr früh angefangen, Gitarre zu spielen. **Wer spielt Saxophon?**

Martin möchte hören, wie das Wetter wird. Dazu sucht er nach einem Radioprogramm. **Welches Programm sucht er?**

### 3. Германски (Прв странски јазик) - Општо образование

Прашање

verk. einen gebrauchten Computer.  
sechs Monaten alt, fast neu  
Kontaktname: Anton  
Telefonnummer: 23 32 455

**Was ist das?**

Ich und meine Freundinnen waren oft in der Türkei und Griechenland. Fast jeden Sommer. Wie langweilig. Jetzt möchte ich mal was anderes machen und mit meinem Bruder und mit meiner Schwester Urlaub machen.  
Martina

**Mit wem möchte Martina Urlaub machen?**



### 3. Германски (Прв странски јазик) - Општо образование

Прашање

Ana ist gestern mit der Straßenbahn zur Schule gefahren. Die Straßenbahn hatte 10 Minuten Verspätung. Ana geriet in Panik, spät in die Schule zu kommen.

**Wie fühlt sich Ana?**

Es klingelt. Die Stunde beginnt. Der Geschichtslehrer kommt. Janna hat Angst. Sie hat die letzte Lektion nicht gelernt. Gestern Abend war sie bei ihrer Freundin Marianne. **Warum hat Janna Angst?**

Liebe Hanna,  
ich schreibe dir jetzt, weil ich nämlich einen tollen Typ kennen gelernt habe. Er heißt Harry, ist fünf Jahre älter als ich. Vor zwei Tagen habe ich ihn zum ersten Mal in der Disco gesehen.  
Deine Tanja

**Worüber schreibt Tanja?**

### 3. Германски (Прв странски јазик) - Општо образование

Прашање

Emma hat einen Zettel für Fabian geschrieben: "Nicht vergessen! die Schianzüge, die Schischeuhe; Fahrkarten zu besorgen; Ferienhaus zu buchen!"

**Wohin fahren Emma und Fabian?**

Ema hat zehn Kilo zugenommen. Sie isst zu viel Süßigkeiten und sie sitzt den ganzen Tag am Computer. Sie macht keinen Sport. **Was muss sie jetzt machen?**

Die Jugendherberge liegt bei Konstanz, im nördlichen Vorort Allmannsdorf. Mit Bus (Linie 4) bis Haltestelle „Jugendherberge“, dann ca. 10 Minuten Fußweg. **Wo liegt die Jugendherberge?**

Zimmer mit insgesamt 190 Betten, Vier- und Sechsbettzimmer. Alle Zimmer mit eigener Dusche/WC. Das Haus hat sechs Tagesräume, drei Freizeit- und Spielräume, Bistro, Discoraum. **Was hat jedes Zimmer?**

Ausflugsmöglichkeiten: Stadtbesichtigung in Konstanz (Meerwasseraquarium, Naturmuseum, Geburtshaus von Zeppelin), Schiffsausflug auf dem Bodensee, Ausflug zur Insel Mainau (Blumeninsel), Ausflug in die Schweiz. **Wie ist das Wasser im Aquarium?**

### 3. Германски (Прв странски јазик) - Општо образование

Прашање

Michael ist mit seiner Freundin ins Kino gegangen. Sie haben einen spannenden Film gesehen. Er war sehr zufrieden, aber seine Freundin war etwas nervös.

**Wer war nicht zufrieden?**

Liebe Susanne,  
ich schreibe dir jetzt, weil ich nämlich einen tollen Typ kennengelernt habe. Er heißt Hans, ist vier Jahre älter als ich. Vor zwei Tagen habe ich ihn zum ersten Mal in der Schule getroffen.  
Deine Steffi

**Wem schreibt Steffi ?**

### 3. Германски (Прв странски јазик) - Општо образование

Прашање

Marta hat einen Zettel für ihren Mann Frank geschrieben: "Nicht vergessen!, Badeanzüge, Luftmatraze; Taucherbrille zu besorgen; Zimmer im Hotel reservieren!"

**Wohin fahren Marta und ihr Mann Frank?**

Anna hat zehn Kilo zugenommen. Sie mag kein Obst und kein Gemüse und sie sitzt den ganzen Tag vor dem Fernseher und isst dabei Süßigkeiten. Sie macht keinen Sport. **Was muss sie jetzt machen?**

Das Hotel „Kolumbo“ liegt im Vorort von Konstanz. Man fährt mit der Buslinie Nr.9 bis zum Hotel. **Mit welcher Buslinie fährt man bis zum Hotel Kolumbia?**

Das Hotel Astoria liegt direkt am Strand. Das Hotel wurde vor drei Jahren komplett renoviert. Das Hotel hat fünf Stockwerke (Etagen).

**Wo liegt das Hotel?**

### 3. Германски (Прв странски јазик) - Општо образование

Прашање

Ich und mein Bruder spielen samstags und sonntags Tennis auf dem Tennisplatz. Wir fahren immer mit der S-Bahn dorthin. Die Fahrt in einer Richtung kostet 5 Euro pro Person. **Wohin fahren die Brüder am Wochenende?**

Ich war gestern auf dem Markt und habe Gemüse und Obst gekauft. Dort habe ich halbes Kilo Gurken, ein Kilo Tomaten, ein halbes Kilo rote Paprika, und ein Kilo Kartoffeln gekauft. **Wo kann man Gemüse kaufen?**

Ich war gestern auf dem Markt und habe Gemüse und Obst gekauft. Dort habe ich halbes Kilo Gurken, ein Kilo Tomaten, ein halbes Kilo rote Paprika, und ein Kilo Kartoffeln gekauft. **Wieviel Gemüse habe ich gekauft?**

Freizeiteinrichtungen: Am Haus: Fußballtor, Volleyball, Tischtennis, Grill, Schach, Streetball, Außensitzplätze für ca. 80 Personen. **Was kann man am Haus nicht machen?**

### 3. Германски (Прв странски јазик) - Општо образование

Прашање

Mehrere Jugendliche sind heute sehr dick. Sie essen am meisten vor dem Schlafengehen. Sie sind gar nicht sportlich und sie sitzen den ganzen Tag vor dem Fernsehen. **Wann essen die Jugendlichen am meisten?**

Joana fühlt sich nicht gut. Sie geht zum Arzt und er sagt ihr, dass sie morgens mehr Obst essen soll, aber weniger Schokolade und Kuchen. Und mittags mehr Fleisch. **Was soll Joana frühstücken?**

Ana surft jeden Tag im Internet. Das mag sie sehr. Nur am Wochenende liest sie Zeitschriften, aber sie hört nie Radio. **Was macht Ana nicht?**

Ana surft jeden Tag im Internet. Das mag sie sehr. Nur am Wochenende liest sie Zeitschriften, aber sie hört nie Radio. **Was macht Ana regelmäßig?**

Ana surft jeden Tag im Internet. Das mag sie sehr. Nur am Wochenende liest sie Zeitschriften, aber sie hört nie Radio. **Was macht sie am Samstag und am Sonntag?**

### 3. Германски (Прв странски јазик) - Општо образование

Прашање

Nächste Woche macht Anas Freundin Petra eine Geburtstagsparty. Ana ist sehr glücklich, weil Joan auch kommt. Sie ist in ihn verliebt. Sie träumt jede Nacht von ihm. **Wer träumt?**

Nächste Woche macht Anas Freundin Petra eine Geburtstagsparty. Sie ist sehr glücklich, weil Joan auch kommt. Sie ist in ihn verliebt. Sie träumt jede Nacht von ihm. **Von wem träumt Ana?**

Das Internet ist heute sehr wichtig. Über Internet kann man einkaufen, Reisen buchen... . Immer mehr junge Leute kommunizieren mit Menschen, die sie gar nicht kennen. **Was machen die jungen Leute gern im Internet? - Sie \_\_\_\_\_.**

Ich spiele gern Schach, aber am liebsten mit Opa. Er spielt sehr gut Schach. Er ist wirklich ein sehr guter Schachspieler. **Mit wem spielst du Schach? - Mit meinem \_\_\_\_\_.**

Ana und Maria sind sehr gute Freundinnen. Sie gehen in dieselbe Schule, sie lernen zusammen. Aber Ana ist nie pünktlich. Maria ärgert sich immer darüber. **Warum ärgert sich Maria?**

### 3. Германски (Прв странски јазик) - Општо образование

Прашање

Liebe Ana,  
ich bin so traurig. Heute ist Samstag und ich muss zu Hause bleiben. Ich darf nicht ausgehen, so sagt mein Vater. Er ärgert sich sehr, weil ich eine schlechte Note bekommen habe.  
Deine Ena

**Wer ist verärgert?**

Mein Vater steht sehr früh auf. Zuerst trinkt er einen Kaffee und hört Radio. Dann liest er die Zeitungen. Er informiert sich immer durch das Radio und die Zeitungen, nie durch das Fernsehen. **Wie informiert sich der Vater?**

Ich habe eine Katze. Meine Freundin Maja möchte auch ein Haustier haben. Sie mag mein Kätzchen sehr. Sie liest die Anzeigen jeden Tag. **Was möchte Maja kaufen?**

Marko mag Sport. Er spielt am liebsten Fußball und Basketball. Er spielt schon sehr lange Fußball, fast sechs Jahre. **Wie lange spielt er Fußball?**



### 3. Германски (Прв странски јазик) - Општо образование

Прашање

Ich und meine Eltern waren oft in Italien und Griechenland. Fast jeden Sommer. Wie langweilig. Jetzt möchte ich mal was anderes machen und sehen. Ich möchte mit meinen Freundinnen aus der Schule einen Urlaub machen. **Mit wem möchte sie einen Urlaub machen?**

Am Samstagnachmittag trifft sich Marko mit Jan. Dann gehen sie auf den Tennisplatz. Danach gehen sie ins Café und trinken dort Kaffee und essen Eis. **Was spielen sie?**

Am Samstagnachmittag trifft sich Marko mit Jan. Dann gehen sie auf den Tennisplatz. Danach gehen sie ins Café und trinken dort Kaffee und essen Eis. **Was machen sie im Café?**

In der Freiziet spielen die Jugendlichen am meisten am Computer, surfen gern im Internet. Manchmal treiben sie Sport und sehen fern, aber sie helfen nur selten zu Hause. **Was machen die Jugendlichen regelmäßig in der Freiziet?**

Es ist sehr wichtig, was wir essen und trinken. Wir sollen täglich mehr Obst und Gemüse essen, aber weniger Fett und Süßigkeiten. So werden wir immer gesund und fit. **Was sollen wir jeden Tag essen?**

### 3. Германски (Прв странски јазик) - Општо образование

Прашање

Es ist sehr wichtig, was wir essen und trinken. Wir sollen täglich mehr Obst und Gemüse essen, aber weniger Fett und Süßigkeiten. So werden wir immer gesund und fit. **Wie bleiben wir fit?**

Tanzkurs

Interessierte Schüler melden sich bis Freitag. Am Montag treffen wir uns im Lehrerzimmer.

Frau Bergmann, die Tanzlehrerin

**Was ist das?**

Lisa plant ihre erste Diät. Sie macht eine Liste: keine Süßigkeiten, mehr Obst und Gemüse, weniger Milchprodukte. **Was darf Lisa nicht essen?**

### 3. Германски (Прв странски јазик) - Општо образование

Прашање

Spülmaschine Bosch

Ich verkaufe gebrauchte Spülmaschine der Marke Bosch. Maße: 84 cm hoch; 54,5 cm breit; 60 cm tief. Preis: 120 Euro. Region München, Tel.: 089/7349254

**In dieser Anzeige \_\_\_\_\_ jemand eine Spülmaschine.**

Tim sieht ab und zu Nachrichten im Fernsehen. Er liest Zeitungen und hört Radio. Am Wochenende sitzt er vor dem Computer. **Wie oft sieht Tim Nachrichten?**

Petra wohnt jetzt in Berlin. Sie hat keine Freunde. Ihre Eltern arbeiten fast den ganzen Tag. Wenn sie nach Hause kommen, schauen sie die Nachrichten oder lesen Zeitungen.

**Ist Petra neu in Berlin?**

### 3. Германски (Прв странски јазик) - Општо образование

Прашање

Die Kinder in Deutschland sind zu dick. Sie essen unregelmäßig und viele Süßigkeiten. Sie bewegen sich wenig und sitzen viel vor dem Fernseher.

**Was sollen die Kinder machen?**

Das Internet ist sehr populär bei den Jugendlichen. Im Internet kann man spielen, Texte schreiben, lernen, programmieren, chatten, Grafiken zeichnen.

**Was kann man im Internet nicht machen?**

### 3. Германски (Прв странски јазик) - Општо образование

Прашање

Liebe Doris,

tut mir leid, dass du im Sommer nicht zu mir kommst. Ich hatte viele Pläne:  
zusammen nach Ohrid zu fahren, eine Party zu machen, neue Freunde  
kennenzulernen. Schade!

Liebe Grüße

Beate

**Das ist \_\_\_\_\_.**

### 3. Германски (Прв странски јазик) - Општо образование

Прашање

Liebe Doris,

tut mir leid, dass du im Sommer nicht zu mir kommst. Ich hatte viele Pläne: zusammen nach Ohrid zu fahren, eine Party zu machen, neue Freunde kennenzulernen. Schade!

Liebe Grüße

Beate

**Was plant Beate nicht?**

Tom macht morgen eine Klassenfahrt nach Wien. Alle Mitschüler fahren mit. Der Bus fährt um 08:00 Uhr ab. Treffpunkt: Schulhof.

**Wo treffen sich die Schüler?**

### 3. Германски (Прв странски јазик) - Општо образование

Прашање

Tomi ist seit sieben Tagen in München. Letztes Jahr war er in Frankfurt. Er reist oft und gern. **Wie lange ist Tomi in München?**

Monika und Jasmina suchen die Post. Sie finden den Weg nicht. Monika fragt eine Frau, Jasmina fragt einen Jungen. Die Post ist auf der linken Seite.

**Wen fragt Monika nach dem Weg?**

Monika und Jasmina suchen die Post. Sie finden den Weg nicht. Monika fragt eine Frau, Jasmina fragt einen Jungen. Die Post ist auf der linken Seite.

**Wo ist die Post?**

Florian hat vor einem Monat einen Englischkurs in London gemacht. Er hat in einer Familie gewohnt. **Wo hat Florian einen Kurs gemacht?**

### 3. Германски (Прв странски јазик) - Општо образование

Прашање

Florian hat vor einem Monat einen Englischkurs in London gemacht. Er hat in einer Familie gewohnt. **Wo hat Florian in London gewohnt?**

Karin fährt in Urlaub. Sie hat zu viel Gepäck mitgenommen: Bücher, Rollschuhe, einen Teddy und einen Kassettenrekorder. In den Rucksack passt nicht alles. Sie nimmt ihr Spielzeug nicht mit.

**Was nimmt Karin im Urlaub nicht mit?**

Ohne einen Computer, einen Fernseher, einen Kühlschrank und ein Handy stellt sich Denis sein Leben nicht vor. Aber er kann ohne einen Staubsauger leben. Er gehört sowieso seiner Mutter.

**Was würde Denis am wenigsten fehlen?**

Mami, mein Fahrrad ist kaputt.



### 3. Германски (Прв странски јазик) - Општо образование

Прашање

Ich \_\_\_\_\_ gestern leider nicht kommen, weil ich länger im Büro bleiben musste.

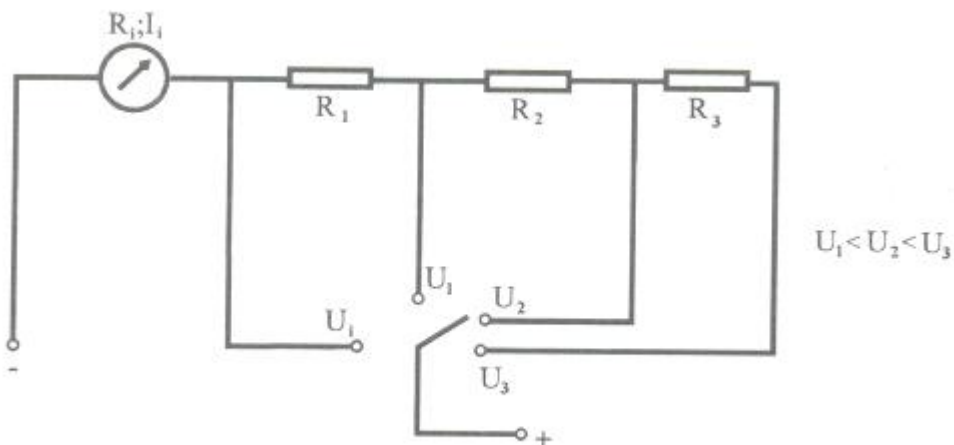
### 4. Електрични мерења - Стручно образование

Прашање

Низа од експериментални постапки чија крајна цел е определување на вредноста на една големина претставува:

При мерење на една големина вршме нејзино споредување со усвоената:

Што е претставено со шемата на сликата?



## 4. Електрични мерења - Стручно образование

### Прашање

Способноста на мерниот инструмент да ја покаже промената на мерената големина се нарекува:

Која е мерната единица за јачина на електричната струја?

Која е мерната единица за електрична отпорност?

Какви треба да се електричниот момент и механичкиот момент кај аналогните мерни инструменти за да може да се изврши мерење?

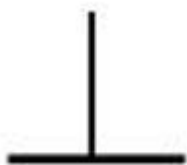
Со кој мерен инструмент се мери јачината на електричната струја?

Со кој мерен инструмент се мери електричниот напон?

Како се нарекува инструментот со кој се мери електричниот отпор?

Со кој мерен инструмент се мери фреквенција?

На скалата од аналогниот мерен инструмент е означен симболот прикажан на сликата. Во каква положба треба да се употребува инструментот?



## 4. Електрични мерења - Стручно образование

Прашање

Како се нарекува формата на скалата кај аналогните мерни инструменти кај кои меѓусебното растојание помеѓу цртчките (поделоците) на скалата е еднакво?

Во мерната практика инструментот со подвижно железо најчесто се користи за мерење на:

На скалата од аналогниот мерен инструмент е означен симболот прикажан на сликата. Што означува симболот?



Како се нарекуваат инструментите со највисока класа на точност?

Кај кој од наведените инструменти мерниот систем е кондензатор?

Како се нарекуваат инструментите кои резултатот од мерењето го прикажуваат на скала со стрелка?

Како се нарекува количникот помеѓу користеното мерно подрачје при мерењето и вкупниот број поделоци на скалата на инструментот?

Вибрационите инструменти најчесто се користат за мерење на:

Кој од наведените инструменти, покрај мерење на електричната големина, врши и вклучување и исклучување на мерното коло?

## 4. Електрични мерења - Стручно образование

Прашање

Кој од наведените инструменти има квадратна форма на скалата?

Зошто намотките кај електродинамичкиот инструмент се поставуваат на феромагнетно јадро?

На кој начин се ограничува струјата низ напонската намотка кај електродинамичкиот ватметар?

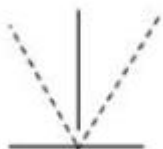
Кој од наведените аналогни инструменти има две напонски намотки?

Како се нарекува бројот кој ни покажува колку изнесува дозволената грешка на инструментот?

Симболот на сликата означува мерен инструмент со:



На сликата е прикажан симбол за принципот на работа на:



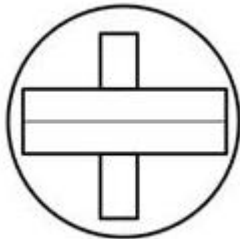
## 4. Електрични мерења - Стручно образование

Прашање

Симболот на сликата означува мерен инструмент со:



На сликата е прикажан симбол за принципот на работа на:



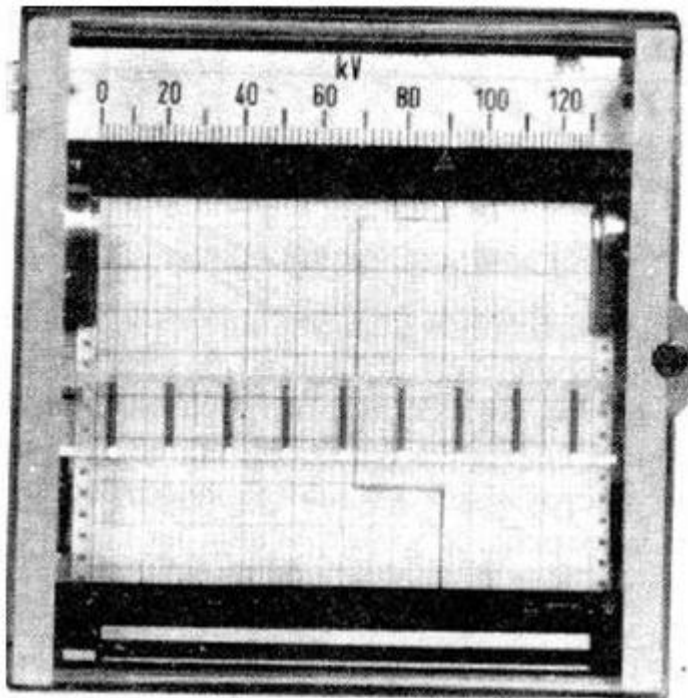
Разликата помеѓу измерената и точната вредност на мерената големина е дефинирана како:

Електростатските инструменти се користат како:

## 4. Електрични мерења - Стручно образование

Прашање

Каков инструмент е прикажан на сликата?



Каков инструмент е прикажан на сликата?



Како треба да се поврзе волтметар во мерно коло при мерење на напон помеѓу краевите на потрошувач?

## 4. Електрични мерења - Стручно образование

Прашање

Како треба да се поврзе амперметар во мерно коло при мерење на струја низ потрошувач?

Шантот со кој е проширено мерното подрачје на инструментот со вртлива намотка треба да има вредност што ќе овозможи:

Кој од наведените инструменти едновремено реагира и на напон и на струја?

Избраното мерно подрачје на инструментот при мерењето секогаш треба да биде:

За што служи алуминиумската рамка на која е поставена намотката на инструментот со вртлива намотка?

Ако ни е позната константата на мерниот инструмент и отклонот на стрелката на инструментот при мерењето, тогаш вредноста на мерената големина можеме да ја пресметаме како:

Колку изнесува најголемата процентуална грешка што смее да ја направи инструментот со класа на точност 1?

Колку изнесува најголемата процентуална грешка на инструментот со класа на точност 0,5?

Како се нарекува инструментот чиј принцип на работа се заснова на дејство на електромагнетна сила врз намотка низ која тече еднонасочна струја?

Магнетното поле кај инструментот со вртлива намотка го создава:

Како се нарекуваат инструментите чиј принцип на работа се заснова на топлинското дејство на електричната струја?

## 4. Електрични мерења - Стручно образование

Прашање

Кај кој од наведените мерни инструменти надворешните магнетни полиња значително влијаат врз точноста на мерењето?

На кој начин може да се постигне проширување на струјното мерно подрачје на инструментот со подвижно железо?

Кое мерно подрачје на инструментот со вртлива намотка може да се прошири со паралелно поврзување на прецизен отпорник (шант) ?

Инструментот со вртлива намотка во својата основна конструкција може да се користи за мерење на:

Од што зависи изборот на мерното подрачје на амперметарот при мерењето?

Амперметарот за наизменична струја ја мери:

На што се заснова принципот на работа на инструментот со вртлива намотка?



## 4. Електрични мерења - Стручно образование

Прашање

Каков инструмент е прикажан на сликата?

Image not found.



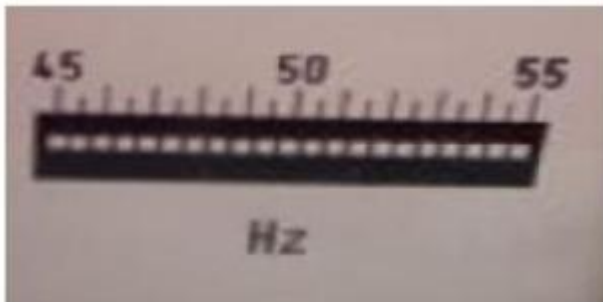
Кое мерно подрачје на инструментот со вртлива намотка може да се прошири со редно поврзување на предотпорник ?

Коефициентот на шантирње  $n$  на инструмент со вртлива намотка со основно мерно подрачје  $I_i$  за ново мерно подрачје  $I$ , е определен со релацијата:

## 4. Електрични мерења - Стручно образование

Прашање

Која електрична величина се мери со инструментот прикажан на сликата?



На што се заснова принципот на работа на електродинамичките инструменти?

Кој го создава механичкиот противмомент кај инструментот со вртлива намотка?

Како се определува вредноста на константата на мерниот инструмент?

Кај инструментот со вртлива намотка како волтметар, количникот помеѓу отпорот на инструментот и основното напонско мерно подрачје се нарекува:

Карактеристичната отпорност на волтметарот со вртлива намотка ни покажува колкав предотпорник треба да се поврзе паралелно на намотката за да се прошири основното мерно подрачје за:

Со електростатските инструменти, чија констукција е составена од повеќе подвижни и неподвижни плочи, може да се измерат напони до:

Како треба да се запише резултатот од мерењето, ако со инструмент со класа на точност 1,5 е измерен напон од 120 V?

## 4. Електрични мерења - Стручно образование

### Прашање

Колку изнесува точната вредност на напонот ако измерената вредност е 100 V, а апсолутната грешка е -2?

Колку изнесува константата на инструментот ако мерното подрачје е 25 A, а скалата има 100 поделоци?

Колку изнесува константата на инструментот ако мерното подрачје е 200 V, а скалата има 100 поделоци?

При мерење на напон со волтметар со класа на точност 1,5 измерен е напон од 100 ( V ). Како треба да се запише резултатот од мерењето?

При мерење на јачината на струјата со амперметар со класа на точност 1, измерената вредност е 10 A. Како треба да се запише резултатот од мерењето?

Колку изнесува константата на амперметарот при мерно подрачје 20 (A) ако неговата скала има 100 поделоци?

Колку изнесува карактеристичната отпорност на волтметарот со вртлива намотка ако отпорот на инструментот е 1  $\Omega$ , а основното напонско подрачје е 10 mV?

Ако кај аналогните мерни инструменти не постои придрушување (амортизација) на стрелката таа:

Колку изнесува измерената моќност со електродинамички ватметар, ако константата на ватметарот е 2 ( W/поделок), а отклонот на стрелката 50 поделоци?

## 4. Електрични мерења - Стручно образование

### Прашање

Колку изнесува вредноста на измерениот напон, ако константата на волтметарот е  $2 \text{ V/под}$ , а отклонот на стрелката е 50 поделоци?

Колку изнесува вредноста на напонот при полн отклон на стрелката на инструментот, ако е избрано мерно подрачје од  $200 \text{ (V)}$ ?

Како ќе се промени константата на инструментот ако мерното подрачје се намали 10 пати?

Како ќе се промени константата на инструментот ако мерното подрачје се зголеми 2 пати?

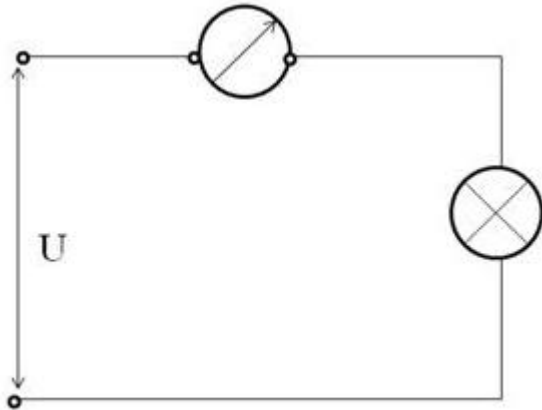
Колку изнесува вредноста на измерената струја ако при мерењето е избрано мерно подрачје  $3 \text{ A}$ ?



## 4. Електрични мерења - Стручно образование

### Прашање

Инструментот прикажан на сликата е правилно поврзан ако со него се мери:



Колку изнесува коефициентот на шантирање ако на инструментот со вртлива намотка со основно мерно подрачје  $0,01\text{ A}$  треба да му се прошири мерното подрачје на  $1\text{ A}$ ?

Во кој интервал се наоѓа точната вредност на мерената големина, ако измерената вредност на напонот е  $200\text{ V}$ , а класата на точност на инструментот е  $1$ ?

Во кој интервал се наоѓа точната вредност на мерената големина, ако измерената вредност на напонот е  $50\text{ V}$ , а класата на точност на инструментот е  $1$ ?

Колку изнесува апсолутната грешка, ако при мерење на струја од  $5\text{ A}$ , амперметарот покажал  $4,9\text{ A}$ ?

Колку изнесува апсолутната грешка, ако при мерење на напон од  $100\text{ V}$ , волтметарот покажал напон од  $99\text{ V}$ ?

Колку изнесува процентуалната грешка, ако при мерење на јачина на струја од  $50\text{ A}$ , измерена е струја од  $49\text{ A}$ ?

## 4. Електрични мерења - Стручно образование

Прашање

Колку изнесува процентуалната грешка, ако при мерење на напон од 50 V, измерен е напон од 51 V ?

Апсолутната грешка при мерењето на напонот изнесува 1 (V). Ако измерената вредност изнесува 100 (V), колку е точната вредност на напонот?

При мерење на струјата со амперметар со класа на точност 1 е измерена јачина на струјата од 2 (A). Како треба да се запише резултатот од мерењето?

Колку изнесува измерениот напон, ако константата на инструментот е 2[V/под], а отклонот на стрелката е 30 поделоци?

Колку изнесува јачината на струјата, ако константата на инструментот е 0,5[A/под], а отклонот на стрелката е 40 поделоци?

Електронските инструменти претставуваат комбинација на инструмент со вртлива намотка и:

Мерењето на електричните големини со електронски инструмент се сведува на :

Магнетоелектричниот механизам кај електронските аналогни инструменти е:

Со која од наведените ознаки се означува еднонасочна големина ?

## 4. Електрични мерења - Стручно образование

Прашање

Симболот прикажан на сликата означува:

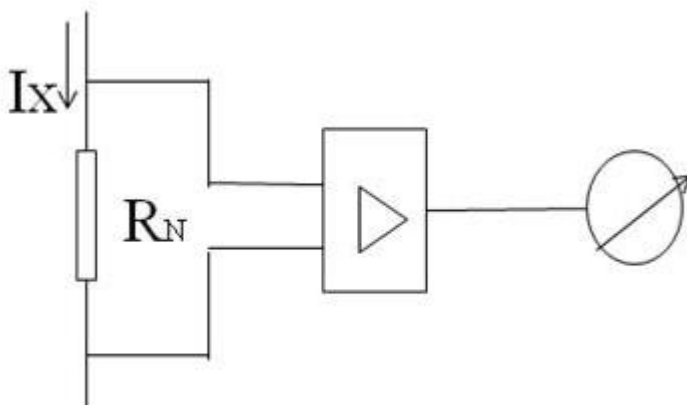


Колку изнесува влезната отпорност кај електронските мерни инструменти?

Која е основната одлика на електронските мерни инструменти?

Како се нарекува електронскиот инструмент за мерење на моќност кој резултатот од мерењето го прикажува на скала со стрелка?

На сликата е прикажана принципиелна блок шема на:



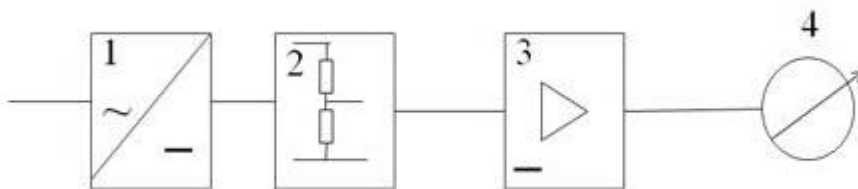
Како се нарекува дигиталниот инструмент со кој може да се мерат повеќе големини?

## 4. Електрични мерења - Стручно образование

Прашање

Напонот на влезот на мерниот засилувач кај електронските мерни инструменти е со вредност од ред на големина:

Кај електронскиот волтметар за наизменичен напон прикажан на сликата, наизменичниот напон се преобразува во еднонасочен со помош на блокот означен со:



Кој од наведените инструменти имаат занемарливо мала сопствена потрошувачка?

Како се нарекуваат инструментите кои резултатот од мерењето го прикажуваат на дисплеј со бројка?

На дисплејот на инструментот на сликата е прикажана вредноста на:

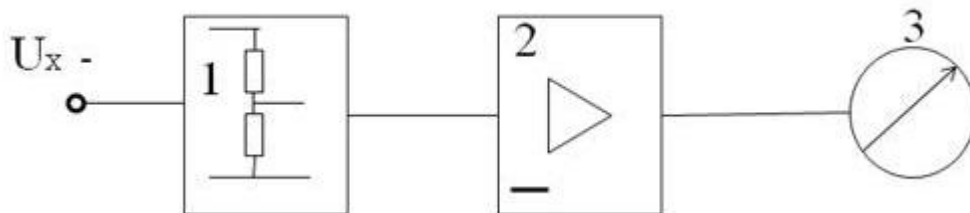




## 4. Електрични мерења - Стручно образование

Прашање

На сликата е претставена принципиелна блок шема на:



Од каде се врши отчитувањето на вредноста на мерената големина кај дигиталниот мерен инструмент?

Како се нарекува електронскиот инструмент за мерење на моќност кој резултатот од мерењето го прикажува на дисплеј со бројка?

Каков инструмент е прикажан на сликата?



## 4. Електрични мерења - Стручно образование

Прашање

Во која положба треба да се постави преклопката на дигиталниот мултиметар за да мериме наизменична струја?

Во која положба треба да се постави преклопката на дигиталниот мултиметар, ако треба да мериме наизменичен напон?

Каков инструмент е прикажан на сликата?



Каков инструмент е прикажан на сликата?

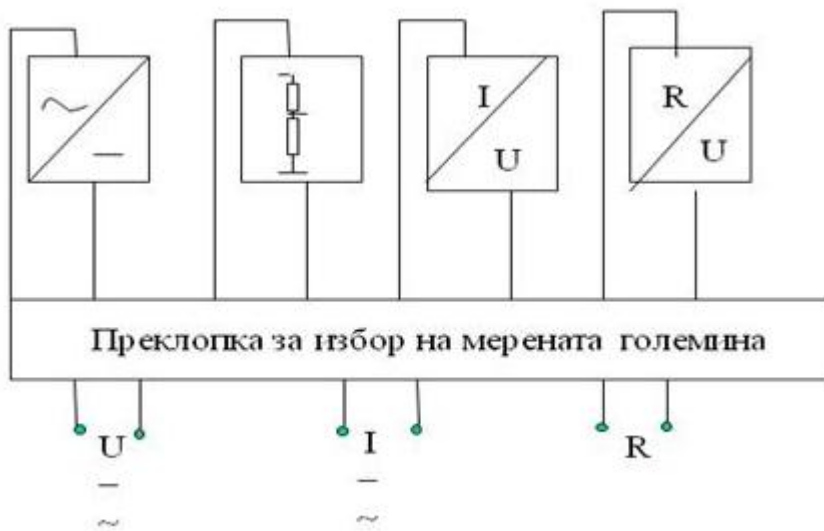


Како се нарекува постапката со која се преминува од непрекината-аналогна големина кон дискретен ред од вредности-дигитална големина?

## 4. Електрични мерења - Стручно образование

### Прашање

На сликата е прикажана принципиелна блок шема на:



Која е основната функција на мерниот засилувач?

Со кој од наведените изрази е определен коефициентот на засилување  $A$ , ако влезниот напон е означен со  $U_i$ , а излезниот напон со  $U_o$ ?

Кај дигиталните мерни инструменти, преобразбата на аналогна во дигитална големина ја врши:

Колку изнесува вредноста на 1 дигит кај електронски волтметар со  $3\frac{1}{2}$  дигити?

Елементот кој служи за прилагодување на напонот на влезот на засилувачот кај дигиталните мерни инструменти се нарекува:

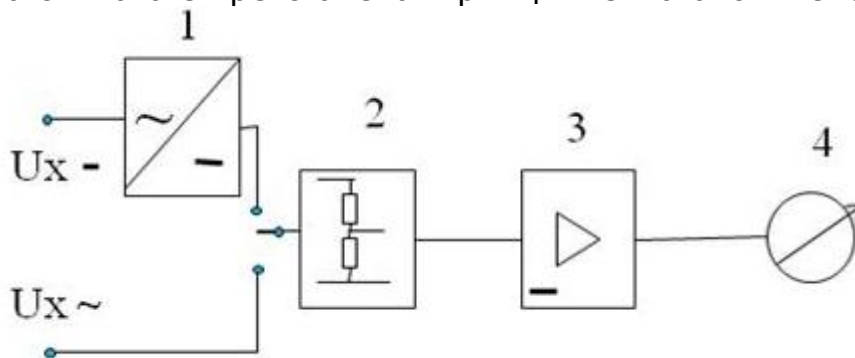
Со каков инструмент треба да се изврши мерењето на јачината на струјата, ако моќноста во колото е многу мала?

## 4. Електрични мерења - Стручно образование

Прашање

Кај дигиталниот мултиметар изборот на величината што треба да се мери се врши со помош на:

На сликата е претставена принципиелна блок шема на:



Мерниот засилувач кај квалитетните електронски мерни инструменти се карактеризира со засилување кое:

Каква треба да биде сопствената потрошувачка на мерниот инструмент за мерењето да биде поточно?

Колку изнесуваат избраните струјно и напонско мерно подрачје на електронскиот ватметар прикажан на сликата?



## 4. Електрични мерења - Стручно образование

Прашање

Колку изнесува константата на ватметарот при избрани мерни подрачја како што е прикажано на сликата, ако факторот на моќност на ватметарот е 1, а неговата скала има вкупно 100 поделоци?



Која величина не може да се измери со инструментот прикажан на сликата?



За да се обезбеди стабилно засилување на засилувачот кај електронските мерни инструменти тој треба да биде изведен:

Што е потребно да има електронскиот мерен инструмент за да може со него да се изврши мерење?

## 4. Електрични мерења - Стручно образование

Прашање

Кај електронските аналогни инструменти за наизменичен напон задолжително се врши преобразба на:

Негативната повратна врска на засилувачот кај електронските инструменти овозможува:

При мерење на напон со електронски волтметар со класа на точност 1 измерен е напон од 220 (V). Како треба да се запише резултатот од мерењето?

Колку изнесува моќноста измерена со инструментот прикажан на сликата?



## 4. Електрични мерења - Стручно образование

Прашање

Колку е вредноста на измерениот напон со инструментот прикажан на сликата?



Со прецизен дигитален волтметар со  $5 \frac{1}{2}$  дигити на мерно подрачје од 20 V мерен е еталонски напон со вредност од 20 V. На дисплејот на инструментот треба да биде запишано:

За мерното подрачје од 10 (V) на еден дигитален волтметар со  $3 \frac{1}{2}$  дигити, вредноста на еден дигит изнесува:

Мерењето на јачината на струјата со електронски амперметар се сведува на мерење на:

При избор на мерното подрачје на амперметарот, неопходно е претходно да ја пресметаме јачината на струјата во електричното коло со примена на:

На сликата е прикажан дисплеј на дигитален инструмент со:



## 4. Електрични мерења - Стручно образование

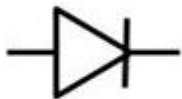
Прашање

Кај дигиталните инструменти со дисплеј со  $7\frac{1}{2}$  дигити, вредноста на еден дигит изнесува:

Со вредноста на 1 дигит кај дигиталните мерни инструменти се определува:

Со кој елемент се врши преобразба на дигитална во аналогна големина?

Ознаката на дигиталниот мултиметар прикажана на сликата означува положба на преклопката во која се врши:



Отпорник со моќност  $P$  е приклучен на напон  $U$ . Јачината на струјата низ отпорникот можеме да ја пресметаме со релацијата:

Потрошувач со моќност  $100\text{ W}$  е приклучен на еднонасочен напон од  $10\text{ V}$ . Кое од наведените мерни подрачја на амперметарот треба да го избереме при мерење на струјата низ потрошувачот?

Отпорник со отпор  $10\ \Omega$  е приклучен на еднонасочен напон од  $30\text{ V}$ . Кое од наведените мерни подрачја на амперметарот треба да го избереме при мерење на струјата низ отпорникот?

Кај дигиталниот инструмент при примена на опцијата звучен сигнал за мерење на отпор, инструментот дава звучен сигнал ако:

Дигиталниот мултиметар работи на принцип на волтметар кој за мерење на различни големини користи:



## 4. Електрични мерења - Стручно образование

Прашање

Која моќност може да се измери со UI метода, во коло со наизменична струја, ако факторот на моќност на приклучениот потрошувач е различен од 1?

Што овозможува осцилоскопот како мерен инструмент?

Како се нарекува мерниот инструмент прикажан на сликата?



Како се нарекува светлосната крива што се добива на екранот на осцилоскопот?

Што се движи во осцилоскопот?

Кој го создава електронскиот сноп во осцилоскопот?

При судир на електроните со екранот на осцилоскопот, нивната кинетичка енергија се претвора во:

На електродите за хоризонтален отклон на млазот на осцилоскопот, се доведува:

Вредноста на едно квадратче од мрежата на екранот на осцилоскопот по X – оската се дефинира со преклопникот:

## 4. Електрични мерења - Стручно образование

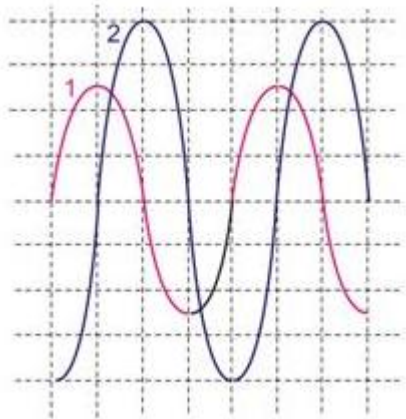
Прашање

Вредноста на едно квадратче од мрежата на екранот на осцилоскопот по Y – оската се дефинира со преклопникот:

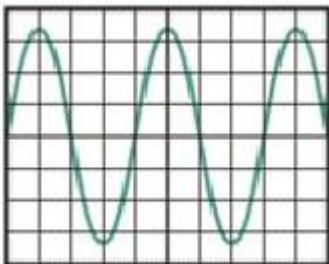
Ефективна вредност на наизменичен синусен напон измерена со осцилоскоп изнесува 220 V. Колку изнесува максималната вредност на напонот?

Ако периодите на два сигнали се еднакви ( $T_1 = T_2$ ) тогаш нивните фреквенции се:

Каква е зависноста меѓу фреквенциите на дадените сигнали на осцилограмот?



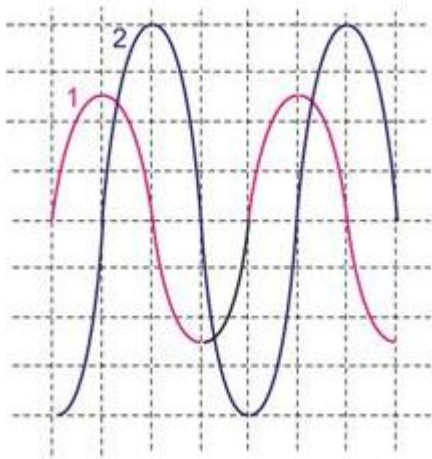
Колкав е периодот на сигналот прикажан на осцилоскопот, ако копчето време/поделка е на положбата од 1ms?



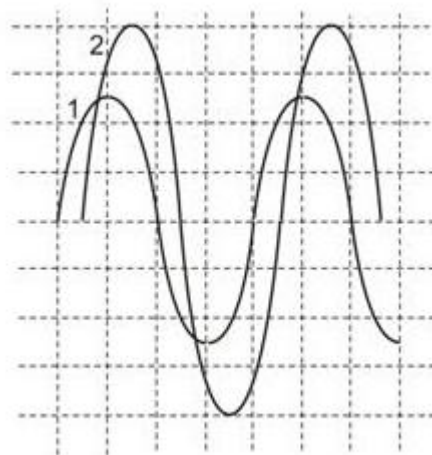
## 4. Електрични мерења - Стручно образование

### Прашање

Пресметај ја фазната разлика меѓу двата наизменични сигнали прикажани на осцилограмот.



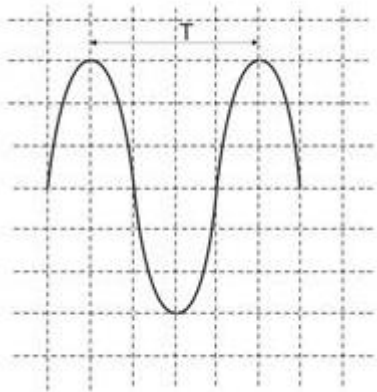
Пресметај ја фазната разлика меѓу двата наизменични сигнали прикажани на осцилограмот.



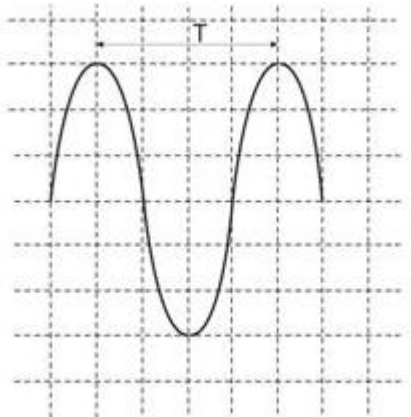
## 4. Електрични мерења - Стручно образование

### Прашање

Колку изнесува периодата на мерениот напон со осцилоскоп на кој е добиен дадениот осцилограм кога копчето TIME/div е поставено во положба 5 ms/div?



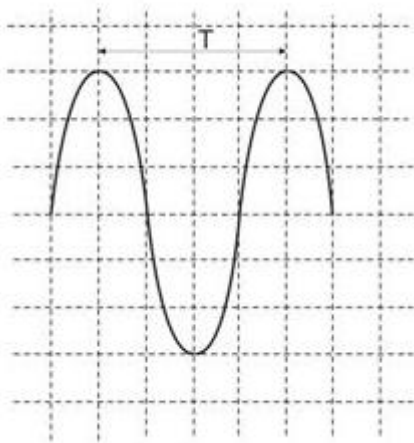
Колку изнесува фреквенцијата на мерениот напон со осцилоскоп на кој е добиен дадениот осцилограм кога копчето TIME/div е поставено во положба 5 ms/div?



## 4. Електрични мерења - Стручно образование

### Прашање

Колку изнесува ефективната вредност на мерениот напон со осцилоскоп на кој е добиен дадениот осцилограм кога копчето VOLT/div е поставено во положба 1 V/div?



Како се делат мерните трансформатори според нивната намена?

Стандардизираната вредност на номиналниот секундарен напон на двополно изолираниот напонскиот мерен трансформатор изнесува:

Стандардизираните вредности на номиналната секундарна струја на струјните мерни трансформатори изнесуваат:

За какви моќности се конструираат мерните трансформатори?

За кој режим на работа се конструирани струјните мерни трансформатори?

За кој режим на работа се конструирани напонските мерни трансформатори?

Номиналниот преносен однос на струјниот мерен трансформатор претставува:

## 4. Електрични мерења - Стручно образование

### Прашање

Кај еднополно изолираните напонски мерни трансформатори едниот крај од примарната намотка е заземјен, а другиот се поврзува на:

Колку изнесува номиналниот преносен однос на напонскиот мерен трансформатор со номинален примарен напон 35 kV и номинален секундарен напон 100 V?

Најголемото дозволено отстапување на примарниот напон во однос на номиналниот примарен напон на напонскиот мерен трансформатор што нема да влијае на точноста на мерењето изнесува:

Колкава грешка прави мерниот трансформатор со класа на точност 3?

Кој од наведените инструменти треба да се поврзе на секундарот на струјниот мерен трансформатор?

Преносниот однос на идеалниот мерен трансформатор е 1000. Колку ќе изнесува вредноста на мерената големина на секундарот од мерниот трансформатор во однос на примарната?

Колку ќе биде напонот на краевите на секундарот на напонскиот трансформатор во (V), ако примарната намотка на напонскиот трансформатор има 1000 навивки и напон на влез 220 V, а секундарната намотка има 500 навивки?

При индиректно мерење на наизменична струја преку струен мерен трансформатор со класа на точност 1, измерената струја на секундарот изнесува 5 A. Преносниот однос на мерниот трансформатор е 100. Во кој интервал се наоѓа точната вредност на примарната струја?

## 4. Електрични мерења - Стручно образование

### Прашање

Преносниот однос на идеалниот мерен трансформатор е 1000. Колку ќе изнесува вредноста на примарната страна од мерниот трансформатор во однос на измерената вредност на секундарот од мерниот трансформатор?

Колку изнесува јачината на струјата во мрежата, ако измерената струја на секундарот на струјниот мерен трансформатор со номинален преносен однос  $k_n=50 / 5 \text{ A}$ , изнесува 4,9 A?

Колку изнесува примарниот напон, ако измерениот секундарен напон со напонски мерен трансформатор со номинален преносен однос  $k_n=10000/100 \text{ V}$ , изнесува 99 V?

Активната моќност во коло со наизменична струја може да се измери со:

Електричната моќност во коло со еднонасочна струја е определена со изразот:

Со која буква се означува потрошената електрична енергија?

Со која буква се означува привидната моќност?

Со која буква се означува реактивната моќност?

Активната моќност во коло со наизменична струја е дефинирана со изразот:

Со која буква се означува електричниот отпор?

Како се означува мерната единица на електричниот отпор?

Витстоновиот мост се користи за мерење на отпор со вредност:

## 4. Електрични мерења - Стручно образование

Прашање

Со која буква се означува индуктивноста?

Која е мерната единица за индуктивност?

Со која буква се означува капацитивноста?

Која е мерната единица за капацитивност?

Со кој инструмент може да се измери магнетниот флукс?

Која е основната карактеристика на компензационото мерење на еднонасочен напон?

Со кој мерен мост се врши мерењето на капацитивноста?

Определување на видот на дефектот на кабелот се врши со:

Кој услов треба да го задоволува вредноста на отпорноста на изолацијата  $R_{iz}$  во зависност од номиналниот напон  $U_n$  на електричната инсталација во која се врши мерењето?

Заштитното заземјување на уреди и потрошувачи, се изведува со цел да се спречи:

При дефект и појава на напон на металните делови што во нормални услови не се под напон, заземјувањето треба да овозможи:

Одведување на струјата од атмосферското празнење во земја се врши со помош на:



## 4. Електрични мерења - Стручно образование

Прашање

На кој начин се врши компензационото мерење на струја?

Која е основната единица за мерење на активната моќност?

Која е основната единица за мерење на реактивната електрична енергија?

Која е основната единица за мерење на активната електрична енергија?

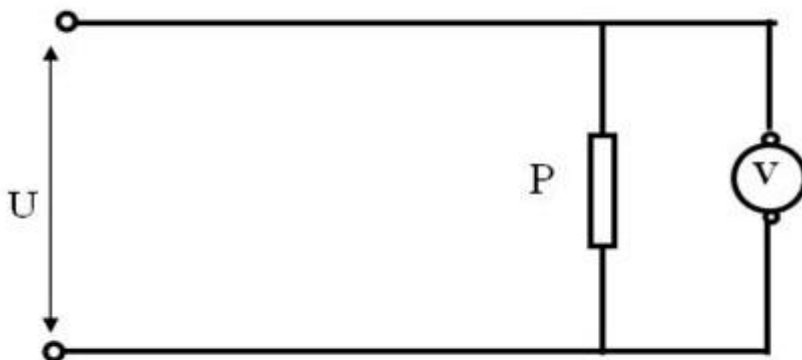
Како се дефинира електричната енергија?

Со колку приклучоци се поврзува амперметарот во мерното коло?

Како се поврзува фреквенциометарот во мерното коло при мерење на фреквенцијата на наизменичниот напон?

Со колку приклучоци се поврзува волтметарот во мерното коло?

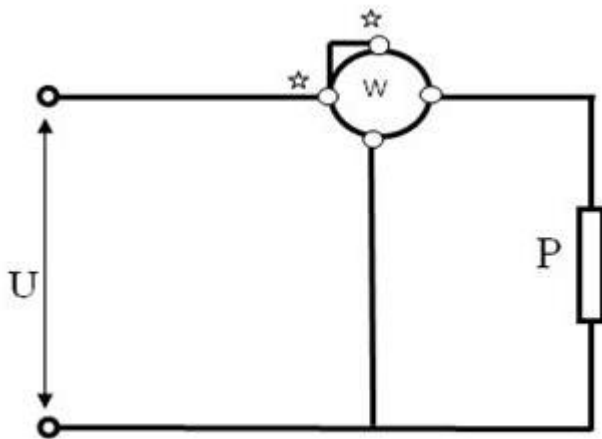
Која големина може да се измери со мерното коло прикажано на сликата?



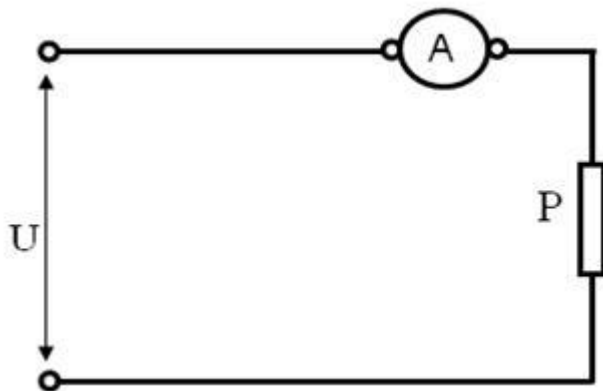
## 4. Електрични мерења - Стручно образование

Прашање

Која големина се мери со мерното коло прикажано на сликата?



Која големина се мери со мерното коло прикажано на сликата?



Во која единица се мери потрошената електрична енергија во домаќинствата?

Која електрична големина се мери со  $\cos\phi$ -метар?

## 4. Електрични мерења - Стручно образование

Прашање

Која електрична големина се мери со ватметар?

Која големина се мери со варметар?

При мерење на моќност со електродинамички ватметар, инструментот во мерното коло го поврзуваме со:

Колку изнесува номиналната вредност на фреквенцијата на наизменичниот напон на градската мрежа во РМ?

Колку изнесува номиналната вредност на линискиот напон на градската мрежа во РМ?

Како се нарекуваат мостните мерни методи?

Мерењето на отпори со вредности поголеми од  $1 \Omega$  се врши со:

При индиректно мерење на напони, волтметарот се поврзува преку:

При индиректно мерење на струи, амперметарот се поврзува преку:

Како треба да се поврзе електричното броило во високонапонската мрежа?

Доколку нема ватметар, со кои инструменти може да се измери моќноста во кола со еднонасочни струи?

Со што се мери електрична отпорност помала од  $1 \Omega$ ?

## 4. Електрични мерења - Стручно образование

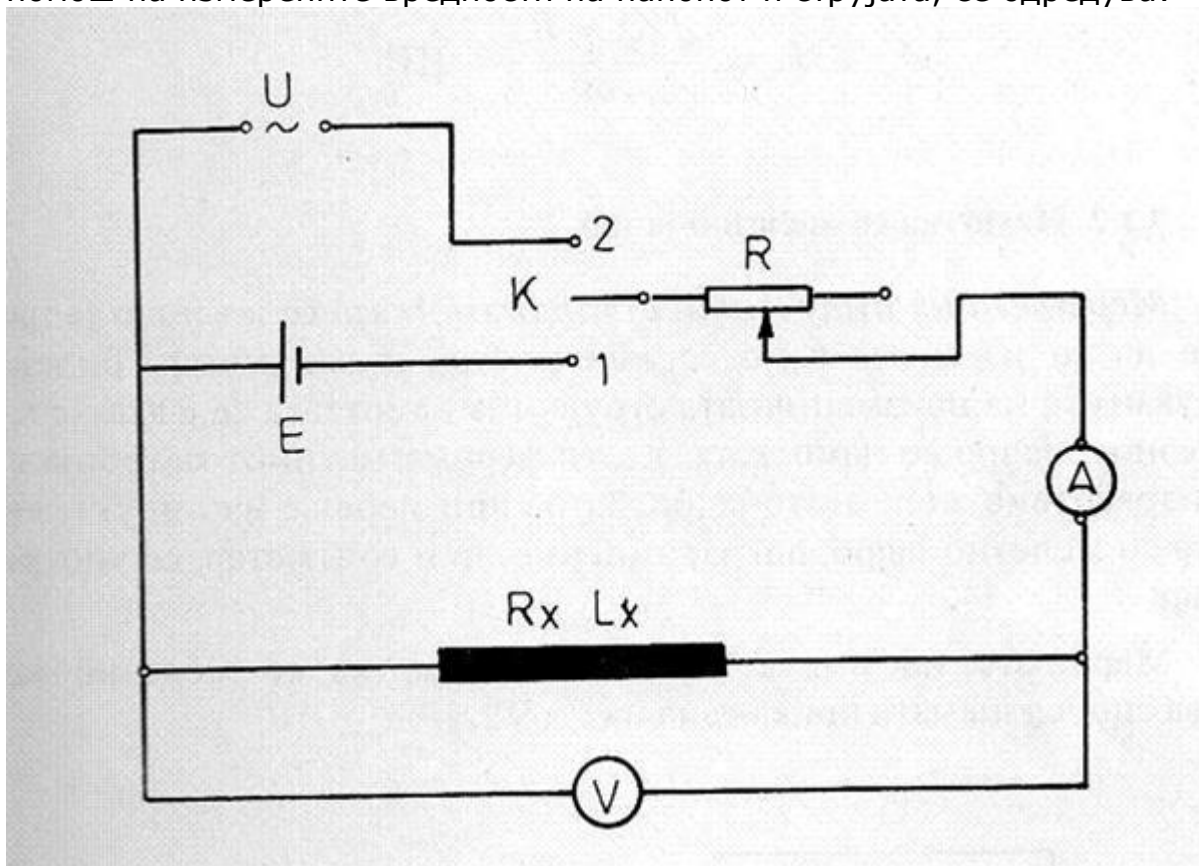
Прашање

Инструментот за мерење на фактор на моќност,  $\cos\varphi$ -метар, во мерното коло се поврзува исто како кој инструмент?

Кое од наведените мерни подрачја на амперметарот треба да се избере при мерење на струја со јачина од 4 А?

Со каква струја се мери омската отпорност?

Кога контактот „К“ се наоѓа во положба 1, на електричната шема за мерење на индуктивност на намотка без железно јадро, прикажана на сликата, со помош на измерените вредности на напонот и струјата, се одредува:

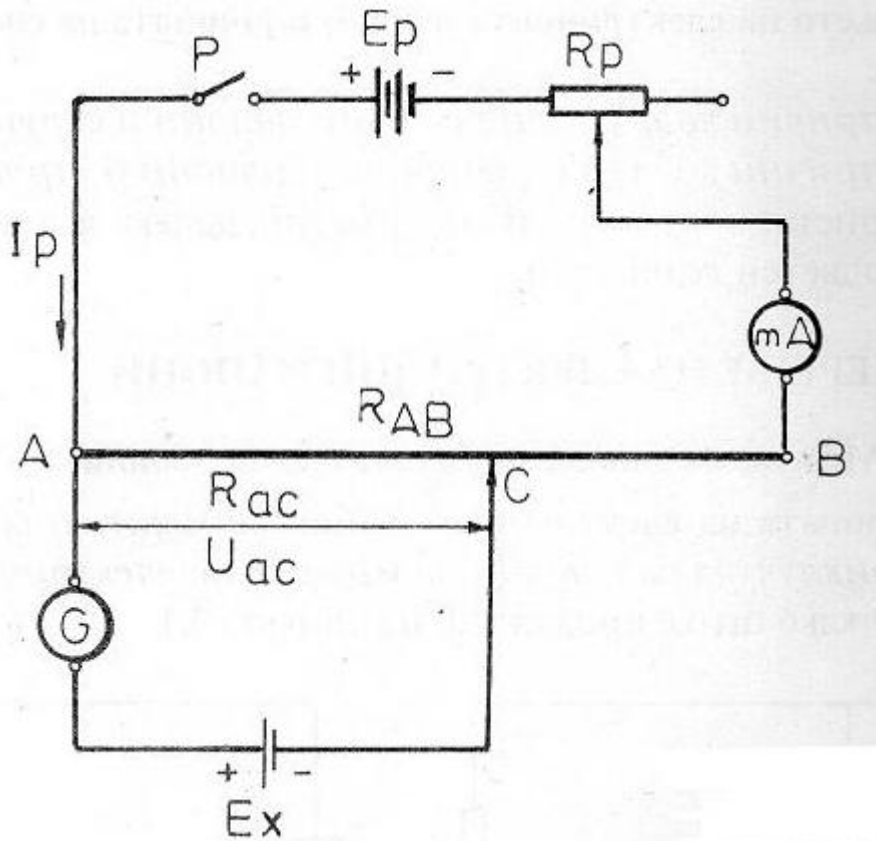


Која зависност ни е претставена со хистерезната крива?

## 4. Електрични мерења - Стручно образование

Прашање

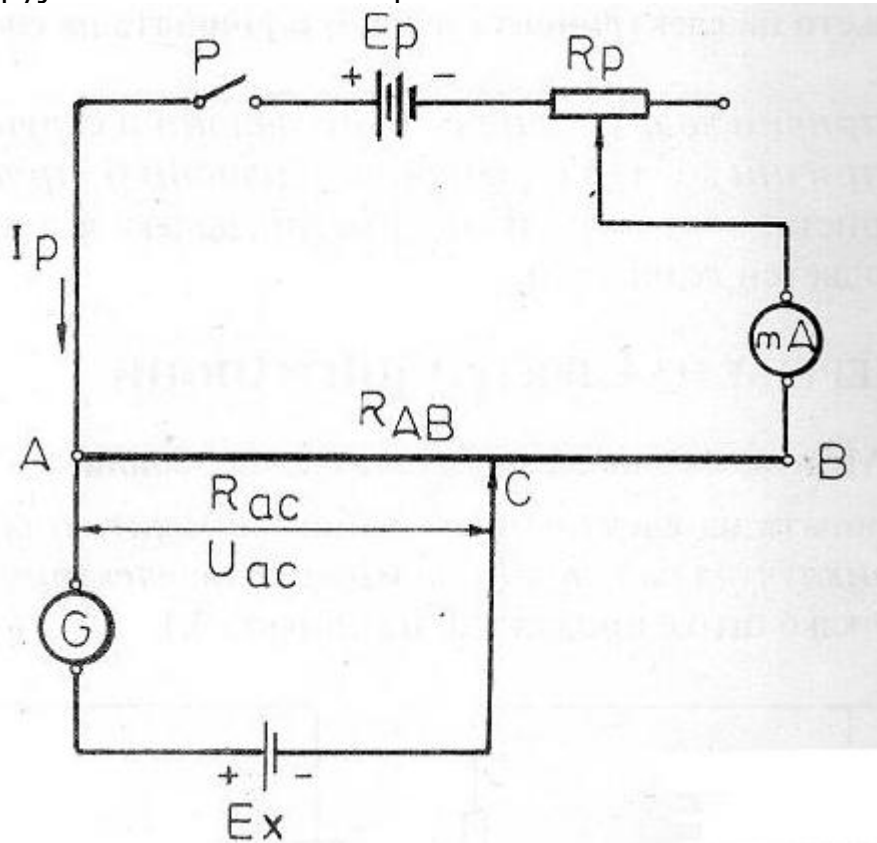
Која метода се користи за мерење на напонот на непознатиот извор на еднонасочен напон  $E_x$ , со електричната шема прикажана на сликата?



## 4. Електрични мерења - Стручно образование

### Прашање

На сликата е прикажана електрична шема за компензационо мерење на еднонасочен напон. Со кој елемент од колото се врши нагодување на струјата низ галванометарот?

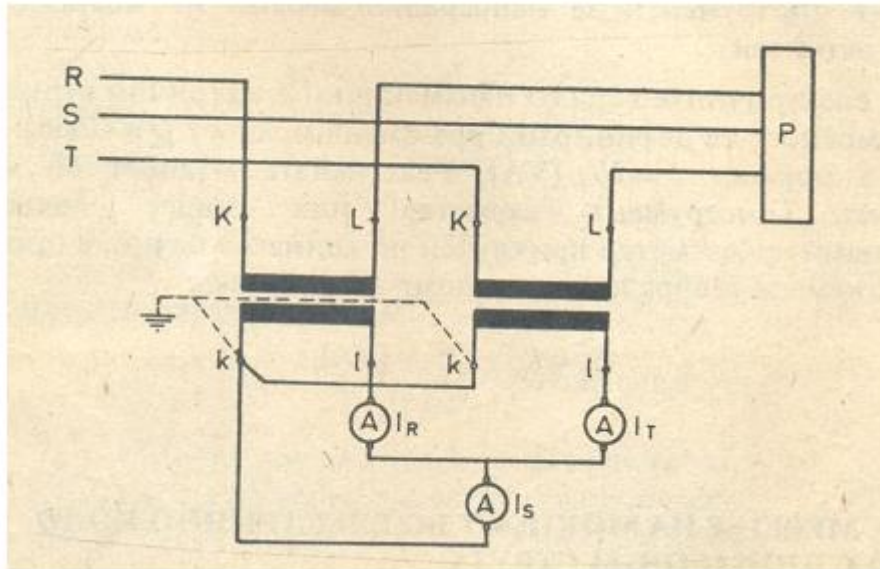


Зошто компензационото мерење на еднонасочен напон се карактеризира со висока точност на мерењето?

## 4. Електрични мерења - Стручно образование

### Прашање

Шемата претставува индиректна врска за мерење на:



Загубите во железото се особено значајни при избор на материјал за изработка на:

Колку треба да биде номиналниот преносен однос на напонскиот мерен трансформатор кој треба да се примени при индиректно мерење на напон во 35 kV мрежа?

Во каква врска се поврзуваат броилата за мерење електрична енергија во електричните мрежи со напон до 380 (V) и струи со јачини до 50 (A)?

Што ќе се случи во мерното коло ако сериски на потрошувачот се приклучи идеален волтметар со правилно избрано мерно подрачје?

## 4. Електрични мерења - Стручно образование

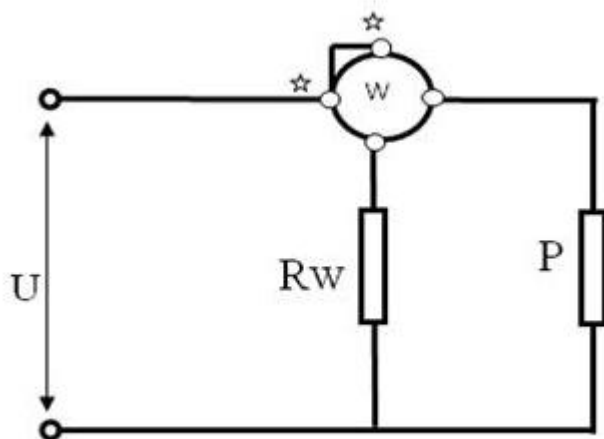
### Прашање

Во трифазен симетрично оптоварен четириводен систем измерена е активната моќност со ватметар поврзан во едната фаза. Колку изнесува вкупната моќност во трифазниот систем во однос на измерената моќност со ватметарот?

Измерените вредности на моќноста во трите фази на трифазниот несиметрично оптоварен четириводен систем се  $P_1$ ,  $P_2$  и  $P_3$ . Колку изнесува вкупната моќност  $P$  во трифазниот систем?

Колку изнесува факторот на моќност на потрошувач на кој активната моќност му е еднаква на привидната?

За што служи отпорникот означен со  $R_W$  на електричната шема прикажана на сликата?



Поврзувањето на ватметарот во полуиндиректна врска се остварува со:

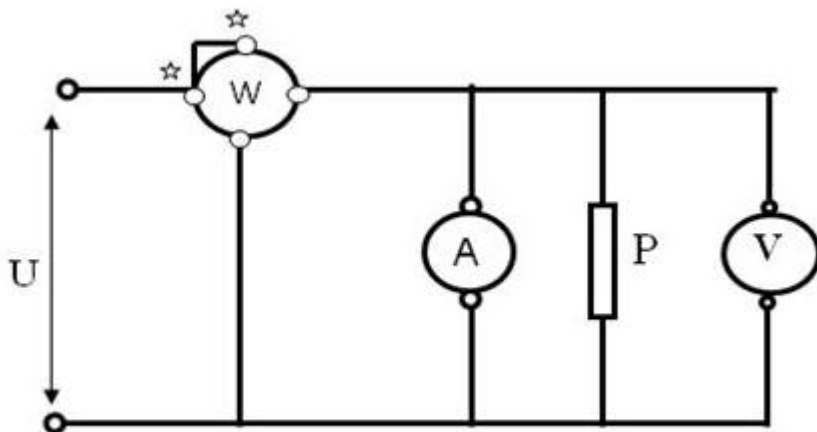
Поврзувањето на ватметарот во индиректна врска се остварува со:



## 4. Електрични мерења - Стручно образование

Прашање

Кој од мерните инструменти во електричната шема НЕ е правилно поврзан?



При мерење на моќност со електродинамички ватметар, измерената моќност се пресметува како:

На кој начин се пресметува константата на ватметарот, ако факторот на моќност на ватметарот е 1?

На сликата е прикажана табелата од која може да се отчита вредноста на константата на ватметарот. Колку изнесува константата на ватметарот ако избраното струјно и напонско мерно подрачје се 5A и 300V соодветно?

Струјно мерно подрачје	Напонско мерно подрачје		
	150 V	300 V	450 V
5 A	$K_w = 5W/\text{поделок}$	$K_w = 10W/\text{поделок}$	$K_w = 15W/\text{поделок}$
10A	$K_w = 10W/\text{поделок}$	$K_w = 20W/\text{поделок}$	$K_w = 30W/\text{поделок}$

## 4. Електрични мерења - Стручно образование

Прашање

Кога Витстоновиот мост е во рамнотежа?

Ако номиналниот преносен однос на мерниот трансформатор со кој е извршено индиректно мерење напон изнесува  $k_n = (10000/\sqrt{3})/(100/\sqrt{3})$ , тогаш вредноста на примарниот напон ќе биде:

Ако е позната активната и привидната моќност на еден потрошувач, тогаш факторот на моќност на потрошувачот може да се одреди како:

Како треба да се поврзе ватметарот при мерење на моќност во високонапонска мрежа со мала јачина на струјата?

При мерење на моќност во нисконапонска мрежа со голема јачина на струјата, ватметарот треба да се поврзе преку:

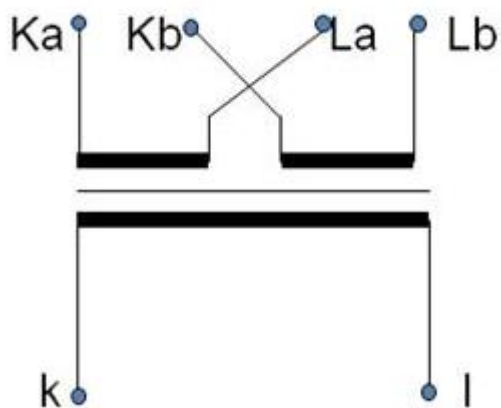
Што ни овозможува инструментот прикажан на сликата?



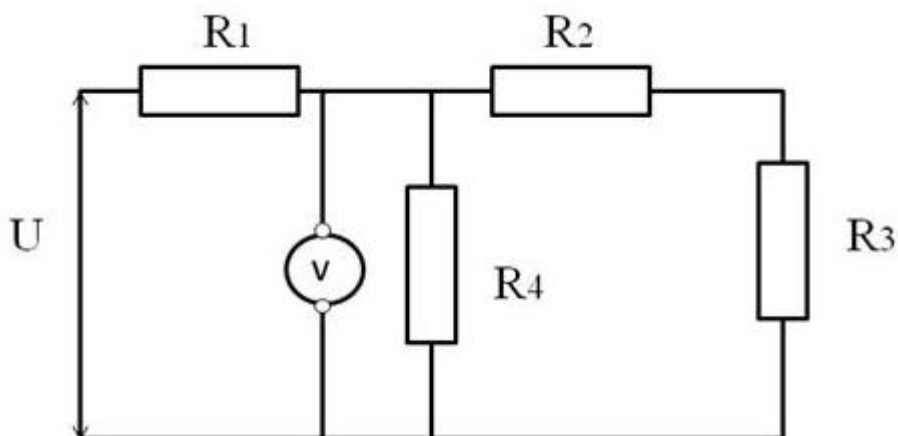
## 4. Електрични мерења - Стручно образование

### Прашање

При паралелна врска на двата дела од примарната намотка на струјниот мерен трансформатор прикажан на сликата ( $L_a$  со  $L_b$ , и  $K_a$  со  $K_b$ ), тој може да се користи за мерење на:



Волтметарот на сликата го мери падот на напонот на отпорникот:

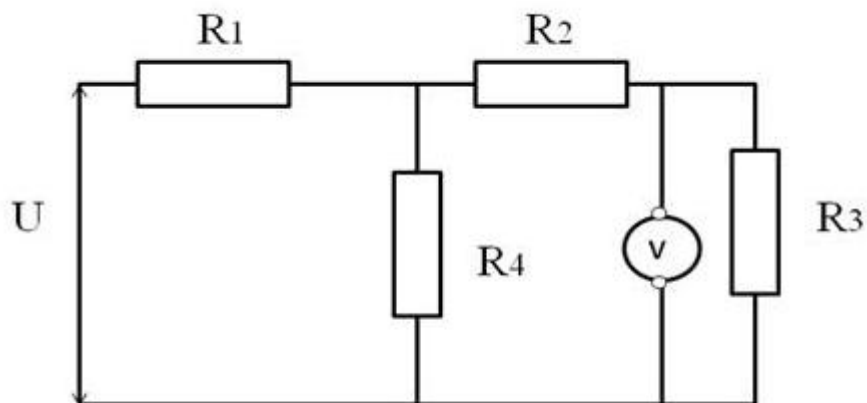


При индиректно мерење на потрошената електрична енергија, потрошената енергија на примарната страна се пресметува кога измерената вредност на секундарната страна ќе се помножи со:

## 4. Електрични мерења - Стручно образование

### Прашање

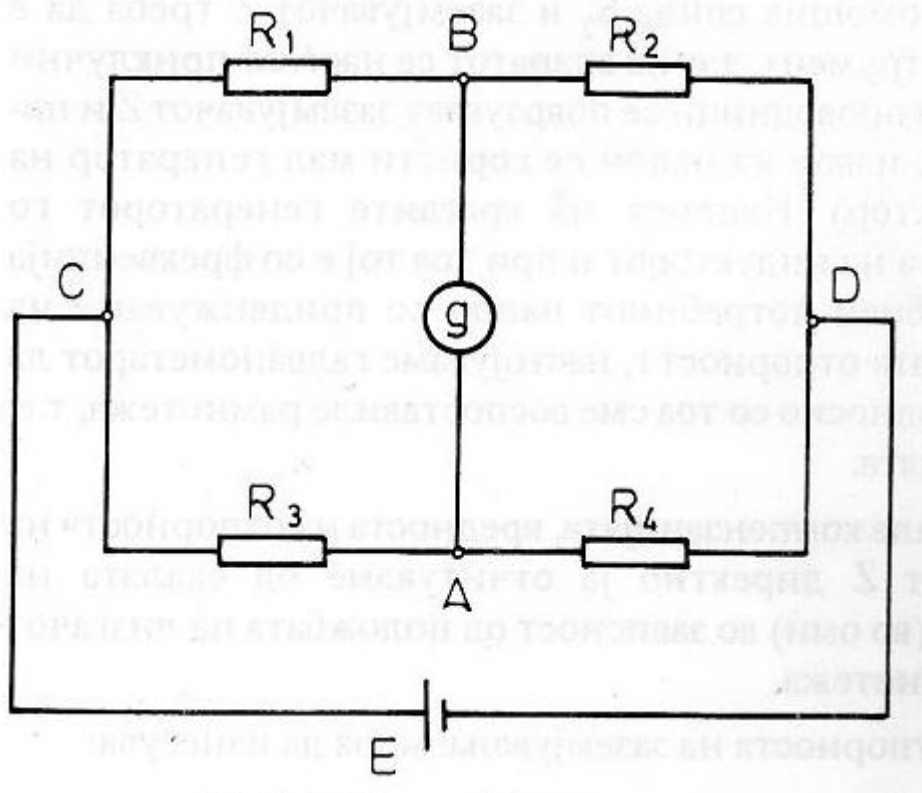
Волтметарот прикажан на сликата го мери падот на напонот на отпорникот означен со:



## 4. Електрични мерења - Стручно образование

### Прашање

На сликата е прикажана електрична шема на Витстонов мост. Со кој израз се пресметува непознатата отпорност  $R_1$ ?

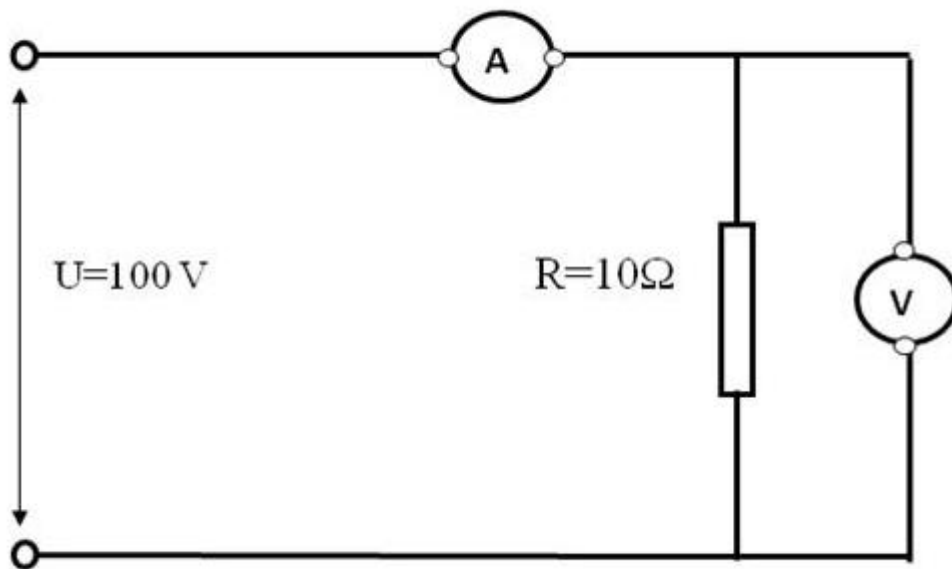


При индиректно мерење на моќност во еднофазен систем, измерената моќност на секундарната страна е  $1\text{W}$ . Номиналниот преносен однос на струјниот мерен трансформатор е  $500/5\text{ A}$ , а на напонскиот мерен трансформатор е  $(10000/\sqrt{3})/(100/\sqrt{3})$ . Колку изнесува активната моќност во мрежата?

## 4. Електрични мерења - Стручно образование

### Прашање

Ако амперметарот и волтметарот се идеални инструменти и се поврзани во мерното коло како што е дадено на сликата, кои вредности за струјата и напонот ќе се покажат на нивните скали?

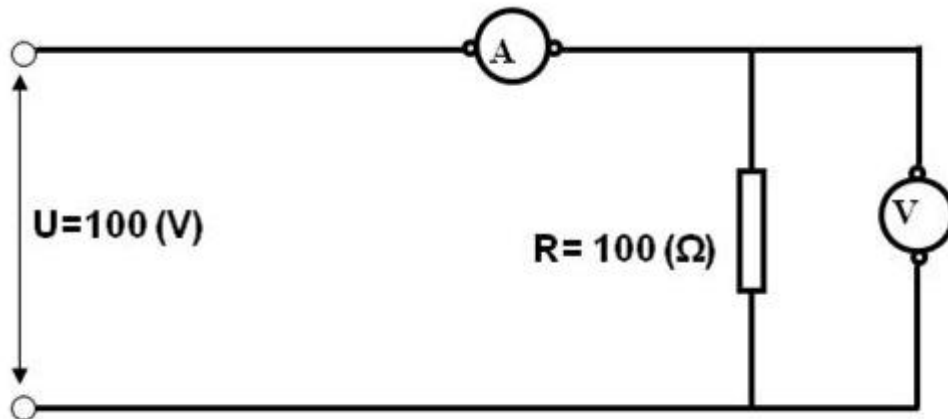


Со ватметар е измерена активната моќност на еден потрошувач. Отклонот на стрелката на ватметарот е 80 поделоци, а константата на ватметарот е  $2\text{ W/podelok}$ . Колку изнесува измерената моќност на потрошувачот?

## 4. Електрични мерења - Стручно образование

### Прашање

Ако амперметарот и волтметарот се идеални инструменти и се поврзани во мерното коло како што е дадено на сликата, кои вредности за струјата и напонот ќе се покажат на нивните скали?



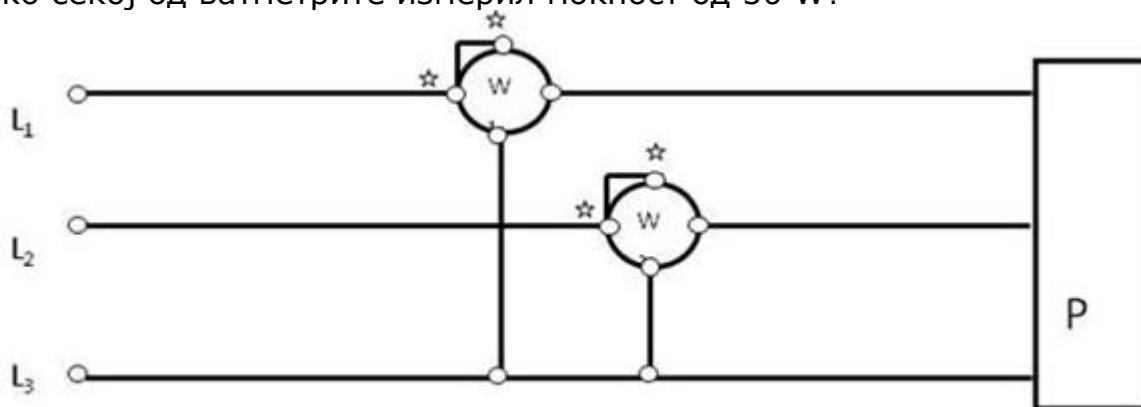
Колку изнесува потрошената електрична енергија ако потрошувач со моќност  $3\text{ kW}$  е приклучен 5 часа?

Со амперметар со мерно подрачје  $2.5\text{ A}$ ,  $5\text{ A}$ ,  $20\text{ A}$  и  $50\text{ A}$  треба да ја измериме струјата што тече низ потрошувач со активна моќност од  $1000\text{ W}$ . Факторот на моќност на потрошувачот е  $1$ . Кое мерно подрачје треба да го употребиме при мерењето ако потрошувачот е приклучен на напон од  $100\text{ V}$ ?

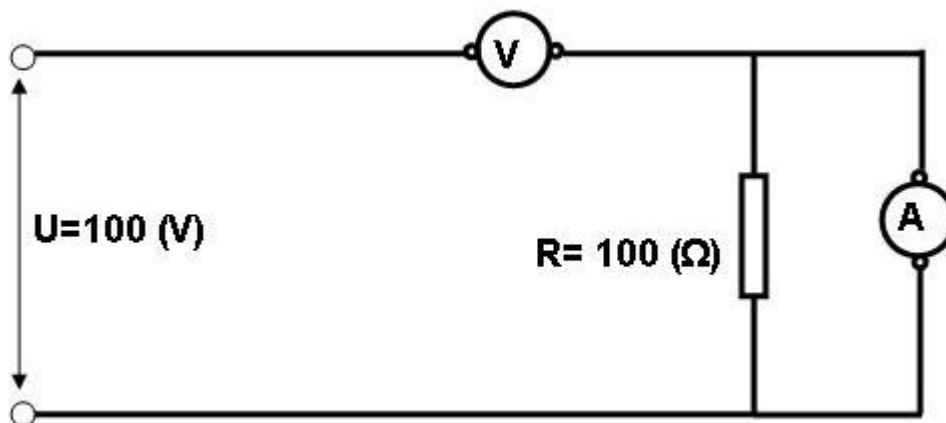
## 4. Електрични мерења - Стручно образование

### Прашање

Мерењето на активната моќност е извршено според електричната шема на сликата. Колку изнесува моќноста на потрошувачот со фактор на моќност 1, ако секој од ватметрите измерил моќност од 50 W?



Ако амперметарот и волтметарот се идеални инструменти и се поврзани во мерното коло како што е дадено на сликата, кои вредности за струјата и напонот ќе се покажат на нивните скали?



Во едно мерно коло поврзани се амперметар, волтметар и ватметар. Волтметарот покажал 100 V, амперметарот 10 A, а ватметарот 1 kW. Колку изнесува  $\cos\phi$  на потрошувачот кој е дел од мерното коло?



## 4. Електрични мерења - Стручно образование

### Прашање

Идеален волтметар е приклучен преку напонски мерен трансформатор. Преносниот однос на мерниот трансформатор е  $10/0,1(\text{kV})$ . Колку изнесува грешката на мерниот трансформатор ако волтметарот покажува  $97 \text{ (V)}$ , а напонот на примарот е еднаков со номиналниот?

За кои номинални вредности на напонот и на струјата треба да е конструирано трифазното броило за полуиндиректно мерење на електричната енергија?

За кои номинални вредности на напонот и на струјата треба да е конструирано еднофазното броило за полуиндиректно мерење на електричната енергија?

За кои номинални вредности на напонот и на струјата треба да е конструирано броилото за мерење на електричната енергија во електричните мрежи со напонско ниво од  $35 \text{ (kV)}$ ?

Амперметар е приклучен на мерно подрачје  $5 \text{ A}$ . Колку изнесува вредноста на мерената струја ако стрелката на амперметарот со  $50$  поделоци на неговата линеарна скала покажала отклон од  $20$  поделоци?

Волтметар е приклучен на мерно подрачје  $250 \text{ (V)}$ . Колку изнесува вредноста на мерениот напон ако стрелката на волтметарот со  $100$  поделоци на неговата линеарната скала покажала отклон од  $40$  поделоци?

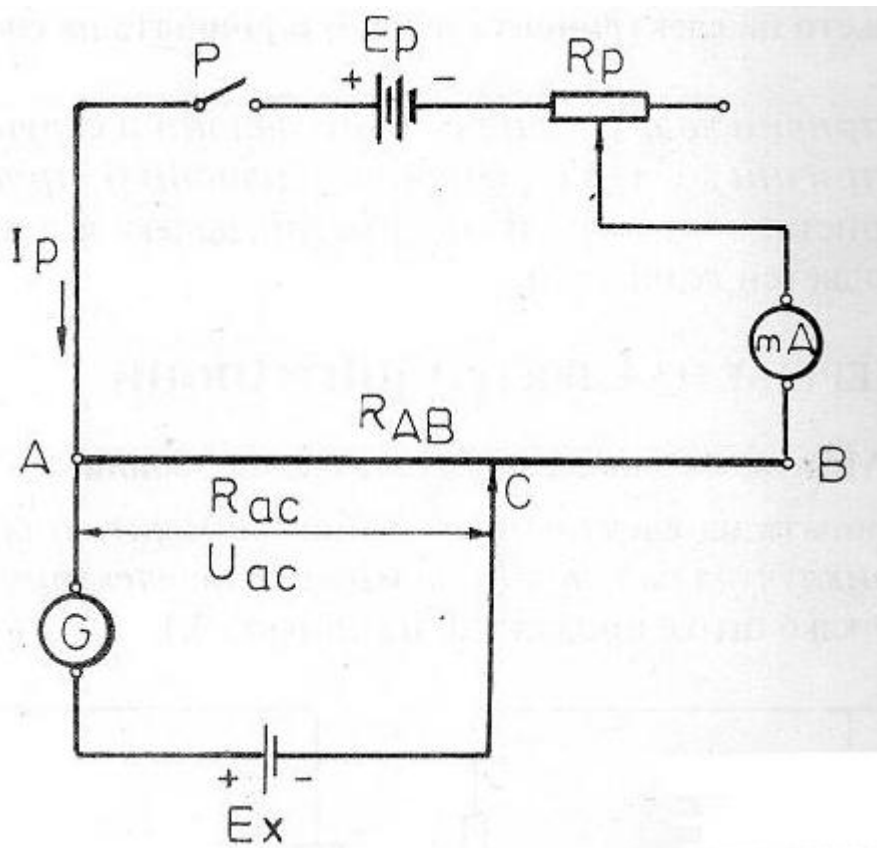
Колку изнесува измерената моќност ако константата на ватметарот е  $2[\text{W/pod}]$ , а отклонот на стрелката е  $100$  поделоци?

При полуиндиректно мерење на моќност применет е струен мерен трансформатор со номинален преносен однос  $100/5 \text{ A}$ . Каква ќе биде моќноста во мрежата во однос на измерената вредност на секундарот од мерниот трансформатор?

## 4. Електрични мерења - Стручно образование

### Прашање

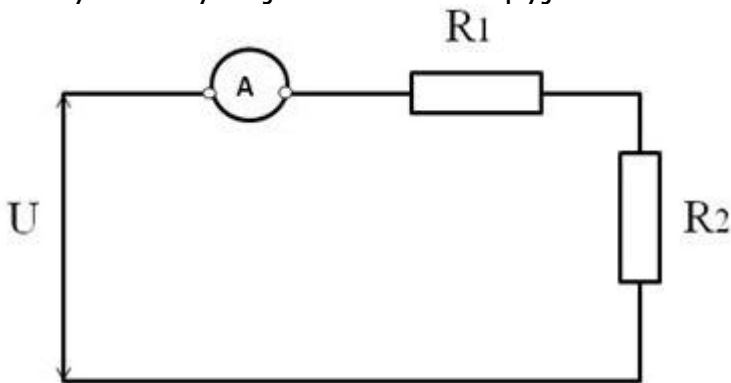
Колку изнесува вредноста на измерениот еднонасочен напон со компензациона метода прикажана на сликата, ако вредноста на компензациониот отпорник  $R_{AC}=100\ \Omega$ , а струјата низ помошното коло е  $100\ \text{mA}$ ?



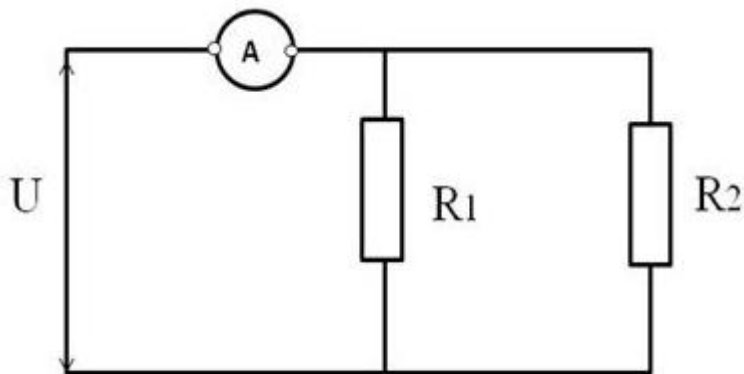
## 4. Електрични мерења - Стручно образование

### Прашање

Измерената јачина на струјатата со амперметарот прикажан на сликата е 2 А. Колку изнесува јачината на струјата низ отпорникот R2 ако  $R_1=R_2$ ?



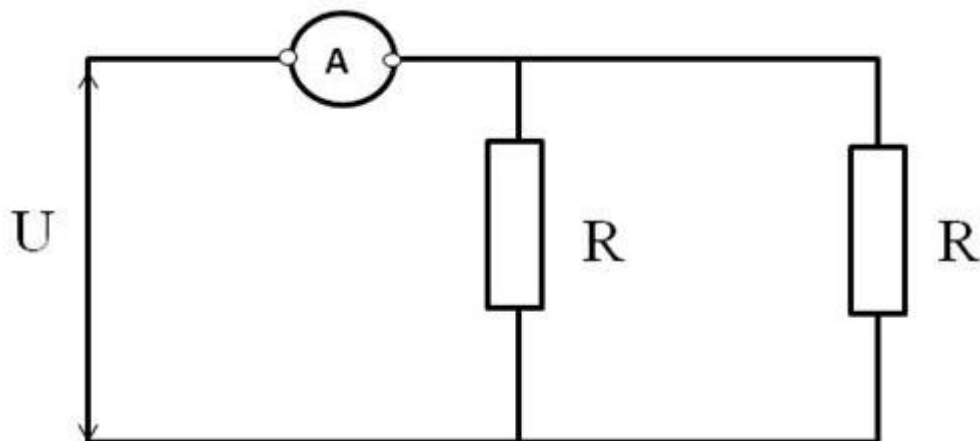
Измерената јачина на струјатата со амперметарот прикажан на сликата е 2 А. Колку изнесува јачината на струјата низ отпорникот R2 ако  $R_1=R_2$ ?



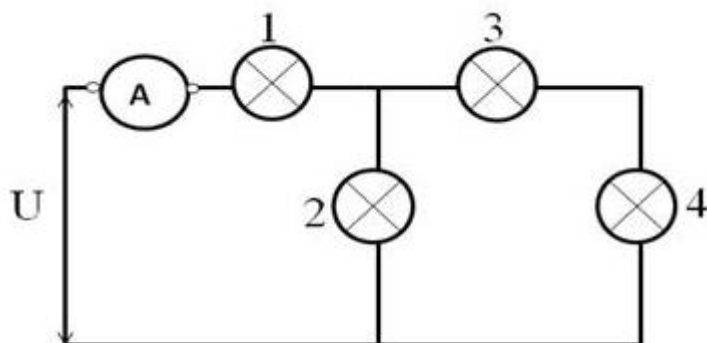
## 4. Електрични мерења - Стручно образование

### Прашање

Измерената јачина на струјатата со амперметарот прикажан на сликата кога отпорниците се поврзани паралелно е 4 А. Колку ќе изнесува јачината на струјата ако отпорниците кои имаат иста отпорност се поврзат редно, а напонот на изворот е непроменет?



Која светилка е прегорена ако амперметарот покажува нула?



При испитување на прекин на проводник со мегаомметар, проводникот е прекинат ако мегаомметарот ни покаже:

## 4. Електрични мерења - Стручно образование

### Прашање

За да се измери индуктивноста на намотка со железно јадро, при позната фреквенција на мрежата, покрај амперметар и волтметар, кој мерен инструмент треба да се поврзе во мерното коло ?

Со колку дигити е дисплејот на дигиталниот инструмент прикажан на сликата?



При испитување на земјоспој на проводниците на кабелот со мегаомметар, едната приклучна стегалка на инструментот се заземјува. При мерењето констатираме дека земјоспој настанал на испитуваниот проводник за кој мегаомметарот покажува:

Активната моќност на еден потрошувач е 80 W, а неговата привидна моќност е 100 W. Колку изнесува факторот на моќност на потрошувачот?

Потрошената електрична енергија на скапа тарифа за еден месец во едно домаќинство изнесува 100 kWh. Колку чини потрошената електрична енергија на скапа тарифа, ако цената за 1 kWh е 5 денари?

На почетокот на месецот состојбата на броилото на скапа тарифа била 5000kWh, а на крајот на месецот 6000 kWh. Колку изнесува потрошената електрична енергија за тој месец?

Колку електрична енергија ќе потрошат 10 светилки од 100 W за еден месец ( 30 дена), ако се вклучени 10 часа во текот на секој ден?

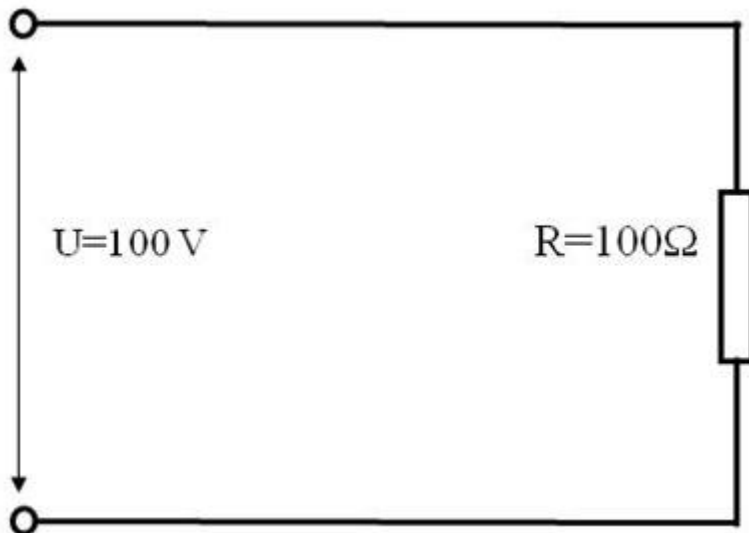
## 4. Електрични мерења - Стручно образование

Прашање

Која големина е измерена со инструментот прикажан на сликата?



Колку изнесува моќноста на потрошувачот приклучен во колото дадено на сликата?

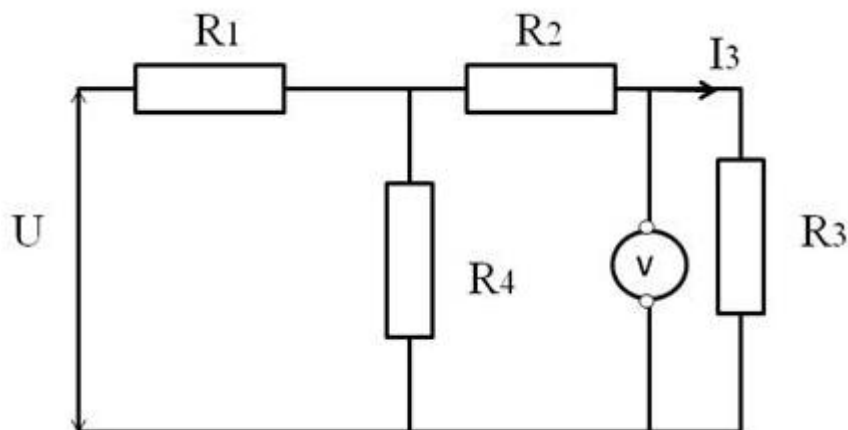


При индиректно мерење на електричната енергија на секундарот е измерена енергија од 10 kWh. Колку изнесува потрошената електрична енергија на примарната страна, ако при мерењето е употребен струен мерен трансформатор со номинален преносен однос 10 и напонски мерен трансформатор со номинален преносен однос 100 ?

## 4. Електрични мерења - Стручно образование

Прашање

Измерениот напон со волтметарот прикажан на сликата изнесува 10 V. Колку изнесува јачината на струјата низ отпорникот  $R_3$  ако неговиот отпор е 2  $\Omega$ ?



## 5. Електроника - Стручно образование

Прашање

Што е рекомбинација?

Недостаток на електрон во ковалентна врска е:

Што е празнина?

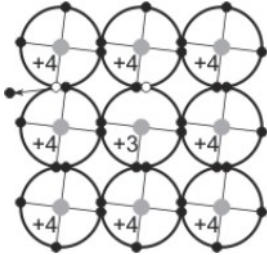
Кои се мнозински слободни носители на електрицитет во полупроводник од N?

Во која насока се движат празнините под дејство на електрично поле од надворешен еднонасочен извор на напон?

## 5. Електроника - Стручно образование

Прашање

Кој тип на полупроводник претставува кристалната решетка на сликата?



Која диода е претставена со графичкиот симбол на сликата?



Колкава е реалната струјата при инверзна поларизација на силициумска диода?

Кое тврдење е точно? Кога диодата е директно поларизирана, таа е:

Што го предизвикува електричното поле во бариерата на неполаризиран PN-спој?

Внатрешното електрично поле кај неполаризиран PN-спој го спречува преминувањето низ бариерата на:

Што е PN-спој?

Која е структурата на диодата како полупроводнички елемент?

Која диода е претставена со графичкиот симбол на сликата?



Која диода е претставена со графичкиот симбол на сликата?





## 5. Електроника - Стручно образование

Прашање

Што е дисипација?

Која диода се користи за стабилизација на еднонасочен напон?

Која диода се користи како променлив кондензатор?

Која диода може да работи во подрачјето на пробив?

Која диода има слој на чист полупроводник?

Која диода се карактеризира со подрачје на негативна отпорност?

Карактеристиката која ја претставува зависноста на струјата низ диодата од напонот на нејзините краеве, при константна температура е:

Мнозинските слободни носители на електрицитет во полупроводник од N тип се добиваат со:

Малцинските слободни носители на електрицитет во полупроводник од P тип се добиваат со:

Што се случува кога во полупроводник дејствува електрично поле?

Кое е основно својство на диода?

## 5. Електроника - Стручно образование

Прашање

Кое тврдење е точно? При инверзна поларизација на PN спој електричното поле од просторното оптоварување во бариерата и електричното поле од надворешниот извор:

Што е карактеристика на точкастата диода?

Што важи за идеална диода при директна поларизација?

Што значи стабилизирачкото својство на зенер диодата?

Кое тврдење е точно? Насочувачките диоди:

Што се случува кај диоди со ниска концентрација на примеси за напони поголеми од пробивниот напон?

Што се случува кај диоди со висока концентрација на примеси за напони поголеми од пробивниот напон?

LED емитира светлина кога е:

Во кој полупроводник е еднаков бројот на слободни електрони и празнини?

Како е поларизирана диодата ако анодата се поврзе со негативниот пол на надворешниот извор, а катодата со позитивниот пол?

Како е поларизирана диодата ако анодата се поврзе со позитивниот пол на надворешниот извор, а катодата со негативниот пол?

Со зголемување на инверзниот напон на варикап диодата доаѓа до:

## 5. Електроника - Стручно образование

Прашање

Кога зенер диодата има стабилизирачко својство?

Која диода е тунел диода?

Која диода е PIN диода?

Која диода е LED диода?

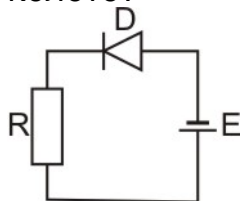
Што означува лентата кај диодата на сликата?



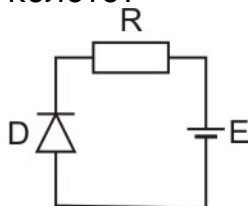
Која диода е директно поларизирана?

Која диода е инверзно поларизирана?

За колото на сликата е познато:  $R=1\text{ kW}$  и  $E=5\text{ V}$ . Колкава е струјата во колото?



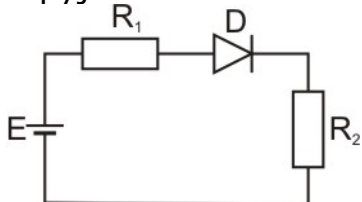
За колото на сликата е познато:  $R=20\text{ kW}$  и  $E=40\text{ V}$ . Колкава е струјата во колото?



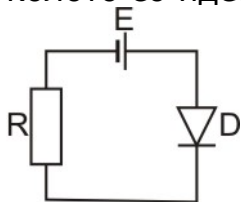
## 5. Електроника - Стручно образование

### Прашање

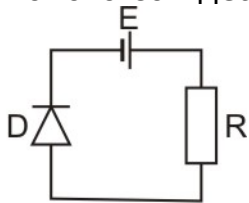
За колото на сликата е познато:  $R_1=3\text{ kW}$ ,  $R_2=2\text{ kW}$  и  $E=15\text{ V}$ . Колкава е струјата во колото со идеална диода?



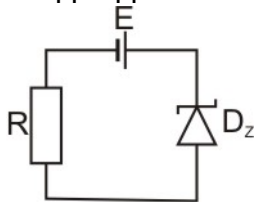
За колото на сликата е познато:  $R=2\text{ kW}$  и  $E=4\text{ V}$ . Колкава е струјата во колото со идеална диода?



За колото на сликата е познато:  $R=5\text{ kW}$  и  $E=20\text{ V}$ . Колкава е струјата во колото со идеална диода?



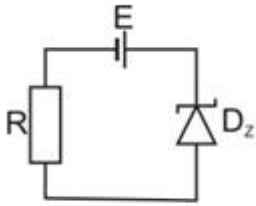
За колото на сликата е познато:  $R=1\text{ kW}$ ,  $U_z=3\text{ V}$  и  $E=5\text{ V}$ . Колкав е напонот на диодата?



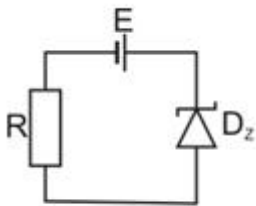
## 5. Електроника - Стручно образование

### Прашање

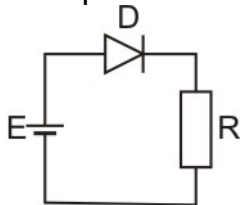
За колото на сликата е познато:  $R=10\text{ kW}$ ,  $U_z=30\text{ V}$  и  $E=15\text{ V}$ . Колкав е напонот на диодата?



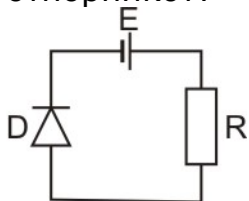
За колото на сликата е познато:  $R=10\text{ kW}$ ,  $U_z=30\text{ V}$  и  $E=15\text{ V}$ . Колкав е напонот на отпорникот?



За колото на сликата е познато:  $R=2\text{ kW}$  и  $E=10\text{ V}$ . Колкав е напонот на отпорникот?



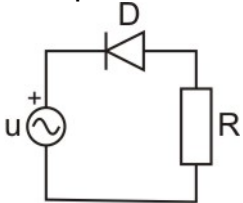
За колото на сликата е познато:  $R=2\text{ kW}$  и  $E=8\text{ V}$ . Колкав е напонот на отпорникот?



## 5. Електроника - Стручно образование

### Прашање

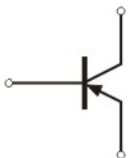
За време на негативните полупериоди на напонот на изворот, диодата е



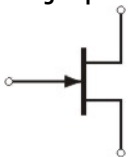
Кој транзистор е претставен со графичкиот симбол на сликата?



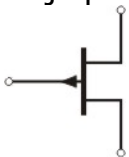
Кој транзистор е претставен со графичкиот симбол на сликата?



Кој транзистор е претставен со графичкиот симбол на сликата?



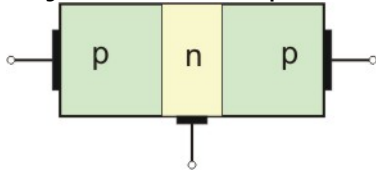
Кој транзистор е претставен со графичкиот симбол на сликата?



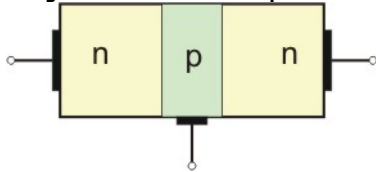
## 5. Електроника - Стручно образование

Прашање

Кој елемент е прикажан на сликата?



Кој елемент е прикажан на сликата?



Кога е транзисторот во подрачје на заситување?

Кое тврдење е точно? Во спој со заедничка база

Колкава вредност има коефициентот на струјно засилување  $\beta$ ?

Излезната статичка карактеристика на транзистор ја покажува зависност на:

Каква насока имаат струите кај NPN транзистор?

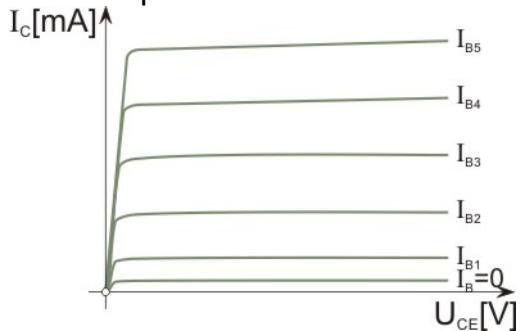
Кое тврдење е точно? Во нормално активно подрачје:

Во кој режим работи транзисторско коло, ако во него течат константни еднонасочни струи?

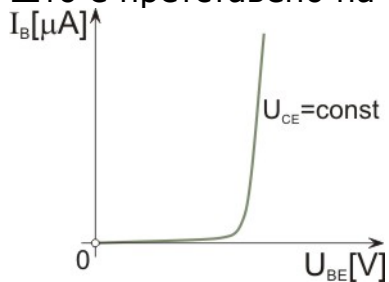
## 5. Електроника - Стручно образование

Прашање

Што е претставено на сликата?



Што е претставено на сликата?



Што може да се предизвика со надминување на напонот  $U_{CEmax}$  кај транзистор?

Што може да се предизвика со надминување на  $P_{cdmax}$  кај транзистор?

Што се ограничува со хиперболата на моќност кај транзистор?

Што претставува параметарот  $h_{ie}$ ?

Што претставува параметарот  $h_{fe}$ ?

Во што се изразува параметарот  $h_{ie}$ ?



## 5. Електроника - Стручно образование

Прашање

Кое тврдење е точно? Параметарот  $h_{fe}$ :

Во кое подрачје транзисторот има улога на отворен прекинувач?

Во кое подрачје транзисторот има улога на затворен прекинувач?

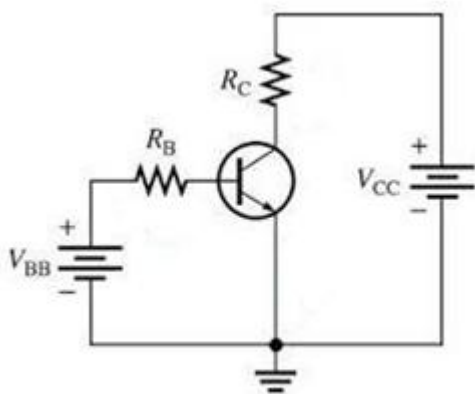
Во кое подрачје транзисторот работи како засилувач?

Во кое подрачје транзисторски прекинувач е во преоден режим?

Време на вклучување на транзистор е време за кое:

Време на исклучување на транзистор е време за кое:

Според тоа како се поставени изворите во колото, споевите на транзисторот се поларизирани на следниов начин:

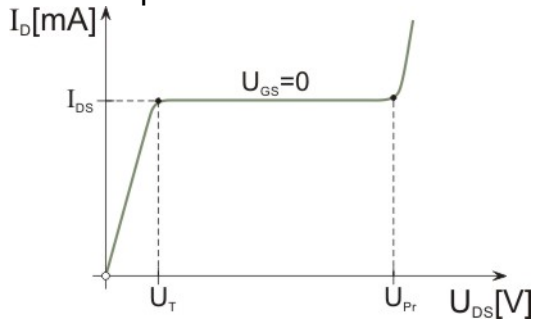


Кое тврдење е точно? Во омското подрачје кај FET:

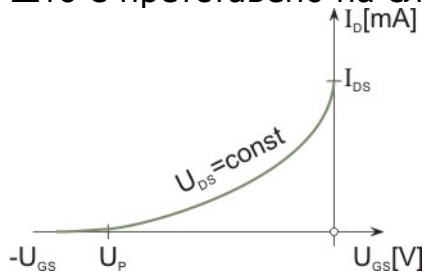
## 5. Електроника - Стручно образование

Прашање

Што е претставено на сликата?



Што е претставено на сликата?



Во кое подрачје на транзистор важи равенката  $I_C = \beta I_B$ ?

Кое тврдење е точно?

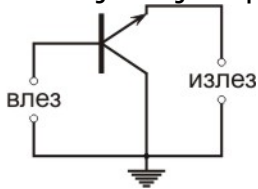
При поларизација на NPN транзистор, за да тој работи во нормално активно подрачје треба:

Кога транзисторот работи во спој со заеднички емитер, влезниот напон е помеѓу:

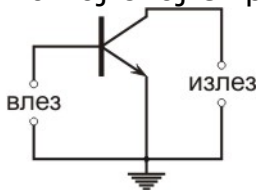
## 5. Електроника - Стручно образование

### Прашање

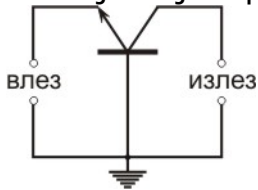
Во кој спој е транзисторот на сликата?



Во кој спој е транзисторот на сликата?



Во кој спој е транзисторот на сликата?



Транзисторско коло е во статички режим на работа кога на колото:

Кога транзистор се претставува со еквивалентното коло со  $h$ -параметри?

Кое тврдење е точно? Во динамички режим на работа на транзистор:

Како е одреден параметарот  $h_{fe}$ ?

Како е одреден параметарот  $h_{ie}$ ?

Што се добива на излезот на транзистор во спој со заеднички емитер кога е во улога на отворен прекинувач?

## 5. Електроника - Стручно образование

Прашање

Што се добива на излезот на транзистор во спој со заеднички емитер кога е во улога на затворен прекинувач?

FET со канал од n тип за напони  $U_{DS} < U_{Te}$ :

Инверзниот напон по должина на каналот кај FET надолжно расте:

Каков е каналот на FET-от за напон на допир?

Со зголемување на напонот  $|U_{GS}|$  кај n-канален FET, во подрачје на заситување, струјата на дрејнот:

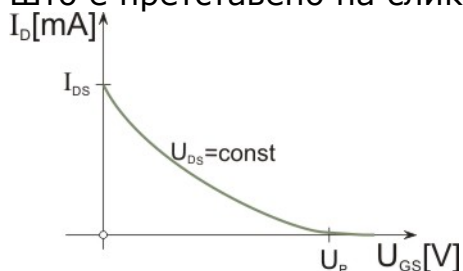
Како се постигнува подрачје на исклучување на p-канален FET?

Кој параметар се дефинира со изразот  $\frac{\Delta U_{GS}}{\Delta I_D}$  за  $\Delta U_{DS}=0$  кај FET?

Кој параметар се дефинира со изразот  $\frac{\Delta U_{DS}}{\Delta I_D}$  за  $\Delta U_{GS}=0$  кај FET?

Кој параметар се дефинира со изразот  $\frac{\Delta I_D}{\Delta U_{GS}}$  за  $\Delta U_{DS}=0$  кај FET?

Што е претставено на сликата?



## 5. Електроника - Стручно образование

### Прашање

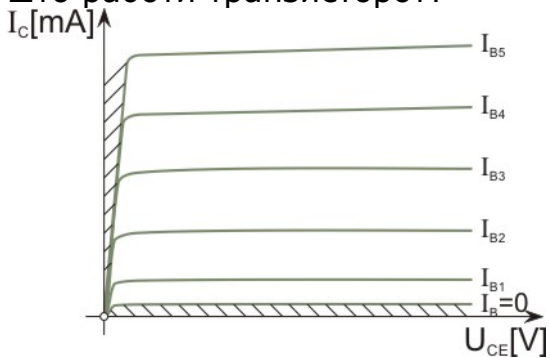
Низ транзистор со коефициент на струјно засилување 50 тече базна струја од 100  $\mu\text{A}$ . Колкава е колекторската струја?

Низ транзистор течат базна струја од 200  $\mu\text{A}$  и колекторска струја 10 mA. Колкав е коефициентот на струјно засилување?

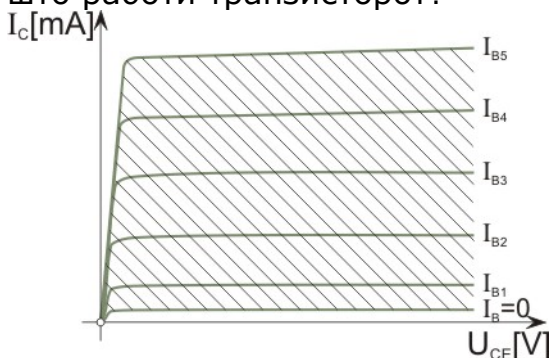
Низ транзистор течат базна струја од 500  $\mu\text{A}$  и колекторска струја 5 mA. Колкава е емитерската струја?

Низ транзистор со коефициент на струјно засилување 40 тече базна струја од 100  $\mu\text{A}$ . Колкава е емитерската струја?

За шрафираниот дел на карактеристиката на транзисторот, определи како што работи транзисторот?



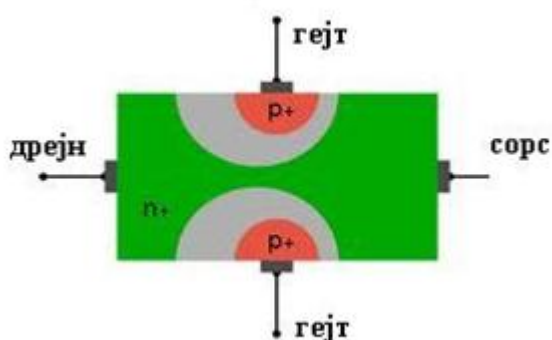
За шрафираниот дел на карактеристиката на транзисторот, определи како што работи транзисторот?



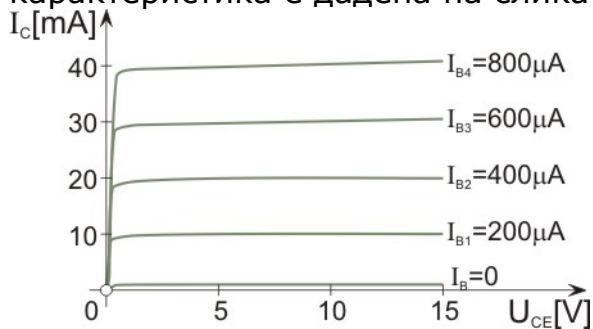
## 5. Електроника - Стручно образование

### Прашање

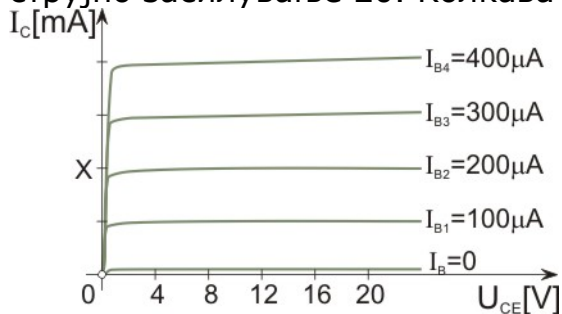
Каков напон треба да се приклучи на FET транзисторот за да се поларизира правилно?



Колкав коефициент на струјно засилување има транзисторот чија карактеристика е дадена на сликата?



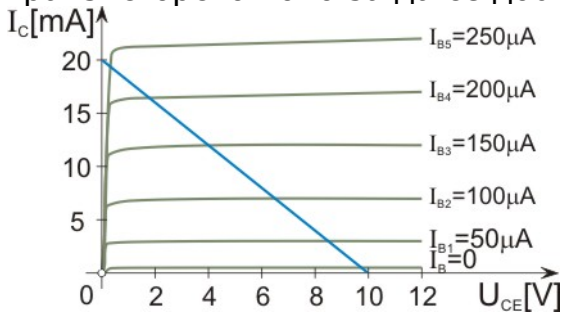
Транзисторот чија карактеристика е дадена на сликата има коефициент на струјно засилување 20. Колкава е колекторската струја означена со X?



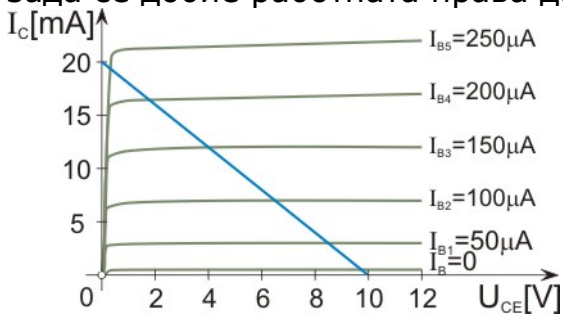
## 5. Електроника - Стручно образование

### Прашање

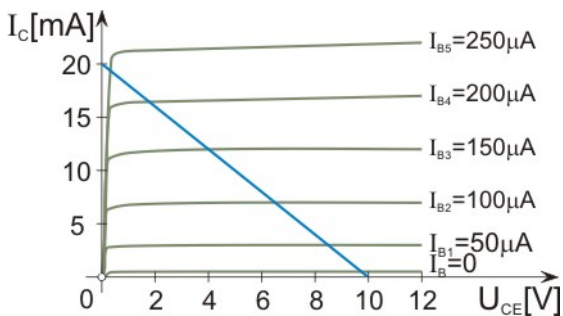
Колкава треба да биде вредноста на изворот на напојување  $U_{CC}$  во транзисторско коло за да се добие работната права дадена на сликата?



Колкава треба да биде вредноста на отпорникот  $R_C$  во транзисторско коло за да се добие работната права дадена на сликата?



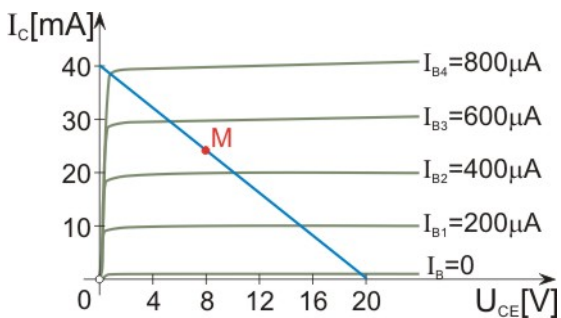
Колкава треба да биде вредноста на базната струја во колото за да работната точка биде на средина од работната права дадена на сликата?



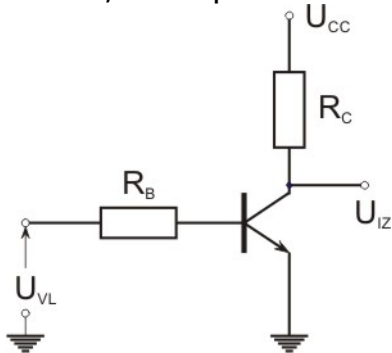
## 5. Електроника - Стручно образование

### Прашање

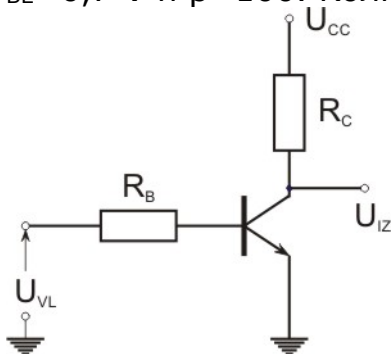
Колкава е вредноста на излезната струја и излезниот напон во колото чија работна права и работна точка се дадени на сликата?



За колото на сликата е познато:  $U_{VL}=1,7\text{ V}$ ,  $R_B=100\text{ k}\Omega$ ,  $R_C=1\text{ k}\Omega$ ,  $U_{CC}=10\text{ V}$ ,  $U_{BE}=0,7\text{ V}$  и  $\beta=100$ . Колкава е базната струја?



За колото на сликата е познато:  $U_{VL}=1,7\text{ V}$ ,  $R_B=100\text{ k}\Omega$ ,  $R_C=1\text{ k}\Omega$ ,  $U_{CC}=10\text{ V}$ ,  $U_{BE}=0,7\text{ V}$  и  $\beta=100$ . Колкава е колекторската струја?

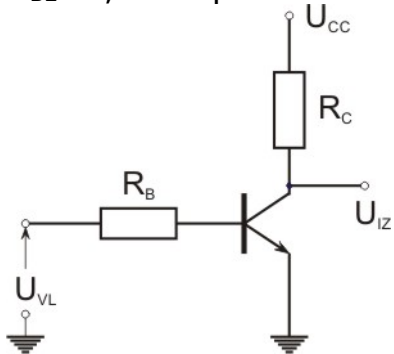




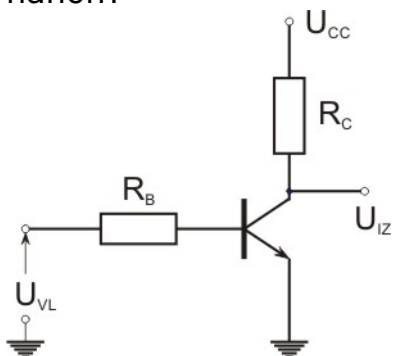
## 5. Електроника - Стручно образование

### Прашање

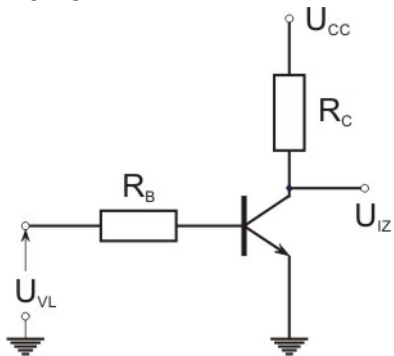
За колото на сликата е познато:  $U_{VL}=1,7\text{ V}$ ,  $R_B=100\text{ k}\Omega$ ,  $R_C=1\text{ k}\Omega$ ,  $U_{CC}=10\text{ V}$ ,  $U_{BE}=0,7\text{ V}$  и  $\beta=100$ . Колкав е излезниот напон?



Во колото на сликата транзисторот е во заситување. Колкав е излезниот напон?



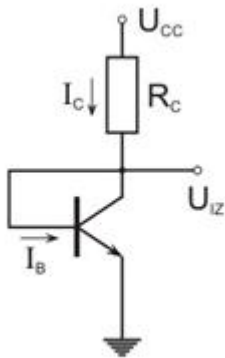
Во колото на сликата транзисторот е во исклучување. Колкав е излезниот напон?



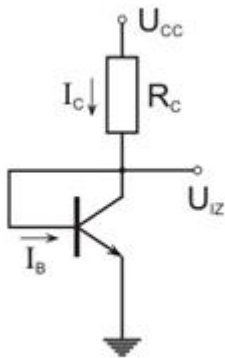
## 5. Електроника - Стручно образование

### Прашање

За колото на сликата е поанато:  $U_{CC}=15\text{ V}$ ,  $U_{BE}=0,7\text{ V}$ ,  $R_C=1,43\text{ k}\Omega$  и  $\beta=99$ . Колкава е колекторската струја?



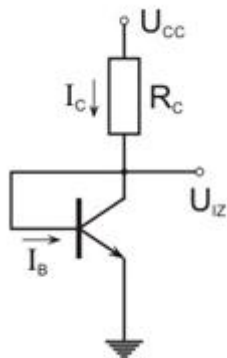
За колото на сликата е поанато:  $U_{CC}=15\text{ V}$ ,  $U_{BE}=0,7\text{ V}$ ,  $R_C=1,43\text{ k}\Omega$  и  $\beta=99$ . Колкава е базната струја?



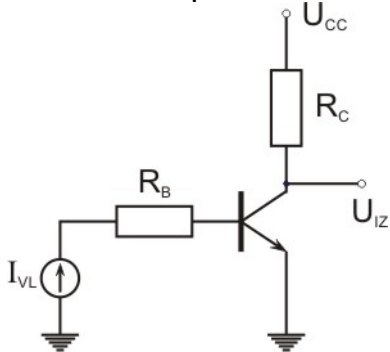
## 5. Електроника - Стручно образование

### Прашање

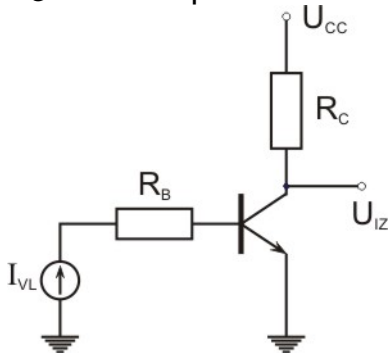
За колото на сликата е поанато:  $U_{CC}=15\text{ V}$ ,  $U_{BE}=0,7\text{ V}$ ,  $R_C=1,43\text{ k}\Omega$  и  $\beta=100$ . Колкав е излезниот напон?



За колото на сликата е познато:  $U_{CC}=15\text{ V}$ ,  $U_{BE}=0,7\text{ V}$ ,  $I_{VL}=50\text{ }\mu\text{A}$ ,  $R_B=500\text{ k}\Omega$ ,  $R_C=1\text{ k}\Omega$  и  $\beta=100$ . Колкава е колекторската струја?



За колото на сликата е поанато:  $U_{CC}=15\text{ V}$ ,  $U_{BE}=0,7\text{ V}$ ,  $I_{VL}=50\text{ }\mu\text{A}$ ,  $R_B=500\text{ k}\Omega$ ,  $R_C=1\text{ k}\Omega$  и  $\beta=100$ . Колкав е излезниот напон?



## 5. Електроника - Стручно образование

Прашање

Која дефиниција е точна за тиристорите?

Што претставува графичкиот симбол на сликата?



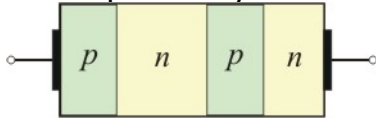
Што претставува графичкиот симбол на сликата?



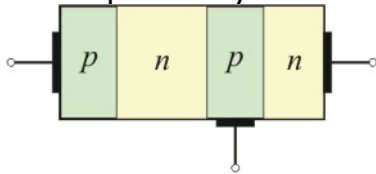
Што претставува графичкиот симбол на сликата?



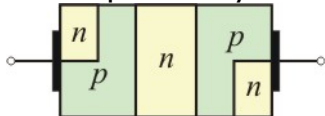
Што претставува елементот на сликата?



Што претставува елементот на сликата?



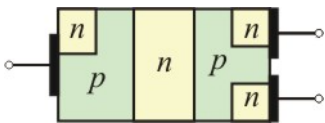
Што претставува елементот на сликата?



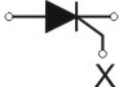
## 5. Електроника - Стручно образование

Прашање

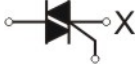
Што претставува елементот на сликата?



Кој приклучок е означен со X?



Кој приклучок е означен со X?



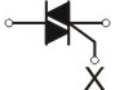
Кој приклучок е означен со X?



Кој приклучок е означен со X?



Кој приклучок е означен со X?

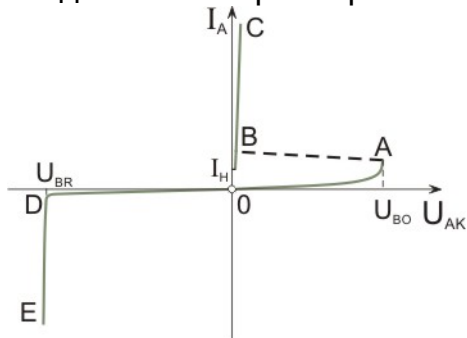


Кој тиристор има три приклучоци и спроведува струја во две насоки?

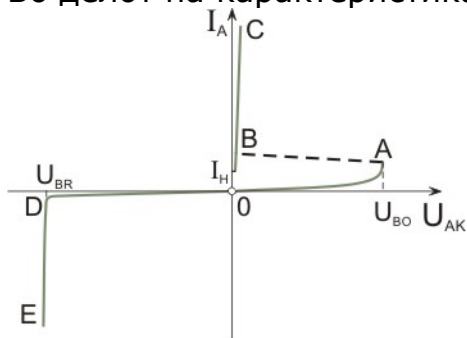
## 5. Електроника - Стручно образование

### Прашање

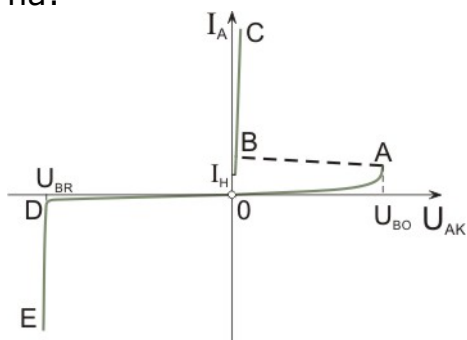
Во делот на карактеристиката од D до E тиристорот е во подрачје на:



Во делот на карактеристиката од 0 до A тиристорот е во подрачје на:



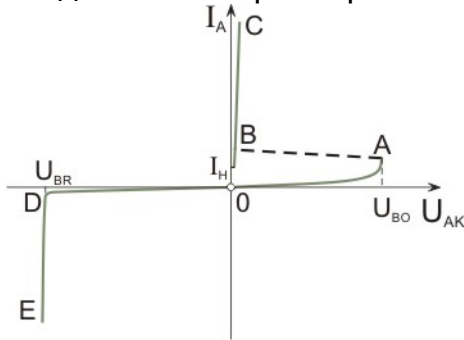
Во делот на карактеристиката од 0 до A отпорот на тиристорот е подрачје на:



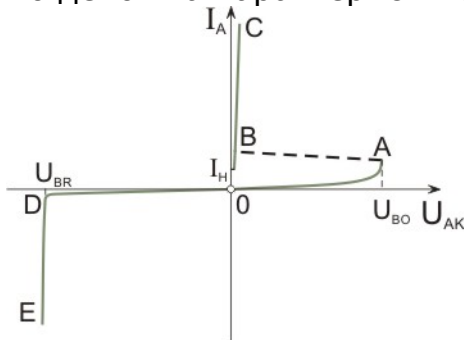
## 5. Електроника - Стручно образование

### Прашање

Во делот на карактеристиката од 0 до D тиристорот е во подрачје на:



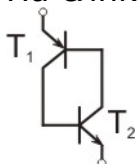
Во делот на карактеристиката од B до C тиристорот е во подрачје на:



Кое тврдење е точно? Со зголемување на струјата на гејтот:

Од кои елементи се изеаботуваат соларните ќелии?

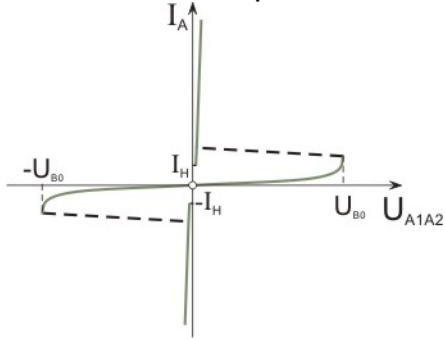
На сликата е прикажана еквивалентна шема на



## 5. Електроника - Стручно образование

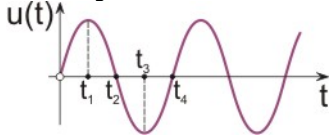
### Прашање

На сликата е прикажана статичка карактеристика на:

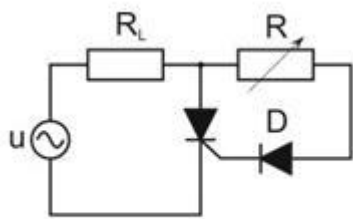


Тиристор се префрла од проведување во директно непроведување со:

Во кој момент се исклучува тиристорот приклучен на синусниот напон  $u(t)$ ?



Што се случува во колото на сликата, со зголемувањето на вредноста на отпорникот R?



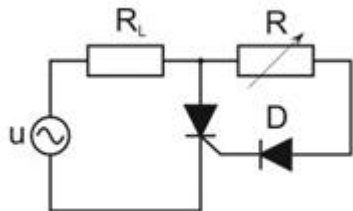
Зошто се става диода во колото на гејтот кога тиристорот се употребува како регулатор на електрична моќност?



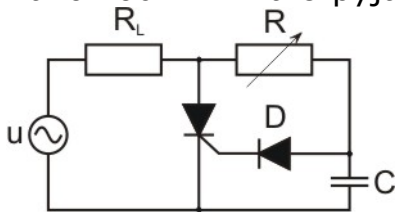
## 5. Електроника - Стручно образование

Прашање

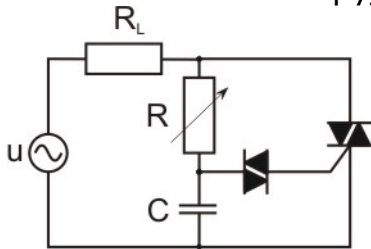
Каков облик има струјата низ потрошувачот во колото на сликата?



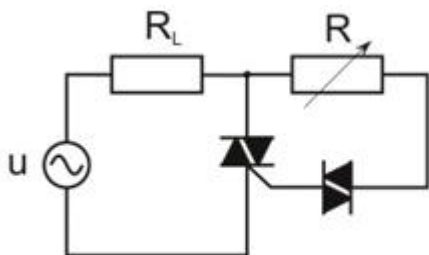
Каков облик има струјата низ потрошувачот во колото на сликата?



Каков облик има струјата низ потрошувачот во колото на сликата?



Каков облик има струјата низ потрошувачот во колото на сликата?

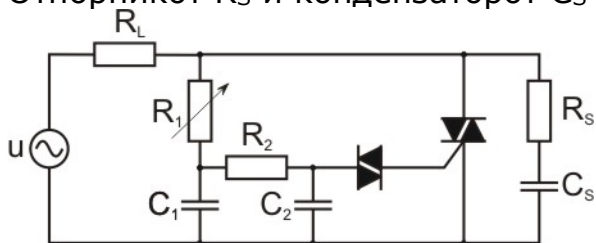


## 5. Електроника - Стручно образование

Прашање

Моментот на палење на тиристорот може да се одложи со сериско поврзување на:

Отпорникот  $R_s$  и кондензаторот  $C_s$  во колото на сликата се користат за:

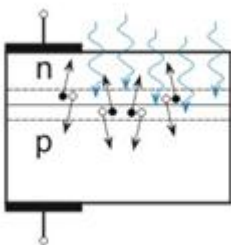


Што претставува означувањето NTC?

Што претставува означувањето PTC?

Електронските елементи чии електрични својства зависат од енергијата на светлосното зрачење се нарекуваат:

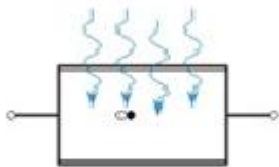
Што е претставено на сликата?



## 5. Електроника - Стручно образование

Прашање

Што претставува елементот на сликата?

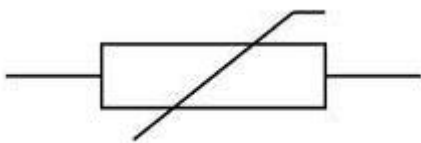


Отпорник чија отпорност се менува под дејство на светлината се нарекува:

Елемент кој енергијата од сончевото зрачење ја претвора во електрична се нарекува:

Под дејство на светлината, во фотоотпорник, се генерираат:

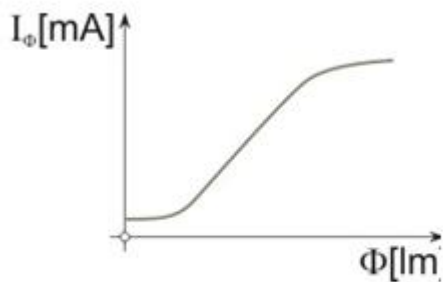
На сликата е прикажан симбол на:



## 5. Електроника - Стручно образование

Прашање

Графикот на сликата претставува:



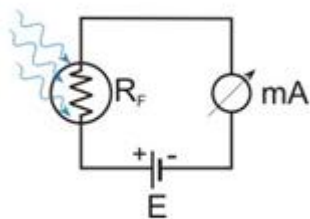
Кое тврдење е точно за фотодиода? Фотодиодата работи

Кој приклучок на фототранзистор не се поврзува со надворешното коло?

Која карактеристика ја претставува промената на отпорноста на NTC термистор?

Која карактеристика ја претставува промената на отпорноста на PTC термистор?

Колото на сликата претставува:



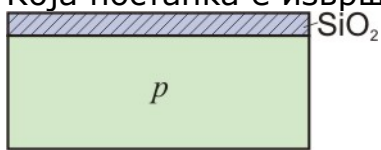
## 5. Електроника - Стручно образование

Прашање

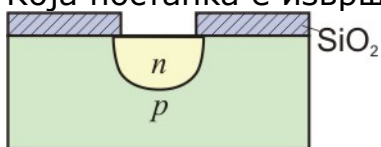
Која диода е фотодиода?

Кој од наведените елементи е извор на електрична енергија?

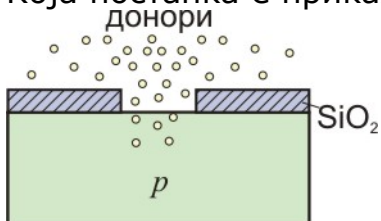
Која постапка е извршена на дискот прикажан на сликата?



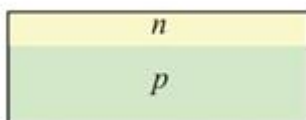
Која постапка е извршена на дискот прикажан на сликата?



Која постапка е прикажана на сликата?



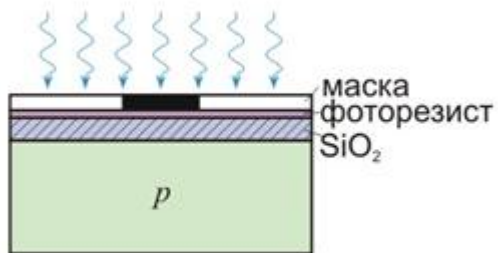
Која постапка е извршена на дискот прикажан на сликата?



## 5. Електроника - Стручно образование

Прашање

Која постапка е прикажана на сликата?



Степен на интеграција се одредува според:

Интегрираните кола во однос на дискретните кола имаат:

Која технологија се користи за сложените дигитални интегрирани кола, како што се микропроцесорите и големите мемории?

Кои од наведените интегрирани кола се линеарни кола?

Кои од наведените интегрирани кола се дигитални кола?

Кои интегрирани кола можат да се оштетат со статички електрицитет?

Што се означува со SSI?

Што се означува со MSI?

Што се означува со LSI?

## 5. Електроника - Стручно образование

Прашање

Интегрираното коло UA741 е

Од која фамилија се интегрираните кола со ознака 74xx?

## 6. Електротехника - Стручно образование

Прашање

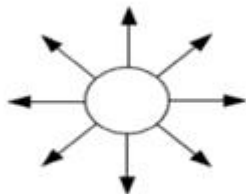
Која е единица мерка за јачина на електростатичко поле?

Која е единица мерка за количество електричество?

Единица мерка за капацитивност на кондензатор е:

Хомогено електростатичко поле се среќава кај :

Како се нарекува електростатичкото поле прикажано на сликата?

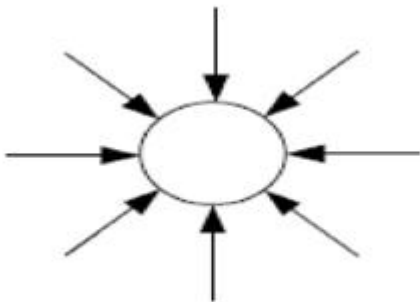


## 6. Електротехника - Стручно образование

Прашање

Со кој израз е одреден напонот меѓу две точки А и В во електростатичко поле во кои потенцијалите се  $\Phi_A$  и  $\Phi_B$  соодветно?

На сликата е претставено електростатичко поле на:



Со која ознака се означува електричната отпорност?

Со која ознака се означува електричната моќност?

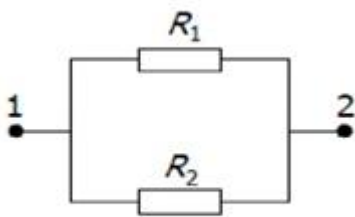
Со која единица мерка се мери електричниот напон?



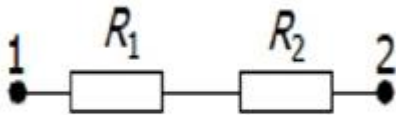
## 6. Електротехника - Стручно образование

Прашање

Каква е врската на двата отпорника на сликата?



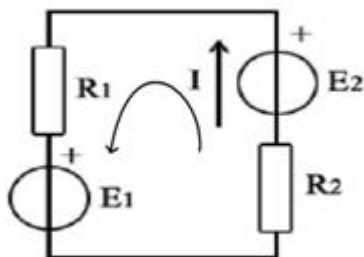
Каква е врската на двата отпорника на сликата?



## 6. Електротехника - Стручно образование

Прашање

Вториот Кирхофов закон за колото на сликата е даден со изразот (според усвоената обиколка):



Еквивалентната капацитивност на два сериски поврзани кондензатори во однос на нивните поединечни капацитивности е:

Ако се два отпорника врзани меѓу два јазли во две различни гранки тогаш тие се врзани во:

Ако се два отпорника врзани меѓу два јазли во една гранка тогаш тие се врзани:

Кое тврдење е точно? За паралелна врска на кондензатори е карактеристично тоа што:

Кое тврдење е точно? За паралелна врска на отпорници е карактеристично тоа што:

Кое тврдење е точно? За сериска врска на кондензатори е карактеристично тоа што:

## 6. Електротехника - Стручно образование

Прашање

Кое тврдење е точно? За сериска врска на отпорници е карактеристично тоа што:

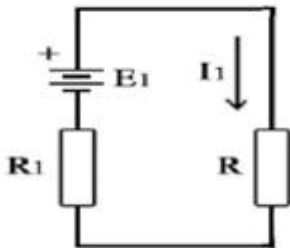
Кој закон ја определува зависноста помеѓу напонот, јачината на струјата и отпорноста кај некој отпорник?

Кој закон го опишува начинот на претварање на електричната енергија во топлинска кај омски отпорник?

Која величина е главното својство на еден кондензатор?

Кој процес настанува при внесување на диелектрик во електростатичко поле?

Во колото на сликата познато е  $E_1=12\text{ V}$ ;  $R_1=8\ \Omega$ ;  $R=16\ \Omega$ . Колку изнесува јачината на струјата во колото?

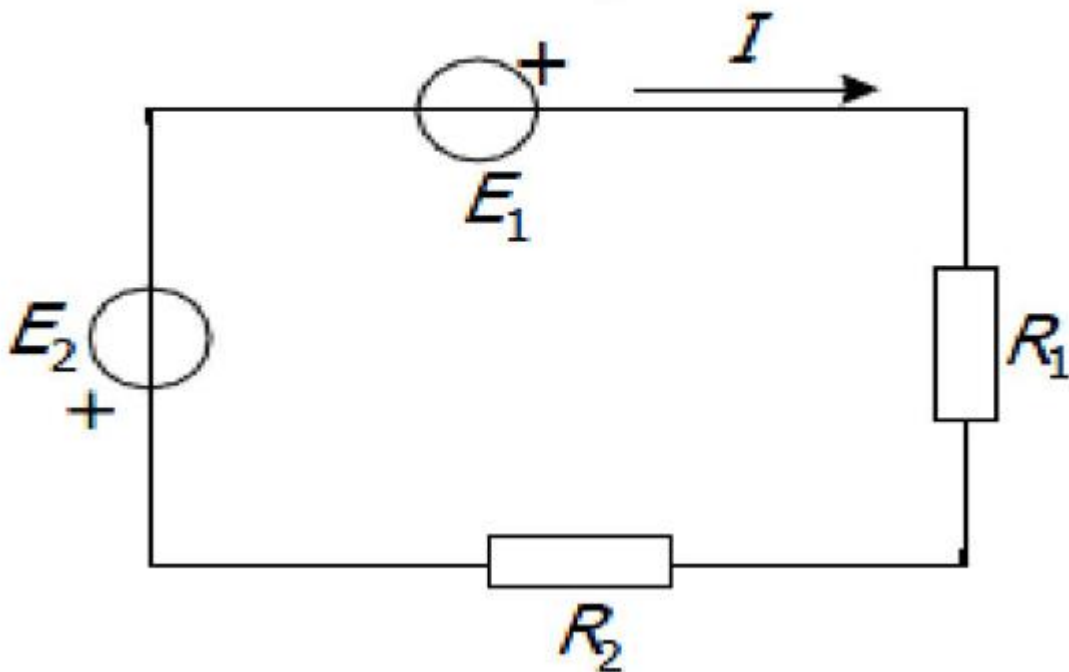


Електростатичкото поле во воздушен кондензатор е  $3000 \left[ \frac{\text{V}}{\text{m}} \right]$ . Колкава ќе биде јачината на полето на истиот кондензатор ако тој се исполни со масло со релативна диелектрична константа 15?

## 6. Електротехника - Стручно образование

Прашање

Кој израз го одредува струјата во колото. изведено од примена на Вториот Кирхофов закон?



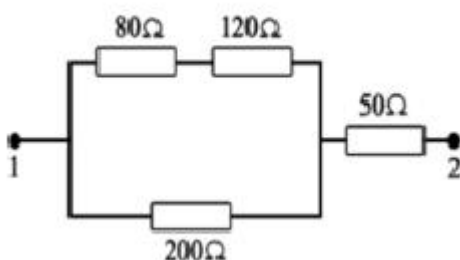
## 6. Електротехника - Стручно образование

### Прашање

Даден е плочест кондензатор со воздушна изолација кој има растојание меѓу плочите  $d$  и површина на електродите  $S$ . Ако растојанието меѓу плочите се зголеми два пати тогаш капацитетот ќе

Плочест кондензатор е претходно приклучен на извор при што тој се оптоварува со количество електричество  $Q$  и има напон  $U$ . После исклучување на изворот, паралелно на кондензаторот се приклучува празен (неоптоварен) кондензатор со иста капацитивност. Како ќе се променат напонот и количеството електричество на првиот кондензатор по приклучувањето на празниот кондензатор?

Колку изнесува еквивалентната отпорност меѓу точките 1 и 2 за колото на сликата?



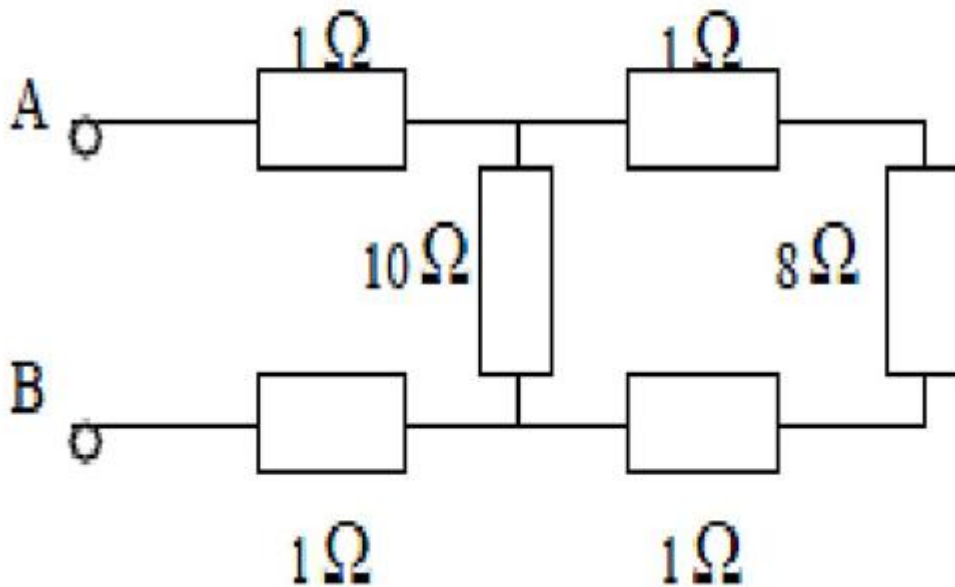
Колку изнесува електричниот напон на кондензаторот, ако неговата капацитивност е  $C = 4\mu F$  и наелектризиран е со количество електрицитет  $Q = 2mC$  ?

## 6. Електротехника - Стручно образование

Прашање

Два кондензатори со капацитивности  $C_1=10 \mu\text{F}$  и  $C_2=28 \mu\text{F}$  врзани се паралелно. Колку изнесува еквивалентната капацитивност?

Еквивалентаната отпорност меѓу точките А и В за колото на сликата изнесува?



Како треба да се поврзат отпорниците  $R_1=6 \Omega$ ,  $R_2=8 \Omega$  и  $R_3=3 \Omega$  за да  $R_e=10 \Omega$ ?

Како треба да се поврзат три исти кондензатори со капацитивност  $C=6 \mu\text{F}$ , за да се добие  $C_e=2 \mu\text{F}$ ?

## 6. Електротехника - Стручно образование

Прашање

Еден омски отпорник приклучен е на напон  $U=6\text{ V}$ , при што влече струја  $I=1\text{ A}$ , за време од  $t=2\text{ min}$ . Колку изнесува Џуловата топлина што ја развива отпорникот?

Фазната разлика помеѓу напонот и струјата кај отпорник во коло со наизменична струја е:

Со кој израз е претставена комплексната импеданса во редно RLC коло со претежно капацитивен карактер?

Како се поправа факторот на моќност на активен потрошувач?

Општиот израз за еден наизменичен напон е  $u = U_m \sin(\omega t + \theta)$  [V], со  $U_m$  означена:

Реактивна индуктивна моќност се јавува во коло со:

Кој од дадените изрази ја покажува зависноста меѓу амплитудата и ефективната вредност на струјата?

Како се означува индуктивната отпорност?

Со што се означува вкупен реактивен пад на напон?

Како се означува импеданса?

## 6. Електротехника - Стручно образование

Прашање

Како се означува активната отпорност?

Како се означува вкупната реактивна отпорност?

Како се означува адмитанса?

Како се означува индуктивната проводност?

Како се означува капацитивната проводност?

Со што се означува вкупната реактивна проводност?

Кондуктанса во коло за наизменична струја претставува:

Адмитанса во коло за наизменична струја претставува:

Сускептанса во коло за наизменична струја претставува:

Импеданса во коло за наизменична струја претставува:



## 6. Електротехника - Стручно образование

Прашање

Ознаката  $S$  се применува за означување на:

Што е аргумент на комплексната импеданса?

Што е идеален калем?

Фазната разлика помеѓу напонот и струјата кај идеален калем изнесува:

Што е фреквенција на наизменична простопериодична величина?

Што е периода на наизменична простопериодична величина?

Наизменична струја е секоја струја која со времето:

Капацитивната отпорност на кондензаторот се означува со:

Почетната фаза на струјата се означува со:

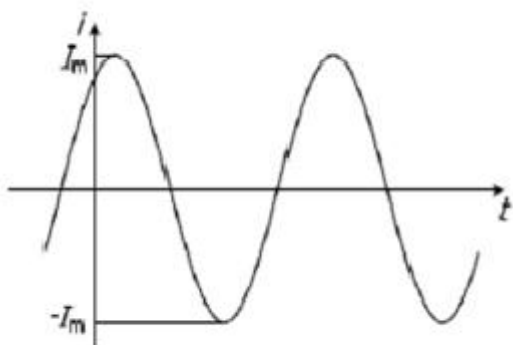
Почетната фаза на напонот се означува со:

Фазната разлика меѓу напонот и струјата се означува со:

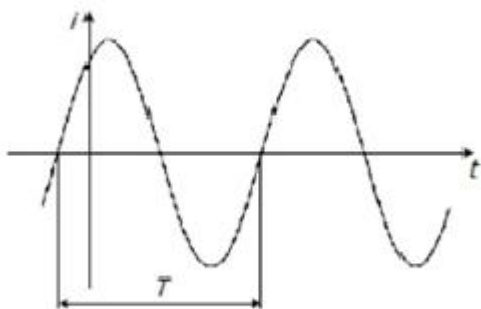
## 6. Електротехника - Стручно образование

### Прашање

На дијаграмот е претставена промената на електричната струја. Како се нарекува максималната вредност ( $I_m$ ) што може да ја достигне електричната струја?



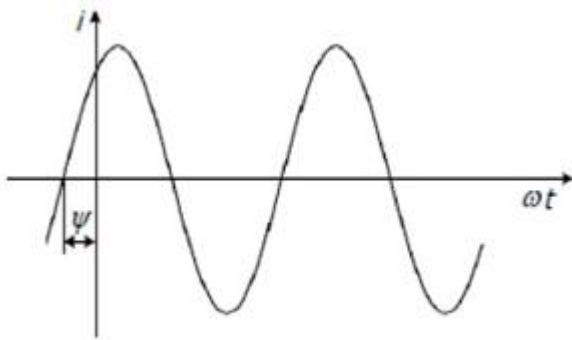
На дијаграмот е претставена промената на електричната струја. Како се нарекува времето ( $T$ ) потребно на електричната струја да направи една целосна промена?



## 6. Електротехника - Стручно образование

Прашање

Големината означена со  $\psi$  на дијаграмот на промена на струјата претставува:



Што претставува фазор?

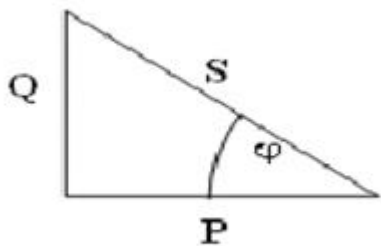
Со изразот  $I = (5 - j3)$  A е дадена:

Моментната вредност на една наизменична струја е  $i = 5\sqrt{2} \sin\left(314t + \frac{\pi}{2}\right)$  [A]. Со која формула е точно претставена комплексната вредност на струјата?

## 6. Електротехника - Стручно образование

### Прашање

За триаголникот на моќности прикажан на сликата, привидната моќност се пресметува според изразот:



Ако моментната вредност на струјата е  $i = 5\sin(314t + \pi)$  [A], тогаш изразот во заградата претставува:

Ако во редно RLC коло, односот на реактивните отпори е  $X_L = X_C$  тогаш:

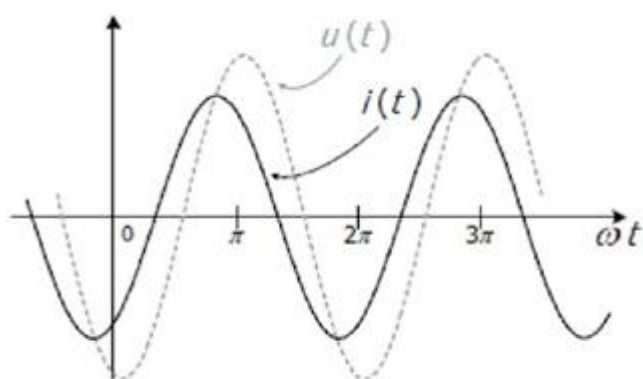
Кој израз ја одредува комплексната импеданса?

Кој израз ја одредува комплексната моќност?

## 6. Електротехника - Стручно образование

### Прашање

На сликата се дадени промените на моментните вредности на струјата и напонот на еден потрошувач. Од каков карактер е потрошувачот?



Ако во редно RLC-коло е исполнет условот да  $X_L < X_C$ , тоа коло има:

Ако во редно RLC-коло е исполнет условот да  $X_L > X_C$ , тоа коло има:

Ако во редно RLC-коло е исполнет условот да  $X_L = X_C$ , тоа коло има:

Ако во паралелно RLC-коло е исполнет условот да  $B_L = B_C$ , тоа коло има:

Ако во паралелно RLC-коло е исполнет условот да  $B_L > B_C$ , тоа коло има:

Ако во паралелно RLC-коло е исполнет условот да  $B_L < B_C$ , тоа коло има:

Што е активна моќност во коло за наизменична струја?

## 6. Електротехника - Стручно образование

Прашање

RLC потрошувач со претежно индуктивен карактер е приклучен на наизменичен напон. За поправка на факторот на моќност се користи:

Познат е изразот за моментната вредност на една струја  $i = 5\sqrt{2}\sin(314 \cdot t)$  [A]. Почетната фаза на струјата изнесува:

Познат е изразот за моментната вредност на една струја  $i = 5\sqrt{2}\sin(314 \cdot t)$  [A]. Амплитудата на струјата изнесува:

Познат е изразот за моментната вредност на една струја  $i = 5\sqrt{2}\sin(314 \cdot t)$  [A]. Ефективната вредност на струјата изнесува:

Со кој израз се пресметува комплексната моќност?

Со кој израз се пресметува комплексната вредност на струјата?

Со кој израз се пресметува комплексниот претставник на индуктивната отпорност?

Со кој израз се пресметува комплексниот претставник на капацитивната отпорност?

Напонска резонанса во редно RLC коло настанува при условот:

Кој елемент е во колото за наизменична струја ако изразите за напонот и струјата се  $u = U_m \sin\left(\omega \cdot t + \frac{\pi}{2}\right)$  [V],  $i = I_m \sin\omega \cdot t$  [A]?

## 6. Електротехника - Стручно образование

### Прашање

Ако моментната вредност на електромоторната сила е:

$e = 50\sqrt{2}\sin(314t - \pi)$  [V], тогаш комплексниот претставник на електромоторната сила е:

Во редно RL коло активната отпорност е  $3\Omega$ , а реактивната индуктивна отпорност е  $4\Omega$ . Комплексниот претставник на струјата во колото е  $\underline{I}=2$  [A]. Комплексниот претставник на напонот е:

Импедансата на редно RC коло е  $5\Omega$ , а максималната вредност на струјата во колото е  $2\sqrt{2}$  A. Колку изнесува привидната моќност во колото?

Колку изнесува индуктивноста на идеален калем со отпорност  $X_L = 40\Omega$  при фреквенција од 50 Hz?

За редно RC коло фазната разлика меѓу напонот и струјата е  $\varphi = -45^\circ$ . Тогаш односот на R и  $X_C$  е:

Колку изнесува фреквенцијата на наизменична струја чија кружна фреквенција изнесува  $\omega = 628$  rad/s?

Колку изнесува фреквенцијата на наизменична струја ако периодот е  $T = 0,02$  s?

Колку изнесува кружната фреквенција на наизменична струја чија фреквенција е  $f = 200$  Hz?

## 6. Електротехника - Стручно образование

### Прашање

Со волтметар е измерен напон на отпорник од 40 V. Максималната вредност на тој напон е?

Ефективната вредност на напонот на отпорник е 10 V, а активната отпорност на отпорникот е 10  $\Omega$ . Максималната вредност на струјата е:

Максималната вредност на напонот на отпорник е  $10\sqrt{2}$  V, а активната отпорност на отпорникот е 10  $\Omega$ . Колку изнесува ефективната вредност на струјата?

Низ отпорник со  $R=20 \Omega$  протекува наизменична простопериодична струја  $i=2\sin(\omega \cdot t - \pi/6)$  A. Изразот за моментната вредност на напонот на отпорникот е:

Ако е фреквенцијата на простопериодична струја е  $f=50$  Hz, а индуктивноста на калемот  $L=0,01$  H. Колку изнесува индуктивната отпорност на калемот?

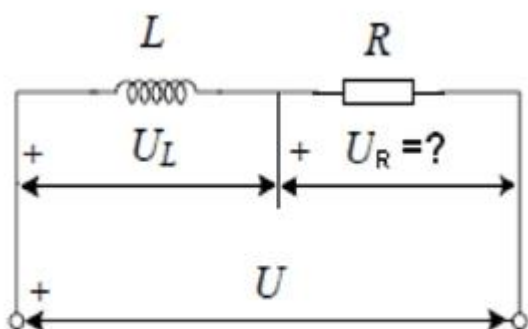
Во коло со идеален калем со амперметар е измерена струја од 0,05 A, а со волтметар напон од 25 V на краевите на идеалниот калем. Индуктивната отпорност на идеалниот калем е:



## 6. Електротехника - Стручно образование

### Прашање

За редното коло на сликата познато е  $U=50\text{ V}$ ;  $U_L=40\text{ V}$ . Да се одреди ефективната вредност на напонот на отпорникот?



Идеален калем со индуктивност  $L=20\text{ mH}$  е приклучен на наизменичен простопериодичен напон  $u=20\sin\left(314\cdot t+\frac{\pi}{3}\right)$ . Средната активна моќност на идеалниот калем е:

Ако е фреквенцијата на простопериодична струја  $f=100\text{ Hz}$ , а капацитивноста на кондензаторот  $C=25\text{ }\mu\text{F}$ . Колку изнесува капацитивната отпорност на кондензаторот?

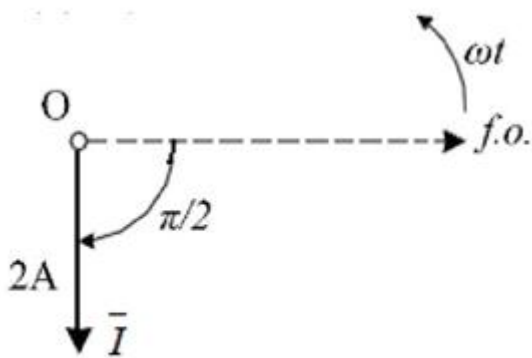
Колку изнесува комплексната вредност на импеднсата во редно RLC коло ако е познато:  $R=10\text{ }\Omega$ ;  $X_L=20\text{ }\Omega$  и  $X_C=10\text{ }\Omega$ ?

Совршен кондензатор со капацитивност  $C=5\text{ }\mu\text{F}$  е приклучен на наизменичен простопериодичен напон  $u=20\cdot\sqrt{2}\sin\left(1000\cdot t+\frac{\pi}{3}\right)\text{ V}$ . Средната активна моќност на совршениот кондензатор е:

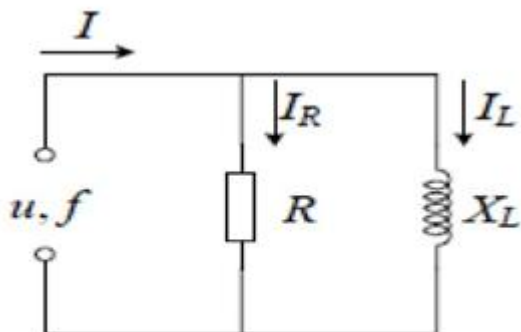
## 6. Електротехника - Стручно образование

### Прашање

За фазорот на наизменичната струја на сликата одреди ја комплексната вредност на струјата?



За паралелното коло на сликата познати се ефективните вредности на струите  $I_R=3\text{ A}$  и  $I_L=4\text{ A}$ . Колку изнесува ефективната вредност на струјата во заедничката гранка?



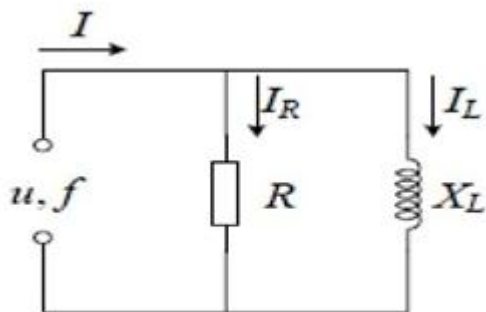
## 6. Електротехника - Стручно образование

### Прашање

За даден потрошувач за наизменична струја позната е активната моќност  $P=80\text{ W}$ , и привидната моќност  $S=100\text{ VA}$ . Реактивната моќност на потрошувачот изнесува:

За даден потрошувач за наизменична струја познати се комплексните вредности на напонот и струјата  $\underline{U}=(200-j100)\text{ V}$ ;  $\underline{I}=-j2\text{ A}$ . Активната и реактивната моќност на потрошувачот се:

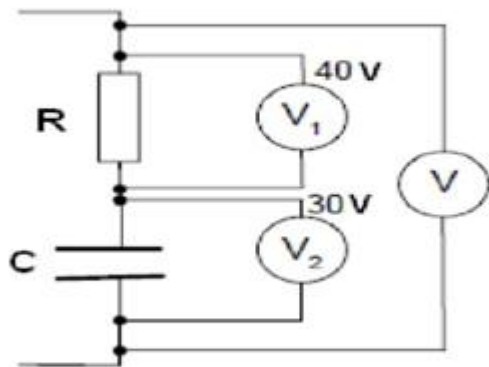
За паралелното коло на сликата познати се ефективните вредности на струите  $I_R=8\text{ A}$  и  $I=10\text{ A}$ . Ефективната вредност на струјата низ идеалниот калем изнесува:



## 6. Електротехника - Стручно образование

### Прашање

Во шемата на сликата волтметарот  $V_1$  покажува 40 V, а волтметарот  $V_2$  покажува 30V. Колку е вредноста на напонот што ја покажува волтметарот  $V$ ?



Познати се изразите за моментните вредности на напонот и струјата во коло

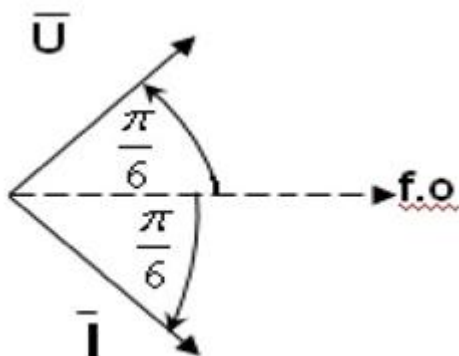
за наизменична струја  $u = U_m \sin\left(\omega \cdot t + 2 \frac{\pi}{3}\right)$ ;  $i = I_m \sin\left(\omega \cdot t + \frac{\pi}{6}\right)$ .

Фазната разлика меѓу напонот и струјата е:

## 6. Електротехника - Стручно образование

### Прашање

За фазорскиот дијаграм на сликата фазната разлика меѓу напонот и струјата изнесува:



За даден потрошувач на наизменична струја позната е активната моќност  $P=70 \text{ W}$ , реактивната  $Q=50 \text{ VAR}$ , и привидната моќност  $S=100 \text{ VA}$ . Факторот на моќност на потрошувачот изнесува:

Потрошувач за наизменична струја има импеданса  $Z=50 \Omega$ . Колку изнесува неговата адмитанса?

Капацитивната отпорност на кондензатор при фреквенција  $f_1=500 \text{ Hz}$  изнесува  $X_{C1}=50 \Omega$ . Капацитивната отпорност на кондензаторот при фреквенција  $f_2=1000 \text{ Hz}$  ќе изнесува:

## 6. Електротехника - Стручно образование

Прашање

Што е стационарна состојба во коло на наизменична струја?

Што одредува временската константа на електричните кола?

Што се преодни појави во електрично коло?

Што е стационарна состојба во коло за еднонасочна струја?

Во каков однос се коефициентот на придушувањето и временската константа?

Временската константа во електричните кола се означува со буквата:

Во редно RL коло временската константа е одредена со формулата:

Кој е условот за да во редно RLC-коло за еднонасочна струја се јави граничен случај?

Кој е условот за да редно RLC-коло за еднонасочна струја има периодичен карактер?

Со која ознака се означува придушувањето во електричните кола?

Кој е условот за да редно RLC-коло за еднонасочна струја има апериодичен карактер?

## 6. Електротехника - Стручно образование

Прашање

Колку изнесува капацитивноста, ако временската константа на преоден процес во RC коло е  $200 \mu\text{s}$  а отпорноста е  $40 \Omega$ ?

Карактеристичната импеданса во преодните состојби на електричните кола се пресметува со изразот:

За решавање на преодните состојби во електричните кола се користат:

Каква состојба е вклучувањето на електричните кола?

Состојбата во коло за еднонасочна струја кога струите и напоните се со постојана големина се нарекува:

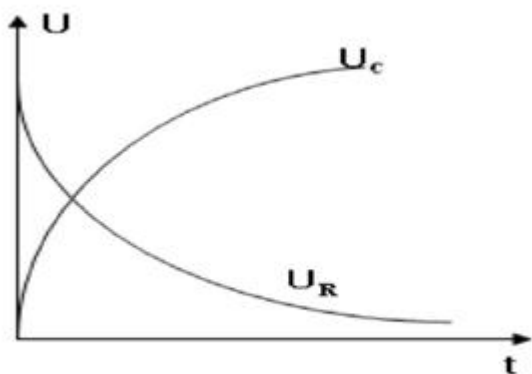
Диференцијалната равенка што се користи за решавање на преодните состојби во сериско електрично коло произлегува од равенката за:

Во редно RC коло временската константа е одредена со изразот:

## 6. Електротехника - Стручно образование

Прашање

Дијаграмот на сликата се однесува на преодни состојби при:



Редно RC коло се исклучува со негово кусо врзување, тогаш настанува процес на:

Кое тврдење е точно? Десната страна на диференцијалната равенка при решавањето на преодните состојби во коло за наизменична струја:

Кое тврдење е точно? Десната страна на диференцијалната равенка при решавањето на преодните состојби во коло за еднонасочна струја:

Што е слободен режим на електричните кола во преодните состојби?

Решавањето на преодните состојби е со цел да се одредат промените на:

Од што зависи временската константа на електричните кола?

Времетраењето на преодните состојби во електричните кола практично завршува после:



## 6. Електротехника - Стручно образование

### Прашање

Ако во редно RL за еднонасочна струја струјата расте, временската константа го претставува времето за кое струјата ќе достигне вредност:

Ако во редно RL за еднонасочна струја струјата опаѓа, временската константа го претставува времето за кое струјата ќе достигне вредност:

При исклучување на RC коло секогаш постои опасност од појава на:

При исклучување на RL коло секогаш постои опасност од појава на:

Колку изнесува омската отпорност во колото ако индуктивноста на калемот изнесува 10 mH, а временската константа на колото е 5 ms?

Кондензаторот во редно RC коло има капацитивност  $C=50 \mu\text{F}$  и омска отпорност  $R=100 \Omega$ . Колку изнесува временската константа на колото?

Колкава треба да биде најголемата капацитивност во колото со омска отпорност од  $5 \Omega$ , за да преодната состојба не трае подолго од 1 ms?

Калем во редно RL коло има индуктивност од 2 mH и омска отпорност од  $2 \Omega$ . Колку изнесува временската константа на колото?

Колкава треба да биде дополнителната омска отпорност што треба да се додаде во редно RL коло со индуктивност од 4 mH, и омска отпорност од  $4 \Omega$ , за да временската константа на колото изнесува 0,4 ms?

Кондензаторот во редно RC коло има капацитивност  $C=25 \mu\text{F}$ , а временската константа на колото изнесува 2 ms. Колку изнесува омската отпорност во колото?

## 6. Електротехника - Стручно образование

Прашање

Како се нарекува напонот помеѓу два фазни проводника?

Кој израз е точен за трифазен систем поврзан во триаголник?

Со кој израз се пресметува реактивната моќност на трифазен симетричен потрошувач?

Кај трифазниот неврзан систем се користат:

Што е фазен напон во трифазен систем?

Со кој израз се пресметува активната моќност на трифазен симетричен потрошувач?

Со кој израз се пресметува привидната моќност на трифазен симетричен потрошувач?

Која израз е точен за ефективните вредности на напоните на трифазен симетричен систем поврзан во ѕвезда?

Која израз е точен за трифазен симетричен систем поврзан во ѕвезда?

Која израз е точен за трифазниот симетричен систем поврзан во триаголник?

## 6. Електротехника - Стручно образование

Прашање

Како се нарекува напонот што се индуцира на краевите на една намотка на трифазен генератор?

Што е ѕвездиште или нулта точка на трифазен генератор?

Кај кој систем моќноста е променлива т.е. зависи од времето?

Колку кондензатори се потребни за да се изврши поправката на факторот на моќност кај трифазните потрошувачи?

Што е фазна струја кај трифазно коло?

Што е линиска струја кај трифазно коло?

Што се полифазни кола?

Монофазните потрошувачи кај трифазен систем се приклучуваат:

Кај трифазните генератори најчесто се применува врската:

Кај трифазен симетричен систем на електромоторни сили алгебарскиот збир на нивните моментни вредности секогаш е:

## 6. Електротехника - Стручно образование

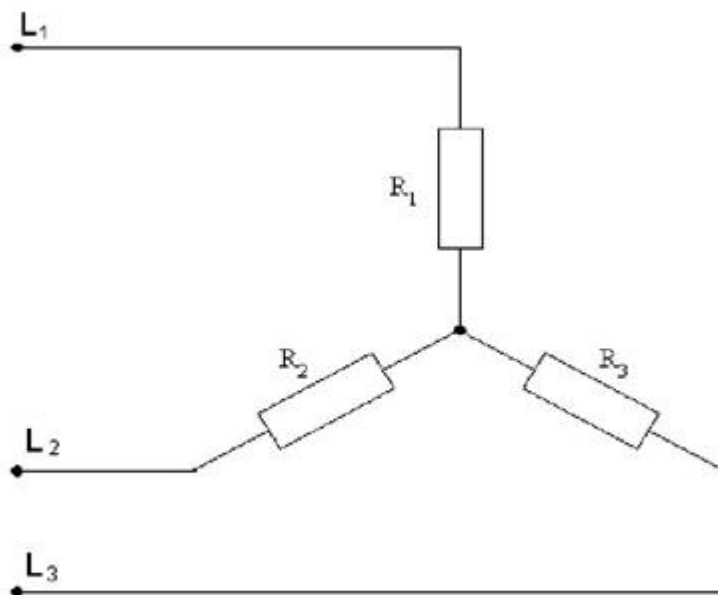
Прашање

Со која формула се пресметува фазниот агол на поместување кај полифазен систем од  $m$  фази ?

Што е директен систем на електромоторни сили на трифазен генератор?

Трифазните потрошувачи со поголеми моќности се изведуваат во врска:

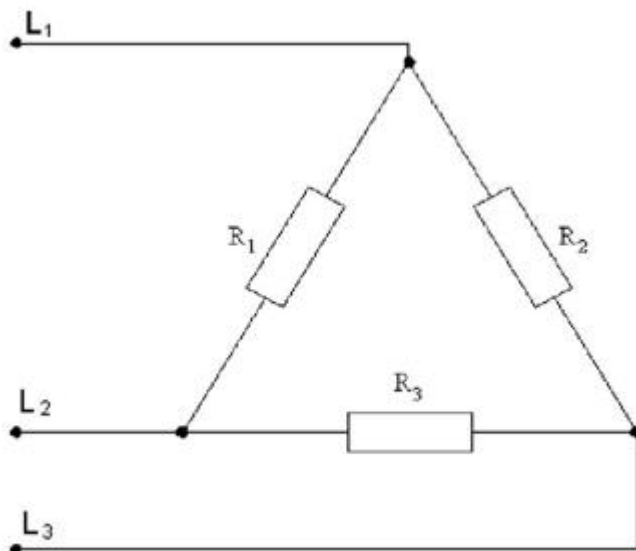
Во која врска е врзан трифазниот потрошувач на сликата?



## 6. Електротехника - Стручно образование

Прашање

Во која врска е врзан трифазниот потрошувач на сликата?



Колку изнесува ефективната вредност на линискиот (меѓуфазниот) напон во трифазната мрежа кај нас?

Колку изнесува ефективната вредност на фазниот напон во трифазната мрежа кај нас?

Кои машини се користат за производство на трифазен систем на напони?

Пронаоѓањето на полифазниот систем и сите практични решенија за неговата примена во целост се дело на:

Со кој израз се пресметува моментната моќност во трифазно коло:

## 6. Електротехника - Стручно образование

Прашање

Ефективните вредности на линискиот и фазниот напон се разликуваат во:

Комплексниот претставник на фазната импеданса на трифазниот симетричен потрошувач е  $Z_f = 4 + j8 \text{ } [\Omega]$ . Карактерот на трифазниот потрошувачот е:

Во симетричниот трифазен систем на напони во градската мрежа кај нас, трите фазни напони последователно се поместени за фазен агол од:

Каков е фазниот однос на линиската и фазната струја кај трифазно симетрично коло во врска триаголник?

Трифазен симетричен потрошувач претставува чисто активен потрошувач. Колку изнесува факторот на моќност на трифазниот потрошувач?

Кај трифазниот систем пренесувањето на електричната енергија од генераторите до потрошувачите, ако се исклучи трансформацијата на напонот се прави со:

Кај несиметричен трифазен систем со четири проводника, јачината на струјата во нултиот проводник е:

Која електрична величина не зависи од времето кај трифазниот систем?

Кога еден трифазен генератор на ЕМС е симетричен?

## 6. Електротехника - Стручно образование

Прашање

Комплексниот претставник на фазната импеданса на трифазниот симетричен потрошувач е  $\underline{Z}_f = 2-j3 [\Omega]$ . Карактерот на трифазниот потрошувачот е:

Кое тврдење е точно? Факторот на моќност на трифазно урамнотежено коло е:

Каков е фазниот однос на линискиот и фазниот напон кај трифазно симетрично коло во врска ѕвезда?

Струјата во нултиот проводник кај несиметричен трифазен систем во услови на најголема несиметрија не надминува:

Во трифазен урамнотежен систем со три проводника насоките на линиските струи во даден момент се одредени така што:

Ако фазните намотки на трифазен генератор не се меѓусебно поврзани и ако секоја фазна намотка ја поврземе со потрошувачот преку два посебни проводника се добива:

Што е карактеристично за трифазно симетрично коло во врска триаголник?

Која изведба на трифазен систем е најекономична?

Во што се состои потребата од нултиот проводник во трифазните кола?

Што е карактеристично за трифазната моќност?

## 6. Електротехника - Стручно образование

Прашање

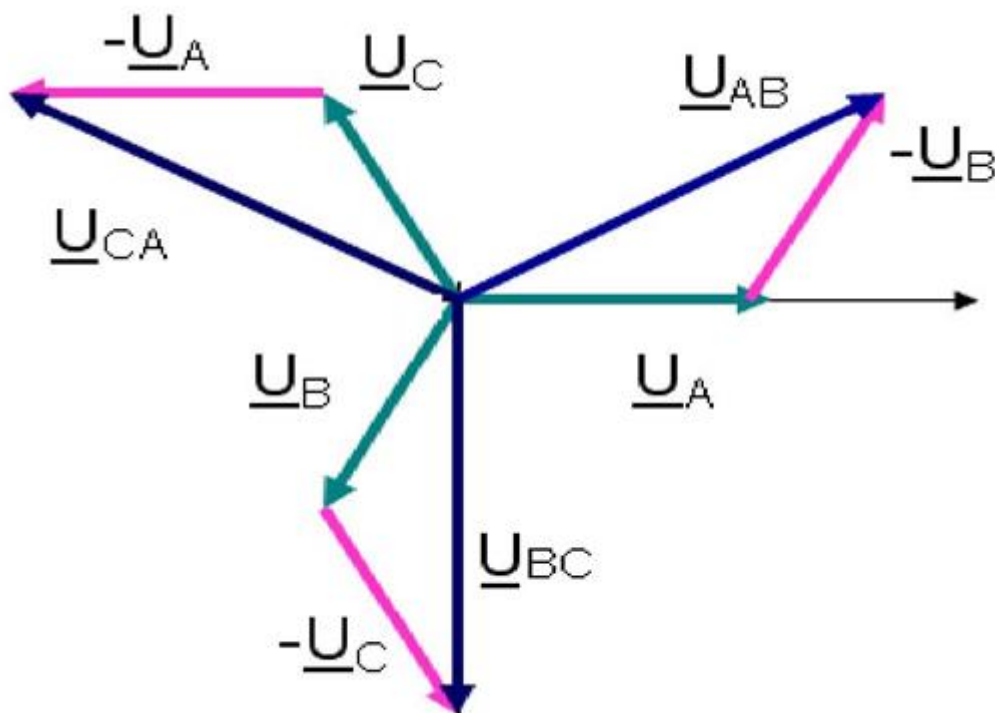
Ако еден трифазен електромотор кој работел во врска ѕвезда се преврзе во врска триаголник тогаш линиската струја:

Како се изведува врската триаголник на трифазен генератор?

Како се изведува врската ѕвезда на трифазен генератор?

Која е точната формула за пресметка на комплексната привидна моќност во трифазно коло?

Комплексниот дијаграм на напоните што е даден на сликата се однесува на:





## 6. Електротехника - Стручно образование

### Прашање

Ефективната вредност на линискиот напон на кој е приклучен трифазен симетричен потрошувач изнесува 380 V, а ефективната вредност на линиската струја 2 A. Колку изнесува привидната моќност на потрошувачот?

Трифазен симетричен потрошувач поврзан во ѕвезда со фазна импеданса од  $Z_f = 22 \Omega$ , е приклучен на линиски напон од  $U_l = 380 \text{ V}$ . Колку изнесува ефективната вредност на фазната струја?

Фазната импеданса на трифазниот симетричен потрошувач е  $Z_f = 5 [\Omega]$ , а реактивната отпорност  $X_f = 4 [\Omega]$ . Активната фазна отпорност на потрошувачот е:

Трифазен потрошувач е врзан во триаголник и приклучен на линиски напон со ефективна вредност  $U_l = 220 \text{ V}$ . Оптоварувањата на фазите се меѓусебно еднакви и изнесуваат  $R_f = 11 \Omega$ . Ефективната вредност на линиската струја изнесува:

Симетричен трифазен потрошувач е поврзан во ѕвезда при што ефективната вредност на фазната струја изнесува 3 A. Колку изнесува ефективната вредност на линиската струја?

Трифазен потрошувач е врзан во ѕвезда и приклучен на мрежа при што ефективната вредност на фазната струја изнесува 4 A. Оптоварувањата на фазите се меѓусебно еднакви и изнесуваат  $Z_f = 5 \Omega$ . Колку изнесува привидната трифазна моќност на потрошувачот?

Трифазен електромотор е врзан во триаголник и приклучен на наизменичен напон, при што развива активна моќност  $P_\Delta$ . Потоа тој се преврзува во ѕвезда и развива моќност  $P_Y$ . Со кој израз е определен односот на моќностите?

## 6. Електротехника - Стручно образование

### Прашање

За симетрично трифазно коло во врска триаголник позната е ефективната вредност на линискиот напон  $U_l = 220 \text{ V}$ . Колку изнесува ефективната вредност на фазниот напон во системот?

За симетрично трифазно коло во врска ѕвезда позната е ефективната вредност на фазниот  $U_f = 220 \text{ V}$ . Колку изнесува ефективната вредност на линискиот напон во системот?

Ефективната вредност на фазниот напон на кој е приклучен трифазен симетричен потрошувач изнесува  $220 \text{ V}$ , а ефективната вредност на фазната струја  $4 \text{ A}$ . Колку изнесува привидната моќност на потрошувачот?

Трифазен потрошувач е симетричен и урамнотежен ако е исполнет условот:

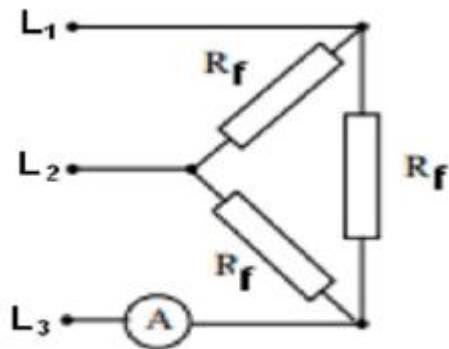
Капацитетот на кондензаторите врзани во ѕвезда што се користат за поправка на факторот на моќност во трифазните кола во однос на капацитетот на кондензаторите во триаголник е одреден со односот:

Трифазен мотор е врзан во триаголник и приклучен на мрежа со напон  $220 \text{ V} / 380 \text{ V}$ , при што влече  $I_f = 25 \text{ A}$ . Да се пресмета активната моќност на моторот ако факторот на моќност изнесува  $\cos\varphi = 0,8$ ?

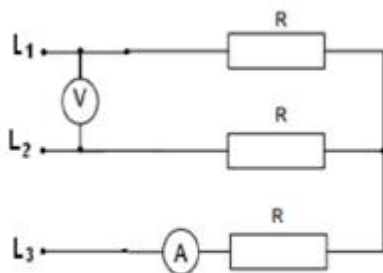
## 6. Електротехника - Стручно образование

### Прашање

На трифазна мрежа со  $U_l = 100\text{ V}$ , приклучен е трифазен омски потрошувач со  $R_f = 10\ \Omega$ . Која вредност на јачината на струјата ќе ја измери амперметарот поставен како на сликата?



Во трифазното коло на сликата амперметарот покажува струја од  $3\text{ A}$ , а волтметарот  $380\text{ V}$ . Колку изнесува активната моќност на трифазниот потрошувач?



Трифазен потрошувач е врзан во ѕвезда и приклучен на мрежа со фазен напон  $U_f = 220\text{ V}$ , при што влече  $I_f = 4\text{ A}$ . Колку изнесува реактивната моќност на моторот ако факторот на моќност изнесува  $\cos\varphi = 0,8$ ?

## 6. Електротехника - Стручно образование

### Прашање

За симетричен трифазен потрошувач позната е неговата активна моќност  $P=400\text{ W}$ , и привидната моќност  $S= 500\text{ VA}$ . Колку изнесува реактивната моќност на трифазниот потрошувач?

Активната моќност по фаза на трифазниот симетричен потрошувач е  $400\text{ W}$ , а реактивната моќност е  $300\text{ VAR}$ . Колку изнесува факторот на моќност на потрошувачот?

Симетричен трифазен потрошувач е врзан во ѕвезда и приклучен на мрежа со  $U_l= 380\text{ V}$ , при што, фазната струја низ него изнесува  $I_f = 22\text{ A}$ . Колку изнесува вредноста на фазната импеданса на потрошувачот?

Симетричен трифазен потрошувач е врзан во триаголник и приклучен на мрежа со  $U_l= 380\text{ V}$ , при што, линиската струја изнесува  $I_l = 17,32\text{ A}$ . Колку изнесува вредноста на фазната импеданса на потрошувачот?

Активната моќност по фаза на трифазен симетричен потрошувач е  $40\text{ W}$ , а факторот на моќност на потрошувачот  $0,8$ . Колку изнесува трифазната привидна моќност на потрошувачот?

Привидната моќност на трифазен симетричен потрошувач изнесува  $2250\text{ VA}$ , а факторот на моќност на потрошувачот  $0,8$ . Колку изнесува активната моќност по фаза на трифазниот потрошувач?

За симетрично трифазно коло во врска триаголник позната е ефективната вредност на фазниот напон  $U_f = 220\text{ V}$ . Ефективната вредност на линискиот напон во системот изнесува:

## 6. Електротехника - Стручно образование

Прашање

За симетрично трифазно коло во врска ѕвезда позната е ефективната вредност на линиската струја  $I_l = 4$  А. Ефективната вредност на фазната струја во системот изнесува:

Релативното лизгање на асинхрон мотор е:

Синхроната брзина е брзина на:

Со која ознака се означува релативното лизгање на асинхрон мотор?

Какво магнетно поле создава монофазна струја во една намотка?

Со која ознака се означува синхроната брзина?

Што е асинхрона брзина?

Какво магнетно поле создава трифазна струја во трифазен статор или ротор?

Синхрон мотор е уред за наизменична струја кај кој:

## 6. Електротехника - Стручно образование

Прашање

Кој од електричните уреди во дадениот режим НЕ може сама да тргне во работа?

Со која ознака се означуваат паровите на магнетни полови кај вртливите електрични машини?

Со која ознака се означува брзината на роторот на асинхрон мотор?

Што е пулсирачко поле?

Насоката на вртењето на роторот на асинхрон мотор може да се промени ако:

Вртливо магнетно поле може да се добие:

Со која брзина се врти роторот кај асинхрониот мотор?

На кој принцип работи асинхрониот мотор?

## 6. Електротехника - Стручно образование

### Прашање

Со кој израз е одреден интензитетот на магнетната индукција кај вртливото магнетно поле во однос на амплитудата на едно пулсирачко поле за трифазен систем?

Синхроната брзина на еден асинхрон мотор се зголемила два пати. Тоа се случило зато што:

Брзината на вртењето на вртливото магнетно поле на двополов статор е 3000 вртежи/мин. Колку изнесува брзината на вртењето на вртливото магнетно поле ако фреквенцијата се намали 2 пати?

Брзината на роторот на асинхрон мотор изнесува 2850 вртежи/ мин., а релативно лизгање е 5%. Во тој случај синхроната брзина изнесува:

Брзината на вртењето на вртливото магнетно поле на четворополов трифазен статор е 1000 врт/мин. Како ќе се промени брзината на вртењето на вртливото магнетно поле ако бројот на парови магнетни полови се намали за два пати при непроменета фреквенција?

Колкав е интензитетот на магнетната индукција на вртливото поле на трифазен асинхрон мотор ако амплитудата на магнетната индукција на едно пулсирачко магнетно поле изнесува 10 Т?

Колкава е фреквенцијата на трифазните струи во четириполов статор ако синхроната брзина изнесува 1500 врт/мин?

Колкава е амплитудата на пулсирачкото магнетно поле на трифазен асинхрон мотор ако интензитетот на вртливото магнетно поле изнесува 3Т?

## 6. Електротехника - Стручно образование

### Прашање

Колку изнесува бројот на парови на магнетни полови на трифазен статор кај кој брзината на вртливото поле изнесува 750 врт/мин, а фреквенцијата 50 Hz?

Колкаво е апсолутното лизгање на асинхрон мотор чија синхрона брзина изнесува 1000 врт/мин, а брзината на роторот 920 врт/мин?

Трифазен асинхрон мотор има апсолутно лизгање од 60 врт./мин. Колкава е брзината на роторот ако синхроната брзина изнесува 3000 врт/мин?

Фреквенцијата во статорот на трифазен асинхрон мотор при нормална работа е  $f_s=50$  Hz, а во роторот  $f_r =1$  Hz. Колку изнесува вредноста на релативното лизгање на моторот?

Синхроната брзина на асинхрон мотор изнесува 1000 врт/ мин., а релативното лизгање е 3 %. Колку изнесува брзината на роторот на асинхрониот мотор?

Колку изнесува брзината на роторот на четворополов синхрон мотор кој е приклучен на трифазна мрежа со фреквенција 50 Hz?

Реалното осцилаторно коло е составено од:

Ако едно осцилаторното коло е во режим на резонанса тогаш:

Напонска резонанса е појава што се случува во:

Струјна резонанса е појава што се случува во:



## 6. Електротехника - Стручно образование

Прашање

Со која ознака се означува факторот на доброта во осцилаторните кола?

Како се дефинира доменот на пропустливост на осцилаторно коло?

Со која ознака се означува доменот на пропустливост во осцилаторните кола?

Од кои конструктивни елементи се состои идеално осцилаторно коло?

Што одредува Томсоновата формула?

Кој услов треба да е исполнет за појава на резонанса во редно осцилаторно коло?

Кој услов треба да е исполнет за појава на резонанса во паралелно осцилаторно коло?

Со која формула е одреден факторот на доброта во осцилаторните кола?

Кога е потребно да НЕ се пропушти одреден сигнал, се употребува:

Со формулата  $T_0 = 2\pi \cdot \sqrt{L \cdot C}$  се пресметува:

Кое тврдење е точно? Во идеално осцилаторно коло:

Кој услов е исполнет во идеално осцилаторно коло?

## 6. Електротехника - Стручно образование

Прашање

Доменот на пропустливост (фреквенциски опсег) на едно осцилаторно коло е одреден со:

Колку треба да изнесува факторот на доброта за да осцилаторното коло биде квалитетно?

Со формулата  $f_0 = \frac{1}{2\pi\sqrt{LC}}$  се пресметува:

Што одредува факторот на доброта во осцилаторно коло?

Како се нарекува фреквенцијата во осцилаторно коло при која импедансата на колото е еднаква на омската отпорност?

Кој израз ја одредува зависноста кај резонантната крива во осцилаторно коло?

Антирезонансата претставува случај на:

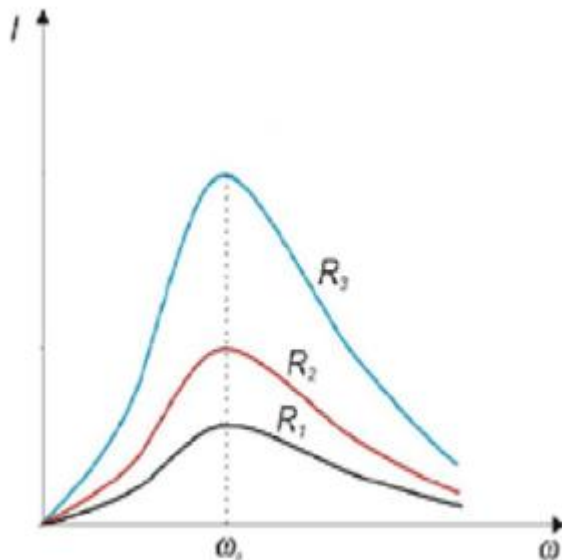
При напонска резонанса ефективната вредност на струјата во колото е:

Идеално осцилаторно коло има калем со индуктивност од 0,1 H, и кондензатор со капацитивност  $C=2,5 \mu\text{F}$ . Колку изнесува кружната фреквенција?

## 6. Електротехника - Стручно образование

Прашање

Кој однос на омските отпорности е точен за резонантните криви на сликата?



Колку изнесува капацитивноста на кондензаторот во идеално осцилаторно коло ако е позната фреквенцијата на слободните осцилации  $f_0 = 40 \text{ Hz}$ , и индуктивноста на калемот  $L = 0,1 \text{ H}$ ?

Редно осцилаторно коло при резонанса има фактор на доброта  $Q = 20$ , и карактеристична импеданса  $Z_C = 1 \text{ k}\Omega$ . Колкава е омската отпорност во колото?

Колку изнесува доменот на пропустливост (фреквенциски опсег) на осцилаторно коло ако се познати граничните фреквенции  $f_g = 1,2 \text{ MHz}$  и  $f_d = 1,1 \text{ MHz}$ ?

Редно осцилаторно коло при резонанса има фактор на доброта  $Q = 20$ , а ефективната вредност на напонот на калемот е  $U_L = 1000 \text{ V}$ . Колку изнесува ефективната вредност на напонот на изворот во колото?

## 6. Електротехника - Стручно образование

Прашање

Во RC коло отпорноста е  $50 \Omega$  а капацитивноста  $200 \mu\text{F}$ . Ако капацитивноста се зголеми на  $400 \mu\text{F}$ , колку трба да биде отпорноста за да временската константа на преодниот процес не се промени?

## 7. Информатика - Општо образование

Прашање

Опреди во кој објект на база на податоци може да се дефинира критериум или услов за прикажување на одредени записи од една или повеќе табели ?

Записите во табела на база на податоци се запишуваат во:

Што од наведеното НЕ е валиден тип на податок во база на податоци?

Поставување примарен клуч во база на податоци овозможува поврзување на:

Објекти во кои се внесуваат податоци во бази на податоци се нарекуваат:

Во база на податоци еден прашалник може да биде креиран од:

Ако во базата на податоци за училиште треба да се најдат сите наставници што предаваат во најмногу 6 паралелки, критериумот во прашалникот ќе биде:

## 7. Информатика - Општо образование

Прашање

Што ќе се случи со записот во форма доколку тој се селектира и се притисне тастерот Delete од тастатурата?

Во едно поле во база на податоци запишан е изразот „>=#01/01/2009#“. Што ќе се изврши врз податоците во табелата?

Употребата на тагот <HTML> при пишување HTML програма означува:

Кои тагови ја претставуваат основната структура на веб-страница креирана со HTML програмскиот јазик?

Со користење на CSS синтаксата при креирање веб-документи се овозможува:

Користењето на тагот <title>МАКЕДОНИЈА</title> во програмскиот јазик HTML на веб-страницата ќе овозможи прикажување:

Опредиeli кој израз ќе постави хиперлинк на веб-страницата?

На веб-страницата на библиотеката има елемент контакт кој служи за испраќање пораки до администраторот. Што од наведеното ќе ја креира врската за испраќање порака?

Опредиeli кој израз ќе ја порамни содржината во ќелијата од табелата на левата страна.

Опредиeli кој израз ќе вметне слика на веб-страница.

Каков вид информации НЕ треба да се поставуваат на веб-страница?

## 7. Информатика - Општо образование

### Прашање

Ако во програмскиот јазик HTML го употребиме тагот <p> тогаш на веб-страницата:

Опреди во колку реда ќе се прикаже текстот со кириличните букви со извршување на наведениот сегмент од програмскиот јазик HTML. <html> <body><p>Ова е<br>мојата<br>библиотека</p> </body> </html>

Опреди каква ќе биде позадината на веб-страницата со извршување на наведениот таг во програмскиот јазик HTML: <html> <body style="background-color:yellow;"> <h2 style="background-color:red;">Скопје</h2> <p style="background-color:green;">Скопје</p> </body> </html>

Опреди што ќе се прикаже на веб-страницата со користење на наведените тагови во програмскиот јазик HTML: <html> <body> <h4>Мени:</h4> <ol> <li>Кафе</li> <li>Чаж</li> <li>Млеко</li> </ol> </body> </html>

Кога користиме таг за наслов во веб-документ, веб-пребарувачот ќе го прикаже:

Кои мултимедијални елементи се додаваат при обработка на видео запис?

Кој од наведените модели на бои ги користи трите основни бои: црвена зелена и сина?

## 7. Информатика - Општо образование

Прашање

Алатките на сликата во програма за растерска графика се користат за:



Алатките на сликата во програма за растерска графика се користат за:



Определи со кој од следниве формати одредена зачувана слика ќе зафаќа најмалку мемориски простор?

Доколку во палетата за слоеви во програма за компјутерска графика се активира алатката прикажана на сликата, тогаш слојот е:



При пишување текст во програма за растерска графика ќе се креира:

## 7. Информатика - Општо образование

Прашање

Редоследот на креираните слоеви во програма за компјутерска графика:

Доколку врз селекција на даден објект во програма за растерска графика се примени влечење со притиснато лево копче на глумчето и истовремено се притисне тастерот Shift од тастатурата, селекцијата ќе се:

Креирање правилна кружна селекција во програма за растерска графика се изведува со избрана алатка за кружна селекција и притиснат тастерот:

Алатката за доделување прелив во програма за растерска графика може да се аплицира врз:

Слика креирана во програма за растерска графика може да се состои од повеќе:

Кој дел од палетата со слоеви е најзначаен за квалитетот на снимката при додавање анимација на објект?

Со зголемување на димензиите на сликата нејзиниот квалитет ќе се:

Кој од наведените записи претставува правилно напишано име на графичка датотека?

Во програма за растерска графика Иван ја користи гумата за да избрише дел од сликата. На местото на избришаниот дел ќе се појави:

На слоевите во програма за растерска графика се прикажува:

Определи со кое копче се креира нов слој во програма за растерска графика?



## 7. Информатика - Општо образование

### Прашање

слика 1

слика 2

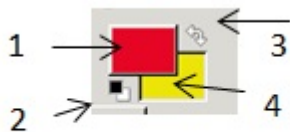
Кои постапки треба да се применат на сликата 1 за да се добие слика 2?



## 7. Информатика - Општо образование

### Прашање

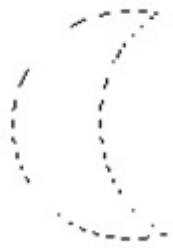
Ако се одбрани основната и позадинската боја како на сликата, на кое копче треба да се кликне за да се постави жолтата боја за основна и црвената боја за позадинска боја?



## 7. Информатика - Општо образование

### Прашање

Елена сака да исцрта селекција во облик на млада месечина како на сликата. Таа прво треба да нацрта една кружна селекција и пред да ја исцрта втората кружна селекција, во опциите треба да го одбере копчето за:



Промена на редоследот на обоените кругови во програма за растерска графика, може да се направи со измена на редоследот на:



## 7. Информатика - Општо образование

### Прашање

Секоја анимација има почеток и крај. Дефинирањето на почетокот и крајот на анимацијата се врши со поставување:

Со декларацијата `int data [5]` се дефинира:

Со декларацијата `"int arr [10]"`, се креира низа од:

Големината на една низа се определува со изразот:

Колку елементи треба да содржи низата `char name[ ] = "Darko" ?`

Декларирана е низа од 10 елементи со иницијализација `{1,2,3,4,5}`. Која вредност ќе се додели на осмиот елемент од низата?

Опреди колку пати ќе се изврши следниот програмски код.  
`z = 3; do { z = z + 2; cout << z; } while (z <= 8);`

Одговори што ќе се отпечати со извршување на следниов дел од програмата:  
`x = 5; y = 5; if (x - y > 0) cout << x - y; else cout << x + y;`

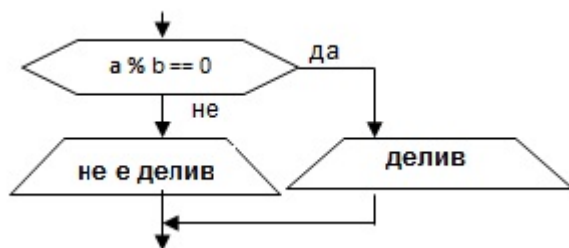
Опреди која вредност ќе ја има променливата **a** по извршување на следниот програмски дел.  
`a = 10; b = 2; if (a > 10 && b < 20) a = a + b; else if (a > 10) a = 2*a + b; else a = 3*a + b;`

Што е дефинирано со следниот израз? `const int visina=100;`

## 7. Информатика - Општо образование

### Прашање

Врз основа на алгоритамската шема определи што од наведеното е точно.



Определи која вредност ќе се прикаже по извршување на следниве наредби.

```
x=10;
y=5;
z=2*y;
if (x>=z)
z=z+x;
else
z=z+y;
cout<<z;
```

Ана напишала програма за печатење на броевите од 1 до 10. Кога ја превела програмата, преведувачот и јавил грешка. Каде згрешила Ана?#include <iostream>using namespace std;int main(){ float x;for (x=1; x<=10; x++){ cout<<x; } return 0;}

## 7. Информатика - Општо образование

### Прашање

Опреди кој е резултатот по извршување на следниот програмски код.

```
#include <iostream>
using namespace std;
int main()
{
    float број1 = 1.1;
    double број2 = 1.1;
    if (број1 == број2)
        cout << "Наставник";
    else
        cout << "Ученик";
    return 0;
}
```

Башким напишал програма за печатење на броевите од 10 до 1: #include <iostream>using namespace std;int main(){int a=10;while (a<=1){cout<<a;} return 0;} По наредбата cout<<a; заборавил да ја напише наредбата a--;. Што ќе прикаже програмата на Башким?

Јане сака да ги отпечати броевите од 1 до 10. Кој програмски сегмент треба да го напише во неговата програма?

Која е разликата меѓу структурите do и while при креирање јамка?

Што се пресметува со извршување на следниот програмски блок?  
#include<iostream>using namespace std;int main(){ int X[20],i,n,s=0; cout<<"Vnesi broj na clenovi vo nizata: "; cin>>n; for(i=1;i<=n;i++) { cout<<i<<".clen: "; cin>>X[i]; s=s+X[i]; } cout<<s<<endl; system("PAUSE"); return 0; }

## 7. Информатика - Општо образование

### Прашање

Што ќе се прикаже со извршување на следниот програмски блок?  

```
#include <iostream>using namespace std;int main (){int i, niz[10];for (i=0;i<10;i++){cout<<"Vnesi broj: ";cin>>niz[i];}for(i=9;i>=0;i--){cout<<niz[i]<<","; }system("Pause");return 0;}
```

Опреди што ќе се прикаже со извршување на следниот програмски сегмент.  

```
#include<iostream>using namespace std;int main(){ int n,i=1; cout<<"Vnesi prirodan broj: "; cin>>n; while(i<=n) { if(n%i==0) cout<<i<<" "; i++; } system("PAUSE"); return 0;}
```

Лирие сака да провери дали бројот 8 е парен број. Таа во нејзината програма ги напишала следниве наредби `x=8%2; cout<<x;`. Како Лирие треба да ја декларира променливата `x`?

Опреди што ќе се прикаже со извршување на следниот програмски сегмент.  

```
#include <iostream> #define n=10 using namespace std; int main () { int a[n]={1, 3, 6, 10, 15, 21, 28, 36, 45, 55} int i, suma=0; for (i=0; i<n; i++) { if (a[i] % 3 == 0) suma+=a[i]; } cout<<suma<<endl; return 0; }
```

## 7. Информатика - Општо образование

Прашање

Според кои критериуми се подредени податоците во табелата прикажана на сликата?

Тромесечје	Град	Производ	Промет
1	Битола	Принтери	38.064,00
1	Битола	Скенери	47.502,00
1	Битола	Компјутер	94.420,00
1	Куманово	Компјутер	2.155,00
1	Куманово	Принтери	31.619,00
1	Куманово	Скенери	77.758,00
1	Скопје	Принтери	2.641,00
1	Скопје	Компјутер	12.405,00
1	Скопје	Скенери	47.191,00
1	Струмица	Компјутер	11.590,00
1	Струмица	Принтери	18.049,00
1	Струмица	Скенери	34.392,00



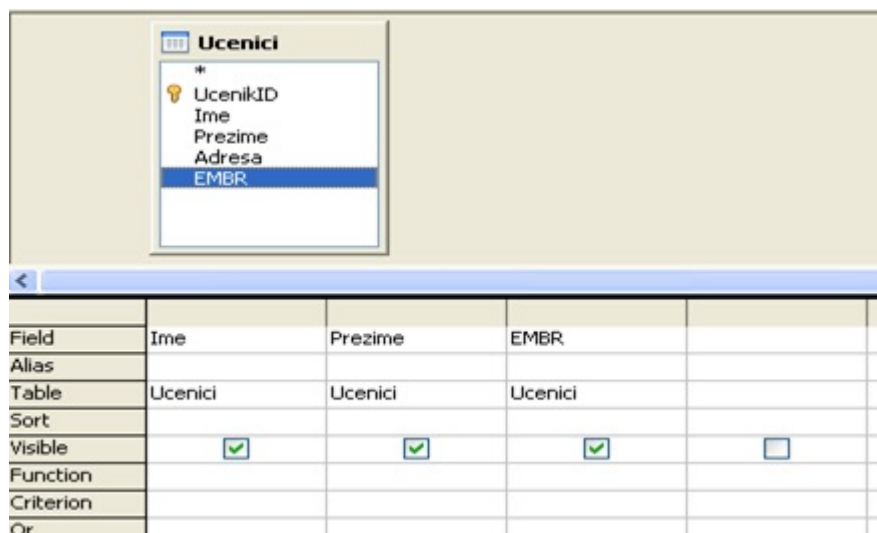
## 7. Информатика - Општо образование

### Прашање

Со зададениот критериум во прашалникот ќе се прикажат податоци за личности:

Field:	Име	Презиме		
Table:				
Sort:				
Show:	<input type="checkbox"/>	<input type="checkbox"/>	<input type="checkbox"/>	<input type="checkbox"/>
Criteria:				
or:	"xxxxxxx"	"yyyyyy"		

Во прашалникот на сликата, креиран од табелата Ucenici нема да биде прикажано полето:



Field	Ime	Prezime	EMBR	
Alias				
Table	Ucenici	Ucenici	Ucenici	
Sort				
Visible	<input checked="" type="checkbox"/>	<input checked="" type="checkbox"/>	<input checked="" type="checkbox"/>	<input type="checkbox"/>
Function				
Criterion				
Or				

Еднозначно дефинирање на податоци во табела на база на податоци се прави со поставување:

## 7. Информатика - Општо образование

Прашање

Што од наведеното е валиден тип на податок во база на податоци?

За што служат прашалниците?

Кој е првиот чекор при поврзување на две табели во база на податоци?

Во едно поле во база на податоци запишан е изразот „#30/06/2009#<=30/05/2013+30“. Што ќе се изврши врз податоците во табелата?

Употребата на тагот </HTML> при пишување HTML програма означува:

Доколку меѓу таговите <BODY></BODY> се вметне текст тој ќе претставува:

Определи во колку реда ќе се прикаже текстот со кириличните букви со извршување на наведениот сегмент од програмскиот јазик HTML. <html>  
<body><p>Ова е<br>моето<br>средно<br>училиште</p></body> </html>

Кои тагови треба да ги содржи HTML код доколку е потребно да се прикажува задебелен и закосен текст?

Определи кој израз од HTML јазикот ќе ја порамни содржината во ќелија од табелата на десната страна.

## 7. Информатика - Општо образование

Прашање

Опредили што ќе се прикаже на веб-страницата со користење на наведените тагови во програмскиот јазик HTML: `<html><body><h4>Мени:</h4><table><tr><td>Кафе</td> <td>Чаж</td> <td>Млеко</td> </tr></table></body></html>`

Што е потребно да имаме за да креиреме HTML документ?

Со декларацијата `int arr [7]`, се креира низа од:

Каков вид податоци може да се дефинираат со променливата од типот `char` во програмскиот јазик C++?

Со употребата на операторот `++` во израз на програмскиот јазик C++ ќе се изврши операцијата:

Која операција ќе се изврши прва во изразот `k*a*(x+y)/b` со програмскиот јазик C++?

Опредили која вредност ќе ја има променливата `n` по извршување на следниот програмски сегмент. `a = -5; b = 5; n = (a == b) || (a < b) && (a > b);`

Ако буквата 'A' во ASCII код има реден број 65, кој реден број го има буквата 'C'?

## 7. Информатика - Општо образование

### Прашање

Со каков тип променлива треба да се декларира  $x$ , ако сакаме да му доделиме вредност 3,5?

Во програмата C++ декларирана е логичка променлива  $t$ , знаковна променлива  $r$  и целобројна променлива  $s$ . Која наредба е правилно зададена?

Опреди која вредност ќе ја има променливата  $t$  по извршување на следниов дел од програма:  $a = 8; b = -8; t = (a > b) \&\& (b < a);$

Кога ќе престане да се извршува програмски код во кој е употребена наредбата `while (x<100)?`

Опреди колкава е вредноста на целобројната променлива  $a$  по извршување на следнава наредба:  $a = 48 / 6 \% 2 + 13 \% 5;$

Одговори што ќе се прикаже со извршување на следниов дел од програмата:  $x = 10; y = 10; \text{if } (x + y > 0) \quad \text{cout} \ll x - y; \text{else} \quad \text{cout} \ll x + y;$

Одговори што ќе се прикаже со извршување на следниот програмски код. `int x = 100; while (x >= 100) { x = x + 100; } cout << x;`

Мила сака да најде решение на равенка според формулата  $X = \frac{4(a+b)}{5ab}$ . Како Мила треба да ја запише формулата во програмскиот јазик C++?

Растерската слика се состои од точки кои се нарекуваат:

## 7. Информатика - Општо образование

Прашање

Кој од наведените модели на бои ги користи трите основни бои: виолетова, жолта, црна и светло сина?

Во библиотеката на симболи која е преддефинирана во програма за анимации може да се зачуваат:

Со намалување на димензиите на сликата нејзиниот квалитет ќе:

Што претставува примарен клуч во една база на податоци?

Како се нарекува колекција од повеќе поврзани табели?

Колку примарни клуча може да се дефинираат во една табела?

Што од наведеното НЕ се вбројува во објекти на база на податоци?

Што е предмет на обработка во бази на податоци?

Која е намената на извештаите во база на податоци?

Со кој тастер се брише запис кој сеуште не е зачуван во база на податоци?

Кои задачи се изведуваат со бази на податоци?

Од што зависи големината на база на податоци?

Зошто е поволно да се одбере оптимална големина на полето?

## 7. Информатика - Општо образование

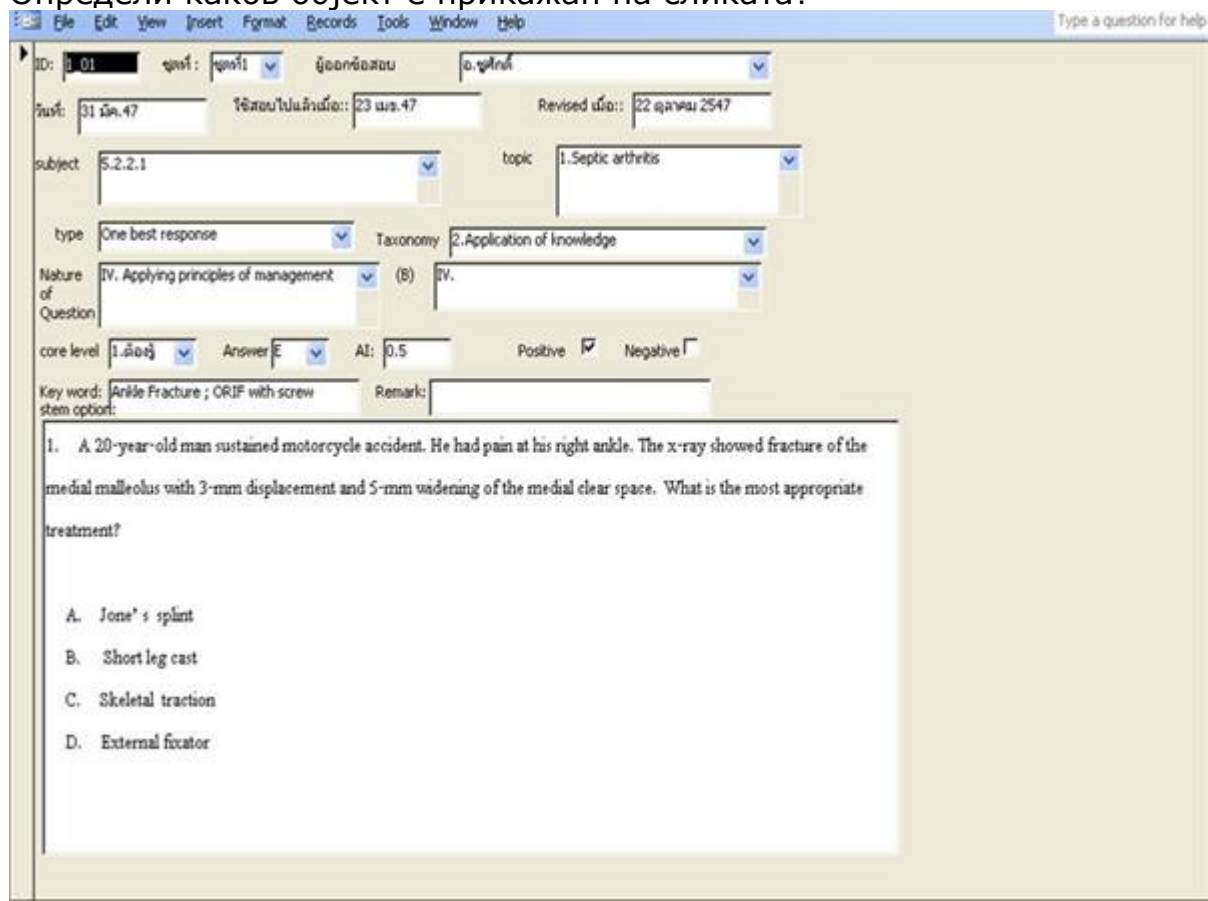
Прашање

Со користење на примарен клуч се избегнува:

Во една компанија има двајца вработени со исто име и презиме. Во базата со податоци тие ќе се разликуваат според:

Релации се користат за:

Определи каков објект е прикажан на сликата?



The screenshot shows a software interface for managing questions. The interface includes a menu bar (File, Edit, View, Insert, Format, Records, Tools, Window, Help) and a search bar. The main area contains a form with the following fields:

- ID: 01
- Author: [Name]
- Revised date: 22 June 2017
- Subject: 5.2.2.1
- Topic: 1. Septic arthritis
- Type: One best response
- Taxonomy: 2. Application of knowledge
- Nature of Question: IV. Applying principles of management (B) IV.
- Core level: 1. [Level]
- Answer: E
- AI: 0.5
- Positive:  Negative:
- Key word: Ankle Fracture ; CRIF with screw
- Remark: [Empty]

The question text is:

1. A 20-year-old man sustained motorcycle accident. He had pain at his right ankle. The x-ray showed fracture of the medial malleolus with 3-mm displacement and 5-mm widening of the medial clear space. What is the most appropriate treatment?

The answer options are:

- A. Jones' s splint
- B. Short leg cast
- C. Skeletal traction
- D. External fixator

За каков вид на база на податоци станува збор кога табелите од кои е составена се поврзани?

## 7. Информатика - Општо образование

### Прашање

Опреди на кој начин ќе се обезбеди селектирање на цените поголеми од 2500 денари во база на податоци?

Со кои три податоци може да се дефинира својството на полето?

Каков објект треба да користиме ако сакаме податоците во база на податоци да ги внесеме автоматски?

Кој изглед треба да го користиме ако сакаме да ги менуваме податоците во база на податоци?

Што претставува сортирање на податоци?

Какви податоци може да содржи релациона база на податоци?

Ако полето содржи податок за година на раѓање каков вид на примарен клуч треба да се одбере?

Која е предноста при користење на форма во однос на другите објекти во бази на податоци?

## 7. Информатика - Општо образование

### Прашање

Опреди што ќе се прикаже како резултат од пребарувањето според заддениот критериум.

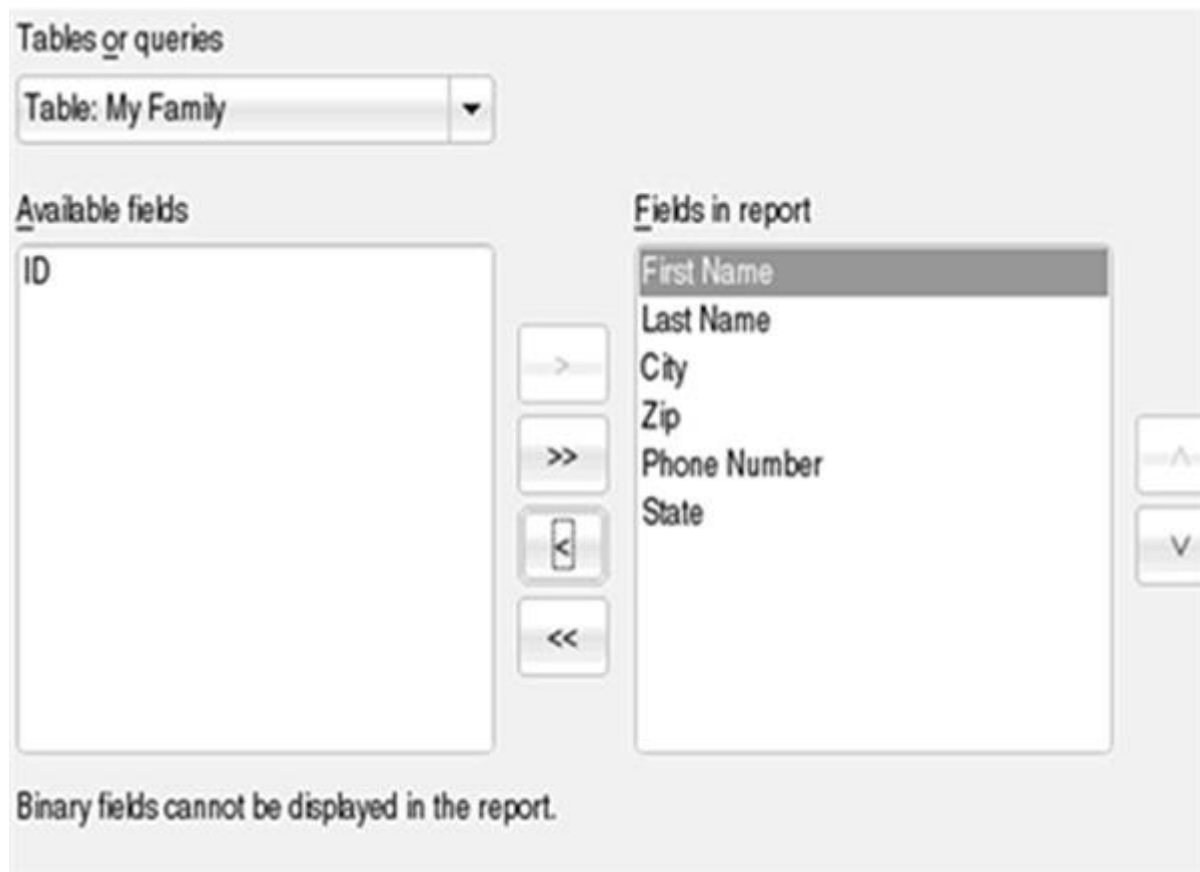
Field:	FaxNumber
Table:	Contacts
Sort:	
Show:	<input checked="" type="checkbox"/>
Criteria:	""
or:	



## 7. Информатика - Општо образование

### Прашање

Опреди што ќе се креира во база на податоци според состојбата на прикажаната слика.



The screenshot shows a report builder interface. At the top, there is a dropdown menu labeled "Tables or queries" with "Table: My Family" selected. Below this, there are two main sections: "Available fields" and "Fields in report".

**Available fields:** A list box containing the field "ID".

**Fields in report:** A list box containing the fields "First Name", "Last Name", "City", "Zip", "Phone Number", and "State". The "First Name" field is currently selected and highlighted.

Between the two list boxes are four buttons: a single right arrow (>), a double right arrow (>>), a single left arrow (<), and a double left arrow (<<). To the right of the "Fields in report" list box are two vertical arrow buttons (up and down).

At the bottom of the interface, there is a note: "Binary fields cannot be displayed in the report."

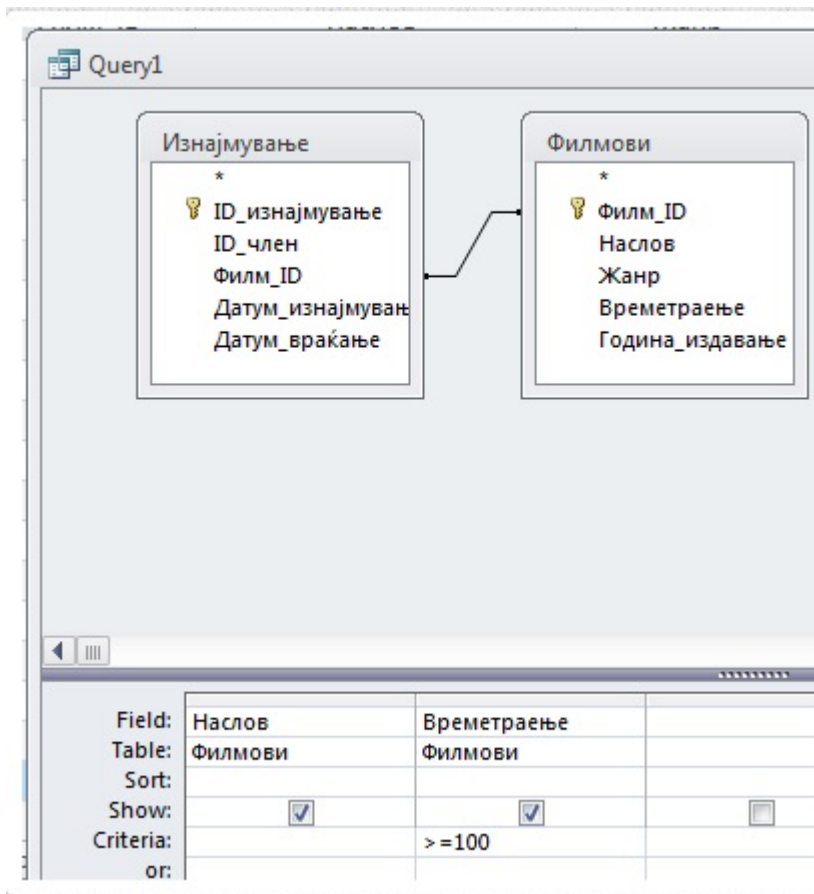
Амир треба да прикаже табела со голем број на податоци во која треба да се содржани само одредени податоци. Која постапка треба да ја изврши Амир за да ја добие табелата?

Во програмите за компјутерска графика со користење на копчето Shift и некоја од алатките за цртање:

## 7. Информатика - Општо образование

### Прашање

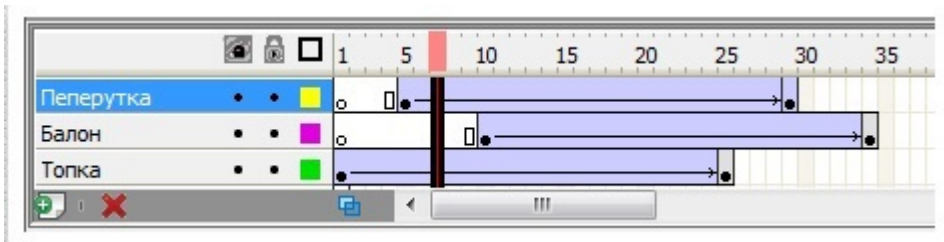
Кои филмови ќе се прикажат во прашалникот ако се поставени параметри како на прикажаната слика?



## 7. Информатика - Општо образование

### Прашање

Кои објекти се видливи во означениот кадар креиран во програма за компјутерска графика?



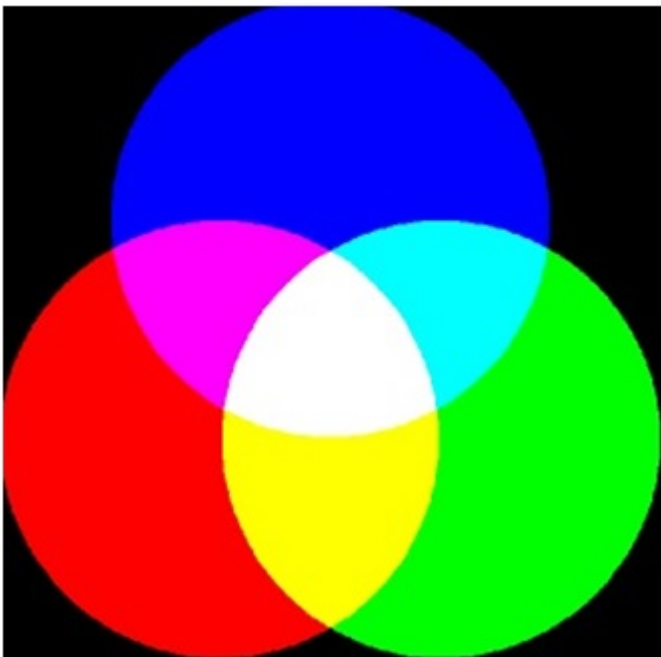
Со кои постапки е нацртано облачето?



## 7. Информатика - Општо образование

Прашање

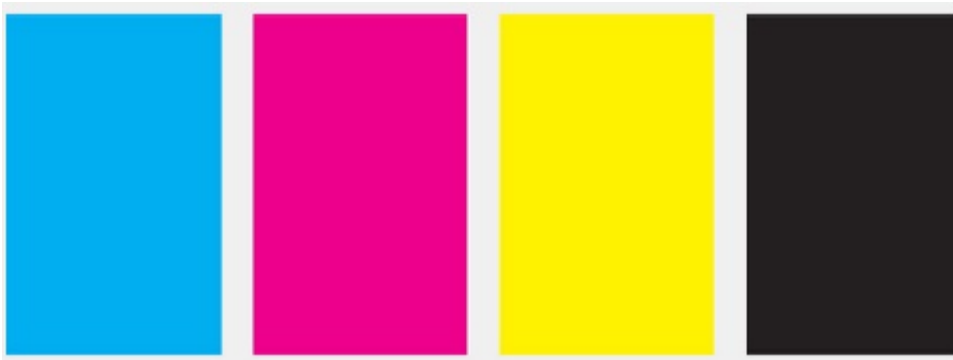
Која палета на бои е прикажана на сликата?



## 7. Информатика - Општо образование

Прашање

Која палета на бои е прикажана на сликата?

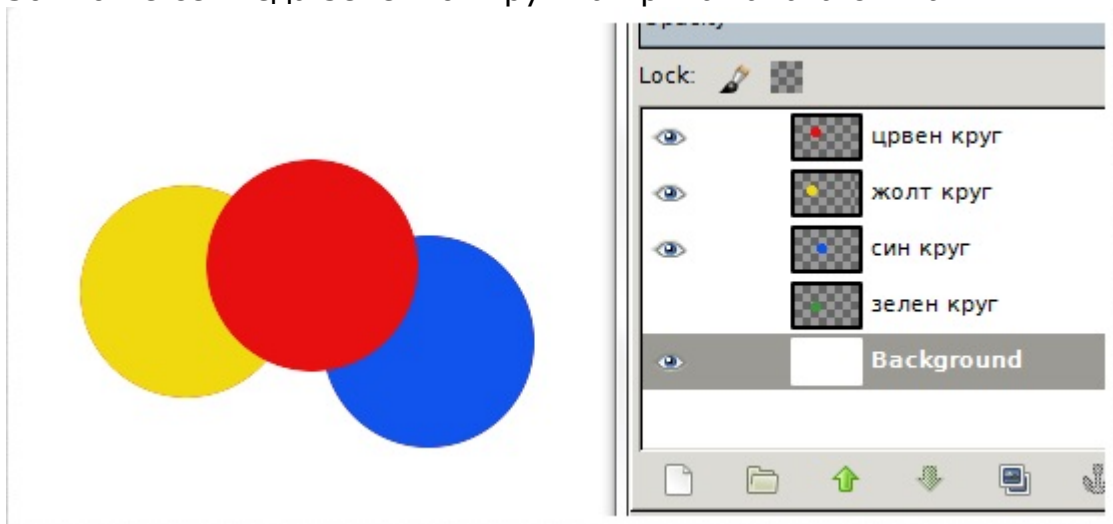


Што содржи еден кадар во сложена анимација?

## 7. Информатика - Општо образование

Прашање

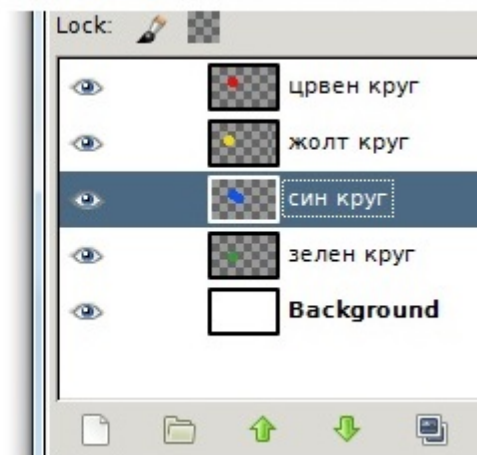
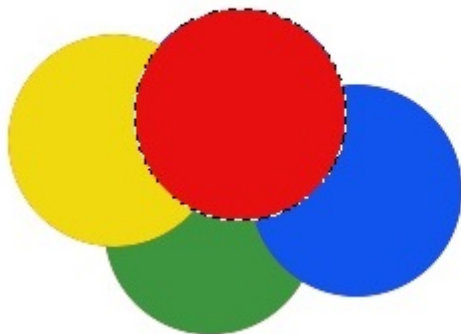
Зошто не се гледа зелениот круг на прикажаната слика?



## 7. Информатика - Општо образование

### Прашање

Ана го селектирала црвениот круг и сака да ја смени бојата, но не успева. Каде греша Ана?



Претворањето на податоците од еден формат во друг се вика:

Форматот на документот може да се определи од неговата:

Еден документ е креиран на растерска графика. Што е потребно да се употреби за да претстави на векторски начин?

На часот по ликовно Ана нацртала етикета за ЦД. Сака да и додаде специјални ефекти со програма за компјутерска графика. Како ќе го префрли цртежот во компјутер?

## 7. Информатика - Општо образование

Прашање

Опреди кои софтверски програми НЕ може да се користат за компјутерска графика.

Како се препознава селектиран дел од слика?

Елена сака да ги отстрани скијачите од сликата, без да ја оштети сликата. Со која алатка тоа може да го направи?

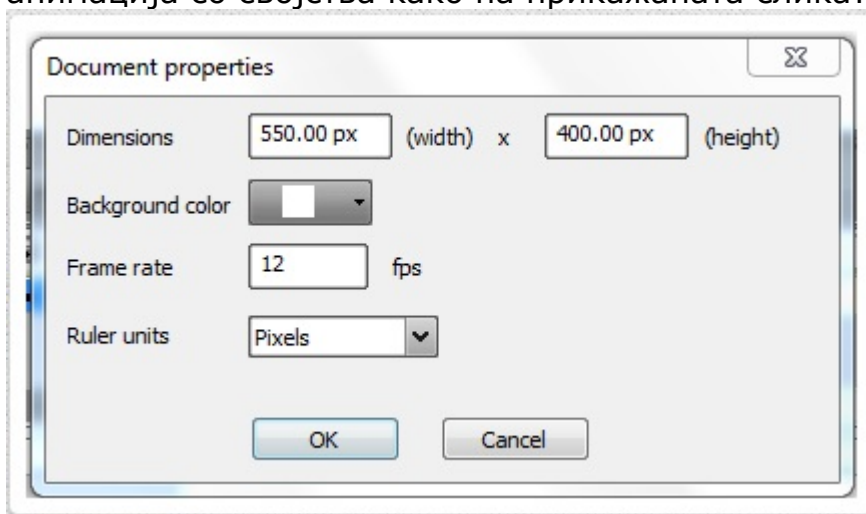




## 7. Информатика - Општо образование

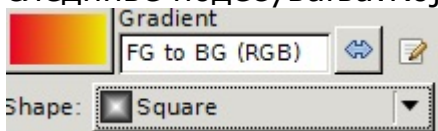
### Прашање

Топката е поставена во кадрите 1 и 24. За колку секунди ќе заврши анимација со својства како на прикажаната слика?



Јанко снимил фотографија со дигитална камера и ја зачувал на хард дискот. Што треба Јанко да направи со фотографијата пред да ја постави на Интернет за таа побргу да се вчитува?

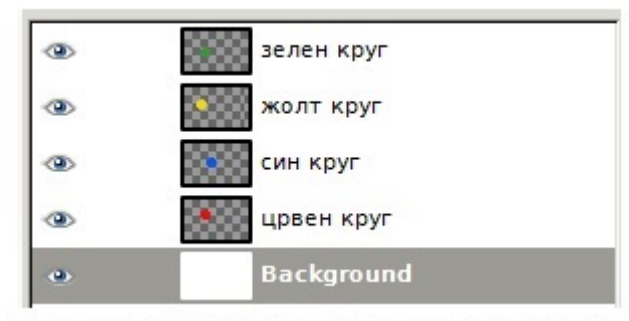
Во графичката програма, на селекција на круг применета е алатката Blend со следниве подесувања: Која од дадените слики е резултат на овие постапки?



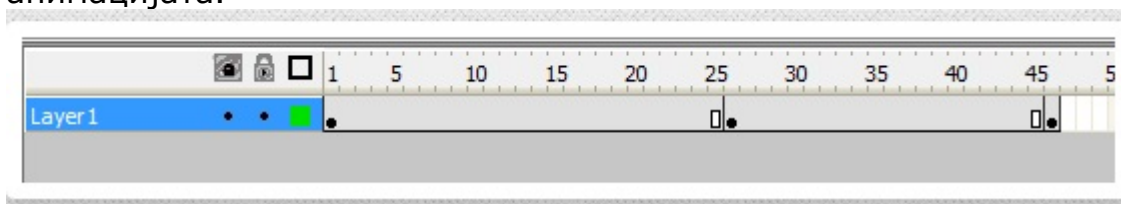
## 7. Информатика - Општо образование

### Прашање

Определи по кој редослед ќе бидат прикажани круговите според состојбата на панелот за слоеви.



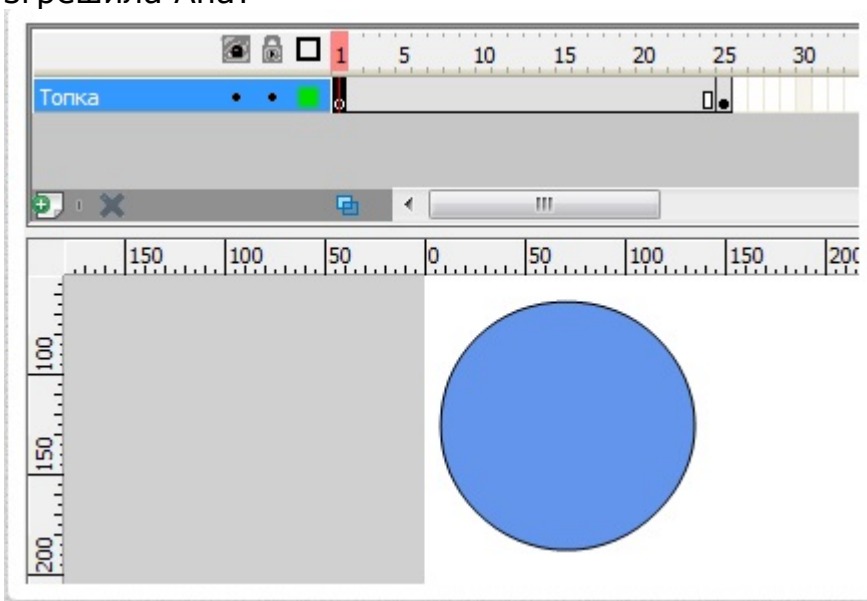
Според состојбата прикажана на сликата одговори кои кадри се клучни за анимацијата.



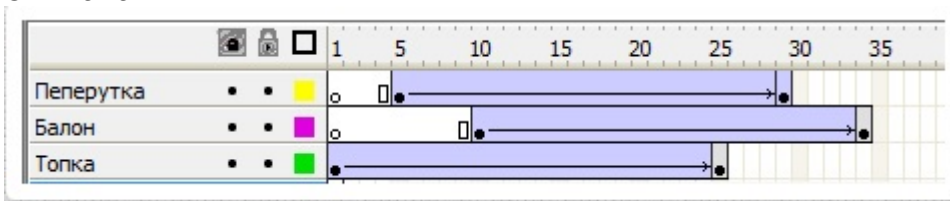
## 7. Информатика - Општо образование

### Прашање

Ана сакала топката да се движи постапно од една до друга позиција, но кога ја активирала анимацијата топката „скокнала“ во другата позиција. Каде згрешила Ана?



Кој објект ќе се прикаже прв во анимацијата со поставени параметри како на сликата.



Кратенката HTML значи:

## 7. Информатика - Општо образование

Прашање

Што се изработува со HTML јазикот?

Помеѓу кои од следните знаци се пишуваат HTML таговите?

Кој од наведените атрибути се користи за фонт на букви во HTML јазикот?

Во кој случај нема да се прикаже сликата во HTML код?

Опреди со кој HTML таг ќе се порамни содржината во ќелија на табела?

Што е потребно да имаме за да се изврши HTML кодот?

Со кој од следните тагови ќе се креира подредена листа?

Со кој од следните програмски сегменти ќе се креира неподредена листа?

Со кој од наведените HTML тагови ќе се потенцира текст?

Како ќе биде прикажан текстот по извршување на следниот програмски сегмент?  
<p>портокал,<br>јаболко,<br>банана,<br>праска</p>

Кој атрибут се користи за промена на големината на слика во HTML јазикот?

Кои елементи ќе ги содржи веб-страницата со користење на следните тагови?  
<body bgcolor="yellow" text="black" vlink="green" alink="red"><p>text</p>  
<a href="http://www.google.com"></a></body>

## 7. Информатика - Општо образование

Прашање

Што ќе се испише на веб-страницата со користење на следниот HTML таг?<!--  
-Органско потекло -->

Со кој од наведените тагови ќе се користи надворешна CSS датотека?

Опредили кој од наведените тагови се користи за поставување на хиперлинк на веб-страница до веб-страницата на yahoo.com.

Доколку е потребно во HTML документот да се постави слика која ќе биде врска до google.com пишуваме:

Опредили кој од следните сегменти се користи за креирање на табела со четири реда и три колони?

```
<html> <head><title>Додавање табела</title></head><body> <table  
border="1" width="100%">  
<tr> <td>1</td> </tr>  
<tr> <td>2</td> </tr>  
<tr> <td>3</td> </tr>  
</table> </body></html>
```

Каква табела ќе се додаде со прикажаниот HTML код ?

Опредили какво текст ќе се испише по извршување на следниот HTML код?  
<font size=+1>HTML</font> <font size=+2>е</font> <font  
size=+3>едноставен</font> <font size=+2>програмски </font> <font  
size=+1>јазик.</font>

Што од наведеното се користи за пристап до елемент во низа?

## 7. Информатика - Општо образование

### Прашање

Која вредност ја има вториот елемент во прикажаната низа?`niza[5]={5, 3, 4, 2, 7};`

Колкава е должина на следнава низа: `byte data[]={12, 34, 9, 0, -62, 88};?`

Со кој од следните изрази се декларира низа со име `img` од типот `int`?

Која вредност ќе се отпечати по извршување на следните наредби ако целобројната променлива `n` има вредност 25?`if (round(sqrt(n)) == sqrt(n)) cout<<sqrt(n);elsecout<<n;`

Кој број на индекс има последниот елемент во низа со 29 елементи?

Опреди кои од наведените низи е правилен начин за иницијализирање на вредности во низа?

Колку изнесува вредноста на логичкиот израз `NOTA OR NOTB AND NOTC` како е зададено дека `A = вистина`, `B = вистина`, `C = вистина`.

Опреди кој резултат ќе се прикаже на екранот по извршување на следниот програмски сегмент.`x = 3;y = -2;if (2*x + 3*y>0)cout<< (3 * x - 4 * y)else cout<<(4 * x + 3 * y);`

## 7. Информатика - Општо образование

### Прашање

Ако некој израз има облик тогаш наредбата за пресметување на променливата  $x$  во програмскиот јазик C++ ќе биде претставена со исказот:

$$x = \frac{\sqrt{a^2 - b^2}}{ab}$$

Даден е математичкиот израз:  $z = x^2 - y^2$  Која форма ќе ја има овој израз запишан во програмскиот јазик C++?

Опреди кои вредности ќе ги добијат променливите  $a$  и  $b$  по извршување на следниот програмски сегмент.  
`int main() { int a=2,b=3; if ((a==2) || (b++==4)) cout<<"success"; return 0; }`

Што ќе се прикаже со следниот програмски сегмент?  
`int niza[];niza[0]=7; niza[1]=3;niza[2]=niza[0]+niza[1];cout<<niza[0]<<" "<<niza[1] <<" "<<niza[2];`

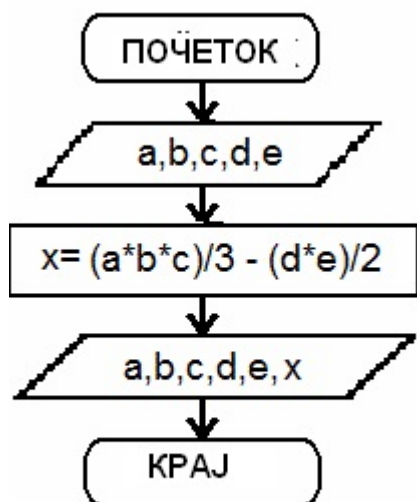
Кои вредности ги имаат индексите за низата  $niza$ , дадена со следната декларација?  
`int niza[]={2, 4, 6, 8};`

Која вредност ќе ја добие променливата  $t$  по извршување на следниот програмски сегмент?  
`t = 0;for(int i = 1;i<=4;i++){for (int j=1;j<=i; j++ ) { t=t+2*i; } }`

## 7. Информатика - Општо образование

### Прашање

Што ќе се прикаже на екранот врз основа на прикажаната програмска шема?



Што ќе се прикаже на екранот по извршување на следниот програмски сегмент?  

```
int main(){ int a=10; { a=20; { a=30; cout<<a; } cout<<a;} cout<<a;}
```

Што ќе се прикаже на екранот по извршување на следниот програмски сегмент за доколку се зададени следните вредности на променливите  $a = 30$ ,  $b = 30$  и  $c = 30$ ?  

```
cin>> (a, b, c); if (a < b) && (a < c) cout<< ('Охрид'); else if (b <= c) cout<< ('Дебар'); else cout<< ('Маврово');
```

Опреди во кој од наведените алгоритми променливата  $x$  ќе ја достигне својата десеткратна вредност и ќе ја зголеми за еден.

Кој од следните изрази ќе пристапи до седмиот елемент зачуван во низата `niza` која содржи 100 елементи?

Што ќе се прикаже со следниов програмски сегмент?  

```
int niza[]={2, 4, 6, 8}; cout<<niza[0]<< " "<<niza[1];
```



## 7. Информатика - Општо образование

### Прашање

Опреди што ќе се прикаже на екранот по извршување на следниот програмски сегмент.  
`int a=5; int b=3; if(a>b) { cout<<a+b<<endl;  
cout<<a-b<<endl;} else { cout<<a/b<<endl;  
cout<<a%b<<endl; }`

Што се пресметува со следниот програмски сегмент?  
`i=2; while (i < 11) {  
s=s+a[i]; i=i+2;}`

Кое име ќе се прикаже на екранот по извршување на следниот програмски сегмент?  
`int a=2; switch (a) { case 0: cout <<"Ana"; break; case 1:  
cout <<"Jana"; break; case 2: cout <<"Petar"; break;  
case 3: cout <<"Andrej"; break; default: cout << "No name"; }`

Што е излез на следниот програмски сегмент?  
`dolzina=10;int niza[] = {2, 4, 6,  
8, 10, 1, 3, 5, 7, 9 };for (int i=0; i < dolzina; i++)cout<<niza[i]<<" ";`

Кој од наведените програмски сегменти ќе го прикаже најголемиот број од низа броеви?

Што ќе се прикаже со извршување на следниот програмски сегмент?  
`int niza[]={2, 4, 6, 8};niza[0]=23;niza[3]=niza[1];cout<<niza[0]<<" "<<niza[3];`

## 7. Информатика - Општо образование

Прашање

Што ќе се прикаже по извршување на следниот програмски сегмент?  
`int niza[] = {2, 4, 6, 8, 10, 1, 3, 5, 7, 9 };for (int i=0; i<5; i++)cout<<niza[i]<<" "`

Што ќе се пресмета по извршување на следниот програмски сегмент?  
`#include <iostream>using namespace std;int main(){int s=0,br=0,n;double as;cout<<"бројот ";cin>>n;for(int i=1;i<=n;i+=2){++br;s+=i;}as=s/br;}`

Што ќе се изврши со активирање на следниот програмски сегмент?  
`#include<iostream>using namespace std;int main(){int i,n;float x[20],s=0,p=1,as;cout<<"Внеси број на членови: ";cin>>n;for(i=1;i<=n;i++){cout<<i<<".broj: ";cin>>x[i];s=s+x[i];}as=s/n;for(i=1;i<=n;i++){if (x[i]>as)p=p*x[i];}system("PAUSE");return 0;}`

Опреди што ќе се прикаже со извршување на следниот програмски сегмент.  
`#include<iostream>using namespace std;int main(){int X[20],i,n;cout<<"Внеси број на членови на низа: ";cin>>n;for(i=1;i<=n;i++){cout<<i<<"член: ";cin>>X[i];}cout<<"Членови кои се поголеми од следниот член: ";for(i=1;i<=n-1;i++){if (X[i]>X[i+1])cout<<X[i]<<" ";}system("PAUSE");return 0;}`

## 8. Историја на Македонија - Општо образование

Прашање

Од кога потекнуваат првите траги од животот на луѓето во Македонија?

## 8. Историја на Македонија - Општо образование

Прашање

Кој се смета за прв крал на Античка Македонија?

Пела станала престолнина во времето на кралот:

Кога се случила битката кај Херонеја?

Од колку редови се состоела македонската фаланга?

Кога владеел кралот Александар III Македонски?

Кој бил врховен бог на Античките Македонци?

Која година Македонија станала Римска провинција?

Кога почнале да се доселуваат Словените во Македонија?

## 8. Историја на Македонија - Општо образование

Прашање

Македонските териториите населени со Словени биле наречени:

Во кој век потпаднале под византиска власт македонските славинии?

Браќата Кирил и Методиј биле родени во:

Глаголицата имала:

Која година бил испратен Климент на мисионерска работа во областа Кутмичевица од страна на кнезот Борис?

Во кој град Климент формирал книжевна школа?

Каде настанало богомилското движење?

Каде била првата престолнина на царот Самоил?

Царот Самоил владеел од:

## 8. Историја на Македонија - Општо образование

Прашање

Која година било кренато востанието на чело со Петар Делјан против византиската власт?

Битката на реката Марица се одиграла на:

Која година се случила Мариовско-прилепската буна против османлиската власт?

Колку години траел отпорот на Скендер-бег против османлиската власт?

Австро-унгарскиот цар Леополд кога слушнал за востанието го прогласил Карпош за:

Кога била укината Охридската архиепископија?

Како го нарекувале водачот на ајдутите?

Кога се собирале ајдутските дружини?

Како се нарекувал владетелот на османлиската држава?

Одземените христијански деца кои станувале дел од османлиската армија биле нарекувани:

Кој ја отворил првата македонска печатница во Солун во 1838 година?

## 8. Историја на Македонија - Општо образование

Прашање

Кога започнало Разловечкото востание?

Кога започнало македонското Кресненско востание?

Кој бил избран за началник на Штабот на Кресненското востание?

Кој го предводел движењето за обнова на Охридската архиепископија на крајот на XIX век?

Каде била создадена Македонската револуционерна организација?

Кој бил главен иницијатор за формирање на Македонската револуционерна организација?

Кога се одржал Првиот конгрес на Македонската револуционерна организација?

Кој станал најпозната личност на Македонската револуционерна организација?

Каков документ бил изготвен за Македонската револуционерна организација набрзо по нејзиното основање?

Која држава најмногу се мешала во македонската револуционерна борба преку Врховниот македонски комитет?

## 8. Историја на Македонија - Општо образование

Прашање

Кој бил „претседател“ на Крушевската република?

Каде започнала Младотурската револуција?

Кој револуционер загинал на Мечкин Камен бранејќи ја Крушевската република?

Каде се одржал конгресот на кој организацијата го добила името ВМОРО (Внатрешна македоно одринска револуционерна организација)?

Кој македонски револуционер со својата чета организирале грабнување на американската мисионерка „Мис Елен Стоун“?

Кога започнала Првата балканска војна?

Во кој град имало мировна конференција по Првата балканска војна?

Кога бил склучен Букурешкиот мировен договор по Втората балканска војна?

Во чии војски биле мобилизирани Македонците во текот на Првата светска војна?

## 8. Историја на Македонија - Општо образование

Прашање

Во рамките на која земја влегол вардарскиот дел на Македонија по Првата светска војна?

Кој ја предводел македонската колонија во Петроград која се залагала за независна и обединета Македонија во една Балканска Федеративна Демократска Република?

Кога ја отпечатил збирката на македонски јазик „Бели мугри“ поетот Кочо Рацин?

Кога бил објавен Мајскиот манифест за обединување на „левите“ и „десните“ сили на ВМРО?

Кога бил убиен Тодор Александров?

Кога бил создаден Македонскиот литературен кружок во Софија?

Која година во Грција бил отпечатен македонскиот буквар „АБЕЦЕДАР“?

Кога започнало вооруженото востание во Македонија во Втората светска војна?



## 8. Историја на Македонија - Општо образование

Прашање

Кога бил формиран првиот баталјон Мирче Ацев како поголема воена единица во Вардарска Македонија?

Кој го отворил Првото заседание на АСНОМ во манастирот Прохор Пчински?

Кој бил избран за прв претседател на Президиумот на Првото заседание на АСНОМ?

Кога се одржал референдумот за осамостојување на Република Македонија од Социјалистичка Федеративна Република Југославија?

Златна маска со која биле погребувани мртвите од кралските семејства е најдена во Микена и во:

На кој начин Филип II успеал да загосподари со целиот хеленски свет?

Какви биле односите помеѓу Филип II и Хелените по битката кај Хајронеја во 338 г. ?

Како се однесувал Александар III кон потчинетите народи ?

## 8. Историја на Македонија - Општо образование

Прашање

Како била поделена Македонија по римските освојувања?

Што се случило со поголем дел од староседелското население во Македонија со доаѓањето на Словените?

**Зошто Македонија се смета за татковина на словенската писменост и култура?**

**Кој манастир станал средиште на Охридската книжевна школа?**

**Што е основа на богомилското учење?**

**На кој начин била организирана македонската држава во времето на царот Самоил?**

**Зошто легендарниот крал Марко прифатил вазален однос кон османлиската држава?**

**Како доаѓале до имоти спахиите во османлиската држава?**

## 8. Историја на Македонија - Општо образование

Прашање

**Кои две познати жени војвотки учествувале во вооружениот отпор против османлиската власт во Македонија?**

**Зошто бил значаен отпорот на Ѓерѓ Кастриот-Скендербег?**

**Зошто била укината Охридската архиепископија во 1767 година?**

**Зошто доаѓа до развој на занаетството и трговијата во македонските градови на крајот на XVIII век?**

Зошто за време на преродбата се печателе учебници и се отворале училишта на народен македонски јазик?

**Зошто Македонците учествувале во востанијата на соседните народи против османлиската власт?**

## 8. Историја на Македонија - Општо образование

Прашање

**Што било предвидено со Берлинскиот договор по руско-турската војна 1877-1878 година?**

**Зошто Разловечкото востание не успеало?**

**По успешниот тек на Кресненското востание востаниците организирале:**

**За наметнување на своето политичко, духовно и културно влијание во Македонија во XIX век делувале пропагандите на:**

**Кој можел да членува во македонската револуционерна организација?**

**Што сакала да постигне со испраќањето на меморандум македонската колонија во Петроград до Лондонската мировна конференција?**

## 8. Историја на Македонија - Општо образование

Прашање

**Што се случувало со Македонија по Првата светска војна?**

**Каква била положбата на Македонците во Кралството СХС, Грција и Бугарија помеѓу двете светски војни?**

**Каква била положбата на Македонците во Бугарија меѓу двете светски војни?**

Што направила Грција за менување на етничкиот состав на населението во егејскиот дел на Македонија меѓу двете светски војни?

**Кои цели биле изнесени во Манифестот објавен од ГШ на НОВ и Партизанските одреди на Македонија во октомври 1943 година?**

**На кој начин било прогласено создавањето на македонска држава по Втората светска војна?**

## 8. Историја на Македонија - Општо образование

Прашање

**Која замисла започнал да ја остварува Александар III при освојувањето на земји и територии?**

**Зошто се распаднала државата на Александар III Македонски по неговата смрт?**

**Зошто се појавило богомилското движење?**

**До кој град најсеверно во Далмација стигнал при освојувањата Самоил?**

## 8. Историја на Македонија - Општо образование

Прашање

**Каква била положбата на Охридската архиепископија во Османската Империја во однос на плаќањето на даноците?**

**Зошто биле организирани вооружените и невооружените отпори во Македонија?**

**Како била организирана власта во Крушевската република?**

**Што се случило со ВМРО по Рилскиот конгрес одржан во октомври 1905 година?**

**Кои основни човекови права со декларацијата усвоена на Првото заседание на АСНОМ на граѓаните на Македонија им биле гарантирани?**

**Какви политички промени се случиле во Македонија од нејзиното осамостојување?**

## 8. Историја на Македонија - Општо образование

Прашање

Кога владеел кралот Пердика I?

Македонскиот крал Аминта I извесно време морал да ја признава власта на:

Во битката кај Хајронеја Филип ги победил:

Мајката на Александар Македонски се викала:

Западно од Солун се населило словенското племе:

Во кое место бил царскиот двор на Самоил во Преспа?

Јован Владислав бил син на:

Која година започнало востанието на Ѓорѓи Војтех?

Која година започнало Карпошевото востание?

Која година граѓаните на Охрид испратиле колективна молба до Цариградската патријаршија да биде сменет грчкиот митрополит Мелетиј?

Која година била формирана Македонската револуционерна организација?



## 8. Историја на Македонија - Општо образование

Прашање

На чело на Централниот комитет на Македонската револуционерна организација бил избран:

Гоце Делчев се родил во:

Јане Сандански бил убиен на:

Стихозбирката „Бели мугри“ Кочо Рацин ја отпечатил во:

Која година грчката држава со закон ги променила топонимите во егејскиот дел на Македонија?

На Првото заседание на АСНОМ учествувале:

Првиот Устав на Народна Република Македонија бил донесен во:

На кој начин Филип II постигнал успеси во зацврстувањето на државата?

Зошто е важно постоењето на Охридската книжевна школа?

На кој начин се засилил отпорот на населението во Македонија против византиското власт во XI век?

## 8. Историја на Македонија - Општо образование

Прашање

Кој настан претставува почеток на трајното потпаѓање на териториите на Албанија под османлиска власт?

Зошто било големо значењето на првите црковно-училишни оштини?

Зошто Гоце Делчев не се согласувал со одлука за кревање на востание?

Што се случило со Македонците во Грција по Првата светска војна?

На почетокот на октомври 1941 година биле формирани партизански одреди во:

Која била основната економска реформа во Република Македонија по осамостојувањето?

Зошто дошло до влошување на односите меѓу Македонија и Рим во времето на Филип V?

Каква била улогата на околинските револуционерни чети формирани од ТМОРО?

## 8. Историја на Македонија - Општо образование

Прашање

Каква била положбата на Македонците во егејскиот дел на Македонија во периодот на дикатурата на Јоанис Метаксас?

Преродбата во Македонија започнала со дејноста на:

Во периодот од 1941 до 1944 год. во градот Скопје биле стационирани војските на:

Пролетта 1916 год. бил отворен Македонскиот фронт откако на страната на Централните сили се приклучила:

Која година се одиграла битка на Беласица?

Најголем противник на царот Самуил бил византискиот владетел:

Кога се одржани првите парламентарни избори во Република Македонија?

## 8. Историја на Македонија - Општо образование

Прашање

За претседател на Привремената влада на Крушевската Република бил назначен:

Што се случило по смртта на Кирил и Методиј со нивните ученици кои биле во Велика Моравија?

Брзиот пораз на Карпошевото востание настанал поради:

Организатор и идеен водач на Разловечкото востание бил:

По битката кај Херонеја Филип II свикал конгрес во:

Првиот устав на самостојна и независна Република Македонија го донело Собранието на Република Македонија на:

Незадоволството од решенијата на Берлинскиот конгрес било една од причините во Македонија да се организира востание познато како:

## 8. Историја на Македонија - Општо образование

Прашање

Во времето на кралот Архелај престолнина на државата станал градот:

Првиот Конгрес на МРО бил одржан во:

Кнезот Борис го испратил Климент во Кутмичевица:

Што значи поимот *склавинии*?

Главното светилиште на античките Македонци се наоѓало во:

Најголем противник на македонскиот крал Филип II бил водачот на демократите во Атина:

Група македонски интелектуалци кои ги организирале солунските атентати познати се под името:

## 8. Историја на Македонија - Општо образование

Прашање

Мировниот договор потпишан со Римјаните по поразот кај Киноскефале му овозможил на македонскиот крал Филип V:

Првата победа во борбата со персиската војска Александар III ја извојувал кај:

Која од хеленските држави не учествувала на Општохеленскиот конгрес во Коринт свикан од страна на Филип II?

Последниот македонски крал кој бил поразен од Римјаните во битката кај Пидна бил:

По доселувањето во Македонија словенските племиња неуспешно се обидувале да го освојат градот:

## 8. Историја на Македонија - Општо образование

Прашање

Распаѓањето на Македонската држава по смртта на Александар III било предизвикано поради:

Првата балканска војна завршила со мирот потпишан во:

Дејноста на Кирил и Методиј има општословенско значење затоа што:

Филип II ја вовел монетата:

Кога владеел македонскиот крал Архелај I?

Во востанието организирано од Ѓорѓи Војтех за цар бил прогласен:

## 8. Историја на Македонија - Општо образование

Прашање

Што му предале египетските свештеници на Александар III при влезот во Мемфис?

По барање на кнезот Ростислав, браќата Кирил и Методиј заминале на мисија во:

Која била целта на востанието на Ѓорѓи Војтех?

Филип II ја покорил Атина по битката кај:

По наредба на генералот Пиколомини австриската војска го запалила градот:

Кој биле причините за Првата римско-македонска војна?



## 8. Историја на Македонија - Општо образование

Прашање

Поради што била организирана Прилепско-мариовската буна?

По освојувањето на Египет, Александар III Македонски изградил:

Еден од главните постулати на богомилското дуалистичко учење бил:

Првиот устав на Македонската револуционерна организација го изработил:

Против што биле богомилите во своето делување?

Приврзаниците на младотурското движење се залагале за промени во османлиската држава од кои најзначајна е:

## 8. Историја на Македонија - Општо образование

Прашање

Со решенијата на Париската мировна конференција во 1919 год. за Македонија биле потврдени одредбите на договорот потпишан во:

Главниот штаб на НОВ и ПОМ го организирал февруарскиот поход со цел:

Една од причините за неуспех на Кресненското и Илинденското востание била:

Заедничка карактеристика на Првата и Втората балканска војна е тоа што:

Првата словенска азбука создадена од браќата Кирил и Методиј е позната како:

Првата мисија на Кирил и Методиј е позната под името:

По смртта на Самуил македонски цар станал неговиот син:

Со терминот *тимар* се означува:

## 8. Историја на Македонија - Општо образование

Прашање

Првата поголема буна организирана во Македонија против османлиската власт е позната под името:

Што се случило со хеленските градови-држави по поразот кај Херонеја во 338 година пр.н.е.?

Која била целта на грабнувањето на мисионерката Мис Стон?

По неуспехот на Илинденското востание за надминување на проблемите во ТМОРО бил одржан конгрес во:

Младотурската револуција започнала со одметнувањето на Нијази-бег од гарнизонот во градот:

## 8. Историја на Македонија - Општо образование

Прашање

Привременото обединување на „левите“ и „десните“ македонски револуционерни сили било постигнато 1924 год. со потпишувањето на т.н. Мајски манифест во:

Подготовките за свикување на АСНОМ биле реализирани од:

Првиот роман на македонски јазик „Село зад седумте јасени“ го напишал писателот:

Теодосиј Синаитски дејствувал во Солун и е значаен затоа што во 1838 год.:

Најзначаен орган на цивилната власт на Крушевската Република бил:

За Македонија со решенијата донесени во Букурешт 1913 година било предвидено:

## 8. Историја на Македонија - Општо образование

Прашање

Со потпишувањето на Мајскиот манифест во Виена 1924 година македонските револуционерни сили:

По осамостојувањето Р. Македонија го напуштила општествениот систем познат како:

Санстефанскиот договор бил ревидиран по барање на Големите сили затоа што со неговите решенија:

**Седиштето на самостојниот феудалец Добромир Хрс било во:**

**На Првото заседание на АСНОМ била донесена одлука во врска со македонскиот јазик, која гласи:**

## 8. Историја на Македонија - Општо образование

Прашање

**За прв македонски архиепископ и поглавар на Македонската православна црква бил избран:**

**Највисок орган на ТМОРО бил:**

За време на кој настан бил убиен кралот Филип II Македонски?

## 9. Македонски јазик и литература - Општо образование

Прашање

Воведувањето на народниот јазик во широка употреба (црквата, училиштата, литературата) во втората половина од 19 век се должи на дејноста на:

Која идеја во врска со македонското јазично прашање се нагласува кон крајот на 19 и почетокот на 20 век во Македонија?

## 9. Македонски јазик и литература - Општо образование

Прашање

Автор на првата македонска граматика позната по името „Слогница речовска“, објавена во 1880 год. во Софија е учебникарот:

Кој е автор на книгата „За македонските работи“?

Најмали јазични единици со сопствено значење се:

Колку граматички категории имаат именките?

Според морфолошката класификација, кои од наведените видови зборови се менливи?

Кои именки немаат форми за множина?

Како се изразува определеноста на именките во македонскиот јазик?

Зборовите: дали, нели, ли, зарем се:

Науката што се занимава со принципите за составување разни видови речници, како и со нивното практично изработување се нарекува:

Науката што го проучува составот на зборовите на еден јазик се вика:

## 9. Македонски јазик и литература - Општо образование

Прашање

Кои два вида значења ги разликуваме кај зборовите?

Зборовите кои се застарени со својата форма или со своето значење се викаат:

Извадокот: „На дрвената масичка, во широк кристален сад, се смееше едно румено, крупно, сочно јаболко“ е дел од композицијата на делото во која тој се определува како примена на постапка на:

Литературно - научен вид во кој авторот дава опис на местата што ги посетил, а зазема и личен став во врска со тоа се вика:

Литературно-научниот вид кој, во исто време, претставува и документ, и убав збор, и откривање на човековите судбини, и проникнување во социјалните драми, се вика:

Како се вика литературно-научната творба во која авторот го опишува својот живот?

Одговори што се зборовите: секако, бездруго, навистина.

Кој збор е главен реченичен член?



## 9. Македонски јазик и литература - Општо образование

Прашање

Како се нарекуваат неменливите зборови што служат за истакнување или определување на други зборови, како и за образување на некои граматички форми?

Преминот од средновековната кон литературата на хуманизмот и ренесансата го означува:

Во „Божествената комедија“, Вергилиј и Беатриче ги симболизираат:

Што идеализира ренесансната литература?

Каков драмски вид е „Хамлет“?

На кој вид роман е пародија романот „Дон Кихот“?

Како се вика жената на која Франческо Петрарка ѝ ја посветил збирката „Канцониер“?

Каде се случува дејството во драмата „Хамлет“?

Кој е автор на „Божествена комедија“?

Кој лик е најтрезвен во делото „Тартиф“ од Молиер?

## 9. Македонски јазик и литература - Општо образование

Прашање

На која литература припаѓа творештвото на Жан Батист Поклен Молиер?

Кое од наведените дела не му припаѓа на класицизмот како правец?

Во која земја за првпат се појавил класицизмот како правец?

Кој е авторот на првата книшка на македонски народен јазик од времето на просветителството во Македонија?

Каде се издавани книгите на Јоаким Крчовски?

Кое од наведените дела не го напишал Кирил Пејчиновиќ?

Каде е издадена книгата „Утешение грешним“ од Кирил Пејчиновиќ?

Првата печатница била отворена во Солун од:

Кој ја напишал поемата „Странствувањето на Чајлд Харолд“?

Најталентираниот македонски поет од времето на преродбата, наречен „втор Хомер“ е:

Основоположник на македонската уметничка поезија е:

Кој е автор на песните: „Голапче“, „Бисера“, „На чужина“?

## 9. Македонски јазик и литература - Општо образование

Прашање

Во која година Григор Прличев добил лоров венеч за поемата „Сердарот“?

Каде и кога е издаден „Зборникот“ на Браќата Миладиновци?

Кој е автор на песната „Труд ми е името“?

Авторот на романот во стихови „Евгениј Онегин“ е:

Одреди кој македонски деец ги оформил своите ставови за македонскиот стандарден (литературен) јазик во три точки: – за основа да се земат централните говори на линијата Велес-Прилеп-Битола-Охрид; – правописот да се постави врз фонетска основа, со мали отстапки пред етимологијата; – во лексиката да се вклучат елементи од сите македонски говори.

За што се залагале лозарите во последната деценија на 19 век?

Кој македонски автор се залагал за оформување на литературен јазик врз македонско-бугарска основа и своите најголеми дела ги превел на овој своевиден словенски есперанто?

Кога и каде е издадена книгата „За македонските работи“?

Во која статија од книгата „За македонските работи“ Мисирков ги дал основните принципи врз кои би се поткрепувал македонскиот литературен јазик?

## 9. Македонски јазик и литература - Општо образование

Прашање

Зборовите: темнина – мрак се:

Толковниот речник на еден јазик е:

Каква морфема е наставката?

Определи кој збор е изведен со формообразувачка морфема.

Која именка е апстрактна, во множина и е членувана?

Честички со кои се образуваат сложени глаголски форми се:

Кој збор означува точна бројност?

Формите за директен предмет од заменката тие се:

Формите за директен предмет од заменката ние се:

Зборовите: читан, пишуван, според својата глаголска форма се:

Според морфолошката класификација на зборовите, видовите зборови: именки, заменки, придавки, броеви и глаголи се:

## 9. Македонски јазик и литература - Општо образование

Прашање

Кои од наведените зборови се сврзници?

Кој глагол е несвршен?

Зборовите: солитер , печатач, конектирање се:

Зборовите: небеса, упокоение, миропомазание, трпеза, утешение се:

Определи која е целта на правописните (ортографски) речници.

Зборовите: филцан, сарма, баклава се:

Според што е направена поделбата на лексиката на разговорна, книжна и експресивна (поетска)?

Врз основа на тоа како се обработува зборовната единица, односно која е основната цел на речникот, се izdelуваат два типа речници и тоа:

Зборовите: утро - вечер се:

Биографијата и автобиографијата стојат во однос како:

## 9. Македонски јазик и литература - Општо образование

Прашање

Во веста: „Вчера, во раните утрински часови, се случи тешка сообраќајна несреќа во која едно лице го изгуби својот живот“, недостасува:

Во поканата: „Ве покануваме да присуствувате на прославата организирана во чест на македонскиот револуционер Гоце Делчев, што ќе се одржи во холот на училиштето“, недостасува:

Одговори каков вид форма за изразување претставува рефератот.

Во кое дело одмаздата е централен мотив?

Ако јазикот на Санчо Панса е полн со народни поговорки, со што е полн јазикот на Дон Кихот?

Што на Хамлет му задава најголема болка?

Смешниот рицар со тажен лик Дон Кихот, од најпознатото дело на Сервантес, има човек кој е негов верен придружник и се вика:

Во кој период се случува дејството во романот „Дон Кихот“?

## 9. Македонски јазик и литература - Општо образование

Прашање

Кој лирски вид е карактеристичен за структурата на делото „Канцониер“ од Петрарка?

Што критикува Молиер во комедијата „Тартиф“?

Со кои атрибути е опишан Тартиф од страна на Оргон во првиот чин од драмското дејство?

Кој лик од комедијата „Тартиф“ не е комичен?

Која способност му помогнала на Тартиф да влезе во семејството на Оргон и да се здобие со неговата доверба?

Првиот оригинален текст на македонски народен јазик во македонската литература е познат под името:

Што е основната тема во делото „Слово заради завист“ од Јоаким Крчовски?

Што критикува Кирил Пејчиновиќ во делото „Слово за празниците“?

Во предговорот кон „Утешение грешним“, особено се истакнува важноста на:

## 9. Македонски јазик и литература - Општо образование

Прашање

Кои се вредностите на драмските обиди на Џинот поради кои тој се смета за основоположник на македонската драма и театар?

Првите стихови во новата македонска литература ги запишал на својата надгробна плоча:

Почетоците на македонскиот расказ ги наоѓаме во текстот „Прошедба“ од:

За кое свое дело Григор Прличев не успеал да добие лоровен венец во Атина?

Водечка фигура на македонската преродба, учител и ментор на првата генерација македонски интелектуалци, важен собирач на македонското народно творештво и предводник во борбата против грцизмот е:

Какви се песните „Таен глас“, „Глас“, „Сам себеси“ и „Велигден“ од Рајко Жинзифов според мотивското јадро?

Ликот на Марија во поемата „Сердарот“ од Григор Прличев е олицетворение на:

Како прототип за ликот на Неда, на Прличев му послужила:

Чие писмо, добиено во Екатеринската болница, го мотивирало Константин Миладинов да ја напише песната „Т` га за југ“?



## 9. Македонски јазик и литература - Општо образование

Прашање

Кој од наведените претставници на романтизмот и преродбата во македонската литература не е собирач на народни умотворби?

Според мотивот, каква е песната „Сираче“ од Константин Миладинов?

Што сакал да пронајде Чајлд Харолд во непознатите далечни земји?

Која глаголска форма е во идно прекажано време?

Определи кој глагол е преоден.

Во реченицата: „Денес поетите делникот го презираат“, прилог е:

Во која реченица е употребена глаголска именка?

Која именка не разликува форми за трите вида множина?

Која придавка не може да се степенува?

Определи која именка е употребена во функција на атрибут во реченицата: „Сосетката Ана секој ден оди на фризер“.

Синтаксичката класификација на зборовни групи се однесува на:

## 9. Македонски јазик и литература - Општо образование

Прашање

Која глаголска форма е во прво лице множина, минато определено свршено време?

Кој збор е прилог во реченицата: „Среќната девојка тргна надесно“?

Во која од наведените реченици предлогот в/во е неправилно употребен?

Во која од наведените реченици предлогот НА е употребен со временско значење?

Кои од наведените зборови се глаголски прилози?

Во реченицата: „Двапати мери, еднаш сечи“, со заповедните форми изразуваме:

Која сложена глаголска форма ја препознаваш во реченицата: „Марко ќе одел на одмор со новиот автомобил“?

Кој збор е предлог во реченицата: „Тие живеат на третиот кат“?

## 9. Македонски јазик и литература - Општо образование

Прашање

Какви се придавките во реченицата: „Го извади сламениот шешир од главата и седна на дрвената клупа да се одмори“?

Зборовите: изгрејсонце, зајдисонце, руменило, синевина, модрина, несон припаѓаат на:

Кој збор е дијалектизам?

Одговори каков е речникот на македонскиот јазик под редакција на Блаже Конески.

Зборот адет е:

Каква лексика е употребена во реченицата: „Типот е кул“?

## 9. Македонски јазик и литература - Општо образование

### Прашање

Внимателно прочитај го извадокот и одговори на поставеното прашање.  
„...Во XIX век во Битола имало странски конзулат и разни училишта. Битола, од стара чаршија, станувала сè повеќе европски град. Сè почесто овој град го посетувале дипломати и владејачи. Во дамнешно време, во Битола, бил крунисан царот Гаврил Радомир. Кемал Ататурк се школувал во Битола за да стане војсководец, а потоа станал претседател на Турција...”

Што претставува овој текст?

... За вонредните ученици пријавувањето испити во февруарската испитна сесија 2010 година ќе започне на 1.2.2010 година, секој работен ден од 7 до 13 часот. Испитната сесија ќе започне од 20.2. 2010 година и ќе биде истакнат дополнителен распоред.Кандидатите треба да достават:- пријава со таксена марка;- уплатница за платен испит;- испитна тетратка.Место и датум:

ДиректорПрилеп, 31.1.2010

Г.

Своерачен потпис:

Одговори за каков текст станува збор.

Прочитај го внимателно дијалогот и одговори. Хамлет: „Ако се мажиш ќе ти ја дадам оваа клетва како свадбен подарок: биди невина како мраз, и чиста како снег,- нема да избегаш од клетвата. Ти реков, оди во манастир. Збогум. А ако сепак сакаш да се мажиш, омажи се за некој глупак. Умните многу добро знаат какви чудовишта вие од нив правите. Ти велам, стани калуѓерка! И тоа веднаш. Збогум.“  
Офелија:„Небески сили, исцелете го!“Поради која причина Хамлет ја отфрла Офелија?

## 9. Македонски јазик и литература - Општо образование

### Прашање

Внимателно прочитај го извадокот од романот „Дон Кихот“ и одговори на прашањето.

„...Сењор, никаде не се гледаат оние луѓе, џинови витези кои Вашата милост ги споменува. Барем јас не ги гледам, освен ако не се сите тие магии или призраци како сношните? Зошто зборуваш така? - се одгласи Дон Кихот. - Зар не го слушаш `ржењето на коњите, звукот на трубите, биењето на барабаните?

Слушам само - одговори Санчо - дека блеат овците. а така и беше, зашто веќе двете стада во меѓувреме се беа доближиле до нив. Стравот што те беше опфатил, Санчо - рече Дон Кихот - ти пречи. Дури и да гледаш и да слушаш добро, стравот ги поматува сетилата и не му дозволува на човека да ги гледа нештата онакви какви што се...”

Според имагинацијата на Дон Кихот, во извадокот, тој се бори со:

Внимателно прочитај го извадокот од драмата „Хамлет“ и одговори на прашањето.

„Да бидеш или да не бидеш ти -  
Еве во што е прашањето сега.  
Без ропот молкум да го трпиш стравот  
И сите стрели на судбата дива  
Или пак да се противставиш гневно, гневно  
Да станеш веднаш, да победиш в борба  
Или да паднеш, да умреш, да спиеш.”

Кому сака да му се одмазди Хамлет?

## 9. Македонски јазик и литература - Општо образование

### Прашање

Преку која стилска фигура Петрарка го искажал својот душевен судир и љубовно страдање во стиховите:

„Не, нема мир, ни војна, ниту враг  
се плашам в надеж, стинеам и горам;  
се влечам в прав, со облаци се борам;  
за сите туѓ, ги барам сите пак?“

Определи која стилска фигура е употребена во стиховите.

„На средина од мојот живот земен,  
вистинскиот го загубив јас пат:  
Се најдов в шума сам, сред густеж темен.“

Одговори кое чувство Петрарка го изразил во стиховите од сонетот „Со чекор бавен“:

„И чинам знае секој рид и река,  
Планините и тие магли сиви,  
За животов со самота што пека.“

## 9. Македонски јазик и литература - Општо образование

### Прашање

Внимателно прочитај ги стиховите од воведната песна од „Божествена комедија“ и одговори на прашањето.

„Да тргнам горе, чинам смелост збрав  
но, ниту надеж остана, ни сила....  
Пред Волчица, пред Пантер и пред Лав,  
пред обрачот што одеднаш ме стегна  
јас отстапив со срце полно страв.  
И в душа очај повторно ме жегна:  
Та нема ли да стасам горе - рид?“

Што симболизираат волчицата, пантерот и лавот во политичка смисла?

Прочитај го внимателно извадокот од драмата „Тартиф“ и одговори на прашањето. Тартиф: „Госпоѓо сè оди според мојот план, Јас прегледав сè во сиот апартамент, Нема жив човек! Ах, во моја сте власт... Оргон: Стојте! Запрете ја Вашата луда страст! Ова е Вашиот крај, Вашиот пад! Се правевте светец, а Вие сте гад! Со ќерка ми треба да склопите брак, А жена ми ја заведувате пак! Не верував јас во клевети и лаги, А ми ги лажевите суштествата драги; Но, нема како досега слеп да бидам - Веќе не сакам пред очи да Ве видам! Елмира: (на Тартиф) На ваква постапка морав да се решам. Против своја волја требаше да грешам. Тартиф: (на Оргон) Зар верувате? Оргон: Не матете ми ум! Да Ве нема оттука без најмал шум! “Што открива наведениот фрагмент од драмата?

Најнискиот литературен жанр во теоријата на класицизмот е:

## 9. Македонски јазик и литература - Општо образование

### Прашање

Внимателно прочитај го извадокот од предговорот кон „Утешение грешним“ и одговори на прашањето.

„Како непрестано ревност имајат да помогнат на православните христијани, едни учители со поучение, друзи милостиви со помошт, таквија чловеци, истина велим оти сегда сут у спомену и у похваление и всегдашно ублажение. И како тука, на овој век споменот им ест вечен, тако и Господ наредуе им венци неотсипаниј и сут наследници во царство небесное.“

За што пишува Теодосиј Синаитски во извадокот?

Внимателно прочитај го извадокот од „Слово заради завист“ од Јоаким Крчовски и одговори на прашањето.

„Первиј согрешил на небеси денница со завист и фодуллук. Така и Адам у рај што му заповедал Бог не послушал и отпаднал од Бога. А по Адама и Каин испаднал сос завист. Ама тие первиј грехове излегле от дјавола што бил денница. Адама и Каина тој ги научил на зло. От завист помрачил се и потемнел, што бил глава на ангелите, первиј над серафимите, најхубава денница што утро изгрева и сијае. Прво видел неизреченаја хубавина што е колку три селнца светлост Божествена, паднал у завист, пак си подигнал срцето на гордост, на фодуллук, па сакал да биде Бог...“

Според извадокот, каде најпрво се јавила зависта?



## 9. Македонски јазик и литература - Општо образование

### Прашање

Која особина на Онегин ја откриваме во стиховите:

„Евгениј беше ученик мал.  
А талент животот му дал:  
да биде краток кога збори,  
да спомене тој патем се,  
и како сезнајко да е...?“

Кои белези не се одлика на романтизмот како литературен правец?

## 9. Македонски јазик и литература - Општо образование

### Прашање

Внимателно прочитај го извадокот од комедијата „Тартиф“ и одговори на поставеното барање.

Оргон:

„Напротив, ќе се сретнувате со неа.  
Бесот на сите ќе ме радува мене,  
бидете со неа во секое време.  
И за да ги разгневам, овој час,  
за мој наследник Ве прогласувам Вас.  
Како пријател мој и зет Вас Ве ценам  
повеќе отколку мајка, деца, жена.  
Прифатете го мојот предлог, Ве молам!“

Тартиф:

„Го прифаќам, штом е тоа божја волја!

Оргон:

А сега да Ви дадам и писмен акт,  
нека пукнат другите од овој факт!“

Каков однос искажува Оргон кон Тартиф?

Прочитај го извадокот од „Тартиф“ и одговори која особина на Тартиф ја открива Клеант. „... Од таквите редум побожници лажниСо погана душа и прикриен лик-.....Сите тие луѓе со невиден жарПо пат божји врват за свој сопствен ќар, милост божја просат тие секој ден, А живеат в дворци, на порокот в плен...“

## 9. Македонски јазик и литература - Општо образование

### Прашање

Според извадокот, како е окарактеризиран ликот на Оргон?

Оргон:

„ ... Таков човек нема во нашиот крај.  
Кога го слушате спокој ве обзема,  
За него светот е чад што ќе го снема.  
Јас станувам сосем друг кога го слушам,  
Од сите зла ја чисти мојата душа;  
ме ослободува од лагата земна.  
И да ми умрат брат, деца, мајка, жена,  
веќе нема тажен глас да испуштам.“

## 9. Македонски јазик и литература - Општо образование

### Прашање

Прочитај го внимателно извадокот од делото „Тартиф“ од Жан Батист Молиер и одговори на поставеното прашање.

Тартиф:

„Госпоѓо, сè оди според мојот план,  
Јас прегледав сèво сиот апартман,  
Нема жив човек! Ах, во моја сте власт...“

Оргон:

„Стојте! Запрете ја вашата луда страст!  
Ова е вашиот крај, вашиот пад!  
Се правевте светец, а вие сте гад!  
Со ќерка ми треба да склопите брак,  
А жена ми ја заведувате пак!  
Не верував јас во клевети и лаги,  
А ми ги лажевте суштествата драги;  
Но нема како досега слеп да бидам –  
Веќе не сакам пред очи да ве видам!“

Што открива наведениот извадок од драмата?

Прочитај го текстот и одговори на прашањето:

„Ние сме луѓе чија страст, колку да е сјајна,  
засолната стои и си останува тајна;  
грижата за угледот наш што тешко се ствара  
на саканата мила за се и одговара;  
таа која нам срце ни дала  
има сласт без страв, љубов без скандал.“  
Кои особини на Тартиф ги согледуваш од наведените стихови?

## 9. Македонски јазик и литература - Општо образование

### Прашање

Значаен настан во утврдувањето и истакнувањето на македонскиот национален и културен идентитет е:

Прочитај го извадокот од поемата „Сердарот“ од Григор Прличев и одговори со која стилска фигура авторот ја предал експозицијата на поемата. „Дал град житородни полињата ги беше фатил рој од скакулци се вдал? Дал султанот арачлии предвреме беше пратилда збира арач лут без жал? Ни град полињата житородни ги беше фатилни рој од скакулци се вдал, ни султанот арачлии предвреме беше пратилда збира арач лут без жал!“

Прочитај ја третата строфа од песната „Т'га за југ“ од Константин Миладинов и одговори кое доживување го искажува во строфата.

„Овде је мрачно, и мрак м'обвива;  
и темна м'гла земја покрива;  
мразој и снегој, и пепелници,  
силни ветришча, и вијулици,  
околу м'гли и мразој земни,  
а в гр'ди студој, и мисли темни.“

## 9. Македонски јазик и литература - Општо образование

### Прашање

Внимателно прочитај ги стиховите од песната „Т'га за југ“ од Константин Миладинов и одговори на прашањето.

„Овде је мрачно и мрак м' обвива покрива; мразој и снегој, и пепелници, вијулици; околу м'гли и мразој земни, мисли темни.	и темна м'гла земја силни ветришча и а в гр'ди студој и
..... и с'нце светло зајдвит в гората; сила со с'та раскош ги растурила: белеит и си од ветар сино темнеит; планина, сегде божева је хубавина.“	Тамо зората греит душата тамо дарбите - природна бистро езеро гледаш поле, погледниш или

Која стилска фигура ја употребил авторот за да ги спротивстави убавините на својата земја со студената Москва?

Внимателно прочитај го извадокот од поемата „Сердарот“ од Григор Прличев и одговори на прашањето.

„Се надевав, писна, ој Кузмане, дека  
како младоженец в зора  
девојките ќе ми те облечат; тука ќе екнат  
весели свадбени ора.....  
Но, место да чуеш ти радосна свадбена песна -  
тажачка слушаш да пекам.  
И наместо одаја брачна, ох - јамата тесна  
бездушно тебе те чека!“

Што е прикажано во наведениот извадок?

## 9. Македонски јазик и литература - Општо образование

### Прашање

Внимателно прочитај ги извадоците и одговори на прашањето.

„Далеч од баштина, далеч од роднини,  
не в чужда за мене земља,  
В полјани кичести, зелени долини,  
Самичак в планина шетам ја...  
И јадни мисли мене борат  
И мене стават, то студено то жешко.“  
( Рајко жинзифов „Глас“)

„Орелски крилја как да си метнех и в наши ст`рни да си  
прелетнех! На наши места ја да си идам, да видам Стамбол,  
Кукуш да видам; да видам дали с`нце и тамо мрачно угревјат,  
како и вамо.“  
(Константин Миладинов „Г'га за југ“)

Кој е заедничкиот мотив во овие две песни?

Внимателно прочитај го извадокот од расказот „Прошедба“ од Рајко Жинзифов и одговори на прашањето.

„Тој час донесоха две перници в`лнени ткаени дома и нап`лнети сос слама;  
свиха ги на две, че ми бехме облечени по последната мода, т.е. по френски:  
в бели панталони, бел сјуртук, бел копринен вратник, ниско фесче мецидие,  
накитени, напомадени...кога ми седнахме, малките дечиња хванаха да се  
смејат, че нас тесните панталони не пуштаха да седнеме свободно...“

Што критикува авторот во наведениот фрагмент?

Како македонските писатели го решавале прашањето за јазикот во нивните литературни дела на крајот на 19 и почетокот на 20 век?

## 9. Македонски јазик и литература - Општо образование

Прашање

Кој е автор на букварот со наслов „Началное учение со молитви утренија“ („Буквар со утрински молитви“)?

Според Мисирков, правописот на македонскиот јазик треба да се базира на:

Делот од науката за јазикот што ги проучува формите на зборовите, правилата за нивното градење и нивните граматички значења се нарекува:

Што се збороформи?

Колку граматички категории се разликуваат кај придавките?

Според морфолошката класификација, кои од наведените видови зборови се неменливи?

Зборовите со кои се означуваат суштества, предмети, појави и поими се викаат:

Колку вида множина се разликуваат кај именките?



## 9. Македонски јазик и литература - Општо образование

Прашање

Кој вид збор ги има истите граматички белези како и именката до која стои?

Кои зборови се полнозначни?

Според составот, која глаголска форма е проста?

Кои глаголски форми се сложени?

Како се викаат службените зборови што ги употребуваме за поврзување одделни зборови во рамките на една реченица или реченици во една сложена реченица?

Зборовите со кои го изразуваме личниот однос спрема она што го соопштуваме се викаат:

Сложената глаголска форма со која се означува дејство што се случило пред друго дејство во минатото се вика:

Што е полисемија?

Под чија редакција е издаден Речникот на македонскиот јазик?

## 9. Македонски јазик и литература - Општо образование

### Прашање

Зборовите кои се слични по изговор или пишување, а различни по значење се викаат:

Книга во која, по азбучен или некој друг ред, се собрани, подредени и протолкувани зборовите во еден јазик се вика:

Како се вика литературно-научната творба во која се даваат податоци за животот на некоја личност која има посебни заслуги за народот од чии редови произлегува?

Писмена или усна форма на практично-професионална комуникација со која информираме некого за неговото присуство на некаква манифестација (прослава, изложба, спортски натпревар, литературно читање и сл.) се вика:

## 9. Македонски јазик и литература - Општо образование

Прашање

Форма на комуникација преку која се изнесуваат настани во кои раскажувачот директно учествувал или бил очевидец, или раскажува за сопствени доживувања се вика:

Како се вика литературно-научната творба во која се обработуваат актуелни прашања од областа на науката, литературата, уметноста, од општествениот и политичкиот живот?

Од колку дела е составена „Божествената комедија“?

Кој од наведените писатели е претставник на ренесансната литература во Италија?

Кој е автор на романот „Дон Кихот“?

Во кое дело Данте ја воспееал историјата на својата платонска љубов спрема Беатриче?

## 9. Македонски јазик и литература - Општо образование

Прашање

Кои се главни ликови во романот „Дон Кихот“?

Кој лик во ренесансната литература си го поставува прашањето „Да се биде или не“?

На кое дело не е автор Шекспир?

Кое дело не ѝ припаѓа на ренесансната литература?

Кое лицемерие го разоткрива Молиер во комедијата „Тартиф“?

Врз што се темели класицизмот како правец во литературата?

Кој е автор на комедијата „Тартиф“?

На кој правец во литературата му припаѓаат делата на Молиер, Лафонтен и Корнеј?

Со што не е поврзана појавата на просветителството во Македонија?

Каде е издадена книгата „Огледало“ на Кирил Пејчиновиќ?

Кое од наведените дела не го напишал Јоаким Крчовски?

## 9. Македонски јазик и литература - Општо образование

Прашање

Која е главната вредност во делата на Крчовски и Пејчиновиќ?

Кои се првите стихови на народен јазик во македонската литература?

Од кое дело се ликовите Татјана, Ленски и Олга?

Кој правец во литературата се одликува со бегање од стварноста, култ кон минатото и „светска тага“?

Кој е автор на расказот „Прошедба“?

Кој период од македонската литература се одликува со борбата за употреба на македонскиот јазик во училиштата и со собирање и издавање на народното творештво?

Кој е автор на песните: „Бессоница“, „Глас“, „Гусљар в собор“?

Кои се најпознатите собирачи на македонското народно творештво во времето на романтизмот и културната преродба во Македонија?

Кој го издал „Зборникот“ на Браќата Миладиновци?

Каде умреле браќата Димитар и Константин Миладинови?

## 9. Македонски јазик и литература - Општо образование

Прашање

Каде се наоѓал Константин Миладинов додека ја пишувал песната „Т`га за југ“?

Кој македонски преродбеник е добитник на лоровиот венец за најдобра поема напишна на грчки јазик?

Од што се инспирирал Григор Прличев за да ја напише поемата „Сердарот“?

На кое наречје сакале да го засноваат литературниот јазик Пулевски, Зографски и Шапкарев?

Кој е најистакнатиот претставник на македонистите кој се залагал за оформување на македонскиот литературен јазик врз западномакедонските говори?

Која основна функција ја задржал црковнословенскиот јазик во периодот од XII до XVIII век?

Кои од наведените именки имаат само множински форми?

Кои заменки се лично-предметни?

## 9. Македонски јазик и литература - Општо образование

Прашање

Која именка е конкретна, во множина и определена?

Со која категорија не се карактеризира глаголот?

Кој збор означува приближна бројност?

Формите за индиректен предмет од заменката јас се:

Формите за индиректен предмет од заменките тој и тоа се:

Зборовите пеејќи, играјќи се:

Според морфолошката класификација на зборовите, видовите зборови извици, честички, сврзници, предлози се:

Одговори какви се глаголите во реченицата „Петре постојано потстанува и седнува на клупата“.

Кои од наведените глаголски форми немаат основен вокал?

Од што се изведени именките: лутина, сивило, старост?

Првиот збор во прашалната реченица: „Колку пари ти требаат?“ претставува:

Со сегашно време се именува дејство кое се врши:

## 9. Македонски јазик и литература - Општо образование

Прашање

Зборовите кит (морско животно) и кит (средство за китирање) се:

Преводните речници се:

Зборовите: кмет, цар, падар се:

На која лексика ѝ припаѓаат зборовите: печатач, монитор, скенер?

Опредили која е целта на правоговорните (ортоепски) речници.

Како се делат зборовите според процесот на обновувањето на лексичкиот фонд?

Зборовите фабрикат – фабрикант се:

Кои речници го објаснуваат потеклото, коренот на зборот и неговиот развој?

Кои зборовни двојки се антоними?

Кога преку соопштението се изнесува ставот на владата или на одредена политичка партија за конкретните односи во светот, тогаш тоа има значајна улога за:

Со што се запознава читателот, читајќи ја репортажата?



## 9. Македонски јазик и литература - Општо образование

Прашање

Во соопштението „ КУД ‚Китка‘ од Драчево ќе одржи концерт во Центарот за култура во нашиот град, во големата сала“ недостасува:

Веста, како форма на практично-професионална комуникација треба да биде:

Фабулата на делото Хамлет е изградена врз основа на:

На кој јазик се пишувани песните од „Канцониерот“ на Франческо Петрарка?

„Животот на госпоѓа Лаура“ и „Смртта на госпоѓа Лаура“ се:

Дон Кихот се замислувал како силен и храбар витез, а всушност бил:

Кога Дон Кихот станал свесен дека бил жртва на заблуда?

Зошто Хамлет навлекува маска на лудак?

Кој му го попречил патот на Данте при неговото излегување од шумата?

Симболиката на кои броеви е искористена при создавањето на „Божествена комедија“ од Данте Алигиери?

## 9. Македонски јазик и литература - Општо образование

Прашање

Што претставува непреодната шума во воведната песна од „Божествената комедија“?

Во комедијата „Тартиф“ се претставува конфликтот во семејството на Оргон поради:

Кој е идеолог и теоретичар на францускиот класицизам?

Според која теорија на класицизмот била задолжителна строгата запазеност на единството на времето, местото и дејството на драмата?

Кој лик во комедијата „Тартиф“ ги презема „сите конци“ во свои раце за да го реши проблемот со Тартиф?

Кој му дал повод на Молиер да ја напише комедијата „Тартиф“?

Со што е опседнат Оргон од комедијата „Тартиф“?

Каков карактер има писмената литература што се појавува во делата на Крчовски и Пејчиновиќ?

Што претставува делото „Слово за празниците“ од Кирил Пејчиновиќ?

## 9. Македонски јазик и литература - Општо образование

Прашање

Која човечка особина Јоаким Крчовски ја опишува со зборовите: „прокљатија“ и „мерскаја“?

На кој говор е напишано „Словото за зависта“ од Јоаким Крчовски?

Што е тоа што го прави човекот бесмртен, според Теодосиј Синаитски?

Што е основниот мотив во песната „Труд ми е името“ од Јордан Хаџи Константинов -Џинот?

Што сакал да истакне Пушкин преку ликот на Евгениј Онегин?

Поезијата на Константин Миладинов се одликува со :

Која поезија извршила силно влијание врз поезијата на Константин Миладинов?

Кои македонски поети од времето на романтизмот и преродбата, во својата поезија, ги сликаат убавините на татковината?

Какви се песните „Голапче“, „Бисера “ и „Желание“ од Константин Миладинов според мотивското јадро?

Кој ѝ раскажува на Неда, мајката на Кузман, за смртта на нејзиниот син?

## 9. Македонски јазик и литература - Општо образование

Прашање

Кој е централниот настан со кој се поврзани сите случувања во делото „Сердарот“?

Обраќајќи му се на „голапчето“, на кого всушност, поетот (Константин Миладинов) му ја ветува својата верност?

Кој лик од поемата „Сердарот“ е олицетворение на хероизам и добрина, јунаштво и чесност, издржливост и жестокост?

Која е идејната порака на Рајко Жинзифов во расказот „Прошедба“?

Прочитај го внимателно текстот и одговори на поставеното прашање.

1. Во македонскиот литературен јазик треба да се установат оние форми од централните говори што во најголем степен ќе ги поврзат сите наши говори...
2. Во македонскиот литературен јазик треба, во најголем степен, да се изрази неговата народна основа. Речникот на литературниот јазик да се обогатува со зборови од сите наши дијалекти...
3. Македонската азбука да биде составена од толку букви колку што има гласови во литературниот јазик. „Што претставуваат наведените точки?“

## 9. Македонски јазик и литература - Општо образование

Прашање

Што сакал да истакне Темко Попов, еден од најистакнатите претставници на лозарите, со реченицата: „И сам Исус Христос ако слезит од небото не можит да го уверит Македонецот оти тој е Б`лгарин или Србин“?

Која глаголска форма е во предминато време?

Кој глагол е несвршен?

Кој збор е прилог за место?

Во која реченица е употребена глаголска придавка?

Кои именки имаат форми за збирна множина?

Која придавка е степенувана во суперлатив?

Опреди која именка е употребена во функција на директен предмет во реченицата: „Учителката Јана им читаше песна на учениците“.

Во која реченица е употребен можен начин?

Кој збор е показна заменка во реченицата „Јас сакам да ги купам овие чевли“?

## 9. Македонски јазик и литература - Општо образование

Прашање

Кој глагол е од е-група, а-раздел?

Што се зборовите рачиште, жениште, човечиште?

Во реченицата „Тоа е мојата златна рипка“, зборот рипка е:

На која лексика ѝ припаѓаат зборовите гора, мајка, син?

Зборовите: лингвистика, театар, математика се:

Каква лексика е употребена во реченицата „Свонезот на свончињата се разлеа по ливадите“?

Прочитај го внимателно текстот и одговори на прашањето.

„ Во 1996 година излезе од печат Речник на презимиња кај Македонците (А-Љ), а во 1996 год. Речник на топонимите во областа по сливот на реката Брегалница. Во 1992 год. излезе од печат Речник на личните имиња кај Македонците“

За каков вид речници станува збор?

## 9. Македонски јазик и литература - Општо образование

### Прашање

Внимателно прочитај го извадокот и одговори на поставеното прашање.  
„...Сум син на Ставра Прличев и Марија Ѓокова, родители доста бедни, но чесни. Роден сум во Охрид, на 18 јануари 1830 според едни, 1831 според други, затоа и ретко споминам дати.....По малку умре татко ми и ме остави шестмесечно младенче заедно со други двајца браќа и една сестра, сите маловозрасни. Дедо беше земјоделец, висок и белобрад старец, но трудољубив.....Бев одвај четиригодишен, кога дедо ми достави еден грчки буквар по најстара метода и ме изучи на имињата на буквите.“

Што претставува овој текст?

## 9. Македонски јазик и литература - Општо образование

### Прашање

Внимателно прочитај го извадокот и одговори на поставеното прашање.

„Кога ќе се спомене манастир и монаштво првата асоцијација што паѓа на ум и што во православниот свет е поим за подвижнички начин на живот е третиот крак од полуостровот Халкидики, наречен Атос или Света Гора. Ова место е познато уште и како градина на Пресвета Богородица, зашто, како што вели преданието, Богомајката, откако по едно патување низ бура се засолнила на бреговите на оваа земја, ја побарала од својот син за свое наследство. Благословен и постојано заштитиуван од Светата Дева, овој дел од полуостровот низ вековите се развил во вистински монашки центар со дваесет големи манастири. За секој православен е сон да ја посети оваа земја на Исусовата молитва и на светите старци. Па така, со благословот Божји, неколку православни верници од Македонија, го посетивме овој чудесен и пресвет дом на црнорисците. Очекувањето на бродот во пристаништето во градот Уранополис, што се наоѓа на границата меѓу светот и оние што ,умреа за светот', претставува само дополнителен товар за духот што нестрпливо посакува веќе да е во светата населба. Првиот поглед од палубата само ја зголемува тензијата, зашто човек, вртејќи се на сите страни низ морската шир, се обидува што побрзо да го пронајде меѓу неколкуте далечни брегови, токму оној каде што сиот живот посакува да отиде. Набрзо, секој верник ги закопува своите очи на вистинската силуета и не престанува да ја повикува Богородица да го удостои да стигне до таму.“

За каков литературно-научен вид станува збор?



## 9. Македонски јазик и литература - Општо образование

### Прашање

Прочитај ги внимателно стиховите и одговори на поставеното прашање.

„ Сал чекор - два: одненадеж под ридот  
се јави пантер: шарен, стрвост полн;  
ме гледа, не ме пушта од видот...

Исплашен од сверот толку зол  
што одеднаш пред патот ми се згоди  
- си реков: да се вратам в дол.“

Извадокот е од делото:

Прочитај го внимателно извадокот од „Пеколот“ од Данте Алигиери и одговори на поставеното прашање.

„ На средина од мојот живот земен  
вистинскиот го изгубив јас пат:  
се најдов в шума сам, сред густеж темен.  
А таа шума, дива, чуден кат  
- што да речам? - во трње. В буеж сета,  
сред срце раѓа спомен, страв и лад.  
Погорчлива одвај е смртта клета!

Но, за блаженството што сум го пил,  
ќе раскажам за се што сретнав таму.“

Авторот, преку стихот, „А таа шума, дива, чуден кат“ симболично го претставува:

## 9. Македонски јазик и литература - Општо образование

### Прашање

Прочитај го извадокот од драмата „Хамлет“ од В. Шекспир и одговори на поставеното прашање.

„ Хамлет:

Да бидеш или да не бидеш ти –

Еве во што е прашањето сега.

Без ропот, молкум да го трпиш стравот

И сите стрели на судбината дива

Или пак да се противставиш гневно,

Да станеш веднаш, да победиш во борба

Или да паднеш, да умреш, да спиеш.

Да знаеш дека ќе ја скинеш така

Нишката на безброј лишувања, маки

На ова тело. Тоа ли е целта?

Да умреш. Да сонуваш. Да спиеш.“

Темата на наведениот извадок е:

Внимателно прочитај го извадокот од „Канцониерот“ од Франческо Петрарка и одговори како поетот ја претставува љубовта кон Лаура.

„...Без очи гледам; нем- за болка зборам.

Јас барам спас - да загинам со жед!

Се мразам , го сакам сиот свет.

Ме храни бол. Од плачот насмев творам!

Ти, смрт!...Ти живот!...Иста беда си!

За ова, Жено виновна си Ти!“

## 9. Македонски јазик и литература - Општо образование

### Прашање

Внимателно прочитај го извадокот од романот „Дон Кихот“ и одговори на прашањето. „Мудроста бара да се чуваш за утрешниот ден и да не ризикуваш сè наеднаш....Сињор, тагата не е создадена за животните, туку за луѓето, но, ако луѓето премногу ѝ се предадат, стануваат животни.“ Што претставуваат овие зборови кои Санчо Панса му ги кажува на Дон Кихот?

Прочитај го внимателно извадокот од песната „Не, нема мир...“ од Петрарка и одговори на прашањето.

„Без очи гледам, нем за болки зборам,  
јас барам спас за гибел и за жед,  
се мразам сам, го сакам сиот свет“.

Како се чувствува Петрарка во однос на Лаура според овие стихови?

## 9. Македонски јазик и литература - Општо образование

### Прашање

Внимателно прочитај го извадокот од комедијата „Тартиф“ од Молиер и одговори на прашањето.

„ Тартиф:  
Љубовта кон Бога што нè гори в души  
љубовта кон жена нема да ја гуши.  
И сè што е драго нè мами со сила,  
а верата в Бога нам нè дава крила“

Зошто Тартиф, кога ѝ предлага на Елмира да ѝ биде љубовник, мисли дека никој нема да се посомнева во нив?

Која стилска фигура е употребена во извадокот од комедијата „Тартиф“?

„ Битието ваше ко Господ е сјајно,  
и чувствата кон вас се силни и трајни.  
Господ вам ви дарил најпрекрасен дар -  
во плен ваш да паѓа и младич и стар;

личотата ваша ја гледам, ко рај

та творецот вишен го славам без крај“

Што претставил Молиер во комедијата „Тартиф“?

## 9. Македонски јазик и литература - Општо образование

### Прашање

Внимателно прочитај го извадокот од предговорот кон „Утешение грешним“ и одговори на прашањето.

„Еве клуч што отворует сердцето ваше, не клуч от злато или от сребро, клуч от железо и чилик, оти среброт и златото ест меко и се вие скоро, но железото со чилик не се вие. Кога да ет отворот сиреч откључот от злато или от сребро, та да не може ковчегот сиреч сердцето мое да отвори, что ми ест таков отвор (кључ). Нека ест от чилик и железо, та да отвори ковчегот“.

За што се застапува Теодосиј Синаитски во предговорот кога говори користејќи ја симболиката на клучот?

Внимателно прочитај го извадокот од „Слово за празниците“ од Кирил Пејчиновиќ и одговори на прашањето.

„Једни гледам ставиле на глава на имање лук, једни зеле од волка зуб, други и сердцето, па го носат како свјатиња. И, сиромаше! Што тоа неверствие во тебе? Што тоа многобожие во тебе? Што тоа безумие на страст? Вук да можел да чува чоека, свакиј во куќата по еден жив ќе ранеше, да го чува.“

Што критикува Кирил Пејчиновиќ во овој извадок?

## 9. Македонски јазик и литература - Општо образование

### Прашање

Внимателно прочитај го извадокот од песната „Труд ми е името“ од Јордан Хаџи Константинов Џинот и одговори на прашањето.

„Најпаче се трудим,  
труд да ме зовут судим.  
Труд ште вас научи  
и ште вас обучи  
блажено да ступате  
добро да творите.“

На што укажува авторот во овие стихови?

Внимателно прочитај го извадокот од романот „Евгениј Онегин“ од Александар Сергеевич Пушкин и одговори на поставеното прашање.

„ А сакаше да гледа како  
се раѓа тивко денот злат,  
и в мечти, потпрена на балкон,  
да гледа в бледен Млечен Пат  
штом хоризонтот светлост лее,  
а ветрот - гласник утрин - вее  
и повтор нов се раѓа ден...  
Во зима, кога таинствен  
се спушта мир и светот сони  
во часот кога цари мрак  
и плиска месецот чист зрак,  
а исток сиот в мрза тони  
- ко сношти, пак разбудена,  
стануваше, возбудена.“

Што ја интересирало Татјана во детските години?

## 9. Македонски јазик и литература - Општо образование

### Прашање

Внимателно прочитај го извадокот од „Странствувањето на Чајлд Харолд“ од Бајрон и одговори на прашањето.

„О, збогум, роден крај! Ти сив  
исчезнуваш зад морска шир.  
А ветрот јачи; галеб див  
со својот пискот руши мир.  
На запад сонцето се крие  
и ширта морска губи сјај;  
се губиме по патот ние...  
О, добра ноќ, мој роден крај.“

Што претставуваат наведените стихови од „Просталната песна“ на Чајлд Харолд?

Внимателно прочитај го извадокот од „Сердарот“ од Григор Прличев и одговори на прашањето.

„ Плачовите низ селото се носеа сè уште  
и Неда црна крпа пак  
од главата си фрли, повтор косата ја пушти,  
а плачот стана толку јак.“

Неда, поради огромната жал по загубениот син Кузман:

## 9. Македонски јазик и литература - Општо образование

### Прашање

Внимателно прочитај ги стиховите од песната „Бисера“ од Константин Миладинов и одговори на прашањето.

„ Бисеро моме, Бисеро  
за кого носиш бисерот?  
За кого готвиш дарови?  
Ја дарој, бисер не сака  
тук сака мома Бисера.“

Која стилска фигура е употребена во наведените стихови?

Внимателно прочитај ги стиховите од песната „Глас“ од Рајко Жинзифов и одговори на прашањето. „Безумец, безумец, душа ти ленива-ја чух невиден и таен глас-спрегни плуг за забораветата нива, че блиска ет доба, че близок ет глас. Стани, земи остен в р'це работајти ден и ношт, сос труд, сос пот, истреби трње, исчисти троскот, изорај, бесплодна нива да дадит плод.“ Гласот на татковината го повикува поетот:

## 10. Математика - Општо образование

### Прашање

Секоја равенка со променливи  $x$  и  $y$ , која може да се трансформира во видот  $ax + by = c$ , каде  $a, b, c \in \mathbb{R}$  и или  $a \neq 0$  се вика:  $b \neq 0$

Секоја подредена двојка реални броеви  $(x_0, y_0)$ , за која равенката  $ax + by = c$  преминува во вистински исказ  $ax_0 + by_0 = c$  се вика:



## 10. Математика - Општо образование

Прашање

За линеарната функција  $3x - 4y = -9$  коефициенти се:

Две равенки се еквивалентни во дадена област  $D$ , ако и само ако:

Два система со две линеарни равенки со две променливи се еквивалентни во дадена област на дефинираноста  $D$ , ако и само ако:

Која од равенките е линеарна равенка со две променливи?

Едно решение на равенката  $x - y = 3$  е подредениот пар:

Која од дадените равенки е линеарна равенка со две непознати?

Општиот вид на систем од две линеарни равенки со две непознати е:

Кој од системите е систем од две линеарни равенки со две непознати?

Графикот на линеарна функција со две променливи е:

Ана системот  $\begin{cases} 2x + y = 1 \\ 3x + y = 9 \end{cases}$  го решавала со метод на спротивни коефициенти. Како таа решавала со метод на спротивни коефициенти?

## 10. Математика - Општо образование

Прашање

Решение на системот од линеарни равенки  $\begin{cases} 4x + y = 9 \\ 3x - 2y = 4 \end{cases}$  е:

Со еквивалентна трансформација, равенката  $2x + 3y - 1 = 4y - x - 3$  е доведена е до видот:

Графикот на линеарната равенка  $y - 2x = 4$  ја сече апциста во точка со координати:

Кои се броевите чиј збир е 162, а разликата е 28?

Подредениот пар  $(2, -1)$  е едно решение на линеарната равенка  $(5-k)x - (k+1)y = 3$  за:

За која вредност на параметарот  $k$ , равенството  $3x - ky = 4y + 3x$  преминува во идентитет:

Со еквивалентни трансформации, равенката  $5(x-3) - 2(y+1) - 10 = 0$  запишана во општ вид е:

Системот равенки  $\begin{cases} 3x - y = 2 \\ x + 2y = -1 \end{cases}$  :

Подредениот пар  $(2, -1)$  е едно решение на равенката  $(2x-3)m - y = 7-m$  за:

## 10. Математика - Општо образование

Прашање

Подредениот пар  $(2, -1)$  е решение на системот равенки:

Подредениот пар  $(1, -2)$  е решение на равенка:

Решение на системот од две линеарни равенки со две непознати

$$\begin{cases} 2x + y = 5 \\ 2x + 5y = 9 \end{cases}$$
 е подредениот пар:

Ако подредениот пар  $(2, -3)$  е решение на равенката  $(2k - 1)x + 3y = 1$  тогаш:

Системот равенки 
$$\begin{cases} (x - 2)(x + 2) - 2y = x(x - 4) \\ \frac{x}{2} - \frac{y}{3} = x \end{cases}$$
 е еквивалентен со системот:

За која вредност на параметарот  $c$  графикот на равенката  $3x + y = c$  ќе минува низ точката  $A = (-1, -2)$  ?

Графикот на функцијата определен со равенката  $y - \frac{2}{3}x = 3$ , ја сече ординатната оска во точката  $B$  со координати:

Со кои од графиците системот линеарни равенки 
$$\begin{cases} 3x - y = 1 \\ 2x + y = 4 \end{cases}$$
 е решен графички?

## 10. Математика - Општо образование

Прашање

Збирот на  $x$  и  $y$  на решението на системот линеарни равенки  $\begin{cases} 2x - 3y = 1 \\ x + 5y = 7 \end{cases}$  е:

Системот линеарни равенки  $\begin{cases} \frac{x}{4} - y = \frac{1}{2} \\ x + \frac{y}{3} = -\frac{3}{4} \end{cases}$  е еквивалентен на системот:

Равенката  $(x - 1) : (y + 1) = 1 : 2$  запишана во општ вид е:

Системот линеарни равенки  $\begin{cases} (x - 4)^2 + 2y = (x - 2)(x + 2) \\ \frac{x}{2} - \frac{y}{3} = x \end{cases}$  е еквивалентен на системот:

Општото решение на равенката  $y + 2x = 4$  е:

За која вредност на параметарот  $m$  системот равенки  $\begin{cases} -2x + my = 5 \\ 2x - 3y = 7 \end{cases}$  нема решение?

Кои од системите од две равенки со две непознати се еквивалентни?

Ако знаеме дека еден внатрешен агол на триаголник е  $64^\circ$ , а разликата на другите агли е  $28^\circ$ , тогаш аглиите на триаголникот може да ги пресметаме со решавање на системот:

## 10. Математика - Општо образование

Прашање

Множеството решенија на линеарната равенка со две непознати  $3x - y = -1$  е:

Кој од системите е општ вид на системот  $\begin{cases} \frac{x}{2} - y = -3 \\ 2x - \frac{1-y}{3} = 1 \end{cases}$  ?

Колку години има синот ако е две години постар од сестрата, а 30 години помлад од мајката и ако сите заедно имаат 70 години?

За која вредност на  $n$  системот  $\begin{cases} 2x + 6y = 10 \\ x + ny = n + 2 \end{cases}$  има бесконечно многу решенија:

Кои вредности се решение на равенката  $x^2 = 64$  ?

Нека  $a > 0$  и нека  $n \in \mathbb{N}$ . Ненегативниот број  $x$  кој што ја задоволува равенката  $x^n = a$  се вика:

Нека  $a$  е произволен реален број и нека  $n$  е произволен природен број. Изразот  $\sqrt[n]{a^n}$  е еднаков на:

Кое од тврдењата се однесува на кретење на корен?

Еден корен е во нормален вид :

## 10. Математика - Општо образование

Прашање

Симе знаел дека  $169 < x < 196$  . Што е вистинито за  $\sqrt{x}$  ?

Ако  $a$  позитивен реален број и  $m$  и  $n$  е природни броеви, тогаш  $\sqrt[n]{\sqrt[m]{a}}$  е еднакво на:

Коренот  $\sqrt{x^2}$  е еднаков на:

Коренот  $\sqrt[3]{x^3}$  е еднаков на:

Степенот  $x^{\frac{2}{3}}$  запишан како корен е:

Изразот  $\sqrt[8]{x^8}$  е еднаков на:

За која вредност на  $n$  е точно равенството  $4^5 : 4^3 = 4^{5-n}$  ?

Кое од равенствата е равенство за коренување на производ?

За да се ослободиме од коренот во именителот на дробката  $\frac{2}{3+\sqrt{5}}$  :

е еднакво на:  $\sqrt{\sqrt[3]{\sqrt[4]{x^2}}}$

## 10. Математика - Општо образование

Прашање

Колку е  $\left(\sqrt{\frac{3a}{2b}}\right)^3$  ?

Колку е  $\sqrt[3]{2x^2} \cdot \sqrt[3]{4x}$  ?

Колку е  $\sqrt[9]{(-4)^9}$  ?

Прошири го коренот  $\sqrt[12]{x^4 y^{10}}$  со 3.

Најди ја приближно страната на квадрат со површина  $27\text{cm}^2$  . Одговорот заокружи го на едно децимално место.

Кој е најголемиот природен број помал од  $\sqrt{53}$  ?

Меѓу кои два последователни природни броеви е  $\sqrt{111}$  ?

Колку е  $\sqrt{0,0001}$  ?

Вредноста на  $A = \sqrt[9]{\left(-\frac{1}{27}\right)^{-6}}$  е:

Колку е  $\frac{\sqrt[3]{0,008}}{\sqrt{0,01}}$  ?

## 10. Математика - Општо образование

Прашање

Вредноста на  $\sqrt[4]{96 \cdot 8}$  е:

Вредноста на бројниот израз  $2\sqrt{12} - 3\sqrt{27} + \sqrt{48}$  е:

запишан во нормален вид е:  $\sqrt{48}$

Колку е вредноста на  $\sqrt[3]{8 \cdot \left(-\frac{27}{64}\right) \cdot 64}$  ?

Корените  $\sqrt{2}$  и  $\sqrt[3]{4}$  се сведени на ист коренов показател:

Кој од корените е во нормален вид?

Пресметај го количникот  $\frac{\sqrt[3]{2x^2y}}{\sqrt[5]{x^3y}}$ .

Колку е  $\sqrt[6]{2} \cdot \sqrt[3]{3c}$  ?

Плоштината на квадратот Р е  $52 \text{ cm}^2$ . Плоштината на квадратот Q е една четвртина од плоштината на квадратот Р. Најди ја приближно страната на квадратот Q. Одговорот заокружи го на едно децимално место.



## 10. Математика - Општо образование

Прашање

Процени ја вредноста на  $\sqrt{\frac{5}{11}}$ , до најблиската десетина.

Која дробка има квадратен корен помеѓу 3 и 4?

Ако се упрости изразот  $\frac{y^{\frac{1}{5}}y^{\frac{1}{2}}}{y^{\frac{7}{5}}}$  се добива:

Со рационализирање на именителот на изразот  $\frac{5}{2\sqrt{3+3\sqrt{2}}}$  се добива:

Со извршување на операциите во изразот  $a \cdot \frac{a^{\frac{1}{2}}}{\sqrt{a}}$  се добива:

Дадено е  $a = \sqrt[6]{\frac{4}{\sqrt{2}}}$ . Кој од следните степени има вредност цел број?

По рационализацата на бројниот израз  $\frac{1}{\sqrt{7}-\sqrt{6}}$  се добива:

Изразот  $\sqrt[3]{a^2}\sqrt{a}$  е еднаков на:

Изразот  $\frac{\sqrt{3}-\sqrt{2}}{\sqrt{3}+\sqrt{2}}$  може да се трансформира во изразот:

Која од следните равенки има решение во  $N$  ?

## 10. Математика - Општо образование

Прашање

Симболот  $i$  е број, чиј квадрат е  $-1$ . Вака дефинираниот број  $i$  се вика:

Колку е реалниот и имагинарниот дел на комплексниот број  $z = -5 + 2i$  ?

Два комплексни броја, кои имаат еднакви реални дела, а имагинарните делови им се со спротивен знак се викаат:

Ако  $z = \frac{\sqrt{3} + i}{2}$ , тогаш:

Кој комплексен број е конјугирано комплексен на бројот  $-1 + 2i$  ?

Степенот  $i^{4k+3}$  е еднаков со:

Колку е  $|z_1 \cdot z_2|$  ?

Спротивен број на комплексниот број  $-3 + 4i$  е:

Одреди го модулот на комплексниот број  $2 - 3i$ .

Колку е  $\sqrt[3]{-8}$  ?

Во кој квадрант од комплексната рамнина е комплексниот број  $z = 4 - i$  ?

## 10. Математика - Општо образование

Прашање

Колку е  $\sqrt{-28}$  ?

Упростен изразот  $(-2-4i) + (3+i)$  е:

Упростен изразот  $-i^{73}$  е:

Модул на комплексниот број  $z = -3 + 2i$  е:

Колку е  $i^{2010}$

е:  $i^{35}$

Запиши изразот  $\sqrt{-4 + 10}$  во облик  $a + bi$ .

Збирот на конјугирано комплексни броеви  $z$  и  $\bar{z}$  е:

Производот на броевите  $z_1 = 3 - 4i$  и  $z_2 = 3 + 4i$  е:

Упростен изразот  $\frac{8+4i}{6-9i}$  е:

Која е поедноставна форма на  $\frac{9i^5+5i^7}{2i^4}$  во стандарден облик?

Упрости  $(-6+3i)^2$ .

## 10. Математика - Општо образование

Прашање

Количникот  $\frac{i}{\sqrt{2+i}}$  е еднаков на:

Комплексните броеви  $z_1 = x - 2 + 3yi$  и  $z_2 = 2x - 1 - 3yi$  се еднакви за:

Колку е  $i \cdot (2-4i) \cdot (9-3i)$  ?

Упростен изразот  $\frac{7+6i}{-1-2i}$  е:

Ако  $a = 4 + 2i$  и  $b = -3 - 5i$ . Колку е конјугираниот комплексен број на  $a + b$  ?

Која од следните равенки е квадратна?

Даден е квадратниот трином  $ax^2 + bx + c$ , чии нули  $x_1$  и  $x_2$  се реални броеви. Квадратниот трином точно е разложен на линеарни множители со реални коефициенти:

Ако  $x_1$  и  $x_2$  се корени на квадратната равенка  $x^2 + px + q = 0$  тогаш:  $(a \neq 0)$ ,

Квадратната равенка  $ax^2 + bx + c = 0$  има реални корени за:

Која од квадратните равенки е од видот  $ax^2 + bx = 0$  ?

Коефициентите  $a, b, c$  на квадратната равенка  $\sqrt{5} - 6x + \sqrt{3}x^2 = 0$  се:

## 10. Математика - Општо образование

Прашање

Ако  $x_1$  и  $x_2$  се корени на квадратната равенка  $ax^2 + bx + c = 0, (a \neq 0)$ , тогаш

Која од равенките е квадратна равенка?

Формулата за корените на квадратната равенка  $ax^2 + bx + c = 0, (a \neq 0)$ , е:

Ако детерминантата  $D > 0$  тогаш решенијата на квадратната равенка  $ax^2 + bx + c = 0, a \neq 0$  се:

При користење на формулата за пресметување на корените на квадратната равенка  $3x^2 - 5x = -8$ , кои вредности треба да се користет за  $a, b$  и  $c$  ?

Како се пресметува дискриминантата на квадратната равенка  $-x^2 + 17x - 5 = 0$  ?

Која од квадратните равенки е неполна квадратна равенка?

Заеднички корен за равенките  $x^2 - 7x + 10 = 0$  и  $x^2 - 10x + 16 = 0$  е:

Кои се корените на квадратната равенка  $3x^2 + 4x = 10$  ?

Равенката  $3x(x - 2) = 7$  запишана во општ вид:

Користи ја дискриминантата за да го утврдиш бројот на реалните корени на квадратната равенка  $-(x + 5)^2 - 1 = 0$ .

## 10. Математика - Општо образование

Прашање

Решенија на равенката  $16x^2 + 4 = 0$  се:

Одреди го параметарот  $m$  на равенката  $x^2 + x + m = 0$  и  $x_1 = -3$ .

Зошто квадратната равенка  $a^2 + a + 7 = 0$  нема реални решенија?

Равенката  $y^2 = 64$  може да се претстави како производ на прости множители на следниот начин:

Решенија на равенката  $x^2 - 6x = 0$  се:

Одреди го параметарот  $k$ , така што равенката  $x^2 + 3x + k = 0$  да има двоен корен.

За која вредност на параметарот  $k$ , равенката  $(k+1)x^2 + (3k+2)x - 5k + 4 = 0$  е од видот  $x^2 + px + q = 0$ ?

Производот на корените на квадратната равенка  $6x^2 + 5x - 12 = 0$  е:

Збирот на корените на квадратната равенка  $x^2 + 4x - 5 = 0$ :

За кои вредности на параметарот  $k$ , равенката е квадратна?  
 $(4k - 3)x^2 - 4kx = 0$

Збирот на решенијата на квадратната равенка  $3(x - 2)(x + 5) = 0$  е:

## 10. Математика - Општо образование

Прашање

За која вредност на параметарот  $k$ , подредениот пар  $(4, 2)$  е решение на равенката  $5x - ky = k - 4$  :

Како гласи квадратната равенка чии корени се  $x_1 = -5, x_2 = 3$  ?

Како гласат Виетовите формули за равенката  $2x^2 - 7x + 5 = 0$  ?

Решение на равенката  $\frac{x+2}{x-2} = \frac{-3}{x}$  е:

Должината на правоаголен прозорец е  $6m$  повеќе од нејзинта ширина  $W$ . Плоштината на прозорецот е  $36m^2$ . Која равенка може да се користи за да се најдат димензиите на прозорецот?

Ако корените на  $x^2 + px + 12 = 0$  се во сооднос  $1:3$ , а тогаш  $p$  е еднакво на:

Колку е бројот на корените на квадратната равенка  $x^2 - 3 = (3x - 2)(x + 7)$  ?

Ако  $\alpha, \beta$  се корените на  $x^2 + 5x + a = 0$  и  $2\alpha + 5\beta = -1$ , тогаш е еднаква на:  $a$

За која вредност на  $k$ , квадратната равенка  $2x^2 - kx + k = 0$  има еднакви корени?

За кои вредности на параметарот  $k$ , равенката  $(k - 4)x^2 + 6 = 0$  ќе има различни реални корени:

## 10. Математика - Општо образование

Прашање

Збирот на аритметичката и геометриската средина на корените на квадратната равенка  $x^2 - 4x = 0$  е:

Квадратната равенка  $x^2 - (m - 2)x + m + 1 = 0$ , каде  $m$  е реален параметар е неполна квадратна равенка, ако вредноста на  $m$  е:  $m$

Ако  $x_1, x_2$  се решенија на квадратната равенка  $2x^2 + 6x - 1 = 0$ , тогаш вредноста на  $\frac{1}{x_1} + \frac{1}{x_2}$  изнесува:

Ако периметар на правоаголник е  $82m$ , а неговата плоштина е  $400m^2$ , тогаш пократката страна на правоаголникот е:

Параболата  $y = ax^2 + c$  е симетрична во однос на  $y$ -оската и нејзиното теме е во точката:

Графикот на функцијата  $f(x) = a(x - \alpha)^2$  се добива од графикот на функцијата  $f(x) = ax^2$  со поместување на параболата  $f(x) = ax^2$ :

Квадратната функција  $f(x) = ax^2 + bx + c$  има екстремна вредност за:

За испитување на знакот на квадратната функција, го одредуваме знакот на:

Квадратната функција  $f(x) = ax^2 + bx + c$  за  $x = -\frac{b}{2a}$  има екстремна вредност:



## 10. Математика - Општо образование

Прашање

Графикот на функцијата  $f(x) = a(x - \alpha)^2 + \beta$  за  $\alpha < 0$  и  $\beta > 0$  се добива од графикот на функцијата  $f(x) = x^2$  со транслација на параболата  $f(x) = ax^2$

Која од функциите е квадратна функција?

Која од следните функции е квадратна?

Квадратната функција  $y = ax^2 + bx + c$ ;  $a, b, c \in \mathbb{R}$  и  $a \neq 0$  со теме  $T\left(-\frac{b}{2a}, \frac{4ac - b^2}{4a}\right)$  во каноничен вид е:

Квадратната функција  $y = ax^2 + bx + c$ ;  $a, b, c \in \mathbb{R}$  и  $a \neq 0$  со теме  $T\left(-\frac{b}{2a}, \frac{4ac - b^2}{4a}\right)$  има оска на симетрија:

Графикот на квадратната функција  $f(x) = x^2$  е:

Квадратната функција  $f(x) = ax^2 + bx + c$  добива негативни вредности за секој  $x \in \mathbb{R}$  ако:

Максималната вредност на функцијата  $y = -3x^2$  е:

## 10. Математика - Општо образование

Прашање

Кои се решенија на равенката  $4(x-1)^2 - 3 = 25$  ?

Теме на квадратната функција  $y = 2(x-3)^2 - 7$  е:

Екстремната вредност на функцијата  $f(x) = 2x^2 - 4x - 3$  е:

Кои се нули на функцијата  $f(x) = x(2x^2 - 8x + 6)$  ?

Ако  $x^2 + 8x + c$  е полн квадрат, колку е вредноста на  $c$  ?

Дефиниционата област на дробката  $\frac{2}{x^2-64}$  е:

Дадена е функцијата  $f(x) = -x^2 + 5x + 3$ . Колку е  $f(-2)$  ?

Темето на параболата  $y = x^2 - 2x$  има апсциса:

Дадена е квадратната функција  $y = x^2 - 4x + 3$ . При разложување на функцијата  $y$  на линеарни множители  $(x-x_1)(x-x_2)$  :

Најмалата вредност што ја добива функцијата  $y = 3x^2 + 1$  е:

Темето на параболата  $y = -x^2 + 6x - 6$  има апсциса :

Во колку точки графикот на функцијата  $y = x^2 + 2x + 3$  ја сече  $x$ -оската ?

## 10. Математика - Општо образование

Прашање

Квадратната функција  $y = ax^2 + bx + c$ ,  $a, b, c \in R$  и  $a \neq 0$  со теме  $T(\alpha, \beta)$  има оска на симетрија:

За да минува графикот на функцијата  $f(x) = x^2 + mx + 4$  низ точката  $(1, 2)$ , параметарот  $m$  треба да е:

Кои се коефициентите  $a, b, c$  на функцијата  $f(x) = -2(x+3)^2 + 1$ ?

Што е решение на неравенката  $x^2 + 7x - 8 > 0$ ?

Кое е точното разложување на множители на функцијата  $y = 4x^2 + 4x - 35$ ?

Графикот на функцијата  $f(x) = -2x^2 - 3$  се добива од графикот на функцијата  $f(x) = -2x^2$  со поместување на параболата  $f(x) = -2x^2$ .

Што е точно за функцијата  $f(x) = ax^2$ , за  $a < 0$ ?

Која од функциите опаѓа во интервалот  $(-\infty, 0)$ ?

Графикот на квадратната функција  $y = 2x^2 - 10x + 7$  е симетричен во однос на правата:

Колку е минимумот на функцијата  $y = x^2 - 2x - 3$ ?

Множеството решенија на неравенката  $x^2 + x - 6 \leq 0$  е:

## 10. Математика - Општо образование

### Прашање

Топче за голф се движи по една патека која може да се моделира со квадратна функција  $h(t) = 7,8 + 22t - 5t^2$ , каде што времето,  $t$  е во секунди и висина,  $h(t)$ , во метри. Користи ја квадратната функција за да одредиш кога топчето за голф ќе падне на замја. Пресметката заокружи ја на стотинки.

За кои вредности на  $t$  функцијата  $f(x) = -9x^2 - tx - 4$  нема нули?

Градежен работник испушта алатка од врвот на една зграда која е висока  $200m$ . Висината на паѓање на алатката може да се даде со функцијата  $h(t) = -16t^2 + 200$ , каде  $h$  е висина во метри и  $t$  е времето во секунди. Колку е потребно време за да падне алатката на земјата?  $t$

Колку раба има десетаголна призма?

Колку дијагонални пресеци има петаголна призма?

Колку најмалку бочни ѕидови може да има призма?

Колку најмалку рабови може да има призма?

Плоштината на правилна четириаголна призма се пресметува со формулата:

Волуменот на правилна тристрана пирамида се пресметува со формулата:

Волуменот на пирамида со основа правоаголник се пресметува со формулата:

## 10. Математика - Општо образование

Прашање

Колку е страната на квадрат со плоштина  $25\text{cm}^2$  е:

Бочната плоштината  $M$  на конус со радиус  $r$  и апотема  $s$  е:

Волуменот на потсечен конус е:

Плоштината на прав цилиндар со радиус  $R$  и висина  $H$  е:

Волуменот на конус со радиус  $r$  и висина  $H$  е:

Терминот „волумен“ означува:

Волумен на правилна четиристрана пирамида со основен раб  $a$  и висина  $H$  е:

Плоштината на правилна шестаголна призма се пресметува со формулата:

Кои од дадените димензии се димензии на рамностран конус?

Призма и пирамида имаат еднакви основи и еднакви висини. Волуменот на пирамидата е  $64\text{cm}^3$ . Колку е волуменот на призмата?

Плоштината на оскиниот пресек е рамностран цилиндар е  $81\text{cm}^2$ . Колку е радиусот на цилиндарот?

## 10. Математика - Општо образование

Прашање

Колку е плоштината на цилиндар со радиус 4 m и висина 3 m? Заокружи на најблиската десетинка.

Колку е плоштината на конус со радиус  $4\text{cm}$  и генератриса  $5\text{cm}$  ?

Кире направил конусна шапка со висина  $8\text{cm}$  и периметар на основата  $12\pi\text{cm}$  . Колку е плоштината на шапката?

Колку е волуменот на призма со основа рамнокрак триаголник со основа  $7\text{cm}$  и висина  $7\text{cm}$  и висина на пирамидата  $H = 9\text{cm}$  ?

Колку е волуменот на квадар со страни  $a = 14\text{cm}$ ,  $b = 5\text{cm}$ ,  $c = 8\text{cm}$  ?

Колку е волуменот на цилиндар со радиус  $R = 5\text{m}$  и висина  $H = 3\text{m}$ , пресметан до најблискиот кубен метар?

Колку е волуменот на конус со радиус  $r = 15\text{m}$  и висина  $H = 8\text{m}$ , пресметан до најблискиот кубен метар?

Бочната плоштина на правилна четиристрана призма со висина  $8\text{cm}$  е  $160\text{cm}^2$  . Должината на основниот раб е:

Волуменот на правилна четиристрана пирамида со основен раб  $9\text{cm}$  и висина  $18\text{cm}$  е:

Волуменот на цилиндар впишан во коцка со раб  $a$  изнесува:

Пирамида со плоштина на основата  $40\text{cm}^2$  и висина  $9\text{cm}$  има волумен:

## 10. Математика - Општо образование

Прашање

Волуменот на права призма со висина  $30\text{cm}$  и основа ромб чии дијагонали се  $18\text{cm}$  и  $24\text{cm}$  е:

Волуменот на пресечен конус со висина  $H = 6\text{cm}$  и радиус на поголемата основа  $r_1 = 7\text{cm}$  и помалата основа  $r_2 = 4\text{cm}$  е:

Волумените на призма и пирамида со исти основи и висини се однесуваат како:

Правилна шестоаголна еднакворабна призма со раб  $1\text{cm}$  има плошина на обвивката:

Висината на рамностран конус со радиус на основата  $r$  е:

Колку е просторната дијагонала на коцка со раб  $2\text{cm}$  ?

Спореди го волуменот на конус со радиус  $9\text{cm}$  и висина  $30\text{cm}$  со волуменот на цилиндар со радиус  $9\text{cm}$  и висина  $10\text{cm}$  ?

Дијагоналниот пресек на правилна четиристрана призма е квадрат со плошина  $50\text{cm}^2$ . Волуменот на призмата е:

Основниот раб на правилна четириаголна пирамида е  $10\text{dm}$ , а апотемата е  $13\text{dm}$ . Волуменот на пирамидата е:

Димензиите на квадар се однесуваат  $5:2:4$ , а нивниот збир е  $33\text{dm}$ . Плоштината на квадарот е:

## 10. Математика - Општо образование

Прашање

Правоаголен триаголник со една катета  $3\text{cm}$  а другата катета е за  $1\text{cm}$  помала од хипотенузата, ротира околу поголемата катета. Плоштината на добиеното ротационо тело е:

Волуменот на рамностран цилиндар со дијагонала на оскиниот пресек  $10\sqrt{2}$  е:

Плоштината на коцка со просторна дијагонала  $D = 2\sqrt{3}$  е:

Волуменот на конус со висина  $6\text{cm}$  е  $128\pi\text{cm}^3$ . Плоштината на конусот е:

Плоштината на основата на еден конус е  $B = 54\text{cm}^2$ , а паралелниот пресек што е на растојание  $H_1 = 8\text{cm}$  од врвот има плошина  $B_1 = 24\text{cm}^2$ . Колку е висината  $H$  на конусот?

Плоштината на правилен тетраедар со раб  $\sqrt[4]{3}$  е:

Просторната дијагонала на коцка со плошина  $2400\text{cm}^2$  е:

Висината на потсечена четириаголна пирамида со страни  $6\text{cm}$ ,  $12\text{cm}$  и апотема  $5\text{cm}$  е:

Колку литри вода собира цилиндричен сад со дијаметар на основата  $4\text{dm}$  и висина  $30\text{cm}$  ?

Волуменот на триаголна пирамида со меѓусебно нормални бочни рабови со должини  $3\text{cm}$ ,  $4\text{cm}$ ,  $5\text{cm}$  е:



## 10. Математика - Општо образование

Прашање

Основата на права четириаголна пирамида е правоаголник со димензии  $6\text{cm}$  и  $8\text{cm}$ , бочниот раб  $13\text{cm}$ . Колку е волуменот на пирамидата?

Дијагоналата на правоаголниот паралелопипед со рабови 3, 4 и 5 е:

Аголот  $30^\circ$  запишан во радијани е:

Во кој квадрант е аголот  $\alpha = -130^\circ$  ?

Кој од следните идентитети е основен тригонометриски идентитет?

Која од дадените пропорции е синусна теорема?

Нека  $a, b, c$  се страните и  $\alpha, \beta, \gamma$  соодветните спротивни агли во триаголникот  $ABC$ . Тогаш важи равенството:

Запиши го во степени аголот  $\frac{\pi}{12}$ .

Како синусна теорема е познато равенството:

Ако за триаголникот  $ABC$  се дадени  $a, b$  и  $\beta$ , тогаш аголот  $\alpha$  може да се пресмета од:

Ако за триаголникот  $ABC$  се дадени  $b, c$  и  $\alpha$ , тогаш:

Аголот  $27^\circ$  запишан во радијани е:

## 10. Математика - Општо образование

Прашање

Во кој квадрант е аголот  $\alpha = 280^\circ$  ?

Која од функциите има иста вредност како и  $\cos 67^\circ$  ?

може да биде:  $\sin \alpha$

Во кој квадрант е аголот  $\alpha = \frac{29\pi}{6}$  ?

Нека  $\frac{\pi}{2} < \alpha < \pi$  . Најди ја вредноста на  $\cos \alpha$ , ако  $\sin \alpha = \frac{1}{3}$  .

изрази го со тригонометриска функција од остар агол.  $\sin 288^\circ$

е:  $\sin 120^\circ$

Колку е страната  $a$  на триаголникот  $ABC$  , ако  $b = 3\text{cm}$ ,  $c = 4\text{cm}$  и  $\alpha = 45^\circ$  ?

е еднакво на:  $\text{ctg}(180^\circ + \alpha)$

Вториот крак на аголот  $\alpha = 932^\circ$  во координатната рамнина се наоѓа во:

? Колку е  $\cos 120^\circ$

и  $\cos \alpha = -\frac{1}{3}$  , тогаш  $90^\circ < \alpha < 180^\circ$  е:  $\sin \alpha$

## 10. Математика - Општо образование

Прашање

Изразот  $A = a^2 \sin 90^\circ - a \cos 180^\circ - \operatorname{tg} 0^\circ$  упростен е:

и Ако  $\operatorname{tg} \alpha = -\sqrt{3}$ , тогаш  $270^\circ < \alpha < 360^\circ$  е:  $\operatorname{ctg} \alpha$

е:  $\operatorname{tg} \frac{5\pi}{3}$

Колку е плоштината на правоаголен триаголник со катета  $a = 16\text{cm}$  и еден од аглие  $45^\circ$  ?

ако аголот  $\sin \alpha \cos \alpha > 0$  е во:  $\alpha$

Ако триаголникот  $ABC$  има страни  $a = 12$ ,  $b = 12$  и  $c = 5$ , тогаш:

Нека  $\frac{\pi}{2} < \alpha < \pi$ . Најди ја вредноста на  $\sin \alpha$  ако  $\cos \alpha = -0,6$  ?

изрази го со тригонометриска функција од остар агол.  $\sin 150^\circ$

Колку е плоштината на рамнокрак правоаголен триаголникот  $ABC$  со хипотенуза  $c = 6\text{cm}$  ?

Колку е плоштината на триаголникот  $ABC$ , ако  $a = 5\text{cm}$ ,  $c = 8\text{cm}$ , ?  
 $\beta = 30^\circ$

Колку е плоштината на паралелограмот  $ABCD$ , со страни  $10\text{cm}$  и  $8\text{cm}$  и агол меѓу нив  $30^\circ$  ?

## 10. Математика - Општо образование

Прашање

Колку е висината на рамнокрак трапез, ако дијагоналата на трапезот е  $6\text{cm}$ , а аголот што таа ги зафаќа со поголемата основа е  $60^\circ$  ?

Изразот  $(1 - \sin\alpha) \cdot (1 + \sin\alpha)$  упростен е:

Нека  $\frac{\pi}{2} < \alpha < \pi$ . Најди ја вредноста на  $\text{tg}\alpha$ , ако  $\cos\alpha = -\frac{15}{17}$  ?

Упростен изразот  $(\text{tg}\alpha + \text{ctg}\alpha)^2 - (\text{tg}\alpha - \text{ctg}\alpha)^2$  е:

Ако за триаголникот  $ABC$ ,  $a = 3\sqrt{2}$ ,  $\alpha = 30^\circ$  и  $\beta = 45^\circ$ , тогаш станата  $b$  е:

Триаголник има страни 5, 6 и агол меѓу нив  $120^\circ$ . Третата страна на триаголникот е:

Во правоаголен триаголник спроти катетата со должина  $30\text{cm}$  лежи агол од  $60^\circ$ . Радиусот на опишаната кружница е:

Страната  $c$  на  $\Delta ABC$  со страни  $a = 2$ ,  $b = 2\sqrt{3}$  и агол  $\gamma = 30^\circ$  е:

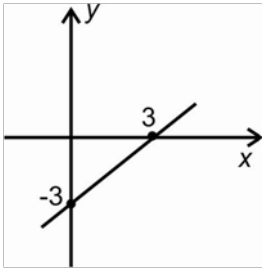
Третата страна на триаголникот  $ABC$ , со  $a = 5$ ,  $c = 7$ ,  $\beta = 60^\circ$  е:

изрази го со тригонометриска функција од остар агол.  $\text{tg}\frac{11\pi}{6}$

## 10. Математика - Општо образование

### Прашање

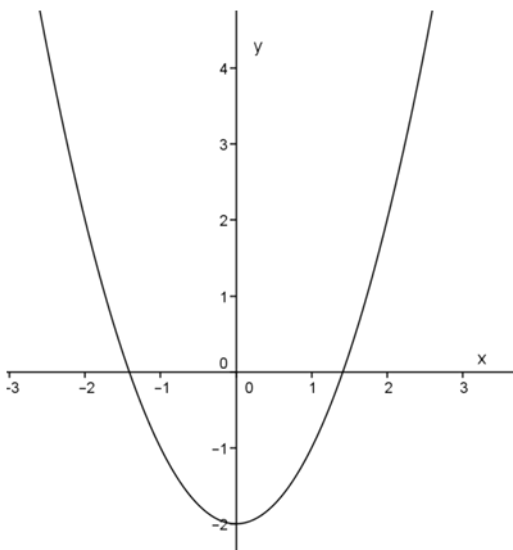
За која од линеарните равенки со две непознати е даден е графикот?



Висината на триаголникот е 4 пати поголема од неговата основа. Плоштината на триаголник е  $168m^2$ . Кој број е најблиску до должината на основата?

Ако  $a > 0$  и  $c < 0$ , тогаш графикот на функцијата  $f(x) = ax^2 + c$  е:

Кои се нулите на функцијата дадени со график?



## 10. Математика - Општо образование

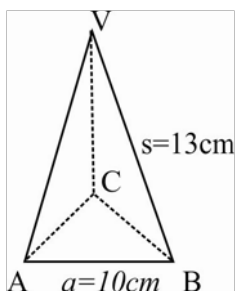
Прашање

Даден е графикот на  $f(x) = -2x^2$ . Множеството вредности на функцијата е:

На цртежот е даден графикот на функцијата  $f(x) = ax^2 + c$ . Одреди ги знаците на коефициентите на  $a$  и  $c$ .

Реши ја квадратната неравенка  $x^2 + x - 6 < 0$ . Користи го дадениот график на функцијата  $f(x) = x^2 + x - 6$ .

Плоштината на правилна тристрана пирамида дадена на цртежот е:



Системот линеарни равенки еквиалентен на системот:

$$\begin{cases} (x-4)^2 + 2y = (x-2)(x+2) \\ \frac{x}{2} - \frac{y}{3} = x \end{cases} \text{ e}$$

Равенката  $3x^2 + bx + 12 = 0$  има реални корени. Кои се можните вредности на  $b$ ?

Дадена е квадратната равенка  $ax^2 + bx + c = 0$  со една променлива. Со користење на методот дополнување до полн квадрат, кој е последниот чекор за да се добие формулата за пресметување на корените на квадратна равенка со една променлива?

## 10. Математика - Општо образование

Прашање

Равенствата кои ја даваат врската меѓу нулите и коефициентите на квадратната равенка се викаат:

## 11. Осветлување и инсталации - Стручно образование

Прашање

Делот од изолираниот проводник низ кој тече електрична струја, заедно со изолацијата се нарекува:

Температурата на проводник со изолација од поливинил хлорид или природна гума не треба да ја надмине дозволената вредност од:

Најголема номинална струја на топливиот вметок (патрон) на осигурувачите од типот D може да биде:

Приклучните уреди познати како „шуко“ се:

Неподвижниот дел од приклучниот уред, со кој завршува електричната инсталација е:

## 11. Осветлување и инсталации - Стручно образование

Прашање

Кој инсталациски елемент е прикажан на сликата?



Кој инсталациски елемент е прикажан на сликата?





## 11. Осветлување и инсталации - Стручно образование

Прашање

Изолираниот проводник на сликата е:



Што е карактеристично за енергетскиот кабел на сликата?



## 11. Осветлување и инсталации - Стручно образование

Прашање

Кој инсталациски елемент е прикажан на сликата?



Кој инсталациски елемент е прикажан на сликата?



## 11. Осветлување и инсталации - Стручно образование

Прашање

Кој инсталациски елемент е прикажан на сликата?



Кој инсталациски елемент е прикажан на сликата?



## 11. Осветлување и инсталации - Стручно образование

Прашање

Кој инсталациски елемент е прикажан на сликата?



## 11. Осветлување и инсталации - Стручно образование

Прашање

Инсталациониот елемент прикажан на сликата е:



Со вредноста  $0,01724 \Omega\text{mm}^2/\text{m}$  за бакар се изразува неговата:

За да имаат ист електричен отпор алуминиумскиот и бакарниот проводник со исти должини, треба:

Која ознака ја има изолиран проводник со изолација на проводникот и наметката од PVC маса, со проводник со жолто зелена боја, со три бакарни проводници со напречен пресек од  $1,5 \text{ mm}^2$  за номинален напон 380V?

## 11. Осветлување и инсталации - Стручно образование

Прашање

Што се користи во електричните инсталации за независно вклучување и исклучување на две одделни струјни кола со електрични светилки?

Кое тврдење е точно? Контактите се користат:

Каква заштита обезбедува биметалното реле?

Според начинот на приклучување осигурувачите од типот D можат да бидат:

Која дефиниција за каблите е точна?

Каква е бојата на изолацијата на заштитниот проводник кај енергетскиот кабел со ознака PP Y 5 x 6 mm<sup>2</sup> ?

Од бакар и од алуминиум кај изолираните проводници и кабли се изработува:

Кој од наведените фактори НЕ е од значење при утврдување трајно дозволени струи на проводниците и каблите во електричните инсталации од табели, според стандардот МКС Н.Б2.752?

Зошто треба да се ограничи струјата низ проводникот, односно кабелот?

Основната конструктивна разлика помеѓу изолираните проводници и каблите е тоа што:

Што се употребува за механичка, антикорозивна и електроизолациска заштита на проводниците при нивно поставување?

## 11. Осветлување и инсталации - Стручно образование

Прашање

За инсталациските осигурувачи е точно следното:

Што врши електромагнетот во електромагнетната склопка?

Која е улогата на механичката заштита на кабелот?

Накрсниот прекинувач се комбинира со:

Ако во првата група на означување на кабелот се содржи буквата O, тогаш, се работи за:

Изолираниот проводник со ознака PP/O-A 4x16mm<sup>2</sup>, може да се употреби како:

За што се употребуваат гребенестите прекинувачи?

Зошто се користат приклучните уреди?

На кои места се користат преносни приклучници?

Во станбените инсталации за приклучување на светлосни уреди за таванска монтажа и индиректно осветлување на просториите

Кабелската приклучна кутија се поставува на фасадата од објектот така што од хоризонталната оска на осигурувачите до нивото на почвата растојанието е:

## 11. Осветлување и инсталации - Стручно образование

### Прашање

При поставување на изолираните проводници под малтер, која должина се препорачува на проводниците да излегува од ПВЦ кутиите на таблите заради нивно спојување во разводните табли?

Кога електричната инсталација се изведува со поставување на изолираните проводници и кабли во инсталациски цевки или канали во сидот, за таквата изведба се вели дека е:

Од кој материјал НЕ се изработува куќниот приклучен шкаф (КПШ)?

При надсидно поставување на проводниците со помош на опфатници (шелни), опфатниците во хоризонталниот дел од трасата треба да се на растојание една од друга:

Воздушниот куќен приклучок може да се изведе со самоносечки кабелски сноп изолиран со мрежест полиетилен кој се означува со:

Што значи буквата I во ознаката IT на нисконапонските системи?

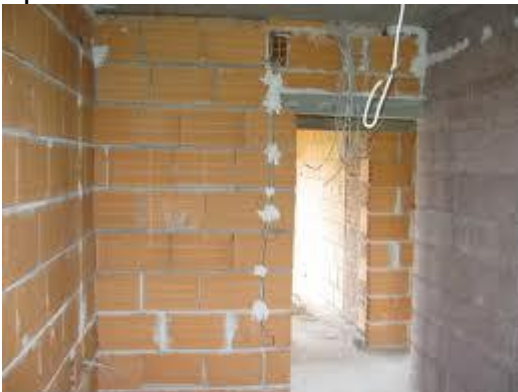
На кое растојание се изведува внатрешниот дел на куќниот приклучок?



## 11. Осветлување и инсталации - Стручно образование

Прашање

Која изведба на електрична нисконапонска станбена инсталација е прикажана на сликата?



Најекономичен (воедно и најчест) начин на изведба на електрична нисконапонска станбена инсталација е изведбата:

На сликата е прикажан троделен метален канал за подна електрична инсталација за низок и мал напон. Одделните делови се користат последователно за:



Каде се изведува електричната инсталација над малтер?

## 11. Осветлување и инсталации - Стручно образование

Прашање

При изведба на електричната инсталација над малтер проводниците се поставуваат:

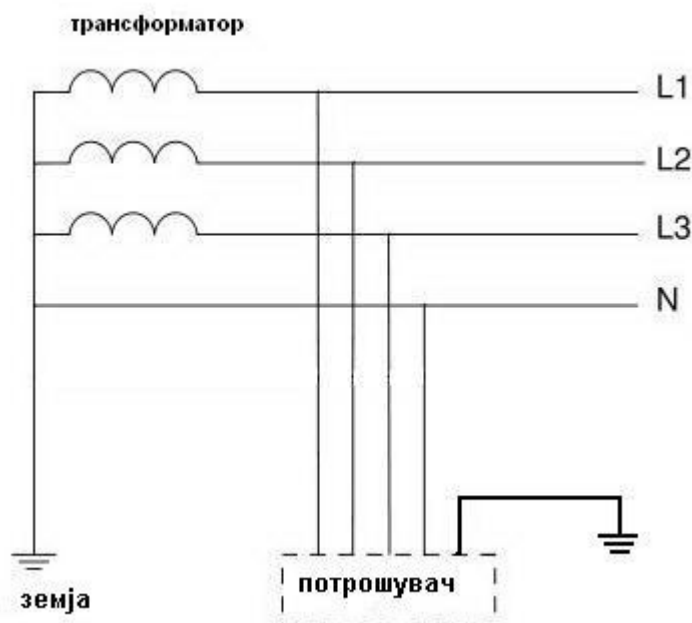
Куќиштето на инсталациските прекинувачи и приклучници за монтажа над малтер задолжително треба да се заземји ако:

Како се изведува каналниот развод?

Со куќниот приклучок се поврзува:

На кој начин се зацврстуваат кабелските опфатници (шелните)?

Кога во нисконапонскиот систем потрошувачите се поврзат како на сликата со оглед на реализирање на заштитата од допирен напон, тогаш станува збор за:



Карактеристика на IT – нисконапонскиот систем е тоа што:

## 11. Осветлување и инсталации - Стручно образование

Прашање

Со техничките прописи за изведба на електричните инсталации за низок напон се определуваат:

Како практично се изведува заштитната мерка нулирање во електричната инсталација?

На кој начин може да се изведе надземниот куќен приклучок?

Во кој случај треба да се изведе заштита од напон на допир на мерниот шкаф?

При изработка на електрична инсталација под малтер, правилен редослед на работите е:

Како се нарекува нисконапонскиот систем кај кој металните делови на потрошувачите се поврзани со заштитниот проводник, а на влезот на објектот се споени заштитниот и неутралниот проводник?

Која вредност на напонот претставува опасен напон на допир кај инсталациите за еднонасочна струја?

## 11. Осветлување и инсталации - Стручно образование

Прашање

За што се користи инсталацкиот елемент прикажан на сликата?



За изведба на инсталацијата во малтер, еден од најчесто применуваните изолирани проводници е од типот:

Провлекувањето на проводниците во инсталациските цевки при изведба на електричната инсталација под малтер се врши со:

Кога се изведува подземен (кабелски) куќен приклучок?

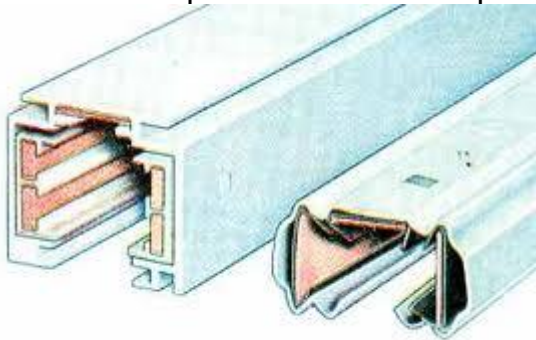
Каде се употребуваат електричните инсталации изведени со елементи како на сликата?



## 11. Осветлување и инсталации - Стручно образование

Прашање

За што се користи каналниот развод прикажан на сликата?



Како се изведува заштитата од напон на допир на мерниот шкаф од метален лим во нисконапонската станбена инсталација?

Како се нарекува напонот за кој потрошувачот е изработен?

Пад на напон по должина на проводниците се јавува затоа што:

Колку изнесува дозволениот процентуален пад на напон за инсталација за осветлување кога таа е напојувана од НН мрежа?

Пресекот на проводникот во електрична инсталација, вообичаено се изразува во :

Потрошувачите кај кои не постои фазно поместување помеѓу напонот и струјата, т.е  $\varphi = 0$ , се:

Падот на напон во електричната инсталација се изразува во:

## 11. Осветлување и инсталации - Стручно образование

### Прашање

Падот на напон во трифазниот систем се пресметува според познати вредности за:

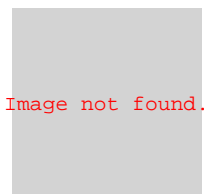
Потрошувачите за наизменична струја во нисконапонската електрична инсталација можат да бидат:

Што претставува разликата помеѓу напонот на почетокот на водот  $U_1$  и напонот на крајот на водот  $U_2$ ?

Како се нарекува моќноста на сите потрошувачи кои се напојуваат преку даден изолиран проводник или инсталациски кабел?

Какво е фазното поместување кај омските (или термички) потрошувачи за наизменична струја?

Во равенката за процентуален пад на напон во монофазен систем: со  $\sigma$  се означува:



Која моќност е меродавна за димензионирање на пресекот на напојниот проводник на електромотор?

Еднофазен електромотор со  $P=5,5 \text{ KW}$ ,  $\cos\varphi=0,83$  и  $\eta=0,88$  се напојува од мрежа. Должината на напојниот кабел е 60 м., а дозволениот пад на напон е 5%. Колку изнесува пресекот на проводникот?

## 11. Осветлување и инсталации - Стручно образование

### Прашање

Кога е исполнет термичкиот услов за пресметка на пресекот на проводник?

Колку ќе изнесува падот на напон на монофазен потрошувач со моќност од 2kW ( $\cos \varphi = 1$ ) кој се напојува со проводник PP-Y 3x2,5 380V со должина од 10 m и напојуван директно од разводна табла?

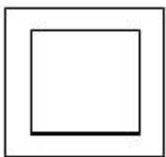
Колку ќе изнесува врвното оптоварување во даден објект, ако инсталираната моќност е 23,35 kW, а факторот на едновременост е 0,7?

Ако светилките за улично осветлување се произведени за номинален напон 220 V и се напојуваат директно од трафостаницата, при што отстапувањето одноминалниот напон изнесува +- 5%, колку ќе биде најмалата вредност на напонот што може да се јави по должина на нисконапонската мрежа?

Ако светилките што се произведени за номинален напон 220 V се напојуваат од нисконапонската мрежа, при што отстапувањето од номиналниот напон изнесува +- 3%, колку ќе биде најголемата вредност на напонот што може да се јави по должина на нисконапонската мрежа?

При настанување дефектни состојби во електричните инсталации, незначително дејство во случај на допирен напон имаат струи со интензитет од:

Прикажаниот симбол означува заштита од струен удар со:



## 11. Осветлување и инсталации - Стручно образование

Прашање

Металните предмети кои се вкопани во земјата со цел да овозможат траен спој во функција на заштита од струен удар, се нарекуваат:

Кое тврдење е точно? Работното заземјување е заземјувањето на:

Уредот прикажан на сликата е:



Какви уреди се осигурувачите во електричната инсталација?

Колкаво е растојанието во хоризонтален правец од местото каде што може да се застане, при реализација на мерката: заштитно поставување надвор од дофатот на раката?

Кој проводник во системите за заштита скратено се означува PEN ?



## 11. Осветлување и инсталации - Стручно образование

Прашање

Заштитата од индиректен напон на допир со поставување во изолирани простории, се реализира со:

Која е улогата на громобранската заштита?

Заштитниот уред на диференцијална струја (ЗУДС) се користи за:

Заштитната мерка: главно изедначување на потенцијалите претставува заштита:

Независно од начинот на кој се изведува заштитата од индиректен допир, во секој објект треба да се изведе:

Кој прекинувач може да се употреби за заштита од напон на допир во системите TT, TN-S, TN-C-S и IT каде заштитниот и неутралниот проводник се раздвоени?

Која заштитна мерка треба да се преземе веднаш по настанување незгода од струен удар?

Во кој од наведените случаи НЕ постои опасност од струен удар?

Заштитата од струен удар во TT – системот на нисконапонски мрежи се врши со

Која задача ја има мерниот спој во громобранската инсталација?

Кога се реализира заштитата од напон на допир со поставување во изолирани простории, една од мерките кои што треба да се задоволат е да на секое место електричниот отпор на изолациските сидови и подот мора да биде најмалку:

## 11. Осветлување и инсталации - Стручно образование

### Прашање

На кој начин функционира заштитата од напон на допир со локално израмнување на потенцијалите без поврзување со земја?

Покрај заштитни уреди за диференцијална струја и од преголема струја, во ИТ – системот за ефикасна заштита од напон на допир е неопходно да се поврзе и:

Како се нарекува светлинскиот извор чии димензии се занемарливо мали во однос на растојанието од каде што се набљудува?

Својствата: одбивање, пропуштање и впивање на светлината се именуваат како:

Подрачјето на видлива светлина има бранова должина од:

Светлинскиот флуks се означува со:

Како се нарекува единицата за мерење на светлосната јачина?

Зависно од карактерот на просторната распределба на одбиените и пропуштените светлински флуksеви, материјалите што се употребуваат во техниката на осветлувањето можат да бидат:

Насоченото (огледално) одбивање на светлината е својство на:

Како се нарекува односот помеѓу впиениот светлински флуks  $\Phi_a$  и вкупниот светлосен флуks  $\Phi$  кој паѓа на некое тело?

Што претставува количината светлина што ја зрачи еден светлосен извор во единица време?

## 11. Осветлување и инсталации - Стручно образование

Прашање

Зависно од површината на која што нормално паѓа светлосниот флуks и од флуksот, со количникот  $E = \frac{\Phi}{S}$  се дефинира светлосната големина:

Одликата на дифузно одбивање е карактеристична за:

Од провидните материјали во светлотехниката се употребува најмногу:

Колкава е сјајноста на гипсен таван (фактор на рефлексивност  $\rho = 0,92$ ) со површина  $S = 12 \text{ m}^2$  на кој паѓа светлосен флуks  $\Phi = 1500 \text{ lm}$ ?

Големиот болскот дејствува неповолно на окото, врши заслепување со што предизвикува засенување. Кога тоа настанува?

Колку изнесува средната сферна светлинска јачина на светлинскиот извор кој зрачи со вкупен светлински флуks  $1256 \text{ lm}$ ?

Колкава е средната вредност на осветлувањето на површина од  $40 \text{ m}^2$  врз која паѓа светлински флуks  $1200 \text{ lm}$ ?

Во која група на светилки спаѓаат халогените светилки?

Кај светилките со вжарено влакно отпорната жица се изработува од:

Едисоновиот навој и грло се изработуваат со следните димензии и ознаки: E 10, E 14, E 27 и:

Како се нарекува делот од светилото што служи светлосниот флуks да го насочи во една насока?

## 11. Осветлување и инсталации - Стручно образование

Прашање

Живините и натриумовите светилки се употребуваат во:

Јасно бела светлина кај електричните светилки со усвитено влакно се добива кога влакното е загреано на температура:

Во спектарот на светлината добиена од живини светилки недостасува:

Што предизвикува допирањето на халогените светилки со голи раце, или со нечисти помошни средства, а потоа запалување на замастената светилка?

Што значи стробоскопски ефект?

Каква светилка е прикажана на сликата?



## 11. Осветлување и инсталации - Стручно образование

Прашање

Светилката што е прикажана на сликата е:



Каква светилка е прикажана на сликата?



## 11. Осветлување и инсталации - Стручно образование

Прашање

Каква светилка е прикажана на сликата?



Уредот прикажан на сликата е:



## 11. Осветлување и инсталации - Стручно образование

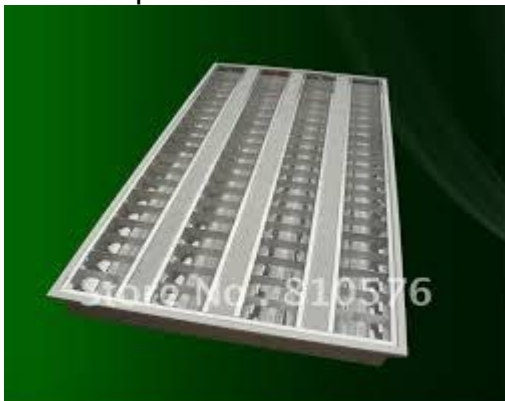
Прашање

Што е прикажано на сликата?

<http://dy-le-gmc-gbairmarket.com/>



Што е прикажано на сликата?



## 11. Осветлување и инсталации - Стручно образование

Прашање

Каква светилка е прикажана на сликата?



Каква светилка е прикажана на сликата?



Кое тврдење е точно? Со споредување на светилките со метално влакно и халогените светилки:

Во која од наведените простории е потребна вредност на осветлението од 2000 lx ?



## 11. Осветлување и инсталации - Стручно образование

### Прашање

При распоредување на светилките во просторијата, за постигнување добра рамномерност на осветлувањето односот на минимална и средна осветленост  $E_{min} : E_{sr}$  треба да изнесува:

Во кој од наведените отворени простори е потребна вредност на осветлението од 200 lx ?

Улогата на флуоресцентниот прав кај флуоресцентните светилки е да:

Која е основната задача на светилата?

Кога ќе се воспостави празнење меѓу електродите кај флуоресцентните светилки се добиваат:

Од што зависи изборот на осветлувањето?

Индуктивната намотка (пригушницата) има улога при палењето на флуоресцентната светилката, а потоа врши:

Зошто доаѓа до појава на стробоскопски ефект при работа на флуоресцентните светилки ?

Кој недостаток преовладува кај живините светилки со висок притисок во однос на нивните предности?

Живините и натриумовите светилки работат на принципот на:

Заради добивање квалитетно осветлување во затворени простории во кои работата се одвива во ноќен период, најдобро е ако сенките:

## 11. Осветлување и инсталации - Стручно образование

Прашање

Стартерот во шемата на спојување на флуоресцентната светилка се користи:

Системот на осветлување при кој 90-100% од светлосниот флукс светилката го насочува на работната површина е:

Колкава е светлосната јачина на светилка со моќност од 300 W која под агол од  $40^\circ$  има светлински флукс од 5000 lm, ако од нормираниот дијаграм на светлинската карактеристика за светилката за  $40^\circ$  се отчитува светлинска јачина 77 cd/1000lm?

Кој вид на осветлување се применува при осветлување на станови, училници, канцеларии и слични простории ?

Колку изнесува светлосното искористување на електрична светилка со усвитено влакно чиј светлосен флукс е 1500 lm, а светилката е со моќност од 100 W и приклучена на напон од 220 V?

Се споредуваат светлосните карактеристики на живина светилка, со моќност 125 W која дава светлосен флукс од 6200 lm и натриумова светилка со низок притисок, со моќност 135 W која дава светлосен флукс од 22500 lm. Кое тврдење е точно?

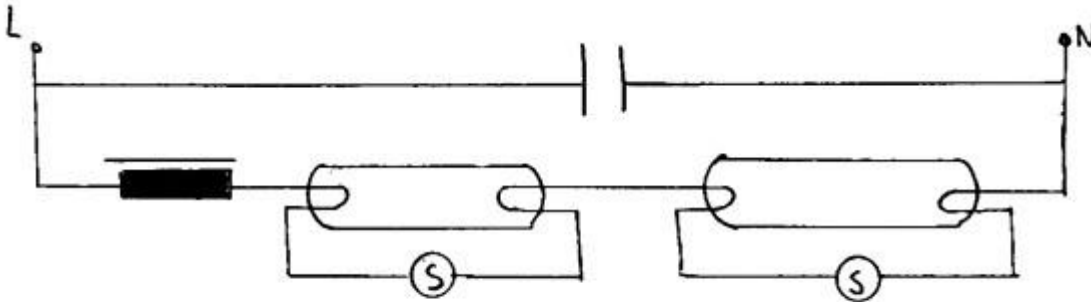
Зошто е поекономично светилката со вжарено влакно да се замени со нова по 1000 часа на работа, одошто да се остави во работа додека не прегори?

Како се постигнува намалување на стробоскопскиот ефект при осветлување со флуоресцентни светилки ?

## 11. Осветлување и инсталации - Стручно образование

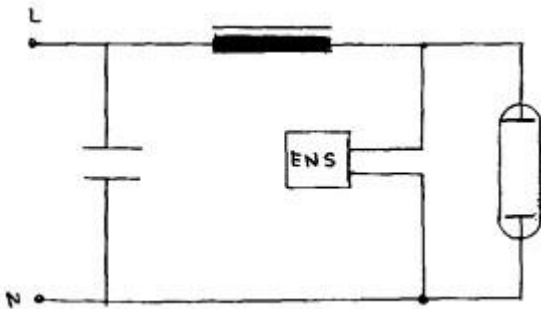
### Прашање

Со поврзување на кондензаторот со соодветни параметри во компензираната тандем врска како на сликата, се добива:



Што се постигнува со примена на просирни, опални или матирани стакла и решетки (растери) кои се поставуваат под светилката?

Од шемата на сликата може да се заклучи дека металхалогената светилка со висок притисок е предвидена да се приклучи преку:



Каде се користи директното осветлување?

Кој вид на осветлување има најмал степен на искористување на светлината од останатите видови и е најскап за примена?

За примената на натриумовите светилки точно е дека:

## 11. Осветлување и инсталации - Стручно образование

Прашање

Со изразот  $J_0 = \frac{\Phi}{4\pi}$  се претставува:

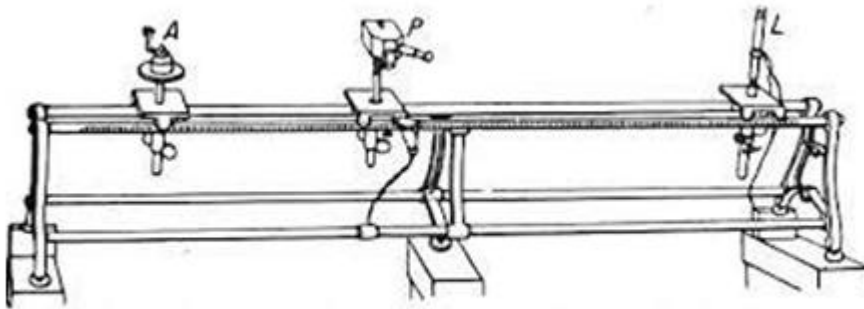
Со количникот  $E = \frac{\Phi}{S}$  меѓу густината на светлосниот флукс и површината на која овај флукс нормално паѓа, се дефинира:

Осветлувањето на канцеларии и училници се изведува со:

Со какви светилки се изведува осветлувањето на места каде не се бара препознавање на боите, но каде што е потребно на голема работна површина да се постигне големо осветлување?

Аритметичката средина на максималната и минималната осветленост се дефинира како:

На сликата се прикажани основните елементи со кои се изведува мерната метода за мерење на светлинската јачина со фотометриска клупа. Елементот со ознака P (во средина) е:

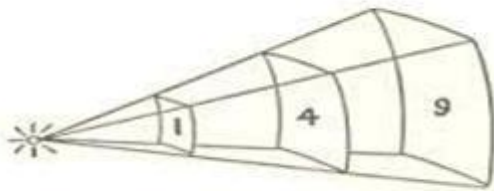


Со што се врши мерењето на осветлувањето?

## 11. Осветлување и инсталации - Стручно образование

### Прашање

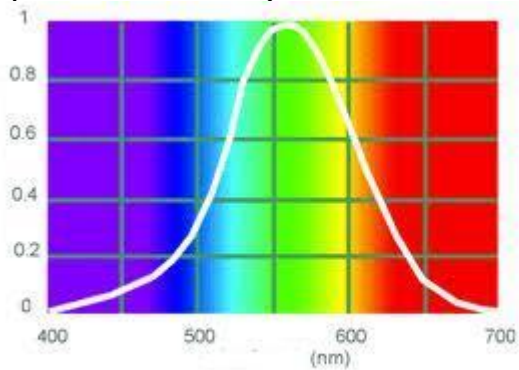
Што е карактеристично за осветлувањето од сликата на која е прикажан светлински извор кој што емитува светлински флукс во определен просторен агол?



Кое од наведените мерења НЕ е едно од основните светлотехнички мерења?

Светилка – еталон при светлосните мерења е светлински извор:

Од графички прикажаната релативна спектрална светлинска ефикасност (чувствителноста) на човечкото око, се заклучува дека :



## 11. Осветлување и инсталации - Стручно образование

Прашање

Кој е мерниот електронски дигитален инструмент на сликата кој што служи за непосредно мерење на осветлувањето?



На сликата е прикажан распоредот на светилата за осветлување на отворен простор со поставување:



Осветлувањето на фасади и споменици претставува:

## 11. Осветлување и инсталации - Стручно образование

Прашање

Што е прикажано на сликата?



Распоредот на светилките во просторијата на сликата е:

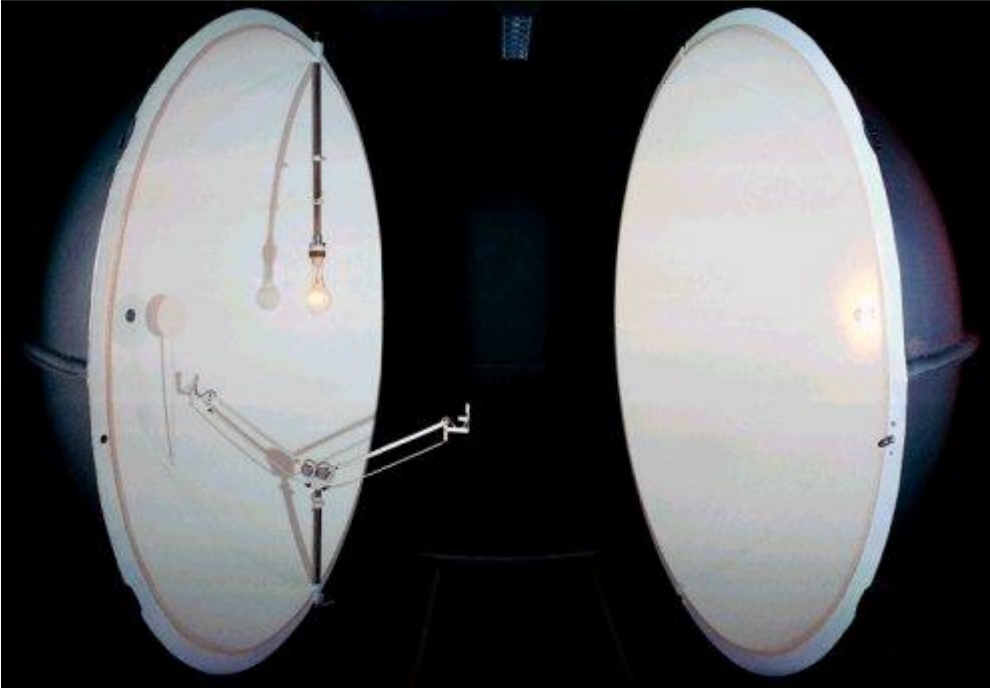


При пресметка на електричното осветлување во просторот, во првата фаза се утврдува карактеристиката на просторијата. Која од наведените карактеристики НЕ е меродавна при пресметката во оваа фаза?

## 11. Осветлување и инсталации - Стручно образование

### Прашање

На сликата се прикажани основните елементи со кои се изведува мерната метода за светлотехнички мерења (светлосен флукс, коефициенти на рефлексија, трансмисија и апсорпција) со:



Колку може да биде растојанието помеѓу две светила во редот при осветлување на улици?

Со мерење на осветлувањето на одредена просторија се утврдува:

Која е ознаката за единицата за сјајност?

Што се определува со односот на светлосниот флукс кој паѓа на работната површина на некоја просторија ( $\Phi$ ) и вкупниот светлосен флукс на сите светилкишто светат во таа просторија ( $\Phi^{vk}$ )?

Која информација се добива од површината на фотометриското тело?



## 11. Осветлување и инсталации - Стручно образование

Прашање

Кое тврдење е точно? При осветлување на улиците

Ако од табела за избор на потребната осветленост на фасада се направи споредба на вредностите за ист материјал од кој е направена фасадата на пр. бел мермер во два разгледани случаи, се отчитуваат различни вредности во услови кога објектот би бил во неосветлен парк осветленоста на фасадата треба да биде 10 lx, а кога би бил во добро осветлена улица, треба да биде 50 lx. Зошто се препорачуваат различни вредности во двата случаи?

Кога пресметката на моќноста и потребниот светлосен флукс на електричното осветлување во затворен простор се прави со методата на степенот на искористување на осветлувањето и притоа се усвои вкупен број светилки, тогаш, за да се постигне најдобра рамномерност на осветленоста потребно е секое светило да осветлува:

Колку ќе биде средната вредност на осветлувањето на површина од 17m<sup>2</sup> врз која паѓа светлосен флукс од 1445 lm?

Колку изнесува индексот на просторија со димензии: должина  $a = 10$  m, ширина  $b=9$  m, висина  $H=7,5$  m ако осветлувањето треба да е директно, светилата се поставуваат непосредно на таван, а работната површина е на висина 0,85 m од подот?

Колку ќе изнесува факторот на стареење и нечистотија на светилките, ако факторот на стареење  $f_1 = 0,82$  а факторот на нечистотија  $f_2=0,93$  ?

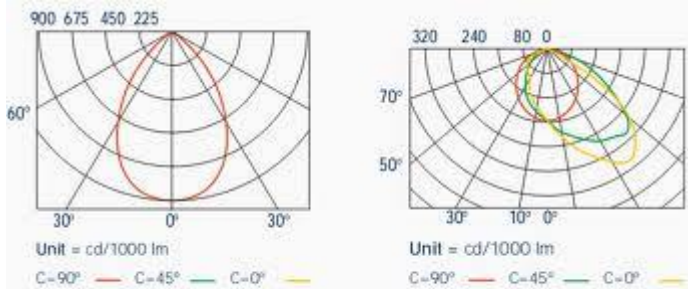
Ако осветленоста на работната површина која одговара на светлински флукс  $\Phi=1000$  lm изнесува  $E=8,87$  lx, колку ќе биде осветленоста  $E'$  што одговара на светлински флукс  $\Phi' = 17000$  lm?

Какво осветлување се користи за осветлување на улици?

## 11. Осветлување и инсталации - Стручно образование

### Прашање

Со примена на нормирани дијаграми на светлинска јачина (како на сликата), кои вообичаено се даваат за светлински флукс од 1000 lm, се овозможува:



Ако некоја точка е осветлена од повеќе извори, тогаш вкупната осветленост е:

Директното осветлување, кај кое повеќе од 90% од светлосниот флукс се упатува кон работната површина и се постигнува осветленост 10 – 60 lx се применува за осветлување на:

Ако осветленоста на работната површина која одговара на светлински флукс  $\Phi = 1000 \text{ lm}$  изнесува  $E = 9,5 \text{ lx}$ , колку ќе биде осветленоста  $E'$  што одговара на светлински флукс  $\Phi' = 16800 \text{ lm}$ ?

Колку изнесува светлинската јачина на непознат светлински извор, ако при мерење со мерната метода со фотометриска клупа е употребен еталонски извор со светлинска јачина 150 cd поставен на растојание 1 m од визуелниот фотометрискиот екран, при што е добиена еднаква осветленост со поместување на непознатиот извор на растојание 87 cm од спротивната страна на екранот?

Колку ќе изнесува факторот на стареење  $f_1$  на светилките ако факторот на нечистотија е  $f_2 = 0,92$  а факторот на слабеење и нечистотија е 0,74?

## 11. Осветлување и инсталации - Стручно образование

Прашање

Колку изнесува индексот на просторијата со димензии: должина  $a = 11\text{m}$ , ширина  $b=10\text{m}$ , висина  $H=5,5\text{m}$  ако осветлувањето треба да е индиректно, а работната површина е на висина  $0,85\text{ m}$  од подот?

Антенските системи и инсталации се:

За што служат телекомуникациските инсталации?

Жилите во оптичкиот кабел се направени од:

Трансформаторот за напојување на сигнално своно напонот од  $220\text{V}$  го:

Кој од наведените елементи НЕ е во состав на системот за заштита од кражби?

Номиналните напречни пресеци на проводниците со вредности во границите од  $0,4$  до  $0,9\text{ mm}^2$  се стандардизирани за примена во областа на:

Инсталацискиот елемент прикажан на сликата е:



## 11. Осветлување и инсталации - Стручно образование

Прашање

На сликата е прикажан:



На сликата се прикажани инсталациските елементи:



Прводникот за телефонска инсталација во станбен објект на сликата конструктивно се карактеризира со :



## 11. Осветлување и инсталации - Стручно образование

Прашање

Што е прикажано на сликата?



На сликата е прикажан изгледот на:



## 11. Осветлување и инсталации - Стручно образование

Прашање

Прикажаните инсталациски елементи на сликата се:



Јадрото на телекомуникациските проводници за поединечни апарати и инсталации се изработува од:

При инсталирање на телекомуникациските водови правилно е да се постават:

Во инсталацијата за противпожарна заштита централниот уред може да биде споен така што автоматски да го испрати сигналот при појава на пожар на електровентилите за отворање на боци под притисок исполнети со:

## 11. Осветлување и инсталации - Стручно образование

### Прашање

Видео – интерфонскиот уред прикажан на сликата, поврзан со камера на влезната врата остварува функција на :



За планирање резерва за дополнително инсталирање, вертикалните водови за телефонски инсталации препорачливо е да се поставуваат во инсталациони цевки со дијаметар:

Проводниците на телефонските кабли (со ознака ТК) се впредуваат во четворки, при што една четворка се состои од четири жили и служи за приклучување на:

Зошто служат модулите поставени на краевите на оптичките кабли?

Заради природата на преносот (видео и звучен сигнал) телевизиските станици работат на фреквентно подрачје кое опфаќа:

Која од наведените информации НЕ се пренесува со нисконапонските сигнални информации?

Со какви излорирани проводници (број на жили и пресек) би се поврзале меѓусебно одделните аларми за пожар со централниот уред ?

## 11. Осветлување и инсталации - Стручно образование

Прашање

Телефонскиот вод JYStY 1x2x0,6 има:

Во што е разликата помеѓу активниот и пасивниот централен антенски систем?

За коаксијалниот кабел точно е дека:

Што претставува ознаката за телефонскиот кабел ТК 32-20x2x0,4?

За трансформирање на емитуваните електромагнетни бранови на ТВ – станиците во соодветни напони кои со посебен вод се пренесуваат до ТВ – приемникот, се користат:

Кој елемент НЕ се користи при преносот на телевизиските сигнали кај кабелската телевизија?

Кога во системот за заштита од кражба постојат повеќе контакти на вратите и прозорците, за активирање на алармот при отварање на кој било контакт, контактите треба да се поврзат:

Бидејќи инсталацијата на системот за заштита од пожар треба да биде доверлива во работа, централниот електронски уред има вградено и:

Нека за телефонска инсталација е употребен телефонскиот кабел ТК 10x4x0,6 mm<sup>2</sup>. Кој е максималниот број на телефонски апарати што може да се приклучат во зградата со ваквиот кабел?

Кога сензорите за движење се употребуваат како автоматски склопки за вклучување на осветлението пред објектот, се карактеризираат со:



## 11. Осветлување и инсталации - Стручно образование

Прашање

Делот од проектот на електричната инсталација во кој е прикажан целокупниот потребен електроинсталатерски материјал со количина, цени, потребните технички карактеристики и точните димензии, се нарекува:

Продолжување на проводниците од електричната инсталација според техничките прописи може да се прави само во:

Како се нарекува пишуваниот документ со кој се одредуваат сите податоци потребни за изведба и одржување на електричната инсталација на некој објект?

Нацртите и електричните шеми во графичкиот дел од проектот на електрична инсталација, може да бидат прикажани во размер:

Во графичкиот дел на електричниот проект НЕ се прикажуваат:

Прикажаниот цртеж на сликата претставува:



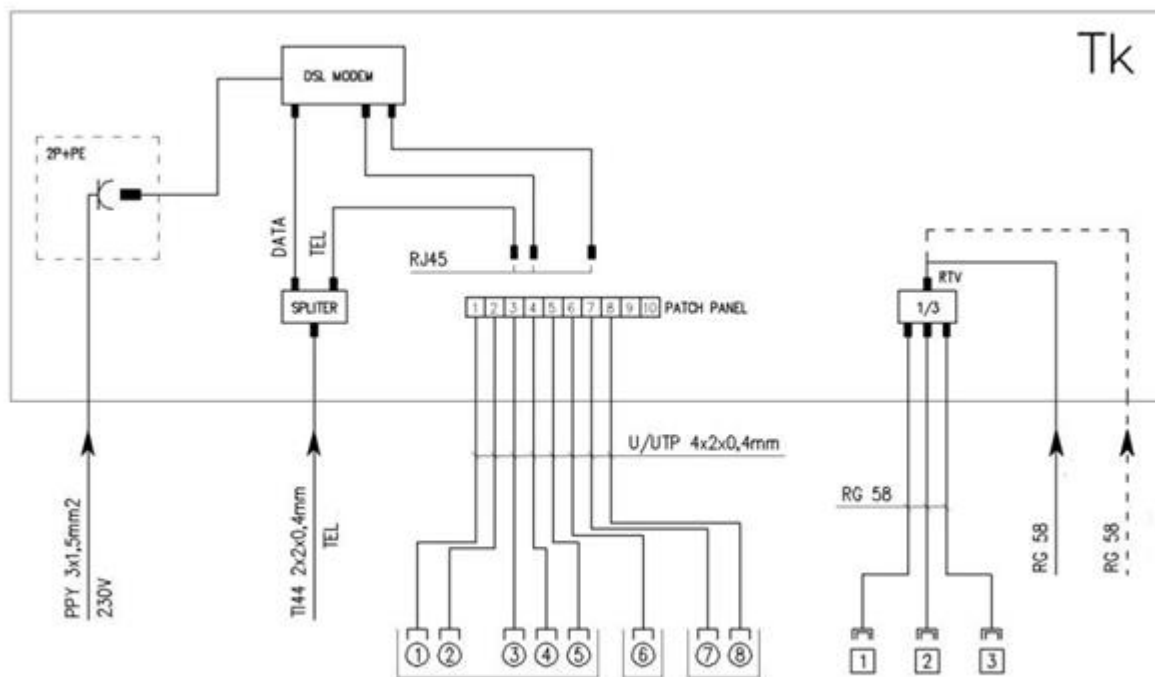
## 11. Осветлување и инсталации - Стручно образование

Прашање

Техничките услови за изработка на електрични инсталации налагаат енергетските водови да се полагаат:

Фотометриската пресметка во проектот на електричната инсталација зависно од барањата за вредноста на вештачкото осветлување и негова рамномерна распределба, има за цел:

На сликата е прикажана еднополна шема на:



На кој начин се прикажани инсталационите елементи во инсталациските нацрти и еднополните шеми во проектите на електричните инсталации?

Во кој дел на спецификацијата проектантот ги прикажува техничките карактеристики на изолираните проводници: изолација, број и напречен пресек на жилите и номинален напон?

## 11. Осветлување и инсталации - Стручно образование

Прашање

Со која единечна мерка се изразува потребната количина од одреден тип изолиран проводник во предмерот на проектот?

Со проектот на електричната инсталација е опфатено изведувањето и на:

Поставувањето на енергетските проводници во електричните инсталации е одредено со:

Во проектна задача се наведуваат:

Пресметката на отпорот на заземјувачот при проектирање на електричната инсталација на станбен објект има за цел проверка на:

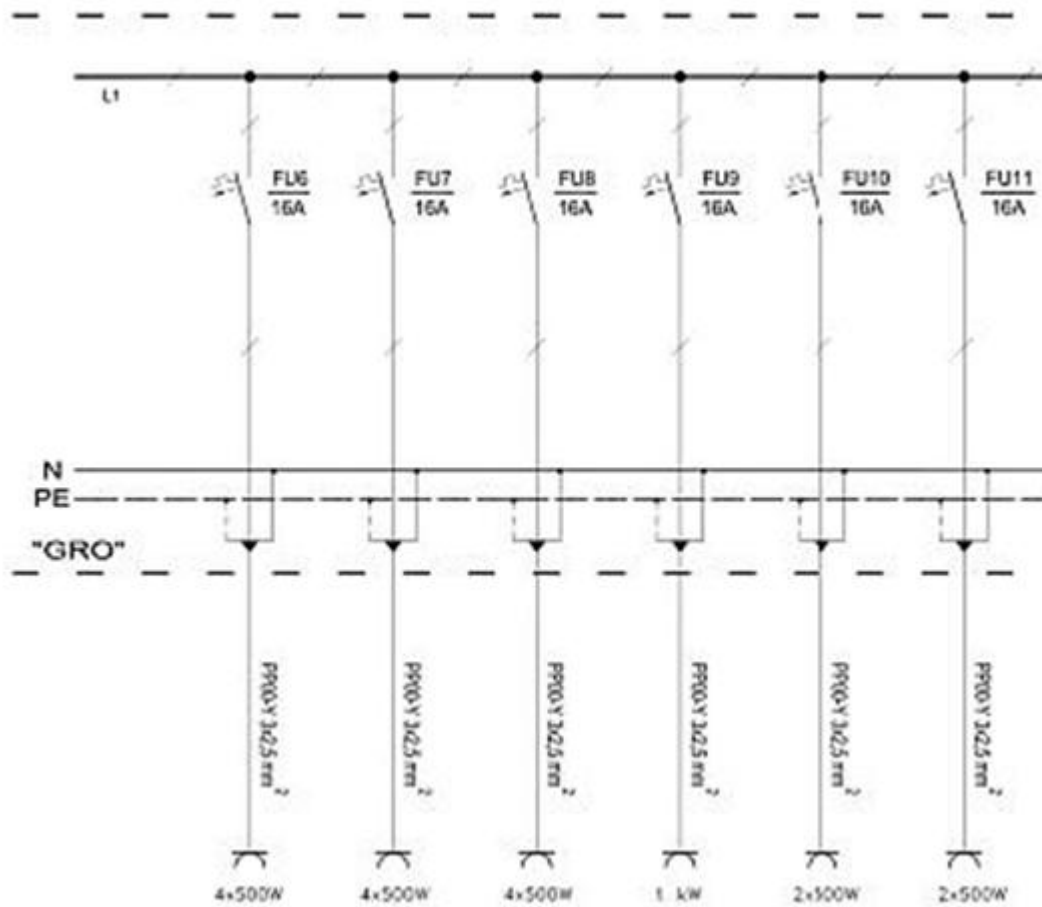
Ако нацртот на просториите во графичкиот дел од проектот на електрична инсталација е прикажани во размер 1: 100, тоа значи:

На еднополната шема на електричната инсталација на објектот со симболи се претставени:

## 11. Осветлување и инсталации - Стручно образование

### Прашање

Што претставува прикажаната шема од пректна документација на сликата?



Според техничките услови за изработка на електрични инсталации во станбен објект полагање кабел на сид е дозволено:

## 11. Осветлување и инсталации - Стручно образование

Прашање

За заштита од превисок напон на допир на деловите под напон е предвиден TT систем при што треба во темелите на објектот да се постави темелен заземјувач кој ќе биде изработен од:

Техничките услови наведени во проектот на електрична инсталација се:

Со условите за изработка на електрични инсталации, се предвидува низ ист повеќежилен кабел:

Кои шеми даваат детален приказ на начинот на напојување на објектот?

Која мерка се презема во влажни простории (бањи), заради заштита од превисок напон на допир?

Кој од наведените податоци НЕ е наведен на еднополната шема на разводната табла?

Која моќност е меродавна за пресметка на пресекот на доводниот кабел за напојување на објектот при проектирање на електрична инсталација на станбен објект?

Со техничките услови за изработка на електрични инсталации се налага:

Во кој дел на проектот се наведени барањата на проектантот како што се: изведувачот на работите да биде стручно лице (организација), вградениот материјал да биде нов и со соодветни карактеристики, а надзорот врз работите да им се довери на стручни и овластени лица и сл.?

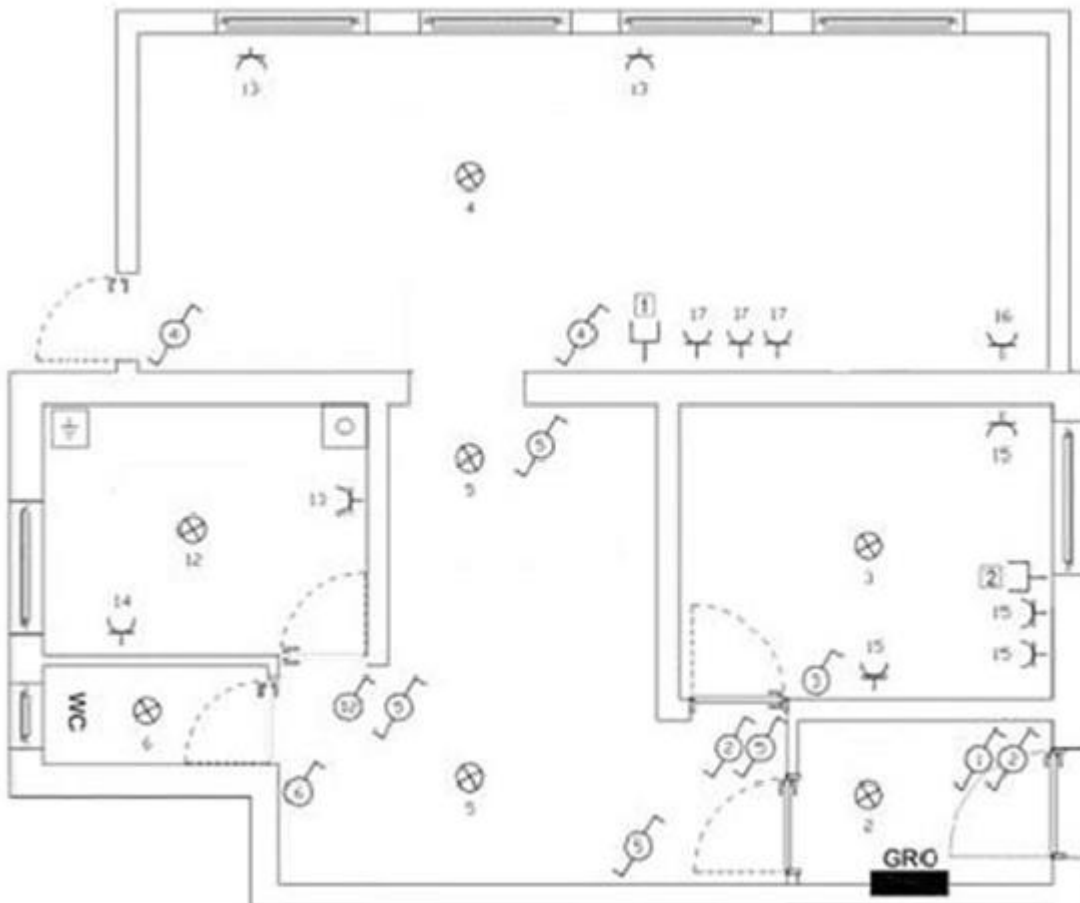
## 11. Осветлување и инсталации - Стручно образование

### Прашање

Во кој дел на проектот на електрична инсталација се дадени количините, техничките карактеристики, точните димензии и цената на предвидените материјали и елементи?

Ако во техничкиот опис на проектот се предвидува водовите да се полагаат на помала висина од 2m од подот, во тој случај со техничките услови за изработка се налага водовите да:

Што означуваат броевите покрај симболите во инсталацискиот нацрт на сликата?



## 11. Осветлување и инсталации - Стручно образование

Прашање

Со каква цел проектантот приложува технички прописи и стандарди во проектот на електричната инсталација, во делот насловен: Технички услови?

Падот на напонот во волти во трифазната мрежа е даден со изразот:

Кога е исполнет термичкиот услов за пресметка на пресекот на проводник?

Колку е номиналната струја на трифазен асинхрон мотор со моќност 5,5 kW која што е меродавна за контрола на термичкиот услов при определување пресекна доводниот кабел, ако за моторот се знае:  
 $\eta = 0,82$  ,  $\cos \varphi = 0,8$  ,  $U_n = 380 \text{ V}$ ?

Колку изнесува пресекот (електричниот услов при избор) на бакарен проводник ( $\sigma = 57 \frac{\text{S} \cdot \text{m}}{\text{mm}^2}$ ) со кој што се напојува трифазен електромотор со моќност 5,5 kW, оддалечен од РТ 60 m, ако за моторот се знае:  $\eta = 0,8$  ,  $U_n = 380 \text{ V}$  ? За дозволеният пад на напон да се земе вредност 5%.

Колку изнесува пресметаната вредност на пресекот (електричниот услов при избор) на проводниците од алуминиум на двојичен вод со должина од 30 m преку кој што се напојува монофазен електромотор од 7,5 kW, со  $\eta = 0,85$  ? Напонот на мрежата е 220 V, а дозволеният процентуален пад на напонот е 5%. Почетната моќност на моторот да се земе дека е 1,8 пати поголема од номиналната, а за алуминиум

За да биде успешна заштитата со автоматско исклучување на напојувањето во ТТ системот, збирниот отпор на заземјување и на заштитниот проводник  $R_a$  зависно од струјата на исклучување на заштитниот уред  $I_a$  треба да биде:

## 11. Осветлување и инсталации - Стручно образование

Прашање

Условот за ефикасна заштита во TN системот во однос на вредностите на импедансата на контурата (јамката), фазниот напон и струјата на исклучување назаштитниот уред е даден со релацијата:

За заштита во TT системот е употребен заштитен струен прекинувач за номинална струја 40 А и диференцијална струја (струја на грешка) 0,5 А. Колку треба да изнесува отпорот на заземјувањето за да биде заштитата ефикасна?

Со мерната единица  $\frac{cd}{m^2}$  се изразува:

Осветлувањето на некоја површина опаѓа со квадратот на растојанието и е помало кога светлосните зраци паѓаат на неа под некој агол. Во функција од светлосната јачина и наведените фактори, оваа зависност е дадена со изразот:

Средната вредност на осветлувањето се определува преку минималната и максималната вредност на осветлувањето, преку следната релација:

Рамномерноста на осветлувањето  $\frac{E_{min}}{E_{sred}}$  при осветлување на улици треба да биде:

Со односот:  $r = \frac{E_{min}}{E_{sr}}$  е даден:



## 11. Осветлување и инсталации - Стручно образование

### Прашање

Пресметувањето на вкупниот светлосен флуks при осветлување на фасади и споменици е со равенката  $\Phi_{\text{вк}} = \frac{E \cdot S}{\eta}$  во зависност од потребната осветленост  $E$  (lx), површината на фасадата  $S$  (m<sup>2</sup>) и коефициентот на искористување на осветлението  $\eta$ . Со која равенка се определува вредноста на коефициентот  $\eta$  во зависност од:  $\eta_r$  - степенот на искористување на рефлекторот,  $\tau$  - коефициентот на трансмисија на заштитното стакло на рефлекторот,  $\rho$  - коефициентот на рефлексивност на рефлекторот и  $\delta$  - коефициентот на слабеење ?

Од изразот за пресметување на осветленоста на дадена површина кога светлинскиот флуks паѓа на неа под одреден агол:  $E = \frac{I}{l^2} \cos \alpha$  се заклучува дека осветленоста:

Степенот на рамномерност на осветлувањето е даден со односот:

Кога за пресметка на електричното осветлување на отворен простор се користи методата на точки и хоризонталната осветленост во дадена точка А се пресметува со равенката:  $E_H = \frac{I_a}{h^2} \cdot \cos^3 \alpha$ , тогаш за определување вредности на  $I_a$  -светлосната јачина на изворот кон точката А и аголот  $\alpha$  меѓу вертикалата на светилото и правецот од светилото до точката А потребно е:

Кога во една просторија вкупниот светлосен флуks на сите светилки што светат во просторијата е  $\Phi_{\text{вк}}$ , а светлосниот флуks кој паѓа на работната површина е  $\Phi$ , искористеноста на осветлувањето се определува со коефициентот  $\eta_p$  според равенката:

## 11. Осветлување и инсталации - Стручно образование

### Прашање

Кога во некој затворен простор е определен потребниот број светилки  $n_{\text{svet}}$  со методата на степенот на искористување на осветлувањето  $\eta$ , се прави проверка на вредноста на средната светленост  $E_{\text{ср}} E$ . За оваа пресметка потребно е да се познаваат и: димензиите на просторијата (должината  $a$  и ширината  $b$ ), светлосниот флуks на една светилка  $\Phi_0$  и факторот на стареење и нечистотија  $\delta$ . Со која равенка се пресметува средната осветленост?

Кога во затворена просторија се предвидува употреба на светилки за директно, полуиндиректно или мешано осветлување, индексот на просторијата во зависност од димензиите на просторијата (должината  $a$  и ширината  $b$ ) и висината  $h_k$  се одредува од равенката:

Колку е средната осветленост во канцеларија со димензии: должина 11m и ширина 5m во која е предвидена примена на светилки од типот FCS 65W со BVX- луксузно бела боја и светлински флуks  $\Phi_0 = 3200 \text{ lm}$ ? Со пресметка со методата на степенот на искористување на осветлувањето за вредноста на коефициент се добива  $\eta = 0,55$ , а потребниот број светилки изнесува  $n_{\text{svet}} = 50$ . Притоа, за факторот на стареење е усвоена вредност  $\delta = 0,76$ .

Колку изнесува вкупниот светлосен флуks при осветлување на фасада со површина  $30 \text{ m}^2$  за која од табела е усвоена вредност за потребната осветленост  $95 \text{ lx}$ , ако притоа се познати вредностите: степен на искористување на рефлекторот  $\eta_r = 0,6$ , коефициент на трансмисија на заштитното стакло на рефлекторот  $\tau = 0,85$ , коефициентот на рефлексија на рефлекторот  $\rho = 0,75$  и коефициентот на слабеење  $\delta = 0,75$ ?

Заштитната мерка од струен удар - заштитно заземјување (каде се заземјени сите конструктивни проводни делови на електричните уреди кои не се под напон, но можат да дојдат под напон и свездиштето на трансформаторот), се остварува со:

## 12. Руски (Втор странски јазик) - Општо образование

Прашање

Всем советуем спать на удобную...

Каждый из нас любит фрукты. Мой сын любит...

Сегодня мы всем классом идём в театр смотреть .....„Евгений Онегин“.

В воскресенье они идут в ..... обедать.

Я часто хожу на стадион смотреть игры „Вардара“ потому что я...

Сегодня мы идем на стадион смотреть...

Я хочу пойти в музей, поэтому должна купить...

Боря закончил экономический факультет. Кем он работает?

Хоккей-это...

Ночь увеличивается, а день уменьшается. На деревьях листья желтеют и падают . Какое это время года?

Летом каждый человек старается одет .....

Два раза в неделю я иду в библиотеку и там я занимаюсь, читаю книги. Где находится читальный зал?

## 12. Руски (Втор странски јазик) - Општо образование

Прашање

Полотенце висит в.....

На спектакле он стоит и гледа на .....

Из овојци тебе повеќе сè гледаат...

Подчеркни збор кој е овде не е поврзано со спортот.

Аночка не сакала да јаде суп , бидејќи не можела да најде...

За да се позвонит на некој, тебе ти е потребно .....

Из Загреб Катја летела во Скопје на...

Кога паѓа силен дожд, на нас ни е потребно брат...

Александар љуби своја сиамска котка Алиса. Сиамска котка е...

Како треба да бидат летачици?

Завтра работни денови. Мои пријатели и јас ќе одиме во спортски сала да гледаме.....

Во елки има...

## 12. Руски (Втор странски јазик) - Општо образование

Прашање

Где попуае десерт?

Како из внизу наведённых глаголов в неопределённой форме?

Заокружите глагол в неопределенной форме.

Я завтра думаю что всё время...

У.....есть брат и сестра.

Как правильно пишется порядковое числительное 3?

Определите глагол в прошедшем времени.

Ваш двор очень ....

Моя сестра, отец и мама работают .....

Куда.....бегают по вечерам?

На стадионе играют футбол.Сколько ..... в вашей команды

В универсальном магазине я и подруга купили себе.....

Учительница не верила .....

## 12. Руски (Втор странски јазик) - Општо образование

Прашање

Вертолёт ..... машины.

Игорь ехал в Красноярск с родителями. Задай вопрос к слову родителями.

Дай ответ. Мой брат родился.....

Мы.....на берегу Преспанского озера.

Каждый день мы умываемся и .....

Мы с братом каждый день ходим в .....

Зинаида прочитала роман. Она пошла в библиотеку..... её.

Все девочки нашего класса собрались у ..... дома.

Л.Н. Толстой родился ..... 1828 года.

На перемене все студенты вышли во двор. В аудотии не было....

Девушка пришла к.....

Мира .... перед магазином.

Она .... на витрину.

## 12. Руски (Втор странски јазик) - Општо образование

Прашање

Папа и мама ..... работать.

Мы долго разговаривали.....

.....мои родители увидели мою подругу.

Женщина выглядит.....своих лет.

После уроков мы ..... на автобусе.

При знакомстве мы говорим ...

Попроси друга помочь тебе решить задачу!

Как правильно поздравить друга с именинами?

Что пожелаешь твоим родителям на Новый год?

Как мы приветствуем друг друга утром?

Спроси у незнакомого как дойти до метро.

Ты вошёл в магазин. Продавец обращается.

Друзья решили встретиться в центре города. Встреча должна быть в десять часов. Иван позвонил по телефону и попросил извинение.

## 12. Руски (Втор странски јазик) - Општо образование

Прашање

Поздравь Нину с днём рождения?

Пётру нужна помощь. Я радо помогу ему.

Что пожелаешь твоей девушке на новый год?

В любой парикмахерской вымоют волосы и сделают причёску. Как попросите парикмахера?

Ответь отрицательно. Она приехала из Ермении.

Я вижу что вы очень много курите. Советую....

Ваши друзья уезжают в Казахстан. Вы расстаетесь с ними, что им скажете?

Наташа первый раз опаздывает на работу. Смущенно спустила голову и сказала....

На прощание с товарищами мы говорим:

Телефон звонит по ошибке. Что ты скажешь?

Доктор ответил на благодарность пациента. Как?

Фильм который смотрел Дмитрий, не понравился особенно ему. Вырази согласие .....

Моника Селеш известная теннисистка думает, что надо больше времени уделять на развлечения . Вырази согласие.



## 12. Руски (Втор странски јазик) - Општо образование

Прашање

В хлебном магазине обраќашся продавцу...

Отвeтeтьe утвердительно. Можеш ли ты играть в прятки?

Отвeтeтьe отрицательно. Можеш ли ты играть с нами в теннис?

Тебя приглашают в гости. Ты радо пойдёшь. Как скажешь?

Мама и я долго смотрели на свои фотографии. Одно поняла я – что нужно одеваться скромно, соответственно возрасту. Как нужно одеваться?

Доминик студент. Он приехал из Португалии в Македонию. Он программист и сейчас изучает язык, слушает кассеты, переводит слова.  
Что изучает Доминик?

Доминик студент. Он приехал из Португалии в Македонию. Он программист и сейчас изучает язык, слушает кассеты, переводит слова.  
Кем был Доминик?

Олина приехала с отдыха. Она нам сказала что отдыхала на море. Ей там было очень приятно. Где была она?

Филип не успел войти в автобус, поэтому решил пойти пешком до школы. на занятиях пришёл поздно, шёл второй урок. Почему не успел прийти на первый урок?

## 12. Руски (Втор странски јазик) - Општо образование

### Прашање

Владимир хотел ехат на автобус, но заметил что у него нет билета в кармане. Что у него нет?

Как и многие , я тоже боюсь высоты , особенно когда шатаются под ногами камни. Мне как- то неприятно становится. Поэтому решил дальше не идти, а вернуться назад. Чего боялся мальчик.

Мария рисует море. По морю плывёт пароход, а над морем, высоко в небе, летит самолёт. Этот рисунок Мария должна показать учителю. Кому Мария должна показать рисунок?

Мария рисует море. По морю плывёт пароход, а над морем, высоко в небе, летит самолёт. Этот рисунок Мария должна показать учителю. Что Мария рисует?

Мария рисует море. По морю плывёт пароход, а над морем, высоко в небе, летит самолёт. Этот рисунок Мария должна показать учителю. Что плывёт по морю?

Младен Цветнович, машинист самого первого поезда Белград – Бар. Эму оказал доверие, тайным голосованием коллектив железнодорожников, первым провести поезд по новой дороге. Кто первый провёл поезд?

## 12. Руски (Втор странски јазик) - Општо образование

Прашање

Младен Цветнович, машинист самого первого поезда Белград – Бар. Эму оказал доверие, тайным голосованием коллектив железнодорожников, первым провести поезд по новой дороге.  
Каким голосованием?

Младен Цветнович, машинист самого первого поезда Белград – Бар. Эму оказал доверие, тайным голосованием коллектив железнодорожников, первым провести поезд по новой дороге.  
Кто указал доверие?

Горан хороший ученик, но из-за недисциплины учитель был вынуждён поставить ему единицу. Почему Горан получил единицу?

Вчера было воскресенье. Мы все отдыхали. Только Вовка был в цирк. Сегодня мы опять отправляемся в школу. Какой сегодня день?

Как понимаешь пословицу – „В закрытый рот не влетают мухи“.

На нашем рынке много продуктов. Из деревень привозят большое количество свежего молока, вкусного сыра, творог, хорошего мяса и другого разного товара. Это всё для городского населения. Откуда привозят всё что продаётся на рынке?

На нашем рынке много продуктов. Из деревень привозят большое количество свежего молока, вкусного сыра, творог, хорошего мяса и другого разного товара. Это всё для городского населения.

Какие продукты продают на рынке?

## 12. Руски (Втор странски јазик) - Општо образование

Прашање

В Универсалном магазине маленькая девушка потерялась. Она обратилась к охраннику службы безопасности помочь ей найти выход.  
К кому обратилась девочка?

В Универсалном магазине маленькая девушка потерялась. Она обратилась к охраннику службы безопасности помочь ей найти выход. Что она хотела найти?

Из Белграда в Москву мы ехали ...

В моём .... не было ни одной копейке.

Что обозначает слово тропинка?

Раз в неделю мы обедем ...

Моя бабушка и дедушка это .....

У кого можно узнать есть ли свободный стол в ресторане?

Где ключ от ....?

Наша школа находится на улице ...

Подчёркнутое слово в предложении: Атанас прислал из Китая письмо, обозначает:

## 12. Руски (Втор странски јазик) - Општо образование

Прашање

Определи неопределенную форму глагола.

Подчёркнуто слово в предложении: Сегодня отправляемся в школу, обозначает:

Заокружите глагол в прошедшем времени.

Он стоит в коридоре и ..... разговаривает.

Я хочу, ..... вы прочитали эту книгу.

Цветы погибли ..... долго не било дождя.

Его имя Алексей, имя отца Сергей, отчество будет ....

Ответьте на вопрос отрицательно. У вас есть младшие братья и сёстры?

Николай хочет узнать который час. Вырази это.

Каким словами поздравляемся в праздничный вечер – встреча Нового года?

Как спросишь у прохожего какое сегодня число?

Ты пьёшь каждое утро кофе? Ответь положительно.

Я хотел бы остановиться в этой гостинице. Есть ли у вас свободные номера? Ответь положительно.

## 12. Руски (Втор странски јазик) - Општо образование

Прашање

Маша вошла в кондитерскую купить булочки. Как сказала продавцу?

Дуня выходит замуж? Спрашивает подруга Дуни. Ответь положительно.

Мой друг Ваня и я решили совершить лыжную прогулку на Ленинские горы. Надели лыжные костюмы, шапочки, на спортивной базе взяли лыжи и лыжные ботинки. Куда пошли друзья?

Мой друг Ваня и я решили совершить лыжную прогулку на Ленинские горы. Надели лыжные костюмы, шапочки, на спортивной базе взяли лыжи и лыжные ботинки.  
Что они надели?

Анна идёт по улице. Она занята своими мыслями и никого не замечает. Чем Анна занята?

Анна идёт по улице. Она занята своими мыслями и никого не замечает. Замечает ли она кого-нибудь?

Среди высоких гор, в глубокой древней котловине, которая находится на южной границы Македонии, притаилось сказочное зеленовато-лазурное озеро которое называется Охридское озеро.  
Какое это озеро?

## 12. Руски (Втор странски јазик) - Општо образование

Прашање

Среди високих гор, в глубокой древней котловине, которая находится на южной границы Македонии, притаилось сказочное зеленовато-лазурное озеро которое называется Охридское озеро.  
Среди каких гор и какой котловине находится Охридское озеро?

Положено спать.....

Из фруктов мой сын любит.....

День увеличивается. На деревьях появляются зелёные листья, какое это время года?

Зимой все одевают....

Меня интересует автор этой книги, поэтому читаю её.  
Где находится читальный зал?

В театре я стою и смотрю на .....

Из овощей больше ты любишь....

Какое слово здесь не связано со спортом?

Как называется столица России?

## 12. Руски (Втор странски јазик) - Општо образование

Прашање

Оля не могла есть суп, потому что не могла найти...

Когда ты хочешь звонить, тебе нужен.....

Имя дочери Наталия, а имя отца Николай. Образуйте отчество Наталии.

Из Белграда Катарина летела в Москву на.....

Когда льёт дождь, мы собой берём.....

Мои родители работают в.....

Куда.....ходит по утрам?

Сколько ..... в вашей команде?

Сегодня подруга купила себе.....

Самолёт....., чем поезд.

Мы не верили....

Алёша был в Волгограде с подругой. Задай вопрос к слову подругой.



## 12. Руски (Втор странски јазик) - Општо образование

Прашање

Ответь правильно. Мой отец родился.....

Они.....на берегу Черного моря.

Утром надо умываться и .....

Я и мой брат каждый день ходим в школу.....

Галина прочитала книгу и пошла в библиотеку.....

У ..... дома все очень любят читать.

Он родился ..... 1992 года.

Все ученики во время перемены вышли во двор. В классе не было....

Молодой парень пришёл к.....

..... вы увидели молодую девушку.

Он выглядит.....своих лет.

Володя был с мамой. Поставь вопрос к слову с мамой!

После занятий мы ..... на метро.

Студенты сидят в .....

## 12. Руски (Втор странски јазик) - Општо образование

Прашање

По тротоару шли.....

Ивану надо помочь. Ты радо ему поможешь.

Спроси у прохожего, как дойти до Третьяковской галереи.

К тебе в магазине обращается продавец.

Алёша и его друг решили встретиться. Он назначил встречу в 10 часов утра, но позвонил по телефону и попросил извинение.

Как поздравить Веру с Рождеством?

Обычно в каждой парикмахерской можно вымыть голову и сделать причёску. Как попросите парикмахершу?

Ответьте отрицательно: Он приехал из Польши.

Виктория опоздала на занятие. Она должна извиниться преподавателю. Вырази это?

Ваню пригласили в гости. Он радо хочет пойти. Как выразить это?

Наши соседы уезжают в Узбекистан. При расставании, что им скажете?

## 12. Руски (Втор странски јазик) - Општо образование

Прашање

Петр Николаевич опоздал на работу. Что должен сказать?

Когда прощаемся с друзьями мы говорим:

Тебе звонят по телефону по ошибке. Что ты скажешь?

Пациент после операции благодарит доктора. Как выразит это?

Как ответил доктор на благодарность?

Димитар смотрел фильм, но не понравился ему. Вырази свое несогласие с ним.

Слово „Дорогой“ вырази .....

Володя входит в Парикмахерской. Как выразишь?

Саша до школы шёл пешком. В школу пришёл поздно, был уже второй урок. Почему он не пришёл на первый урок?

Сегодня смотрела свои фотографии. Я поняла – что одеваться надо скромно, соответственно возрасту! Как надо одеваться?

Эрик новый ученик в классе. Он приехал из Испании. Он программист и сейчас изучает язык, слушает кассеты, переводит слова, а говорит медленно. Что изучает Эрик?

## 12. Руски (Втор странски јазик) - Општо образование

Прашање

Вера сказала, что она отдыхала прекрасно, что санаторий хороший. Где была Вера?

Мама, сын и дочка едят за покупками в магазин. Сыну купили видео камеру, дочке фломастеры, а мамы джинсы. Оказалось что „на вашей кредитной карточке ничего нет“. Что значит выражение „на кредитной карточке ничего нет“?.

Музыкальная карьера Ирины развивалась. Она объездила с гастролью многие города России, Белоруссии и Казахстана. В ноябре Ирина выступила в Лужниках на церемонии вручения премии. Чем занимается Ирина?

Музыкальная карьера Ирины развивалась. Она объездила с гастролью многие города России, Белоруссии и Казахстана. В ноябре Ирина выступила в Лужниках на церемонии вручения премии. В какой стране выступает Ирина?

Книга находится.....

Сегодня праздник в семье. Дочь первый раз идёт в школу. Почему в семье сегодня праздник?

Брат грустный потому что не идёт в школу. Он ещё маленький. Почему брат грустный?

Мы ходили по лесу целый день. Устали и решили переночевать в лесу. Что решили ребята?

## 12. Руски (Втор странски јазик) - Општо образование

Прашање

Мать крестьянка. Она и её сын жили в деревне. Как называются жители деревни?

Мария всегда берёт с собой мобильный телефон. Когда ходит в кино или в театр, не берёт его. Когда у Марии нет телефона?

Ваня и Пеце сообщили одну новость. Они поедут в гости к Нине в Крым. Кто поедет в Крым?

Семья Григория всегда обедает ровно в час. Во сколько часов семье обед?

Владо замечает что у него в кармане нет билета. Что должен он сделать?

## 13. Руски (Прв странски јазик) - Општо образование

Прашање

Студенты закончили педагогический факультет. Кем они сейчас работают?

Какое из данных слов обозначает день в неделе?

Какое из данных слов обозначает дикое животное?

Какое из данных слов обозначает фрукты?

### 13. Руски (Прв странски јазик) - Општо образование

Прашање

Какое из данных слов обозначает овощи?

Какое из данных слов обозначает мясные продукты?

Боря закончил экономический факультет. Кем он работает?

Ночь увеличивается, а день уменьшается. На деревьях листья желтеют и падают. Какое это время года?

Под каким деревом находятся новогодние подарки?

Дорога с рядами деревьев по обеим сторонам называется...

Когда мы путешествуем мы несём ....

В школах, университетах преподают...

Лев решил поступить на педагогический факультет. Кем он хочет стать?

Виктория очень любит читать классическую литературу, поэтому она ходит в .....

### 13. Руски (Прв странски јазик) - Општо образование

Прашање

Где попуае десерт?

Ваня и Катя поехали в Москву на .....

Какое слово обозначает транспортное средство для путешествия воздухе?

Из овощей тебе больше всего нравятся...

Какое слово не связано со спортом?

Всем советуем спать на удобную...

Каждый из нас любит фрукты. Мой сын любит...

Сегодня мы идём в театр смотреть ....., „Евгений Онегин“.

В воскресенье они ходят в ..... обедать.

Я часто хожу на стадион смотреть игры „Вардара“ потому что я...

Сегодня мы идём на стадион смотреть...

Я хочу пойти в музей, поэтому должна купить...

Хоккей-это...

### 13. Руски (Прв странски јазик) - Општо образование

Прашање

Летом каждый человек старается одеть .....

Аночка не могла есть суп , потому что не могла найти...

Чтобы снабдиться основными продуктами, надо пойти в....

Подруги договорились вечером пойти в театр. Что они должны купить?

Здание в котором живёт семья Ивановых состоится из трёх этажей. Какое это здание?

Где ты можешь купить одежду?

Наша тётя и дядя живут рядом. Что значит жить рядом?

Хороший ..... нужен спортсменам волейболистам.

Когда льёт сильный дождь, нам надо брать....

Александр любит свою сиамскую кошку Алису. Сиамская кошка это...

Какими должны быть лётчики?

Завтра выходные дни. Мои друзья и я пойдём в спортивный зал смотреть.....



### 13. Руски (Прв странски јазик) - Општо образование

Прашање

У елки есть...

Подчёркнуто слово в предложении „Книга лежит на столе“ обозначает:

Подчёркнутые слова в предложении: „Зоран переписывается с Мирой“ обозначают:

Какой глагол находится в неопределенной форме?

У.....есть брат и сестра.

Как правильно пишется порядковое числительное 5?

Определите какой глагол находится в прошедшем времени.

Выбери подходящее слово. На скамейке возле ..... сидело несколько мальчиков.

У меня много ...

Каждое утро я ем по одной булочке, а сегодня... две.

Ваш двор очень ....

### 13. Руски (Прв странски јазик) - Општо образование

Прашање

На стадионе играют футбол.Сколько ..... в вашей команды

В универсальном магазине подруга купила себе.....

Учительница не верила .....

Вертолёт ..... машины.

Игорь ехал в Красноярск с родителями. Задай вопрос к слову родителями.

Дай ответ. Мой брат родился.....

Мы.....на берегу Преспанского озера...

Каждый день мы умываемся и .....

На сцене ни один актёр не ..... как играет свою роль.

Я учусь в первом классе ...

Девушки..... хорошо.

Студенты перестали общаться с.....преподавателем.

..... спектакль тебе нравится?

### 13. Руски (Прв странски јазик) - Општо образование

Прашање

Сестра моей подруги, выгледит гораздо.....своих лет.

Друзья после обеда ..... в читальном зале.

Ученица ничего не выучила и..... не запомнила.

Это папина комната. Поставь вопрос к подчёркнутому слову.

Моя дочка родилась .....1995 года.

Автобус едет за.....

У дочери друг. Она часто встречает..... друга вечером.

Подруги часто..... зимние каникулы.

Туристы сидят на .....

В субботу мы ..... на экскурсию.

Завтра я ..... гимнастику.

Моя сестра ..... девушка в нашем районе.

Что ..... больше любим цирковые представления или книги.

При знакомстве мы говорим ...

### 13. Руски (Прв странски јазик) - Општо образование

Прашање

Попроси друга помоћ тебе решити тест!

Как правилно поздравити друга с именинами?

Что пожелаеш твоим родителјам на Новый год?

Как мы приветствуем друг друга утром?

Спроси у незнакомого как дойти до метро.

Ты вошёл в магазин. Продавец обращается.

Друзья решили встретиться в центре города. Встреча должна быть в десять часов, но Иван не смог прийти. Он позвонил по телефону и попросил извинение:

Поздравь Нину с днём рождения!

Пётру нужна помощь. Я радо помогу ему. Какими словами предложишь помощь?

Что пожелаеш твоей девушке на новый год?

В книжном магазине вежливо попроси продавца показать книгу.....

Валя и Миша приглашают на спектакль. Вырази согласие.

### 13. Руски (Прв странски јазик) - Општо образование

Прашање

Какой самый известный театр балета в мире? – спросили балерину. Как она выразила неуверенность?

Попроси продавца показать тебе лыжи.

У мамы новая рубашка. Как ты сделаешь ей комплимент.

Три дня тому назад. Наташа дала обещание бабушке убрать квартиру. Её подруга позвала в кафе, но она отказала ей словами:

Какими словами надо поблагодарить своего преподавателя?

Вам надо доехать до вокзала. Как спросить?

Спроси, как дойти до Третьяковской галереи?

Как пригласите своих родственников к вам в гости?

Брат и сестра договорились пойти на спектакль, но сестра не смогла пойти. Как она извинилась?

Кто-то позвонил тебе по телефону по ошибке. Что ты скажешь?

Дайте отрицательный ответ: Ты прочитал этот журнал?

### 13. Руски (Прв странски јазик) - Општо образование

Прашање

На аеропорте дочь прощается с родителями. Какими словами выражаются?

Ответ отрицательно. Она приехала из Ермении.

Твои друзья уезжают на поезде в другой город. При расставании, что ты им скажешь?

Ваши друзья уезжают в Казахстан. Вы расстанётесь с ними, что им скажете?

Телефон звонит по ошибке. Что ты скажешь?

Как доктор отвечает на благодарность пациента?

Фильм который смотрел Дмитрий, не понравился особенно ему. Вырази согласие .....

Моника Селеш известная теннисистка думает, что надо больше времени уделять на развлечения . Вырази согласие.

В хлебном магазине обращаешься продавцу...

Внимание! Сегодня после уроков состоится концерт учеников нашей школы. Приглашаем всех желающих. Какой это текст?

### 13. Руски (Прв странски јазик) - Општо образование

Прашање

Дорогой друг Виктор. Сегодня вечером я прилетел в Канаду. Здесь очень приятно и мне очень нравится. До встречи. Привет Владимир.  
Какой это текст?

Нина любит классический балет и пианино. Чем она занимается в свободное время?

Сегодня молодые любят заниматься спортом, любят играть в шахматы. Надежда тоже любит играть, но она хочет всегда выигрывать. Это значит что она хочет в игре быть.....

Каждое лето Иван и Игорь гостят у бабушки и дедушки в деревне. Где они отдыхают?

Каждый день семья Маши ужинает ровно в восемь часов вечера. Она как и всегда опаздывает на ужин. Что должна знать Маша?

Родители Виктории живут в Киеве, но она их навещает раз в год. Как часто Виктория навещает родителей?

Игорь Иванович сидел в спортивном зале и читал книгу о баскетболе. Соревнование было интересное, но Игорь Иванович ничего не замечал. Он всё время был занят чтением книги. Чем занимался Игорь Иванович в спортивном зале?

Завтра третий класс будет играть с четвёртым классом волейбол. Миша заболел. У него высокая температура. Почему Миша не может играть в волейбол?

### 13. Руски (Прв странски јазик) - Општо образование

#### Прашање

Наташа и Лена живут в прекрасной, светлой и уютной квартире. Их комната большая. Слева у стены стоит диван, а над ним полка с книгами. Где находится полка с книгами?

Нина была на прекрасной прогулке. Она с Ваней осматривали памятники Санкт Петербурга. Как она чувствует себя после прогулки?

Мама и я долго смотрели на свои фотографии. Одно поняла я – что нужно одеваться скромно, соответственно возрасту. Как нужно одеваться?

Доминик студент. Он приехал из Португалии в Македонию. Он программист и сейчас изучает язык, слушает кассеты, переводит слова. Что изучает Доминик?

Доминик приехал из Португалии в Македонию. Он программист и сейчас изучает язык, слушает кассеты, переводит слова. Кем был Доминик?

Олина приехала с отдыха. Она нам сказала что отдыхала на море. Ей там было очень приятно. Где была она?

Филип не успел войти в автобус, поэтому решил пойти пешком до школы, на занятиях пришёл поздно, шёл второй урок. Почему не успел прийти на первый урок?

Владимир хотел ехать на автобус, но заметил что у него нет билета в кармане. Что у него нет?

Как и многие, я тоже боюсь высоты, особенно когда шатаются под ногами камни. Мне как-то неприятно становится. Поэтому решил дальше не идти, а вернуться назад. Чего боялся мальчик?



### 13. Руски (Прв странски јазик) - Општо образование

Прашање

Мария рисуе море. По морю плывёт пароход, а над морем, высоко в небе, летит самолёт. Этот рисунок Мария должна показать учителю. Кому Мария должна показать рисунок?

Младен Цветнович, машинист самого первого поезда Белград – Бар. Ему коллектив железнодорожников, тайным голосованием, оказал доверие первым провести поезд по новой дороге.  
Кто первый провёл поезд?

Младен Цветнович, машинист самого первого поезда Белград – Бар. Ему коллектив железнодорожников, тайным голосованием, оказал доверие первым провести поезд по новой дороге. Каким голосованием оказали доверие?

Младен Цветнович, машинист самого первого поезда Белград – Бар. Ему коллектив железнодорожников, тайным голосованием, оказал доверие первым провести поезд по новой дороге.  
Кто указал доверие?

Горан хороший ученик, но из-за недисциплины учитель был вынуждён поставить ему единицу. Почему Горан получил единицу?

Вчера было воскресенье. Мы все отдыхали. Только Вовка был в цирк. Сегодня мы опять отправляемся в школу. Какой сегодня день?

Как понимаешь пословицу – „В закрытый рот не влетают мухи“.

### 13. Руски (Прв странски јазик) - Општо образование

Прашање

На нашем рынке много продуктов. Из деревень привозят большое количество свежего молока, вкусного сыра, творог, хорошего мяса и другого разного товара. Это всё для городского населения. Откуда привозят всё что продаётся на рынке?

На нашем рынке много продуктов. Из деревень привозят большое количество свежего молока, вкусного сыра, творог, хорошего мяса и другого разного товара. Это всё для городского населения. Какие продукты продают на рынке?

Лидия учила брата Виктора считать. У тебя три шоколады и у меня три шоколады. Сколько у тебя и у меня шоколады? Шесть – ответил Виктор и съел шоколады.  
Что учила Лидия брата?

Лидия учила брата Виктора считать. У тебя три шоколады и у меня три шоколады. Сколько у тебя и у меня шоколады? Шесть – ответил Виктор и съел шоколады. Брат Лидии учился считать на....

Моя собака Лиза добрая. Все думают, что собаки очень злые. Какое животное Лиза?

Моя собака Лиза добрая. Все думают, что собаки очень злые. Что думают все?

В магазинах выходной день – воскресенье, а в музеях – понедельник. Что такое выходной день?

Наша новая школа, светлая и красивая. Уроки физкультуры проводим во дворе. Что не построили для учеников?

### 13. Руски (Прв странски јазик) - Општо образование

Прашање

Москва важный транспортный центр России. В Москве четыре аэропорта, семь железнодорожных вокзалов. Сколько аэропортов в Москве?

Москва важный транспортный центр России. В Москве четыре аэропорта, семь железнодорожных вокзалов. Сколько вокзалов в Москве?

Николичам надо было пойти на почту. Маша и Ира хотели купить марки, открытки, конверты и написать письма в Македонии, а Вера хотела дать телеграмму в Москву. Что хотели купить на почте Маша и Ира?

Николичам надо было пойти на почту. Маша и Ира хотели купить марки, открытки, конверты и написать письма в Македонии, а Вера хотела дать телеграмму в Москву. Куда они хотели написать письма?

Николичам надо было пойти на почту. Маша и Ира хотели купить марки, открытки, конверты и написать письма в Македонии, а Вера хотела дать телеграмму в Москву. Куда Вера хотела дать телеграмму?

Мои родители не видели меня два года, а когда увидели очень обрадовались. Чему обрадовались мои родители?

**Что нужно взять когда отправляетесь в поход?**

**Из Белграда в Москву мы ехали ...**

**В моём .... не было ни одной копейке.**

### 13. Руски (Прв странски јазик) - Општо образование

Прашање

**Что обозначает слово тропинка?**

**Синоним к слову судьба - ...**

**Миша поедет на ... в кино.**

**В строительств  
е  
работает ...**

**Раз в неделю мы обедем ...**

**Моя бабушка и дедушка это .....**

Миша написал письмо и он должен ...

**В ресторанах всегда большой...**

**У кого можно узнать есть ли свободный стол в ресторане?**

### 13. Руски (Прв странски јазик) - Општо образование

Прашање

**Где ключ от ....?**

Наша школа находится на улице ...

Где играют футбол игроки - футболисти?

Дети обычно часто идут в ... за сладостями.

**Подчёркнутое слово в предложении: Маша надела валенки, обозначает:**

**Мой друг живёт рядом с мной. Что значит слово рядом?**

**Подчёркнутое слово в предложении: Атанас прислал из Китая письмо, обозначает:**

**Найди неопределённую форму глагола.**

**Я прочитал все .... рассказы.**

### 13. Руски (Прв странски јазик) - Општо образование

Прашање

**Павел высказал ему .... мнение о них.**

Моя юбочка ..... твоей.

**Вчера друзья были ..... на концерте.**

**Образуйте настоящее время от глагола жить.**

**Я люблю ..... эстрадную музыку.**

**Окончив факультет, мой друг будет ....**

**Ответ отрицательно. Кто выходил из класса?**

**Я советую .... выздороветь.**

**Он стоит в коридоре и ..... разговаривает.**

**Я хочу, ..... вы прочитали эту книгу.**

### 13. Руски (Прв странски јазик) - Општо образование

Прашање

**Цветы погибли ..... долго не било дождя.**

**Мы делали домашнее задание ...**

**Если я закончу скоро работу ...**

**Его им  
я  
Алексей, имя отца Сергей, отчество будет ....**

**Извините, пожалуйста, вы не скажете, как пройти к улице Пушкина?  
Ответьте и дайте информацию как пройти к улице.**

**Ответьте на вопрос отрицательно. У вас есть младшие братья и сёстры?**

**Николай хочет узнать который час. Как он должен спросить?**

### 13. Руски (Прв странски јазик) - Општо образование

Прашање

**В продуктивный магазин вошёл Игорь. Как спросит продавца? Вырази это.**

**В учительской комнате сидело несколько учителей. Учитель математики представил себя новым коллегам:**

**Каким словами поздравляемся в праздничный вечер – встреча Нового года?**

**Как спросишь у прохожего какое сегодня число?**

**Горан пришёл раньше тебя. Как спросишь когда пришёл Горан?**

**Стало очень поздно и мы решили идти спать. На прощание говорим:**



### 13. Руски (Прв странски јазик) - Општо образование

Прашање

**Виктор не смог решил  
упражнение и просит помощи. Как он может  
развить это?**

**Ты пьёшь  
кофе  
каждое утро? Ответь положительно.**

**Ты любишь мыть посуду? Ответь отрицательно.**

**Я хотел бы остановиться в этой гостинице. Есть ли у вас свободные  
номера? Ответь положительно.**

**Маша вошла в кондитерскую купить булочки. Как сказала продавцу?**

**Дуня выходит замуж? Ответь положительно.**

### 13. Руски (Прв странски јазик) - Општо образование

Прашање

**Мира прашається с мамой. Как выразишь?**

**Саша зашёл в книжном магазине купить книги для детей. Как спрашивает продавщицу?**

**Михаил Васильевич Ломоносов считал себя в первую очередь химиком, но он сделал важные открытия и в других областях науки, как в физике, геологии, географии, математике, астрономии.**

**В каких областях од сделал важные открытия?**

**Михаил Васильевич Ломоносов считал себя в первую очередь химиком, но он сделал важные открытия и в других областях науки, как в физике, геологии, географии, математике, астрономии.**

**Кем считал себя в первую очередь Ломоносов ?**

### 13. Руски (Прв странски јазик) - Општо образование

Прашање

**Мой друг Ваня и я решили совершить лыжную прогулку на Ленинские горы. Надели лыжные костюмы, шапочки, на спортивной базе взяли лыжи и лыжные ботинки.**

**Куда пошли друзья?**

**Мой друг Ваня и я решили совершить лыжную прогулку на Ленинские горы. Надели лыжные костюмы, шапочки, на спортивной базе взяли лыжи и лыжные ботинки.**

**Что они надели?**

**Анна идёт по улице. Она занята своими мыслями и никого не замечает.**

**Чем Анна занята?**

### **13. Руски (Прв странски јазик) - Општо образование**

Прашање

**Анна идёт по улице. Она занята своими мыслями и никого не замечает.**

**Замечает ли она кого-нибудь?**

**Максима влекло на Волгу к музыке трудовой жизни, это музыка и до сего дня приятно охмеляет сердце моё, мне хорошо памятен день, когда в первые почувствовал героическую поэзию труда.**

**К чему влекло Максима?**

### 13. Руски (Прв странски јазик) - Општо образование

Прашање

**Максима влекло на Волгу к музице трудовој жизни, это музыка и до сего дня приятно охмеляет сердце моё, мне хорошо памятен день, когда в первые почувствовал героическую поэзию труда.**

**Помнит ли Максим до этого дня эту музыку?**

**Среди высоких гор, в глубокой древней котловине, которая находится на южной границы Македонии, притаилось сказочное зеленовато-лазурное озеро которое называется Охридское озеро.**

**Какое это озеро?**

### 13. Руски (Прв странски јазик) - Општо образование

Прашање

**Среди високих гор, в глубокой древней котловине, которая находится на южной границы Македонии, притаилось сказочное зеленовато-лазурное озеро которое называется Охридское озеро.**

**Среди каких гор и какой котловине находится Охридское озеро?**

**Говорят, что одни люди рождаются героями, другие ими становятся. Может быть, это верно и по отношению к учёным. По природе не были предназначены для умственного труда, но им пришлось этому научиться, а остальное самим сделать. Что говорят люди?**

**Сегодня кончился и последний урок последнего дня нашей школьной жизни. Впереди ещё долгие и трудные экзамены, но уроков больше никогда не будет. Что кончилось сегодня?**

### 13. Руски (Прв странски јазик) - Општо образование

Прашање

**Ребята задржались в школе, потому что заканчивали выпуск стенной газеты. Когда они вышли, уже смеркалось. Падал снег, между тем усиливался. Они забеспокоились, зная, как жестоки степные сибирские метели.**

**Почему ребята задржались в школе?**

**Ребята задржались в школе, потому что заканчивали выпуск стенной газеты. Когда они вышли, уже смеркалось. Падал снег, между тем усиливался. Они забеспокоились, зная, как жестоки степные сибирские метели.**

**Почему ребята забеспокоились?**

**У учеников – разные виды в неклассной работы. Они занимаются в литературном кружке, в драматическом кружке, в кружке фотолюбителей, в музыкальном и других кружках. Маша занимается в музыкальном кружке, потому что очень любит музыку. В каком кружке занимается Маша?**

### 13. Руски (Прв странски јазик) - Општо образование

Прашање

**Уже год учился играть Саша на скрипке у самого хорошего в городе скрипача. Играть ему было трудно – совсем не слушались пальцы. Скрипач брал Сашину руку, долго мял его пальцы и говорил: „ Больше играй упражнения, тогда пальцы будут слушаться.“**

**Сколько лет учился Саша играть на скрипке?**

**Уже год учился играть Саша на скрипке у самого хорошего в городе скрипача. Играть ему было трудно – совсем не слушались пальцы. Скрипач брал Сашину руку, долго мял его пальцы и говорил: „ Больше играй упражнения, тогда пальцы будут слушаться“.**

**У кого училися Саша играть на скрипке?**

**В Восточной Македонии расположено самое маленькое из всех озер, Дойранское. Одной из туристических редкостей этого края является рыболовство „с помощью птиц“. Что является туристической редкостью этого края?**



### 13. Руски (Прв странски јазик) - Општо образование

Прашање

Милан закончил юридически факултет. Кем он работет сега?

8-ого Марта мы празнуем...

Какое дерево у нас является новогодним?

Длинная, прямая и широкая улица, называется...

Как называется сумка в которой носим книги, тетради?

В гостиницах и ресторанах, гостей обслуживает...

Николай поступил на экономический факультет. Он хочет стать...

Очень хочу читать книги и поэтому я хожу в...

Я хочу узнать об авторе этой книги, поэтому читаю его...

Друзья решили пойти в кино. Что они должны купить?

День сегодня очень...

Мы поехали в Охрид на ...

Обычно мы после обеда отдыхаем...

### 13. Руски (Прв странски јазик) - Општо образование

Прашање

Моя сестра живёт рядом. Что значит жить рядом?

Спортсменам – баскетболистам нужен хороший баскетбольный...

На спектакле ни одна балерина не...мне.

В аудитории...

Они ... отлично.

Саша перестал общаться с...студентами.

...музыку ты любишь?

Байкалское озеро ... озеро в мире.

Моя двоюродная сестра выгладит гораздо...своих лет.

После занятий друзья ... по городу.

Дети выйдут во двор играть ... не будет дождя.

Олег Петрович живёт в доме, который состоится из двух комнат. Какой это дом?

Нам помогут организовать путешествие в иностранстве...

### 13. Руски (Прв странски јазик) - Општо образование

Прашање

Он ничего не знает и ... не помнит.

Ето мамина книга. Задай вопрос к подчёркнутому слову.

У них никогда нет....

Ты родилась... 1995 года.

Трамвай едет за ...

Сибирская область... в России.

У Андрея подруга. Он часто встречается...подругу вечером.

Мы часто... о летнем отдыхе.

Зрители сидят в...

В воскресенье я обязательно ... в кино.

Сегодня вечером я ... интересную книгу.

Мой друг ... ученик в нашем классе.

Что... больше люблю кино или театр?

### 13. Руски (Прв странски јазик) - Општо образование

Прашање

Как вежливо попросите официјанта принести меню?

В комнате Вали письменный стол. На столе лежат книги, тетради, карандаши. Что есть на столе?

Что тебе советует твой врач, когда у тебя грипп?

Тебя приглашают в кино. Как выразишь своё согласие?

Какая лучшая рокк-группа в мире? - спросили музыканта. Свою неуверенность он выразил так...

Как вежливо попросить продавца показать коньки?

Твоя подруга купила себе новое платье. Как ты сделаешь ей комплимент?

У тебя грипп. Что советует врач тебе?

У тебя высокая температура. Как ответишь на вопрос "Как ты себя чувствуешь?"

Мария дала обещание маме убрать свою комнату. Ее подруги позвали ее в кафе, но она отказала им словами:

Алёша хочет поблагодарить свою учительницу словами:

### 13. Руски (Прв странски јазик) - Општо образование

Прашање

Тебе надо доехать до остановки "Университет". Как спросишь?

На вокзале працаются друзья. Как выражаются?

Спроси, как дойти до Большого театра.

Пригласи своих друзей к тебе в гости. Как выразиш это?

Хочешь узнать который час. Обратись незнакомому с вопросом.

Мария купила красную шерстяную кофточку и лёгкую белую блузку. Сделай комплимент.

Привет, Даша! Сколько лет, сколько зим. Это выражение означает ...

Кате 18 лет. Она любит классическую литературу и скрипку. Чем она занимается в свободное время?

Много молодежи любят играть в шахматы и домино. Виктор тоже любит играть, но он хочет всегда выигрывать. Это значит, что он хочет в игре быть...

Анна и Коля гостят у Вани в деревне. Где отдыхают Анна и Коля?

Семья Саши обедает ровно в два часа. Он как всегда опаздывает на обед. Что должен знать Саша?

### 13. Руски (Прв странски јазик) - Општо образование

Прашање

Уважаемый мой друг Володя. Я прилетел в Китай. Летал через Индию и Среднюю Азию. Здесь очень приятно и мне нравится. До встречи. Привет Кирил. Какой это текст?

Уважаемый мой друг Володя. Я прилетел в Китай. Летал через Индию и Среднюю Азию. Здесь очень приятно и мне нравится. До встречи. Привет Кирил. Где находится Кирил?

Какое значение имеет пословица "Повторение-мать учения". Повторение нам помогает...

А что такое радуга? – спросила. Это божья кровь, - ответил дедушка. - Да нет, это божья душа! - сердито сказала бабушка. Когда Маша стала взрослой поняла, что это закон природы. Старики считали, что радуга это божья кровь и божья душа, потому что...

А что такое радуга? – спросила. Это божья кровь, - ответил дедушка. Да нет, это божья душа - сердито сказала бабушка. Когда Маша стала взрослой, поняла что это закон природы. Когда Маша поняла что это закон природы?

Родственники Антона живут в Москве, но он их навещает два раза в год. Как часто Антон навещает родственников?

Горан хороший ученик, но из-за недисциплины учитель был вынуждён поставить ему единицу. Почему Горан получил единицу?

Сегодня молодые мечтают стать артистами. Они думают, что киноартисты очень известны в мире. Почему молодые хотят стать артистами?

### 13. Руски (Прв странски јазик) - Општо образование

Прашање

Андрей Иванович сидел на стадион и читал книгу о футболе. На стадионе занимались футболом. Матч был очень интересный, но Андрей Иванович ничего не замечал. Он все время читал книгу. Каким спортом занимались на стадионе?

Андрей Иванович сидел на стадион и читал книгу о футболе. Матч был очень интересный, но Андрей Иванович ничего не замечал. Он всё время читал книгу. Чем занимался Андрей Иванович на стадионе?

Январь зимний холодный месяц. Ни детям, ни родителям не холодно. В субботу и в воскресенье, сотни людей выходят кататься на лыжах и коньках. Кто не боится холода?

В семье Саши обедают ровно в два часа. Он опять опоздал. Что Саша должен знать?

Сегодня первоклассники играют в футбол со вторым классом. Виктор не может играть, он болен. Его болит горло. Почему Виктор не может играть в футбол?

У Петровых приехали гости. Они сидят за столом и ужинают. Только у дяди Ивана нет аппетита. Он ел в автобусе. Почему дядя Иван не ужинает?

Повторение – мать знаний. Повторение нам помогает. Какое значение этой пословицы?

### 13. Руски (Прв странски јазик) - Општо образование

Прашање

Здравствуй, мама! Как у тебя дела? У меня всё нормально. Я уже в Москве 3 дня. Я живу в гостинице «Националь». Это в центре. Сегодня я первый раз работал в офисе. Потом я был в ресторане. Я и мои русские коллеги обедали там. Я ел борщ (это русский традиционный суп), пельмени (это как равиоли) и пил морс. Это очень вкусно. Вечером я был в театре. Я думаю, что это «Большой театр», но я не знаю. Там я смотрел балет. Очень интересно. А сейчас я очень устал.  
До свидания, мама.  
Твой сын Джон. Где работает Джон?

Ответь отрицательно на вопрос: Ты уже прочитал газету?

Мой дом очень красивый, светлый, уютный. Моя комната небольшая. Справа у стены стоит диван, над ним полка с книгами. Где находится полка с книгами?

Маша была на прекрасный спектакль балета, в Большом театре. Как Маша чувствует себя после спектакля?

Тебе нужно позвонить по телефону Мише. Трубку взял его отец. Как ты скажешь?

Маша и Алёша пошли в ресторан обедать. К ним подходит официант. Алёша попросил у него....



## 14. Физика - Општо образование

Прашање

**Брзината на нишало кога минува низ рамнотежната состојба е:**

**Периодот кај математичкото нишало:**

**Ако амплитудата на осцилациите се намалува станува збор за:**

**Фреквенцијата на осцилаторното движење:**

**Мерна единица за фреквенција е:**

**Кога на осцилаторот дејствува надворешна периодична сила, осцилациите се:**

## 14. Физика - Општо образование

Прашање

**Тело кое осцилира, кога ќе се смири се наоѓа во:**

**Кога нишалото е во амплитуда:**

Формулата  $T = 2\pi\sqrt{\frac{m}{k}}$  го одредув:

**Вкупната енергија хармонично осцилаторно движење секогаш е:**

**Ако осцилаторот минува низ рамнотежната положба:**

**Кај механичките осцилации  
и  
врската помеѓу периодот  $T$  и фреквенцијата**

$f$   
**е дадена со изразот**

## 14. Физика - Општо образование

Прашање

**Моменталниот отклон на нишалото од рамнотежна положба кај осцилаторно движење претставува:**

**Максималниот отклон на нишалото од рамнотежна положба кај осцилаторно движење претставува:**

**Бројот на осцилации во една секунда се вика:**

**Времето потребно да се направи една осцилација се вика:**

**Нишалото изведува придрушени осцилации ако:**

**Во моментот кога нишалото минува низ рамнотежната положба, неговата кинетичка енергија е:**

**Механичките осцилации може да бидат:**

**Кога математичкото нишало е во амплитуда, тогаш:**

## 14. Физика - Општо образование

Прашање

**Механичка резонанција е појава на:**

**Периодот кај математичко нишало:**

**Брзината на нишало кога минува низ рамнотежната состојба е:**

**Вкупната енергија кај хармоничното осцилаторно движење зависи:**

**Фреквенцијата од  $120\text{kHz}$ , изразена во основната мерна единица за фреквенција, изнесува:**

**Математичкото нишало е:**

## 14. Физика - Општо образование

Прашање

**Ако нишалото со период 2**

**s**

**има должина**

**L**

**,**

**колкава е должината на математичкото нишало со период 4**

**s**

**:**

**Периодот на пружина со маса**

**m**

**и константа на еластичност**

**k**

**се пресметува со равенката:**

**Ако периодот на осцилирање на математичко нишало изнесува**

**0,5**

**s**

**, тогаш неговата фреквенција е:**

**Вкупната енергија на математичкото нишало во секоја моментална положба е:**

**Местото каде настанува и започнува ширењето на бранот се вика:**

## 14. Физика - Општо образование

Прашање

**Висината на тонот е определена со неговата:**

**Во зависност од начинот на осцилирање на честиците, брановите се делат на:**

**Најголемата вредност на објективната јачина на звукот што може да ја поднесе човековото уво се вика:**

**Прагот на чујноста кај човекот е:**

**Границата на болка кај човекот при фреквенција од 1000Hz изнесува:**

**Енергијата на бранот, која се пренесува за единица време низ единица површина нормална на правецот на ширење на бранот се вика:**

**Субјективната јачина на звук се мери во:**

## 14. Физика - Општо образование

Прашање

**Брзината на звукот:**

**Кога бранот преминува од една во друга средина:**

**Звучните бранови можат да бидат:**

**Инфразвуци се звуци со фреквенција:**

**Звукот се шири во:**

**Брзината на ширење на бран изнесува**

**330**

**m/s**

**, а периодот**

**2**

**s**

**, тогаш брановата должина изнесува:**

## 14. Физика - Општо образование

Прашање

**Ако**

$v$

**е брзината на простирање,**

$f$

**е**

**фреквенцијата на звучниот бран, тогаш брановата должина**

$\lambda$

**се пресметува со изразот:**

**Бранот со бранова должина од 1**

**0**

**0**

**mm**

**се шири со брзина од 85**

**0m/s**

**. Фреквенцијата на бранот изнесува:**

**Брзината на пренесувањето на електромагнетните бранови е:**

**Електричниот оцилаторен круг се состои од:**



## 14. Физика - Општо образование

Прашање

**Радари се уреди кои се користат за:**

**Периодот на електромагнетните осцилации со индуктивитет  $L$  и капацитет  $C$  се одредува со равенката:**

**Во спектарот на електромагнетни бранови, инфрацрвените електромагнетни бранови се наоѓаат помеѓу:**

**Електромагнетните бранови се:**

**Магнетна енергија кај електричните осцилации, соодветно кај механичките осцилации одговара на величината:**

**Периодот на електричните осцилации може да се зголеми:**

## 14. Физика - Општо образование

Прашање

Енергијата на електричното поле на кондензатор со капацитет од  $2 \mu\text{F}$  и напон од  $5 \text{ V}$  изнесува:

Две електрични осцилаторни кола со индуктивитети и капацитети соодветно

$L_1$

$C_1$

и

$L_2$

$C_2$

се во резонанција кога е исполнет условот:

$L_1 C_1 = L_2 C_2$

$L_1 C_2 = L_2 C_1$

$L_1 C_1 = L_2 C_2$

$L_1 C_2 = L_2 C_1$

$L_1 C_1 = L_2 C_2$

се во резонанција кога е исполнет условот:

Инфрацрвените зраци имаат:

## 14. Физика - Општо образование

Прашање

**За електромагнетните бранови може да се каже дека:**

**Магнетната енергија на намотката со индуктивитет од  
0,2  
H  
,  
кога низ неа тече струја со јачина од  
40  
m  
A  
изнесува:**

**Енергијата на електричното поле на кондензатор со капацитет од  
5nF  
и напон  
од 2V  
изнесува:**

## 14. Физика - Општо образование

Прашање

**Магнетната енергија на намотката со индуктивитет  $1\text{H}$ , ако низ неа тече струја со јачина  $1\text{A}$ , изнесува:**

**Ликот добиен со рамно огледало секогаш е:**

**Формирањето на сенка и полусенка се потврда на законот за:**

**Зраците кои се одликуваат со топлинско дејство се викаат:**

**Растурната леќа секогаш дава:**

**Лупата се користи за:**

**Најмалата енергија на електромагнетното зрачење се вика:**

## 14. Физика - Општо образование

Прашање

**Појавата на сложување на два или повеќе кохерентни бранови, се вика:**

**Ако предметот е поставен во фокусот на сферно огледало, тогаш:**

**При премин на светлинскиот зрак од оптички погуста во оптички поретка средина, тој:**

**Светлинскиот зрак кој поминува низ фокусот на леќата, по прекршувањето низ леќата:**

**Светлинскиот зрак кој минува низ центарот на леќата:**

## 14. Физика - Општо образование

Прашање

**Ако**

$f$

**е фокусно растојание,  $a$**

**е растојание од предметот до леќата,**

$b$

**е растојание од ликот до леќата, тогаш равенката за тенка леќа гласи:**

**Ако фокусното растојание е  $f$ , тогаш јачината на леќата е:**

**Конвексното огледало секогаш дава:**

**Појавата на избивање на електрони од металите под дејство на електромагнетно зрачење се вика:**

**Енергијата на електромагнетното зрачење зависи:**

**Црвената граница на фотоефектот претставува:**

## 14. Физика - Општо образование

Прашање

**Кинетичката енергија што ја добиваат електроните во појавата на фотоефект за да ја напуштат површината на металот:**

**Работата што треба да се изврши при фотоефектот за да може електронот да ја напушти површината на металот се вика:**

**Појавата на дифракција може да се набљудува:**

**За определување на концентрацијата на шеќер во даден раствор, се користи појавата:**

**Спектарот на белата светлина се добива со:**

**Интерференција на светлината претставува:**

**Виножитото во природата е резултат на:**

## 14. Физика - Општо образование

Прашање

Ако  $A_i$

претставува излезната работа на металот,  $E_{ke}$

к

инетичката енергија што ја добиваат електроните, тогаш енергијата на фотонот

$hf$

,

согласно равенката за фотоефект, е дадена со изразот:

Фатаморганата е појава која се должи на:

Електромагнетните бранови кои создаваат витамин Д се викаат:

Јачината на леќата со фокусно растојание од 5cm изнесува:

Електромагнетното зрачење со фреквенција од  $5 \cdot 10^{14} \text{Hz}$ , има енергија :



## 14. Физика - Општо образование

Прашање

Ако упадниот агол се зголеми за  $30^\circ$ , тогаш согласно законот за одбивање на светлината, аголот помеѓу упадниот и одбиениот зрак:

Ако зголемувањето на лупата е 8, а добиениот лик е 24cm, тогаш големината на предметот е:

Ако предметот е на растојание од 2cm од леќата, а ликот се добива на растојание од 4cm од леќата, тогаш фокусното растојание на леќата изнесува :

Атомот е изграден од:

Кога електронот се движи по дозволената орбита, согласно со Боровите квантни постулати:

## 14. Физика - Општо образование

Прашање

**Протоните се:**

**Изотопи се јадра:**

**Силите на заемно привлекување на нуклеоните во јадрата се викаат:**

**Елементарно количество електричество е:**

**Електричниот полнеж на електронот изнесува:**

**Во зависност од емитираните честици постојат три вида радиоактивност:**

**Енергијата потребна за распаѓање на јадрото на одделни нуклеони се вика:**

Јадрото на олово  $Pb_{82}^{227}$  содржи :

**Во секој неутрален атом:**

## 14. Физика - Општо образование

Прашање

**Јадрената реакција при која доаѓа до делење на тешките атомски јадра, се вика:**

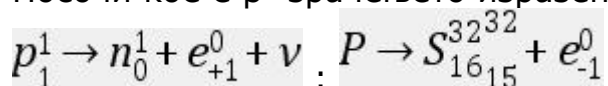
**Временскиот интервал за кој се распаѓаат половина од почетниот број радиоактивни јадра се вика:**

**Активноста на радиоактивното јадро се дефинира како:**

**Перодот на полураспаѓање е:**

**При  $\beta$ -радиоактивен распад, од јадрото на радиоактивниот елемент се емитира:**

Посочи кое е  $\beta$ -зрачењето изразено со равенките: 1.  $n_0^1 \rightarrow$  2.  $n_1^1 + e_{-1}^0 + \nu$  3.



**При алфа радиоактивно распаѓање се емитира:**

## 14. Физика - Општо образование

Прашање

**Детектирање на радиоактивно зрачење се врши со:**

**Ако осцилаторот осцилира со фреквенција од 1 херц, тогаш:**

**Осцилаторното движење под дејство на сила која е  
правопропорционална на елонгацијата се вика:**

**Ако математичко нишало со период 3**

**s**

**има должина**

**L**

**,**

**тогаш должината на нишалото со период 6**

**s**

**е:**

**Ако математичко нишало прави**

**12**

**осцилации за една минута, неговиот период на осцилирање изнесува:**

**Осцилаторот со период 4 секунди:**

## 14. Физика - Општо образование

Прашање

**Ако периодот на математичкото нишало се зголеми за два пати, фреквенцијата на нишалото ќе се:**

**Границата што ги одделува честичите што осцилираат од оние што сеуште не почнале да осцилираат се вика :**

**Пренесувањето на осцилациите во еластична средина се вика:**

**Една брановата должина на бранот е:**

**Брановите кај кои честичите осцилираат нормално на правецот на ширење на бранот се:**

**Најмалата вредност на објективната јачина на звукот што може да ја слушни човековото уво се вика:**

**Звучните бранови со фреквенција од 16Hz до 20kHz се звуци кои:**

## 14. Физика - Општо образование

Прашање

Со мерната единица 1 бел (B) се мери:

Праг на чујноста кај човекот за фреквенција од 1000 Hz изнесува:

Брановите кај кои честиците осцилираат во правец на правецот на ширење на бранот се викаат:

Ултразвукот има фреквенција:

Во неограничена хомогена средина може да се шират:

Ако бранот се шири со брзината  
210  
m/s  
, а периодот на бранот е  
6  
s  
, тогаш брановата должина изнесува:

## 14. Физика - Општо образование

Прашање

**Звучен бран со фреквенција од 800Hz и бранова должина од 0,5 m, во средината се шири со брзина:**

**Појавата на сложување на кохерентни бранови се вика:**

**Сопствената фреквенција на електрично осцилаторно коло, каде  $L$  претставува индуктивитетот на калемот,  $C$  капацитетот на кондензаторот е дадена со изразот:**

**Кога во праволиниски проводник се создадат електромагнетни осцилации**

**, во околината се шират  
:**

**На масата кај механичките осцилации, аналогна величина кај електричните осцилации е:**

## 14. Физика - Општо образование

Прашање

**Векторот на јачина на електричното поле и векторот на магнетната индукција кај електромагнетните бранови, меѓусебно се:**

**Видливата светлина за човекот е дел од спектарот на електромагнетни бранови, со бранова должина:**

**Во идеално електрично осцилаторно коло доаѓа до претворање на:**

**Телевизијата претставува систем на предавање и прием на слика со помош на:**

**Со намалување на растојанието меѓу плочите на кондензаторот во електрично осцилаторно коло, може да се:**

**Ултравиолетовите зраци во спектарот на електромагнетните бранови се сместени помеѓу:**



## 14. Физика - Општо образование

Прашање

**Сите видови електромагнетни бранови се шират со:**

**Брзината на ширење на електромагнетните бранови во вакуум е:**

**Уредот кој со помош на електромагнетни бранови ја определува локацијата на објекти, се вика:**

**Во електричен осцилаторен круг, напонот се менува по законот:**

**Во електрично осцилаторно коло:**

**Системот кој со помош на електромагнетни бранови пренесува звук, се вика:**

**Двојната природа на светлината значи дека светлината ја разгледуваме како:**

**Брзината на светлината:**

## 14. Физика - Општо образование

Прашање

**Основна единица за јачина на светлина во SI е:**

**Во геометриската оптика светлината се претставува со:**

**Светлосен зрак паѓа нормално на граничната метална површина.  
Одбиениот зрак е:**

**Кога светлината поминува од оптички погуста во оптички поретка  
средина, тогаш аголот на прекршување е:**

**Ликот што го дава рамно огледало е:**

**Кога светлината поминува од оптички поретка во оптички погуста  
средина, брзината на светлината ќе:**

**Сферните огледала можат да бидат:**

## 14. Физика - Општо образование

Прашање

**Кај испакнатите огледала ликовите се:**

**Зголемувањето кај леќите е:**

**Собирната леќа ќе биде лупа ако предметот се наоѓа:**

**Микроскопот се состои од два најважни дела:**

**За прекршувањето на светлината, кога поминува од една во друга оптичка средина, важи:**

**Појавата тотална рефлeksiја се применува кај:**

**При прекршување на белата светлина врз оптичка призма, се добива:**

**Сахариметарот е апарат за мерење на количество на шеќер во крвта врз основа на појавата на:**

## 14. Физика - Општо образование

Прашање

**Сферно огледало со радиус од 40cm, има фокусно растојание од:**

**Тенките оптички леќи, според тоа како ги прекршуваат светлинските зраци, може да бидат:**

**Ако предметот има должина од 10cm, а ликот е 15cm, тогаш зголемувањето на леќата е:**

**Ако предметот се наоѓа на растојание од 1 m од рамно огледало, тогаш ликот ќе биде:**

**Јачината на леќата е:**

**Лупа претставува:**

## 14. Физика - Општо образование

Прашање

**Ако предметот има големина од 13 см  
, а ликот има големина од 39 см  
, тогаш зголемувањето на лупата е**

**Тенка леќа се вика леќата чија:**

**Светлинскиот зрак кој паѓа паралелно со оптичката оска на леќата:**

**Сферно огледало со фокусно растојание од 25cm има радиус на кривината од:**

**Ако леќата има фокусно растојание од 10 см  
, јачината на леќата ќе биде:**

## 14. Физика - Општо образование

Прашање

**Ако големината на предметот изнесува 30 см  
, а големината на ликот е 45 см  
, тогаш зголемувањето на лупата изнесува:**

**Фотоелектричен ефект е појава на:**

**Собирна леќа со јачина од 4D има фокусно растојание од:**

**Енергијата на еден квант се одредува со формулата:**

**Атомот е составен од позитивно атомско јадро и електрони кои се движат околу атомското јадро, според:**

**Неутроните се:**

**Појавата на спонтана емисија на наелектризирани честици и електромагнетни бранови од атомите на некои елементи се вика:**

## 14. Физика - Општо образование

Прашање

**Атомското јадро е составено од елементарните честици:**

**Единица за атомска маса е:**

**Неутронот е елементарна честица:**

Атомите  $H_1^1, H_1^2, H_1^3$  се:

**Нуклеарната енергија е енергијата што се:**

**Од јадрата на  $\beta$ -радиоактивните елементи се емитираат:**

Јадрата на оловото  $Pb_{82}^{206}, Pb_{82}^{207}, Pb_{82}^{208}$  се:

**Јадрената фузија е:**

**Во физиката на атомот се употребува единицата за енергија 1 електронволт (1eV):**

## 14. Физика - Општо образование

Прашање

**Атомската единица за маса изнесува:**

**При алфа распаѓање, атомот се трансформира така што:**

**Кај атомската нуклеарна бомба се случува:**

**Законот за радиоактивно распаѓање е:**

**Заокружи што се случува во јадрените реактори:**

**Вилсоновата комора е уред за:**

**Разликата меѓу масата на нуклеоните од едно атомско јадро кога се во слободна состојба и масата на атомското јадро во кое се наоѓаат истите нуклеони, се вика:**



## 14. Физика - Општо образование

Прашање

**Енергијата која се ослободува при соединување на слободни нуклеони во јадрото на атомот се вика:**

**Протоните и електроните се честици наелектризирани со:**

## 15. Француски (Втор странски јазик) - Општо образование

Прашање

Quel mot n'est pas lié au thème: Environnement?

Trouvez le mot qui signifie un état psychologique.

**Cochez le mot qui signifie un trait de caractère.**

**Quel mot est lié au programme télévisé?**

**Comment voyage-t-on par la mer?**

**On jette les ordures dans:**

## 15. Француски (Втор странски јазик) - Општо образование

Прашање

**Quel mot appartient au thème: Beautés naturelles?**

**Avant de partir en voyage nous préparons nos:**

Quel est le synonyme du verbe téléphoner ?

**Quel mot est lié au thème:Internet?**

**Trouvez le mot lié au thème: Voyage.**

**Quel est le synonyme du mot voiture?**

**Trouvez sa profession: Il dirige la circulation, il est \_\_\_\_\_.**

**Trouvez le mot correct pour finir la phrase: Vous devez partir en train ?  
Allez à \_\_\_\_\_ .**

**Terminez la phrase: Marie-Rose est à la station, elle va  
prendre \_\_\_\_\_.**

## 15. Француски (Втор странски јазик) - Општо образование

Прашање

**Trouvez le mot correct pour finir la phrase :**

**Votre robe est prête. Vous pouvez \_\_\_\_\_ .**

**Terminez la phrase: Il y a beaucoup de neige, on peut \_\_\_\_\_.**

**Continuez la phrase: On va dans une agence de voyage pour:**

**Trouvez le mot correct pour finir la phrase: Notre contrat est prêt. Vous pouvez-vous le \_\_\_\_\_ ?**

**Avant de l'envoyer, on met la lettre dans une:**

**Continuez la phrase: Je vais à la campagne pour admirer \_\_\_\_\_.**

**Continuez la phrase: J'aime jouer avec des jeux video sur \_\_\_\_\_.**

**Cochez l'adverbe de temps parmi les mots suivants.**

## 15. Француски (Втор странски јазик) - Општо образование

Прашање

**Quel verbe est conjugué au futur proche?**

**Choisissez le nombre ordinal 4.**

**Trouvez le verbe conjugué au conditionnel présent.**

**Quel est le verbe qui est conjugué au futur simple ?**

**Trouvez la préposition de lieu.**

**Quelle phrase indique un action au passé récent:**

**Dans quelle phrase on parle du passé?**

**Complétez la phrase suivante avec le pronom relatif correcte: La dame \_\_\_\_\_ parle est notre directrice.**

**Choisissez la préposition correspondante: Notre maison se trouve \_\_\_\_\_ cinéma Rex.**

## 15. Француски (Втор странски јазик) - Општо образование

Прашање

**Trouvez la forme correcte du verbe se lever: La mère .....à six heure.**

**Complétez la phrase avec la conjonction correcte :Il écrit sa biographie professionnelle \_\_\_\_\_ se présenter à un concours.**

**Complétez avec un pronom relatif : C'est la ville \_\_\_\_\_ j'ai passé mon enfance.**

**Complétez la phrase: On vend ces spécialités .....elles sont délicieuses.**

**Continuez la phrase suivante avec le verbe appeler au temps qui convient: Il est 14 h. À 10h il \_\_\_\_\_son dentiste.**

**Complétez la phrase suivante avec la forme correcte du verbe aller: Dans trois semaines, nous.....en vacances.**

**Cochez la bonne question à la réponse suivante: Je suis au bureau.**

## 15. Француски (Втор странски јазик) - Општо образование

Прашање

**Trouvez la réponse correcte à la question suivante: Pourquoi as-tu appelé Paul?**

**Cochez la forme correcte du verbe sortir dans la phrase: Chaque soir, pendant les vacances dernières, on \_\_\_\_\_ avec nos amis anglais.**

**Complétez avec la forme correcte du verbe voir: Est-ce que ton frère \_\_\_\_\_ le dernier film de Luc Besson ?**

**Répondez à la question suivante en utilisant le pronom correspondant: Vous rentrez de Madrid ce soir?**

**Complétez la phrase suivante avec la forme correcte du verbe passer: Demain, nous \_\_\_\_\_ un examen.**

**Répondez à la question suivante: Téléphonez- vous aux enfants?**

**La phrase: Ils ne connaissent que l'anglais. signifie qu':**

## 15. Француски (Втор странски јазик) - Општо образование

Прашање

**Trouvez la phrase avec laquelle on exprime un souhait.**

**On peut exprimer un regret par la phrase:**

**Avec l'expression: Je pense que ... on exprime:**

**Trouvez la phrase avec laquelle on donne un conseil.**

**Compléter la phrase pour exprimer un souhait :**

..... voyager en France.

**Avec quelle phrase exprime-t-on un conseil?**

**On donne un conseil avec la phrase suivante :**

**Comment exprime-t-on un souhait?**

## 15. Француски (Втор странски јазик) - Општо образование

Прашање

**Cochez la phrase exprimant le regret.**

**Quel énoncé exprime une possibilité?**

**Comment demande-t-on une opinion?**

**Comment exprime-t-on la possibilité?**

**Avec quelle phrase exprime-t-on une probabilité ?**

**Avec quelle phrase exprime-t-on le regret?**

**Vous donnez un conseil à un ami. Vous lui dites:**

**Vous voulez demander une opinion. Vous dites:**

**Comment exprime-t-on la certitude?**



## 15. Француски (Втор странски јазик) - Општо образование

Прашање

**On exprime la probabilité avec la phrase:**

**Comment peut-on demander une opinion?**

**Avec la phrase**

:

**D'après moi, il est bon d'étudier ensemble pour cet examen. on exprime**

:

**À la phrase suivante: Je ne peux pas venir à ton anniversaire. vous dites :**

**Определи со која реченица одговараме на исказот: Malheureusement, le voyage est annulé.**

**Trouvez l'énoncé qui est équivalent à la phrase suivante: Je crois qu'elle arrive ce soir.**

**Avec la phrase: À mon avis, tu peux étudier mieux. on exprime:**

**Avec la phrase: Je ne partage pas ton point de vue. on exprime:**

**Avec la phrase: Peut-être qu'il arrivera tôt. on exprime :**

## 15. Француски (Втор странски јазик) - Општо образование

Прашање

**Avec la phrase suivante: Il faut réfléchir bien à ce problème. on exprime :**

**Avec la phrase: Je suis sûr qu`ils sont partis. on exprime:**

**Répondez à la question suivante en exprimant une certitude: Tu es sûr qu'il pleuvra demain?**

**Avec la phrase: Ce doit être un architecte. on exprime:**

**Lisez le texte suivant et puis répondez en cochant la réponse correcte.**

L E B O N P L A T  
17, place Ch.de Gaulle -33000 Bordeaux  
Cherche un(e) serveur/serveuse  
Minimum 23 ans,  
deux années d'expérience  
dans la restauration.  
Anglais indispensable.

Contactez M. Benoit-05 56 10 51 47

**il?**

**De quel type de document s'agit-**

## 15. Француски (Втор странски јазик) - Општо образование

Прашање

**Lisez le texte suivant et puis répondez en cochant la réponse correcte.**

L E B O N P L A T  
17, place Ch.de Gaulle -33000 Bordeaux  
Cherche un(e) serveur/serveuse  
Minimum 23 ans,  
deux années d'expérience  
dans la restauration.  
Anglais indispensable.  
Contactez M. Benoit-05 56 10 51 47

**Qu'est-ce que "Le bon plat" ?**

**Lisez le texte suivant et puis répondez en cochant la réponse correcte.**

L E B O N P L A T  
17, place Ch.de Gaulle -33000 Bordeaux  
Cherche un(e) serveur/serveuse  
Minimum 23 ans,  
deux années d'expérience  
dans la restauration.  
Anglais indispensable.  
Contactez M. Benoit-05 56 10 51 47

**Quel âge doit avoir le/la serveur/serveuse?**

## 15. Француски (Втор странски јазик) - Општо образование

Прашање

**Lisez le texte suivant et puis répondez en cochant la réponse correcte.**

L E B O N P L A T  
17, place Ch.de Gaulle -33000 Bordeaux  
Cherche un(e) serveur/serveuse  
Minimum 23 ans,  
deux années d'expérience  
dans la restauration.  
Anglais indispensable.  
Contactez M. Benoit-05 56 10 51 47

**Le/La candidat/e pour le poste de serveur/serveuse devait travailler dans le secteur:**

## 15. Француски (Втор странски јазик) - Општо образование

Прашање

**Lisez le texte suivant et puis répondez en cochant la réponse correcte.**

L E B O N P L A T  
17, place Ch.de Gaulle -33000 Bordeaux  
Cherche un(e) serveur/serveuse  
Minimum 23 ans,  
deux années d'expérience  
dans la restauration.  
Anglais indispensable.  
Contactez M. Benoit-05 56 10 51 47  
**« Anglais indispensable » veut dire qu'on cherche un(e)  
serveur/serveuse:**

**Lisez le texte suivant et puis répondez en cochant la réponse correcte.**

L E B O N P L A T  
17, place Ch.de Gaulle -33000 Bordeaux  
Cherche un(e) serveur/serveuse  
Minimum 23 ans,  
deux années d'expérience  
dans la restauration.  
Anglais indispensable.  
Contactez M. Benoit-05 56 10 51 47  
**Il faut contacter M.Benoit par:**

## 15. Француски (Втор странски јазик) - Општо образование

Прашање

**Lisez le texte suivant et puis répondez en cochant la réponse correcte.**

Les mers sont malades. Nous devons les sauver. Il ne faut pas jeter des déchets dans la mer, mais dans une poubelle! Ne mettons pas en danger notre futur!

**Dans le texte on parle:**

**Lisez le texte suivant et puis répondez en cochant la réponse correcte.**

Les mers sont malades. Nous devons les sauver. Il ne faut pas jeter des déchets dans la mer, mais dans une poubelle! Ne mettons pas en danger notre futur!

**Quel est le message du texte?**

## 15. Француски (Втор странски јазик) - Општо образование

Прашање

**Lisez le texte suivant et puis répondez en cochant la réponse correcte.**

Les mers sont malades. Nous devons les sauver. Il ne faut pas jeter des déchets dans la mer, mais dans une poubelle! Ne mettons pas en danger notre futur!

**L'expression « Les mers sont malades » signifie que:**

**Lisez le texte suivant et puis répondez en cochant la réponse correcte.**

Les mers sont malades. Nous devons les sauver. Il ne faut pas jeter des déchets dans la mer, mais dans une poubelle! Ne mettons pas en danger notre futur!

**Trouvez le titre qui convient le plus au texte.**

## 15. Француски (Втор странски јазик) - Општо образование

Прашање

**Lisez le texte suivant et puis répondez en cochant la réponse correcte.**

Allo! Bonjour, je voudrais réserver une table pour dix personnes, pour jeudi 12 mars, à 20 heures.

**Dans le texte il s'agit:**

**Lisez le texte suivant et puis répondez en cochant la réponse correcte.**

Allo! Bonjour, je voudrais réserver une table pour dix personnes, pour jeudi 12 mars, à 20 heures.

**L'un des interlocuteurs se trouve dans:**



## 15. Француски (Втор странски јазик) - Општо образование

Прашање

**Lisez le texte suivant et puis répondez en cochant la réponse correcte.**

Allo! Bonjour, je voudrais réserver une table pour dix personnes, pour jeudi 12 mars, à 20 heures.

**Combien d'interlocuteurs participent dans la conversation?**

**Lisez le texte suivant et puis répondez en cochant la réponse correcte.**

LE GROUPE GLOBE -AIDE .COM

A l'honneur de vous inviter à la réunion de direction  
le 23 avril à 16 heures  
53, rue de la Liberté  
75007 Paris

Une voiture attendra à l'aéroport Charles de Gaulle nos invités de l'étranger.  
Pour tout renseignement sur la réunion du 23 avril,  
Vous pouvez contacter Laurence,  
au + 33 1 45 15 2  
vous écrivez sur : llaurence@voila.fr **Le texte représente:**

## 15. Француски (Втор странски јазик) - Општо образование

Прашање

**Lisez le texte suivant et puis répondez en cochant la réponse correcte.**

LE GROUPE GLOBE -AIDE .COM

A l'honneur de vous inviter à la réunion de direction  
le 23 avril à 16 heures  
53, rue de la Liberté  
75007 Paris

Une voiture attendra à l'aéroport Charles de Gaulle nos invités de l'étranger.  
Pour tout renseignement sur la réunion du 23 avril,  
Vous pouvez contacter Laurence,  
au + 33 1 45 15 2  
vous écrivez sur : llaurence@voila.fr

**En quelle saison aura lieu la réunion ?**

## 15. Француски (Втор странски јазик) - Општо образование

Прашање

**Lisez le texte suivant et puis répondez en cochant la réponse correcte.**

LE GROUPE GLOBE -AIDE .COM

A l'honneur de vous inviter à la réunion de direction  
le 23 avril à 16 heures  
53, rue de la Liberté  
75007 Paris

Une voiture attendra à l'aéroport Charles de Gaulle nos invités de l'étranger.  
Pour tout renseignement sur la réunion du 23 avril,  
Vous pouvez contacter Laurence,  
au + 33 1 45 15 2  
vous écrivez sur : llaurence@voila.fr

**A qui peut-on s`adresser pour demander des informations?**

**Lisez le texte suivant et puis répondez en cochant la réponse correcte.**

LE GROUPE GLOBE -AIDE .COM

A l'honneur de vous inviter à la réunion de direction  
le 23 avril à 16 heures  
53, rue de la Liberté  
75007 Paris

Une voiture attendra à l'aéroport Charles de Gaulle nos invités de l'étranger.  
Pour tout renseignement sur la réunion du 23 avril,  
Vous pouvez contacter Laurence,  
au + 33 1 45 15 2  
vous écrivez sur : llaurence@voila.fr

**Comment peut-on contacter Laurence?**

## 15. Француски (Втор странски јазик) - Општо образование

Прашање

**Lisez le texte attentivement et puis répondez aux questions.**

Rennes

le 17/09

Chère Solène,

Ça y est, toute la famille est réunie. Nous sommes à Rennes depuis le 2 septembre, mais ça fait cinq mois que Pierre, lui, travaille à l'hôpital de la ville. J'ai trouvé un travail à la mairie et on s'est bien installés. Léo va à l'école juste à coté de notre appartement. Magali m'inquiète un peu. Elle ne mange plus depuis trois jours et elle est toujours fatiguée. Elle a peu être un chagrin de l'amour. Et nos amis Ferreira? Il y a au moins trois mois qu'on n'a pas reçu leurs nouvelles. Embrasse- les de ma part.

Bises,

Marie **Où se trouve l'école de Léo ?**

**Lisez le texte attentivement et puis répondez aux questions.**

Rennes

le 17/09

Chère Solène,

Ça y est, toute la famille est réunie. Nous sommes à Rennes depuis le 2 septembre, mais ça fait cinq mois que Pierre, lui, travaille à l'hôpital de la ville. J'ai trouvé un travail à la mairie et on s'est bien installés. Léo va à l'école juste à coté de notre appartement. Magali m'inquiète un peu. Elle ne mange plus depuis trois jours et elle est toujours fatiguée. Elle a peu être un chagrin de l'amour. Et nos amis Ferreira? Il y a au moins trois mois qu'on n'a pas reçu leurs nouvelles. Embrasse- les de ma part.

Bises,

Marie

**De quel type de texte s'agit-il?**

## 15. Француски (Втор странски јазик) - Општо образование

Прашање

**Lisez le texte attentivement et puis répondez aux questions.**

Rennes

le 17/09

Chère Solène,

Ça y est, toute la famille est réunie. Nous sommes à Rennes depuis le 2 septembre, mais ça fait cinq mois que Pierre, lui, travaille à l'hôpital de la ville. J'ai trouvé un travail à la mairie et on s'est bien installés. Léo va à l'école juste à coté de notre appartement. Magali m'inquiète un peu. Elle ne mange plus depuis trois jours et elle est toujours fatiguée. Elle a peut être un chagrin d'amour. Et nos amis Ferreira? Il y a au moins trois mois qu'on n'a pas reçu leurs nouvelles. Embrasse-les de ma part.

Bises,

Marie

**Depuis combien de temps Magali ne va pas bien?**

**Lisez le texte suivant et puis répondez en cochant la réponse correcte.**

Tous les voyageurs sont invités à descendre du train. Attention aux bagages.

**Il s'agit d'une:**

## 15. Француски (Втор странски јазик) - Општо образование

Прашање

**Lisez le texte suivant et puis répondez en cochant la réponse correcte.**

Tous les voyageurs sont invités à descendre du train. Attention aux bagages.

**Où peut-on entendre cet  
é  
noncé?**

**Lisez le texte suivant et puis répondez en cochant la réponse correcte.**

Tous les voyageurs sont invités à descendre du train. Attention aux bagages.

**Les voyageurs, à quoi doivent-ils faire attention?**

## 15. Француски (Втор странски јазик) - Општо образование

Прашање

**Lisez le texte suivant et puis répondez en cochant la réponse correcte.**

Tous les voyageurs sont invités à descendre du train. Attention aux bagages.

**Les voyageurs se trouvent:**

## 15. Француски (Втор странски јазик) - Општо образование

Прашање

**Lisez le message suivant et répondez aux questions en cochant la bonne case:**

Le 17 /05 / 2014

Chère Julie,

Nadia et moi, nous ouvrons un restaurant rue Broussac, à côté de la maison de Jacqueline. N'oublie pas d'apporter ton appareil photo. Je compte sur toi pour faire des photos des invités.

Merci d'avance.  
Jean

**Qui envoie ce message?**

**Lisez le message suivant et répondez aux questions en cochant la bonne case:**

Le 17 /05 / 2014

Chère Julie,

Nadia et moi, nous ouvrons un restaurant rue Broussac, à côté de la maison de Jacqueline. N'oublie pas d'apporter ton appareil photo. Je compte sur toi pour faire des photos des invités.

Merci d'avance.  
Jean

**De quel document s'agit-il ?**



## 15. Француски (Втор странски јазик) - Општо образование

Прашање

**Lisez le message suivant et répondez aux questions en cochant la bonne case:**

Le 17 /05 / 2014

Chère Julie,

Nadia et moi, nous ouvrons un restaurant rue Broussac, à côté de la maison de Jacqueline. N'oublie pas d'apporter ton appareil photo. Je compte sur toi pour faire des photos des invités.

Merci d'avance.

Jean

**Ce message est écrit pour:**

**Lisez le message suivant et répondez aux questions en cochant la bonne case:**

Le 17 /05 / 2014

Chère Julie,

Nadia et moi, nous ouvrons un restaurant rue Broussac, à côté de la maison de Jacqueline. N'oublie pas d'apporter ton appareil photo. Je compte sur toi pour faire des photos des invités.

Merci d'avance.

Jean

**Qui va faire des photos?**

## 15. Француски (Втор странски јазик) - Општо образование

Прашање

**Lisez le message suivant et répondez aux questions en cochant la bonne case:**

Le 17 /05 / 2014

Chère Julie,

Nadia et moi, nous ouvrons un restaurant rue Broussac, à côté de la maison de Jacqueline. N'oublie pas d'apporter ton appareil photo. Je compte sur toi pour faire des photos des invités.

Merci d'avance.

Jean

**Le nouveau restaurant se trouve :**

**Lisez le message suivant et répondez aux questions en cochant la bonne case:**

Le 17 /05 / 2014

Chère Julie,

Nadia et moi, nous ouvrons un restaurant rue Broussac, à côté de la maison de Jacqueline. N'oublie pas d'apporter ton appareil photo. Je compte sur toi pour faire des photos des invités.

Merci d'avance.

Jean

**Qui ouvre le restaurant?**

## 15. Француски (Втор странски јазик) - Општо образование

Прашање

**Lisez le message suivant et répondez aux questions en cochant la bonne case:**

Le 17 /05 / 2014

Chère Julie,

Nadia et moi, nous ouvrons un restaurant rue Broussac, à côté de la maison de Jacqueline. N'oublie pas d'apporter ton appareil photo. Je compte sur toi pour faire des photos des invités.

Merci d'avance.

Jean

**En quelle saison a lieu l'événement?**

## 15. Француски (Втор странски јазик) - Општо образование

Прашање

**Lisez le message suivant et répondez aux questions en cochant la bonne case:**

Le 17 /05 / 2014

Chère Julie,

Nadia et moi, nous ouvrons un restaurant rue Broussac, à côté de la maison de Jacqueline. N'oublie pas d'apporter ton appareil photo. Je compte sur toi pour faire des photos des invités.

Merci d'avance.

Jean

**Jean, qu'est-ce qu'il demande  
à  
Julie ?**

## 15. Француски (Втор странски јазик) - Општо образование

Прашање

**Lisez le texte et répondez aux questions en cochant la bonne case.**

*Chère Léa,*

*Étienne et moi, nous sommes actuellement à Barcelone, chez Alicia. Nous sommes arrivés vendredi en avion. Samedi, Alicia et moi, nous sommes allées faire des courses. Nous avons marché toute la journée. Le soir, nous sommes allés au restaurant tous les trois et nous sommes rentrés à deux heures du matin. Nous avons passé une excellente soirée!*

*Ce matin, nous avons visité le musée Picasso et, cet après-midi, nous sommes allés au parc Güell.*

*C'est magnifique! Nous rentrons dans deux jours.*

*À bientôt. Bisous,*

*Mathilde*

**Qui est allé en Espagne?**

## 15. Француски (Втор странски јазик) - Општо образование

Прашање

**Lisez le texte et répondez aux questions en cochant la bonne case.**

*Chère Léa,*

*Étienne*

*et moi, nous sommes actuellement à Barcelone, chez Alicia. Nous sommes arrivés vendredi en avion. Samedi, Alicia et moi, nous sommes allées faire des courses. Nous avons marché toute la journée. Le soir, nous sommes allés au restaurant tous les trois et nous sommes rentrés à deux heures du matin. Nous avons passé une excellente soirée!*

*Ce matin, nous avons visité le musée Picasso et, cet après-midi, nous sommes allés au parc Güell.*

*C'est magnifique! Nous rentrons dans deux jours.*

*À bientôt. Bisous,*

*Mathilde*

**Mathilde et Alicia, qu'est-ce qu'elles ont fait samedi?**

## 15. Француски (Втор странски јазик) - Општо образование

Прашање

**Lisez le texte et répondez aux questions en cochant la bonne case.**

*Chère Léa,*

*Étienne*

*et moi, nous sommes actuellement à Barcelone, chez Alicia. Nous sommes arrivés vendredi en avion. Samedi, Alicia et moi, nous sommes allées faire des courses. Nous avons marché toute la journée. Le soir, nous sommes allés au restaurant tous les trois et nous sommes rentrés à deux heures du matin. Nous avons passé une excellente soirée!*

*Ce matin, nous avons visité le musée Picasso et, cet après-midi, nous sommes allés au parc Güell. C'est magnifique! Nous rentrons dans deux jours.*

*À bientôt. Bisous,*

*Mathilde*

**Mathilde, Étienne et Alicia, où se sont-ils amusés?**

## 15. Француски (Втор странски јазик) - Општо образование

Прашање

**Lisez le texte et répondez aux questions en cochant la bonne case.**

*Chère Léa,*

*Étienne et moi, nous sommes actuellement à Barcelone, chez Alicia. Nous sommes arrivés vendredi en avion. Samedi, Alicia et moi, nous sommes allées faire des courses. Nous avons marché toute la journée. Le soir, nous sommes allés au restaurant tous les trois et nous sommes rentrés à deux heures du matin. Nous avons passé une excellente soirée!*

*Ce matin, nous avons visité le musée Picasso et, cet après-midi, nous sommes allés au parc Güell.*

*C'est magnifique! Nous rentrons dans deux jours.*

*À bientôt. Bisous,*

*Mathilde*

**Combien de temps restent-ils en Espagne ?**



## 15. Француски (Втор странски јазик) - Општо образование

Прашање

**Lisez le texte et répondez aux questions en cochant la bonne case:**

*Corine et Frédéric*

*Ont la joie de vous faire part de leur mariage.*

*Les cérémonies civile et religieuse seront célébrées*

*le samedi 2 juin 2013*

*à 16h 30 à la mairie et à 17h au temple de Moussac.*

*Nous serions heureux de vous retrouver après les cérémonies*

*Au "Foyer" pour l'apéritif.*

*M. et Mme Dupont*

*M. et Mme Charles*

**De quel type de texte s'agit-il?**

## 15. Француски (Втор странски јазик) - Општо образование

Прашање

**Lisez le texte et répondez aux questions en cochant la bonne case:**

*Corine et Frédéric*

*Ont la joie de vous faire part de leur mariage.*

*Les cérémonies civile et religieuse seront célébrées*

*le samedi 2 juin 2013*

*à 16h 30 à la mairie et à 17h au temple de Moussac.*

*Nous serions heureux de vous retrouver après les cérémonies*

*Au "Foyer" pour l'apéritif.*

*M. et Mme Dupont*

*M. et Mme Charles*

**Le cocktail aura lieu:**

## 15. Француски (Втор странски јазик) - Општо образование

Прашање

**Lisez le texte et répondez aux questions en cochant la bonne case:**

*Corine et Frédéric*

*Ont la joie de vous faire part de leur mariage.*

*Les cérémonies civile et religieuse seront célébrées*

*le samedi 2 juin 2013*

*à 16h 30 à la mairie et à 17h au temple de Moussac.*

*Nous serions heureux de vous retrouver après les cérémonies*

*Au "Foyer" pour l'apéritif.*

*M. et Mme Dupont*

*M. et Mme Charles*

**Qui va se marier?**

## 15. Француски (Втор странски јазик) - Општо образование

Прашање

**Lisez le texte et répondez aux questions en cochant la bonne case:**

*Corine et Frédéric*

*Ont la joie de vous faire part de leur mariage.*

*Les cérémonies civile et religieuse seront célébrées*

*le samedi 2 juin 2013*

*à 16h 30 à la mairie et à 17h au temple de Moussac.*

*Nous serions heureux de vous retrouver après les cérémonies*

*Au "Foyer" pour l'apéritif.*

*M. et Mme Dupont*

*M. et Mme Charles*

**Cela se passera pendant:**

## 15. Француски (Втор странски јазик) - Општо образование

Прашање

**Lisez le texte et répondez aux questions en cochant la bonne case.**

Paris, le 15 juin 2012

Ma chère Juliette,

Je suis très heureux de te confirmer que mes parents sont enfin d'accord : ils t'invitent dans notre résidence secondaire en Bourgogne pour les prochaines vacances. Si tu acceptes, tu vas découvrir cette belle région et ses vignobles , goûter les meilleurs vins- notre gastronomie est très réputée. On va pouvoir également faire des excursions, visiter une usine et voir comment on fabrique la fameuse moutarde de Dijon. Il ne faut pas non plus oublier les balades dans les ruelles du vieux quartier de la ville, ni la possibilité de mieux connaître l'histoire car nous avons beaucoup de monuments. J'attends ta réponse avec impatience et j'espère te revoir très bientôt. Bien amicalement, Pierre

**De quel type de document s'agit-il ?**

## 15. Француски (Втор странски јазик) - Општо образование

Прашање

**Lisez le texte et répondez aux questions en cochant la bonne case.**

Paris, le 15 juin 2012

Ma chère Juliette,

Je suis très heureux de te confirmer que mes parents sont enfin d'accord : ils t'invitent dans notre résidence secondaire en Bourgogne pour les prochaines vacances. Si tu acceptes, tu vas découvrir cette belle région et ses vignobles , goûter les meilleurs vins- notre gastronomie est très réputée. On va pouvoir également faire des excursions, visiter une usine et voir comment on fabrique la fameuse moutarde de Dijon. Il ne faut pas non plus oublier les balades dans les ruelles du vieux quartier de la ville, ni la possibilité de mieux connaître l'histoire car nous avons beaucoup de monuments. J'attends ta réponse avec impatience et j'espère te revoir très bientôt. Bien amicalement, Pierre

**Pierre est heureux parce que :**

## 15. Француски (Втор странски јазик) - Општо образование

Прашање

**Lisez le texte et répondez aux questions en cochant la bonne case.**

Paris, le 15 juin 2012

Ma chère Juliette,

Je suis très heureux de te confirmer que mes parents sont enfin d'accord : ils t'invitent dans notre résidence secondaire en Bourgogne pour les prochaines vacances. Si tu acceptes, tu vas découvrir cette belle région et ses vignobles , goûter les meilleurs vins- notre gastronomie est très réputée. On va pouvoir également faire des excursions, visiter une usine et voir comment on fabrique la fameuse moutarde de Dijon. Il ne faut pas non plus oublier les balades dans les ruelles du vieux quartier de la ville, ni la possibilité de mieux connaître l'histoire car nous avons beaucoup de monuments. J'attends ta réponse avec impatience et j'espère te revoir très bientôt. Bien amicalement, Pierre

**Juliette, où va-t-elle rencontrer Pierre?**

## 15. Француски (Втор странски јазик) - Општо образование

Прашање

**Lisez le texte et répondez aux questions en cochant la bonne case.**

Paris, le 15 juin 2012

Ma chère Juliette,

Je suis très heureux de te confirmer que mes parents sont enfin d'accord : ils t'invitent dans notre résidence secondaire en Bourgogne pour les prochaines vacances. Si tu acceptes, tu vas découvrir cette belle région et ses vignobles , goûter les meilleurs vins- notre gastronomie est très réputée. On va pouvoir également faire des excursions, visiter une usine et voir comment on fabrique la fameuse moutarde de Dijon. Il ne faut pas non plus oublier les balades dans les ruelles du vieux quartier de la ville, ni la possibilité de mieux connaître l'histoire car nous avons beaucoup de monuments. J'attends ta réponse avec impatience et j'espère te revoir très bientôt. Bien amicalement, Pierre

**La résidence secondaire de Pierre se trouve à :**



## 15. Француски (Втор странски јазик) - Општо образование

Прашање

**Lisez le texte et répondez aux questions en cochant la bonne case.**

Paris, le 15 juin 2012

Ma chère Juliette,

Je suis très heureux de te confirmer que mes parents sont enfin d'accord : ils t' invitent dans notre résidence secondaire en Bourgogne pour les prochaines vacances. Si tu acceptes, tu vas découvrir cette belle région et ses vignobles , goûter les meilleurs vins- notre gastronomie est très réputée. On va pouvoir également faire des excursions, visiter une usine et voir comment on fabrique la fameuse moutarde de Dijon. Il ne faut pas non plus oublier les balades dans les ruelles du vieux quartier de la ville, ni la possibilité de mieux connaître l'histoire car nous avons beaucoup de monuments. J'attends ta réponse avec impatience et j'espère te revoir très bientôt. Bien amicalement, Pierre

**Pierre, qu'est-ce qu'il propose à Juliette de faire dans les ruelles du vieux quartier de la ville ?**

## 15. Француски (Втор странски јазик) - Општо образование

Прашање

**Lisez le texte et répondez aux questions en cochant la bonne case.**

Paris, le 15 juin 2012

Ma chère Juliette,

Je suis très heureux de te confirmer que mes parents sont enfin d'accord : ils t'invitent dans notre résidence secondaire en Bourgogne pour les prochaines vacances. Si tu acceptes, tu vas découvrir cette belle région et ses vignobles , goûter les meilleurs vins- notre gastronomie est très réputée. On va pouvoir également faire des excursions, visiter une usine et voir comment on fabrique la fameuse moutarde de Dijon. Il ne faut pas non plus oublier les balades dans les ruelles du vieux quartier de la ville, ni la possibilité de mieux connaître l'histoire car nous avons beaucoup de monuments. J'attends ta réponse avec impatience et j'espère te revoir très bientôt. Bien amicalement, Pierre

**Qu'est qui a une bonne réputation ?**

## 15. Француски (Втор странски јазик) - Општо образование

Прашање

**Lisez le texte et répondez aux questions en cochant la bonne case.**

Paris, le 15 juin 2012

Ma chère Juliette,

Je suis très heureux de te confirmer que mes parents sont enfin d'accord : ils t'invitent dans notre résidence secondaire en Bourgogne pour les prochaines vacances. Si tu acceptes, tu vas découvrir cette belle région et ses vignobles , goûter les meilleurs vins- notre gastronomie est très réputée. On va pouvoir également faire des excursions, visiter une usine et voir comment on fabrique la fameuse moutarde de Dijon. Il ne faut pas non plus oublier les balades dans les ruelles du vieux quartier de la ville, ni la possibilité de mieux connaître l'histoire car nous avons beaucoup de monuments. J'attends ta réponse avec impatience et j'espère te revoir très bientôt. Bien amicalement, Pierre

**Pierre espère que :**

## 15. Француски (Втор странски јазик) - Општо образование

Прашање

**Lisez le texte et répondez aux questions en cochant la bonne case.**

Paris, le 15 juin 2012

Ma chère Juliette,

Je suis très heureux de te confirmer que mes parents sont enfin d'accord : ils t'invitent dans notre résidence secondaire en Bourgogne pour les prochaines vacances. Si tu acceptes, tu vas découvrir cette belle région et ses vignobles , goûter les meilleurs vins- notre gastronomie est très réputée. On va pouvoir également faire des excursions, visiter une usine et voir comment on fabrique la fameuse moutarde de Dijon. Il ne faut pas non plus oublier les balades dans les ruelles du vieux quartier de la ville, ni la possibilité de mieux connaître l'histoire car nous avons beaucoup de monuments. J'attends ta réponse avec impatience et j'espère te revoir très bientôt. Bien amicalement, Pierre

**Juliette va aller en Bourgogne:**

**Qu'est-ce qu'on mange à un anniversaire?**

**Trouvez le mot qui ne signifie pas un lieu où on peut habiter.**

**Quel mot signifie un trait de caractère?**

## 15. Француски (Втор странски јазик) - Општо образование

Прашање

**Cochez le mot qui ne signifie pas un moyen de transport public.**

**Quelle est la constatation à cette expression: Il arrive à 20 heures. Il a une réunion à 20h30 h.**

**Il est pilote. Il conduit un\_\_\_\_\_.**

**Trouvez le contraire du mot méchante.**

**Qu'est-ce qu'il n'y a pas dans les villes?**

**Où ne peut-on pas acheter de la nourriture?**

**Qu'est-ce qu'il y a au centre d'une grande ville?**

**Qu'est-ce qu'il nous faut pour regarder la météo?**

**Trouvez le mot contraire du mot paresseux.**

## 15. Француски (Втор странски јазик) - Општо образование

Прашање

**Complétez la phrase: Devant \_\_\_\_\_ il y a un jardin.**

**Je prépare des crêpes avec des \_\_\_\_\_ .**

**Continuez la phrase: J'ai fixé \_\_\_\_\_ avec mon petit ami.**

**Pourquoi va-t-on dans une agence de voyage?**

**Complétez la phrase: J'allume \_\_\_\_\_ pour écouter la météo.**

**Continuez la phrase suivante: Elle aime parler, elle est \_\_\_\_\_.**

**Où peut-on écrire un SMS?**

**Continuez la phrase suivante: Je prends l'autoroute de Rouen, donc je voyage en \_\_\_\_\_.**

**Continuez la phrase: Elle est de bonne humeur, donc, elle a \_\_\_\_\_.**

## 15. Француски (Втор странски јазик) - Општо образование

Прашање

**Trouvez le contraire du mot énervé.**

**Trouvez l'adverbe de temps.**

**Quel verbe est conjugué au passé récent?**

**Trouvez le nombre ordinal 3.**

**Quel verbe est conjugué au conditionnel présent?**

**Trouvez le verbe qui est conjugué au futur simple.**

**Trouvez le verbe qui est conjugué à l'imparfait.**

**Quelle est la réponse correcte à la question: Pourquoi tu n'es pas venu?**

**La phrase: Je sors toujours le samedi. signifie:**

## 15. Француски (Втор странски јазик) - Општо образование

Прашање

Répondez à la question suivante en employant le pronom qui convient:  
Tu veux du café?

Trouvez la forme du discours indirect de la phrase: Qu'est-ce que tu dis?

Complétez la phrase avec le superlatif de l'adjectif bon : Cette fille est la \_\_\_\_\_ élève de la classe.

Trouvez les mots équivalents de l'expression soulignée: Chaque mardi, j'ai des cours de français.

Complétez la phrase suivante afin d'exprimer une comparaison: La Macédoine est \_\_\_\_\_ la France.

Trouvez la préposition correcte dans la phrase: La mère de Marie voyage \_\_\_\_\_ avion.

Choisissez la forme correcte du verbe dans la phrase: Chaque été je.....en Espagne

Continuez la phrase suivante: Il est 5 h. À 4h55 il \_\_\_\_\_.

Complétez la phrase suivante: Demain, nous \_\_\_\_\_ à la plage.



## 15. Француски (Втор странски јазик) - Општо образование

Прашање

Complétez la phrase avec le pronom approprié: J'aime la montagne et \_\_\_\_\_vais souvent.

Complétez la phrase suivante avec l'adverbe correcte: \_\_\_\_\_ l'école on va jouer.

Mettez le verbe

entrer

au passé récent: Il est 13 heures. À 12heures 50 elle \_\_\_\_\_.

Cochez la bonne question à la réponse suivante: Je vais à la piscine.

Trouvez la réponse correcte à la question suivante: Pourquoi es-tu allé au marché?

Trouvez la forme correcte du verbe sortir: Demain, je \_\_\_\_\_ avec mes amis.

Choisissez la négation correcte à la question suivante: Tu vois quelqu'un dans le jardin?

## 15. Француски (Втор странски јазик) - Општо образование

Прашање

**Trouvez la phrase par laquelle on donne le prix d'un produit.**

**Comment exprime-t-on l'opinion?**

**Qu'est-ce qu'on dit pour exprimer son regret?**

**Avec quelle phrase parle-t-on de son état physique?**

**On félicite avec la phrase suivante:**

**Comment décrit-on le caractère d'une personne?**

**Pour exprimer son regret on dit:**

**Elle est très contente du concert. Elle dit:**

**Répondez à la question suivante par une phrase affirmative: Vous êtes contents du voyage?**

## 15. Француски (Втор странски јазик) - Општо образование

Прашање

**Choisissez la phrase avec laquelle on exprime une impossibilité.**

**Avec la phrase:** Pour moi, votre projet est excellent. **on exprime :**

**On peut exprimer la possibilité par la phrase:**

**Avec quelle phrase exprime-t-on une opinion?**

**Cochez la phrase avec laquelle on exprime un regret.**

**Comment peut-on donner un conseil?**

**Quelle est la bonne question pour demander l'opinion?**

**Pour exprimer la certitude on dit:**

## 15. Француски (Втор странски јазик) - Општо образование

Прашање

**Choisissez la phrase avec laquelle on exprime la probabilité.**

**On demande une opinion par la phrase:**

**Avec la phrase:** Moi, à ta place, je partirais demain en vacances. **on exprime :**

**Compléter la phrase :** \_\_\_\_\_ il est capable de s'engager dans le projet. **pour qu'elle exprime un avis.**

**Avec la phrase suivante:** J'ai envie d'aller en Tunisie. **on exprime :**

**Avec la phrase:** Je suis sûr que tu réussiras à l'examen. **on exprime :**

**Avec la phrase:** Il y a un bureau de poste par ici? **on :**

**Répondez comment on peut réagir à l'expression: Hier, Madame Leblanc a eu un accident.**

## 15. Француски (Втор странски јазик) - Општо образование

Прашање

**Comment peut-on donner le prix d'un produit?**

**On exprime la possibilité dans la phrase:**

**Il faut lui donner un conseil: Il m'a invité, mais je ne sais pas quoi faire.**

**Avec quelle phrase exprime-t-on une probabilité?**

**Complétez la phrase: Je \_\_\_\_\_ que tu viennes avec nous au cinéma. » pour qu'elle exprime un souhait.**

## 16. Француски (Прв странски јазик) - Општо образование

Прашање

Trouvez le mot qui ne signifie pas un moyen de transport.

Cochez le mot qui signifie un trait de caractère.

Cochez le mot qui ne signifie pas un trait de caractère.

Trouvez le mot qui signifie un moyen de transport.

## 16. Француски (Прв странски јазик) - Општо образование

Прашање

Qu'est-ce qu'on peut trouver à la campagne?

Trouvez le mot qui est lié au thème: Environnement.

Trouvez le mot contraire du mot  paresseux .

Quel est le mot contraire du mot  triste ?

On jette les ordures dans:

Quel mot appartient au thème: Beautés naturelles?

Trouvez le mot contraire du mot  courageux .

Comment voyage-t-on par la mer?

Quel mot signifie une émission télévisée?

Complétez la phrase: Avant de partir en voyage en avion, on réserve un\_\_\_\_\_.

Avant de partir en voyage nous préparons nos:

Quel est le synonyme du verbe  téléphoner  ?

Quel mot est lié au thème: Internet?

## 16. Француски (Прв странски јазик) - Општо образование

Прашање

Trouvez le mot lié au thème: Voyage.

Quel est le synonyme du mot voiture?

Continuez la phrase: Je vais à la campagne pour admirer\_\_\_\_\_.

Terminez la phrase : Vous cherchez un billet de train. Allez \_\_\_\_\_ !

Trouvez le mot correct pour finir la phrase: Pour être bien informé on lit quotidiennement \_\_\_\_\_.

Terminez la phrase avec la réponse correcte: Dans un grand magasin on trouve un ordinateur dans le rayon \_\_\_\_\_.

Qu'est-ce qu'il nous faut pour regarder la météo?

Trouvez sa profession: Il dirige la circulation, il est \_\_\_\_\_.

Trouvez le mot correct pour finir la phrase: Vous devez partir en train? Allez à \_\_\_\_\_ .

Terminez la phrase: Marie-Rose est à la station, elle va prendre \_\_\_\_\_.

Continuez la phrase: On va dans une agence de voyage pour:

Continuez la phrase: J'aime jouer avec des jeux video sur \_\_\_\_\_.

Continuez la phrase suivante: On dessine un paysage où il y a \_\_\_\_\_.

## 16. Француски (Прв странски јазик) - Општо образование

Прашање

Continuez la phrase: J'ai fixé \_\_\_\_\_ avec mon chéri.

Où peut-on écrire une SMS?

Terminez la phrase : Il n'est pas calme, donc, il est \_\_\_\_\_.

**Lisez le texte attentivement et puis répondez aux questions.**

Rennes le 17/09

Chère Béatrice,

Ça y est, toute la famille est réunie. Nous sommes à Rennes depuis le 2 septembre, mais ça fait cinq mois que Pierre, lui, travaille à l'hôpital de la ville. J'ai trouvé un travail à la mairie et on s'est bien installés. Théo va à l'école juste à coté de notre appartement. Florence m'inquiète un peu. Elle ne mange plus depuis trois jours et elle est toujours fatiguée. Elle a peut être un chagrin de l'amour. Et nos amis Ferreira? Il y a au moins trois mois qu'on n'a pas reçu leurs nouvelles. Embrasse-les de ma part.

Bises,

Marie

**Où se trouve l'école de Théo ?**



## 16. Француски (Прв странски јазик) - Општо образование

Прашање

**Lisez le texte attentivement et puis répondez aux questions.**

Rennes le 17/09

Chère Béatrice,

Ça y est, toute la famille est réunie. Nous sommes à Rennes depuis le 2 septembre, mais ça fait cinq mois que Pierre, lui, travaille à l'hôpital de la ville. J'ai trouvé un travail à la mairie et on s'est bien installés. Théo va à l'école juste à coté de notre appartement. Florence m'inquiète un peu. Elle ne mange plus depuis trois jours et elle est toujours fatiguée. Elle a peu être un chagrin de l'amour. Et nos amis Ferreira? Il y a au moins trois mois qu'on n'a pas reçu leurs nouvelles. Embrasse-les de ma part.

Bises,  
Marie

**De quel type de texte s'agit-il?**

## 16. Француски (Прв странски јазик) - Општо образование

Прашање

**Lisez le texte attentivement et puis répondez aux questions.**

Rennes le 17/09

Chère Béatrice,

Ça y est, toute la famille est réunie. Nous sommes à Rennes depuis le 2 septembre, mais ça fait cinq mois que Pierre, lui, travaille à l'hôpital de la ville. J'ai trouvé un travail à la mairie et on s'est bien installés. Théo va à l'école juste à coté de notre appartement. Florence m'inquiète un peu. Elle ne mange plus depuis trois jours et elle est toujours fatiguée. Elle a peu être un chagrin de l'amour. Et nos amis Ferreira? Il y a au moins trois mois qu'on n'a pas reçu leurs nouvelles. Embrasse- les de ma part.

Bises,  
Marie

**Depuis combien de temps Florence ne va pas bien?**

## 16. Француски (Прв странски јазик) - Општо образование

Прашање

**Lisez le message suivant et répondez aux questions en cochant la bonne case.**

Le 17 /05 / 2014

Chère  
Anne,

Nadia et moi, nous ouvrons un restaurant rue Broussac, à côté de la maison de Dominique. N'oublie pas d'apporter ton appareil photo. Je compte sur toi pour faire des photos des invités.

Merci d'avance.  
Jean

**Qui envoie ce message?**

## 16. Француски (Прв странски јазик) - Општо образование

Прашање

**Lisez le message suivant et répondez aux questions en cochant la bonne case.**

Le 17 /05 / 2014

Chère  
Anne,

Nadia et moi, nous ouvrons un restaurant rue Broussac, à côté de la maison de Dominique. N'oublie pas d'apporter ton appareil photo. Je compte sur toi pour faire des photos des invités.

Merci d'avance.  
Jean

**De quel document s'agit-il ?**

## 16. Француски (Прв странски јазик) - Општо образование

Прашање

**Lisez le message suivant et répondez aux questions en cochant la bonne case.**

Le 17 /05 / 2014

Chère  
Anne,

Nadia et moi, nous ouvrons un restaurant rue Broussac, à côté de la maison de Dominique. N'oublie pas d'apporter ton appareil photo. Je compte sur toi pour faire des photos des invités.

Merci d'avance.  
Jean

**Pourquoi est-t-il écrit, ce message?**

## 16. Француски (Прв странски јазик) - Општо образование

Прашање

**Lisez le message suivant et répondez aux questions en cochant la bonne case.**

Le 17 /05 / 2014

Chère  
Anne,

Nadia et moi, nous ouvrons un restaurant rue Broussac, à côté de la maison de Dominique. N'oublie pas d'apporter ton appareil photo. Je compte sur toi pour faire des photos des invités.

Merci d'avance.  
Jean

**Qui va faire des photos?**

## 16. Француски (Прв странски јазик) - Општо образование

Прашање

**Lisez le message suivant et répondez aux questions en cochant la bonne case.**

Le 17 /05 / 2014

Chère  
Anne,

Nadia et moi, nous ouvrons un restaurant rue Broussac, à côté de la maison de Dominique. N'oublie pas d'apporter ton appareil photo. Je compte sur toi pour faire des photos des invités.

Merci d'avance.  
Jean

**Le nouveau restaurant se trouve :**

## 16. Француски (Прв странски јазик) - Општо образование

Прашање

**Lisez le message suivant et répondez aux questions en cochant la bonne case.**

Le 17 /05 / 2014

Chère  
Anne,

Nadia et moi, nous ouvrons un restaurant rue Broussac, à côté de la maison de Dominique. N'oublie pas d'apporter ton appareil photo. Je compte sur toi pour faire des photos des invités.

Merci d'avance.  
Jean

**Qui ouvre le restaurant?**



## 16. Француски (Прв странски јазик) - Општо образование

Прашање

**Lisez le message suivant et répondez aux questions en cochant la bonne case.**

Le 17 /05 / 2014

Chère  
Anne,

Nadia et moi, nous ouvrons un restaurant rue Broussac, à côté de la maison de Dominique. N'oublie pas d'apporter ton appareil photo. Je compte sur toi pour faire des photos des invités.

Merci d'avance.  
Jean

**En quelle saison a lieu l'événement?**

## 16. Француски (Прв странски јазик) - Општо образование

Прашање

**Lisez le message suivant et répondez aux questions en cochant la bonne case.**

Le 17 /05 / 2014

Chère  
Anne,

Nadia et moi, nous ouvrons un restaurant rue Broussac, à côté de la maison de Dominique. N'oublie pas d'apporter ton appareil photo. Je compte sur toi pour faire des photos des invités.

Merci d'avance.  
Jean

**Jean, qu'est-ce qu'il demande à Anne ?**

## 16. Француски (Прв странски јазик) - Општо образование

Прашање

**Lisez le texte et répondez aux questions en cochant la bonne case:**

*Chère Julie,*

*Pauline et moi, nous sommes actuellement à Barcelone, chez Alicia. Nous sommes arrivées vendredi en avion. Samedi, Alicia et moi, nous sommes allées faire des courses. Nous avons marché toute la journée. Le soir, nous sommes allées au restaurant toutes les trois et nous sommes rentrées à deux heures du matin. Nous avons passé une excellente soirée!*

*Ce matin, nous avons visité le musée Picasso et, cet après-midi, nous sommes allées au parc Güell.*

*C'est magnifique! Nous rentrons dans deux jours.*

*À bientôt. Bisous,*

*Laure*

**De quel type de document s'agit-il ?**

## 16. Француски (Прв странски јазик) - Општо образование

Прашање

**Lisez le texte et répondez aux questions en cochant la bonne case:**

*Chère Julie,*

*Pauline et moi, nous sommes actuellement à Barcelone, chez Alicia. Nous sommes arrivées vendredi en avion. Samedi, Alicia et moi, nous sommes allées faire des courses. Nous avons marché toute la journée. Le soir, nous sommes allées au restaurant toutes les trois et nous sommes rentrées à deux heures du matin. Nous avons passé une excellente soirée!*

*Ce matin, nous avons visité le musée Picasso et, cet après-midi, nous sommes allées au parc Güell.*

*C'est magnifique! Nous rentrons dans deux jours.*

*À bientôt. Bisous,*

*Laure*

**Laure et Alicia, qu'est-ce qu'elles ont fait samedi?**

## 16. Француски (Прв странски јазик) - Општо образование

Прашање

**Lisez le texte et répondez aux questions en cochant la bonne case:**

*Chère Julie,*

*Pauline et moi, nous sommes actuellement à Barcelone, chez Alicia. Nous sommes arrivées vendredi en avion. Samedi, Alicia et moi, nous sommes allées faire des courses. Nous avons marché toute la journée. Le soir, nous sommes allées au restaurant toutes les trois et nous sommes rentrées à deux heures du matin. Nous avons passé une excellente soirée!*

*Ce matin, nous avons visité le musée Picasso et, cet après-midi, nous sommes allées au parc Güell.*

*C'est magnifique! Nous rentrons dans deux jours.*

*À bientôt. Bisous,*

*Laure*

**Où se sont-elles amusées?**

## 16. Француски (Прв странски јазик) - Општо образование

Прашање

**Lisez le texte et répondez aux questions en cochant la bonne case:**

*Chère Julie,*

*Pauline et moi, nous sommes actuellement à Barcelone, chez Alicia. Nous sommes arrivées vendredi en avion. Samedi, Alicia et moi, nous sommes allées faire des courses. Nous avons marché toute la journée. Le soir, nous sommes allées au restaurant toutes les trois et nous sommes rentrées à deux heures du matin. Nous avons passé une excellente soirée!*

*Ce matin, nous avons visité le musée Picasso et, cet après-midi, nous sommes allées au parc Güell.*

*C'est magnifique! Nous rentrons dans deux jours.*

*À bientôt. Bisous,*

*Laure*

**Avec la phrase: C'est magnifique! Laure veut exprimer:**

## 16. Француски (Прв странски јазик) - Општо образование

Прашање

**Lisez le texte et répondez aux questions en cochant la bonne case.**

*Camille et Romuald*

*Ont la joie de vous faire part de leur mariage.*

*Les cérémonies civile et religieuse seront célébrées*

*le samedi 2 juin 2001*

*à 16h 30 à la mairie et à 17h au temple de Moussac.*

*Nous serions heureux de vous retrouver après les cérémonies*

*Au "Foyer" pour l'apéritif.*

*M. et Mme Dupont*

*M. et Mme Charles*

**De quel type de texte s'agit-il?**

## 16. Француски (Прв странски јазик) - Општо образование

Прашање

**Lisez le texte et répondez aux questions en cochant la bonne case.**

*Camille et Romuald*

*Ont la joie de vous faire part de leur mariage.*

*Les cérémonies civile et religieuse seront célébrées*

*le samedi 2 juin 2001*

*à 16h 30 à la mairie et à 17h au temple de Moussac.*

*Nous serions heureux de vous retrouver après les cérémonies*

*Au "Foyer" pour l'apéritif.*

*M. et Mme Dupont*

*M. et Mme Charles*

**Le cocktail aura lieu:**



## 16. Француски (Прв странски јазик) - Општо образование

Прашање

**Lisez le texte et répondez aux questions en cochant la bonne case.**

*Camille et Romuald*

*Ont la joie de vous faire part de leur mariage.*

*Les cérémonies civile et religieuse seront célébrées*

*le samedi 2 juin 2001*

*à 16h 30 à la mairie et à 17h au temple de Moussac.*

*Nous serions heureux de vous retrouver après les cérémonies*

*Au "Foyer" pour l'apéritif.*

*M. et Mme Dupont*

*M. et Mme Charles*

**Qui va se marier?**

## 16. Француски (Прв странски јазик) - Општо образование

Прашање

**Lisez le texte et répondez aux questions en cochant la bonne case.**

*Camille et Romuald*

*Ont la joie de vous faire part de leur mariage.*

*Les cérémonies civile et religieuse seront célébrées*

*le samedi 2 juin 2001*

*à 16h 30 à la mairie et à 17h au temple de Moussac.*

*Nous serions heureux de vous retrouver après les cérémonies*

*Au "Foyer" pour l'apéritif.*

*M. et Mme Dupont*

*M. et Mme Charles*

**Cela se passera pendant:**

## 16. Француски (Прв странски јазик) - Општо образование

Прашање

**Lisez le message suivant et répondez aux questions en cochant la bonne case.**

Paris, le 15 juin 2014

Ma chère Claire,

Je suis très heureux de te confirmer que mes parents sont enfin d'accord : ils t'invitent dans notre résidence secondaire en Bourgogne pour les prochaines vacances. Si tu acceptes, tu vas découvrir cette belle région et ses vignobles , goûter les meilleurs vins- notre gastronomie est très réputée. On va pouvoir également faire des excursions, visiter une usine et voir comment on fabrique la fameuse moutarde de Dijon. Il ne faut pas non plus oublier les balades dans les ruelles du vieux quartier de la ville, ni la possibilité de mieux connaître l'histoire car nous avons beaucoup de monuments. J'attends ta réponse avec impatience et j'espère te revoir très bientôt. Bien amicalement, Luc

**De quel type de document s'agit-il ?**

## 16. Француски (Прв странски јазик) - Општо образование

Прашање

**Lisez le message suivant et répondez aux questions en cochant la bonne case.**

Paris, le 15 juin 2014

Ma chère Claire,

Je suis très heureux de te confirmer que mes parents sont enfin d'accord : ils t'invitent dans notre résidence secondaire en Bourgogne pour les prochaines vacances. Si tu acceptes, tu vas découvrir cette belle région et ses vignobles , goûter les meilleurs vins- notre gastronomie est très réputée. On va pouvoir également faire des excursions, visiter une usine et voir comment on fabrique la fameuse moutarde de Dijon. Il ne faut pas non plus oublier les balades dans les ruelles du vieux quartier de la ville, ni la possibilité de mieux connaître l'histoire car nous avons beaucoup de monuments. J'attends ta réponse avec impatience et j'espère te revoir très bientôt. Bien amicalement, Luc

**Luc est heureux parce que :**

## 16. Француски (Прв странски јазик) - Општо образование

Прашање

**Lisez le message suivant et répondez aux questions en cochant la bonne case.**

Paris, le 15 juin 2014

Ma chère Claire,

Je suis très heureux de te confirmer que mes parents sont enfin d'accord : ils t' invitent dans notre résidence secondaire en Bourgogne pour les prochaines vacances. Si tu acceptes, tu vas découvrir cette belle région et ses vignobles , goûter les meilleurs vins- notre gastronomie est très réputée. On va pouvoir également faire des excursions, visiter une usine et voir comment on fabrique la fameuse moutarde de Dijon. Il ne faut pas non plus oublier les balades dans les ruelles du vieux quartier de la ville, ni la possibilité de mieux connaître l'histoire car nous avons beaucoup de monuments. J'attends ta réponse avec impatience et j'espère te revoir très bientôt. Bien amicalement, Luc

**Claire, où va-t-elle rencontrer Luc?**

## 16. Француски (Прв странски јазик) - Општо образование

Прашање

**Lisez le message suivant et répondez aux questions en cochant la bonne case.**

Paris, le 15 juin 2014

Ma chère Claire,

Je suis très heureux de te confirmer que mes parents sont enfin d'accord : ils t'invitent dans notre résidence secondaire en Bourgogne pour les prochaines vacances. Si tu acceptes, tu vas découvrir cette belle région et ses vignobles , goûter les meilleurs vins- notre gastronomie est très réputée. On va pouvoir également faire des excursions, visiter une usine et voir comment on fabrique la fameuse moutarde de Dijon. Il ne faut pas non plus oublier les balades dans les ruelles du vieux quartier de la ville, ni la possibilité de mieux connaître l'histoire car nous avons beaucoup de monuments. J'attends ta réponse avec impatience et j'espère te revoir très bientôt. Bien amicalement, Luc

**La résidence secondaire de Luc se trouve à :**

## 16. Француски (Прв странски јазик) - Општо образование

Прашање

**Lisez le message suivant et répondez aux questions en cochant la bonne case.**

Paris, le 15 juin 2014

Ma chère Claire,

Je suis très heureux de te confirmer que mes parents sont enfin d'accord : ils t'invitent dans notre résidence secondaire en Bourgogne pour les prochaines vacances. Si tu acceptes, tu vas découvrir cette belle région et ses vignobles , goûter les meilleurs vins- notre gastronomie est très réputée. On va pouvoir également faire des excursions, visiter une usine et voir comment on fabrique la fameuse moutarde de Dijon. Il ne faut pas non plus oublier les balades dans les ruelles du vieux quartier de la ville, ni la possibilité de mieux connaître l'histoire car nous avons beaucoup de monuments. J'attends ta réponse avec impatience et j'espère te revoir très bientôt. Bien amicalement, Luc

**Luc, qu'est-ce qu'il propose à Claire de faire dans les ruelles du vieux quartier de la ville ?**

## 16. Француски (Прв странски јазик) - Општо образование

Прашање

**Lisez le message suivant et répondez aux questions en cochant la bonne case.**

Paris, le 15 juin 2014

Ma chère Claire,

Je suis très heureux de te confirmer que mes parents sont enfin d'accord : ils t'invitent dans notre résidence secondaire en Bourgogne pour les prochaines vacances. Si tu acceptes, tu vas découvrir cette belle région et ses vignobles , goûter les meilleurs vins- notre gastronomie est très réputée. On va pouvoir également faire des excursions, visiter une usine et voir comment on fabrique la fameuse moutarde de Dijon. Il ne faut pas non plus oublier les balades dans les ruelles du vieux quartier de la ville, ni la possibilité de mieux connaître l'histoire car nous avons beaucoup de monuments. J'attends ta réponse avec impatience et j'espère te revoir très bientôt. Bien amicalement, Luc

**Qu'est qui a une bonne réputation ?**



## 16. Француски (Прв странски јазик) - Општо образование

Прашање

**Lisez le message suivant et répondez aux questions en cochant la bonne case.**

Paris, le 15 juin 2014

Ma chère Claire,

Je suis très heureux de te confirmer que mes parents sont enfin d'accord : ils t'invitent dans notre résidence secondaire en Bourgogne pour les prochaines vacances. Si tu acceptes, tu vas découvrir cette belle région et ses vignobles , goûter les meilleurs vins- notre gastronomie est très réputée. On va pouvoir également faire des excursions, visiter une usine et voir comment on fabrique la fameuse moutarde de Dijon. Il ne faut pas non plus oublier les balades dans les ruelles du vieux quartier de la ville, ni la possibilité de mieux connaître l'histoire car nous avons beaucoup de monuments. J'attends ta réponse avec impatience et j'espère te revoir très bientôt. Bien amicalement, Luc

**Luc espère que :**

## 16. Француски (Прв странски јазик) - Општо образование

Прашање

**Lisez le message suivant et répondez aux questions en cochant la bonne case.**

Paris, le 15 juin 2014

Ma chère Claire,

Je suis très heureux de te confirmer que mes parents sont enfin d'accord : ils t'invitent dans notre résidence secondaire en Bourgogne pour les prochaines vacances. Si tu acceptes, tu vas découvrir cette belle région et ses vignobles , goûter les meilleurs vins- notre gastronomie est très réputée. On va pouvoir également faire des excursions, visiter une usine et voir comment on fabrique la fameuse moutarde de Dijon. Il ne faut pas non plus oublier les balades dans les ruelles du vieux quartier de la ville, ni la possibilité de mieux connaître l'histoire car nous avons beaucoup de monuments. J'attends ta réponse avec impatience et j'espère te revoir très bientôt. Bien amicalement, Luc

**Claire va aller en Bourgogne:**

## 16. Француски (Прв странски јазик) - Општо образование

Прашање

**Lisez attentivement le texte et r  
é  
pondez en cochant la bonne case.**

Cher Nicolas,

Du 23 décembre au 2 janvier, nous allons faire du ski à Bisanne. Julien nous prête son appartement. Nous invitons Carine, l` amie de Margot. Est-ce que tu veux venir avec nous ?

Paul et Sylvie

**Qui envoie la lettre?**

## 16. Француски (Прв странски јазик) - Општо образование

Прашање

**Lisez attentivement le texte et r  
é  
pondez en cochant la bonne case.**

Cher Nicolas,  
Du 23 décembre au 2 janvier, nous allons faire du ski à Bisanne. Julien nous prête son appartement. Nous invitons Carine, l` amie de Margot. Est-ce que tu veux venir avec nous ?

Paul et Sylvie

**Où seront-ils logés?**

## 16. Француски (Прв странски јазик) - Општо образование

Прашање

**Lisez attentivement le texte et r  
é  
pondez en cochant la bonne case.**

Cher Nicolas,  
Du 23 décembre au 2 janvier, nous allons faire du ski à Bisanne. Julien nous prête son appartement. Nous invitons Carine, l` amie de Margot. Est-ce que tu veux venir avec nous ?

Paul et Sylvie

**De quelle saison s`agit-il dans le texte?**

## 16. Француски (Прв странски јазик) - Општо образование

Прашање

**Lisez attentivement le texte et r  
é  
pondez en cochant la bonne case.**

Cher Nicolas,  
Du 23 décembre au 2 janvier, nous allons faire du ski à Bisanne. Julien nous prête son appartement. Nous invitons Carine, l` amie de Margot. Est-ce que tu veux venir avec nous ?

Paul et Sylvie

**Qu'est-ce qu'on propose dans le texte?**

## 16. Француски (Прв странски јазик) - Општо образование

Прашање

**Lisez attentivement le texte et r  
é  
pondez en cochant la bonne case.**

Florence,

Je ne rentre pas manger à midi et je travaille cet après-midi jusqu' à 19 h. Je ne peux pas aller avec toi au supermarché pour faire les achats. Je te laisse 20 euros. Le Coca et le lait sont dans le frigo. On fera la pâte à crêpes ensemble quand je reviendrai.

À ce soir.

Bises,

Maman.

Qu`est-ce que voulait faire la mère de Florence pendant la pause de déjeuner?

## 16. Француски (Прв странски јазик) - Општо образование

Прашање

**Lisez attentivement le texte et r  
é  
pondez en cochant la bonne case.**

Florence,

Je ne rentre pas manger à midi et je travaille cet après-midi jusqu' à 19 h. Je ne peux pas aller avec toi au supermarché pour faire les achats. Je te laisse 20 euros. Le Coca et le lait sont dans le frigo. On fera la pâte à crêpes ensemble quand je reviendrai.

À tout à l' heure,

Bises,

Maman.

**Florence, qu'est-ce qu'elle doit faire?**



## 16. Француски (Прв странски јазик) - Општо образование

Прашање

**Lisez attentivement le texte et r  
é  
pondez en cochant la bonne case.**

Florence,

Je ne rentre pas manger à midi et je travaille cet après-midi jusqu' à 19 h. Je ne peux pas aller avec toi au supermarché pour faire les achats. Je te laisse 20 euros. Le Coca et le lait sont dans le frigo. On fera la pâte à crêpes ensemble quand je reviendrai.

À tout à l' heure,

Bises,

Maman.

**Qui fera la pâte à crêpes?**

## 16. Француски (Прв странски јазик) - Општо образование

Прашање

**Lisez attentivement le texte et r  
é  
pondez en cochant la bonne case.**

Florence,

Je ne rentre pas manger à midi et je travaille cet après-midi jusqu' à 19 h. Je ne peux pas aller avec toi au supermarché pour faire les achats. Je te laisse 20 euros. Le Coca et le lait sont dans le frigo. On fera la pâte à crêpes ensemble quand je reviendrai.

À tout à l' heure,

Bises,

Maman.

**La mère, qu'est-ce qu'elle laisse à Florence?**

## 16. Француски (Прв странски јазик) - Општо образование

Прашање

**Lisez attentivement le texte et r  
é  
pondez en cochant la bonne case.**

Florence,

Je ne rentre pas manger à midi et je travaille cet après-midi jusqu' à 19 h. Je ne peux pas aller avec toi au supermarché pour faire les achats. Je te laisse 20 euros. Le Coca et le lait sont dans le frigo. On fera la pâte à crêpes ensemble quand je reviendrai.

À tout à l' heure,

Bises,

Maman.

Le Coca, тоа е:

Quel verbe est conjugué au futur proche?

Trouvez le nombre ordinal 2.

Trouvez le verbe conjugué au conditionnel présent.

Trouvez le verbe qui est conjugué au futur simple.

Choisissez la conjonction convenable pour la phrase suivante : \_\_\_\_\_ je me lève tôt, j'arriverai à temps à l'école.

## 16. Француски (Прв странски јазик) - Општо образование

Прашање

Complétez la phrase suivante avec le pronom indéfini qui convient: Il boit\_\_\_\_\_.

Quel adverbe utilise-t-on pour exprimer une action au passé ?

Choisissez le mot qui manque dans la phrase suivante: J`aurais voulu savoir..... la gare est loin d`ici.

Cochez l`adverbe de temps parmi les mots proposés.

Cochez la préposition correcte dans la phrase: Elle pense beaucoup \_\_\_\_ lui.

Complétez la phrase avec la préposition correcte: La mère de Marie entre \_\_\_\_\_ la maison.

Répondez à la question: Pourquoi tu n`es pas venu?

Trouvez l`équivalent des mots soulignés: Chaque dimanche matin, je fais le ménage.

Cochez le discours indirect de la phrase: Tu es né en France?

Trouvez la forme correcte du discours indirect de la question suivante: Qu`est-ce tu dessines?

Trouvez la forme correcte du verbe aller au futur simple dans la phrase: Demain, nous ..... à la plage.

## 16. Француски (Прв странски јазик) - Општо образование

Прашање

Avec quelle phrase exprime-t-on une action au passé récent?

Complétez la phrase avec la forme correcte de l'adjectif nouveau: Tu vois ce .....hôtel?

Cochez les données qui conviennent à la phrase suivante: La Peugeot est plus rapide que la Citroën.

Cochez le nombre ordinal qui convient dans la phrase: Paul a 16 ans. C'est son \_\_\_\_\_anniversaire.

Choisissez le verbe correct au futur pour compléter la phrase: Ce soir tu.....un disque de pop.

Complétez avec l'adverbe qui convient: \_\_\_\_\_, tu dois consulter un médecin, puis, prendre des médicaments.

Choisissez la phrase correcte au discours indirect de la phrase suivante: Le professeur dit à Paul : Viens!

Choisissez la réponse correcte à la question suivante: Elle aime quelqu'un?

Trouvez la forme correcte du verbe partir : Demain, je \_\_\_\_\_ en vacances en Croatie.

Continuez la phrase suivante avec le mode verbale correcte: Je voudrais \_\_\_\_\_

Cochez la bonne question à la réponse suivante: Je voyage en bateau.

## 16. Француски (Прв странски јазик) - Општо образование

Прашање

Trouvez la réponse à la question suivante: Pourquoi es-tu allé au supermarché?

Choisissez la forme correcte du verbe sortir dans la phrase suivante: Il est 4 heures. À 4h05 il \_\_\_\_\_.

Trouvez la phrase de signification contraire à la phrase suivante: Personne de mes amies n`est arrivé.

Trouvez la négation à la phrase suivante: J'aime quelqu'un.

Avec quelle phrase exprime-t-on la cause?

Choisissez le pronom indéfini pour complétez la phrase suivante: Je regarde \_\_\_\_\_ à la télévision.

Complétez la phrase : \_\_\_\_\_ dernier nous sommes allés en excursion.

Choisissez le mot qui manque dans la phrase suivante : Il ne voyage \_\_\_\_\_ en voiture.

Cochez la phrase avec laquelle on demande poliment quelque chose.

Trouvez la phrase avec laquelle on exprime un souhait.

## 16. Француски (Прв странски јазик) - Општо образование

Прашање

Complétez la phrase pour qu'elle exprime un regret: \_\_\_\_\_, tu n'as pas de chance.

Avec l'expression: Je pense que ... on exprime:

Paul doit passer l'examen d'histoire. Vous lui conseillez:

Complétez la phrase pour qu'elle exprime le doute: \_\_\_\_\_  
qu'elle nous invite chez elle.

Dans quelle phrase on n'exprime pas un doute?

Trouvez la phrase avec laquelle on exprime un conseil.

Comment donne-t-on un conseil?

Quand je suis désolé, je dis:

Elle est très contente du concert. Elle dit:

Choisissez la phrase avec laquelle on exprime une impossibilité.

Complétez la phrase pour qu'elle exprime un souhait: J'ai \_\_\_\_\_ d'aller au concert.

## 16. Француски (Прв странски јазик) - Општо образование

Прашање

Mettez l'expression qui convient pour exprimer votre opinion dans la phrase:  
\_\_\_\_\_ il est chanteur.

Comment demande-t-on l'opinion?

**Complétez la phrase pour qu'elle exprime la certitude: \_\_\_\_\_  
que vous ferez bien ce travail.**

On exprime la probabilité avec la phrase:

Quelle phrase exprime une possibilité?

On demande une opinion par la phrase:

Avec quelle expression exprime-t-on une opinion?

Complétez la phrase pour qu'elle exprime un souhait: \_\_\_\_\_ bien  
participer au concours.

Vous voulez exprimer la possibilité. Vous dites:

Trouvez la phrase dans laquelle on exprime la certitude.

Dans quelle phrase on parle d'un souhait?



## 16. Француски (Прв странски јазик) - Општо образование

Прашање

Comment exprime-t-on un souhait?

Avec quelle phrase on exprime une possibilité?

Cochez la phrase exprimant le regret

Trouvez la phrase dans laquelle on exprime un souhait.

Pour exprimer la probabilité on dit:

Comment donne -t-on une opinion?

Avec quelle phrase exprime-t-on une probabilité?

Avec la phrase: Pour moi, votre projet est excellent. on exprime :

Avec la phrase suivante: J'ai envie d'aller en Tunisie. on exprime :

Avec la phrase: Je suis sûr que tu réussiras à l'examen. on exprime :

Avec la phrase: Il vaut mieux partir de bonne heure. on exprime:

Répondez comment on peut réagir à l'expression: Hier, Madame Leblanc s'est cassée la jambe.

Il faut lui donner un conseil: Il m'a invité, mais je ne sais pas quoi faire.

## 16. Француски (Прв странски јазик) - Општо образование

Прашање

Complétez la phrase: Je \_\_\_\_\_ que tu viennes avec nous au cinéma. pour qu'elle exprime un souhait.

Complétez la phrase avec l'expression de certitude: Nous sommes ..... d'avoir bien joué.

Avec la phrase: C'est sans doute un artiste. on exprime:

Avec la phrase: Qui, sans aucun doute. On exprime:

Avec la phrase : Je crois que c'est vrai. on exprime :

Avec la phrase: J'en suis sûr. on exprime :

Avec la phrase : Comment vous trouvez la situation? on demande :

Avec la phrase: Vous devriez attendre le médecin. on exprime:

Trouvez la réponse à la question suivante: Quel est votre avis?

Cochez le mot qui signifie un moyen de transport.

Cochez le mot qui n'est pas du domaine de la presse.

## 16. Француски (Прв странски јазик) - Општо образование

Прашање

Quel mot est lié au programme télévisé?

Où peut-on aller en vacances?

Cochez le mot lié à l'environnement.

Cochez le mot qui signifie une émission télévisée.

Qu'est-ce qu'il y a au centre d'une grande ville?

Qu'est-ce qu'il nous faut pour écouter la météo?

Qu'est-ce qu'on ne trouve pas à la campagne?

Il est pilote. Il conduit \_\_\_\_\_.

Quel est le contraire du mot méchant?

Quel est le contraire du mot ennuyeux?

Trouvez le mot contraire du mot égoïste.

Trouvez le contraire du mot timide.

Trouvez le mot qui signifie la mauvaise humeur.

## 16. Француски (Прв странски јазик) - Општо образование

Прашање

À 12 heures, c'est \_\_\_\_\_.

Trouvez le mot qui n'est pas lié au thème: Presse.

Trouvez le mot qui n'est pas lié au thème: Famille.

Trouvez le mot qui est lié à l'environnement.

Trouvez le mot qui manque dans la phrase: Devant mon.....  
il y a un grand jardin.

Continuez la phrase suivante: Il a un physique agréable, il est  
donc\_\_\_\_\_.

Complétez la phrase: J'ai ..... à l'Association des lycéens.

Elle peut m'écrire un e-mail sur \_\_\_\_\_.

Continuez la phrase: On fait les bagages pour \_\_\_\_\_.

Continuez la phrase suivante: Je prend l'autoroute de Lyon , je voyage en  
\_\_\_\_\_.

C'est 20 heures. J'ai une réunion à 19heures 15. Je suis\_\_\_\_\_.

Continuez la phrase: Demain , j 'ai un vol, je vais \_\_\_\_\_.

## 16. Француски (Прв странски јазик) - Општо образование

Прашање

Continuez la phrase: Elle est allée dans le magasin pour \_\_\_\_\_.

On voyage en mer en \_\_\_\_\_.

Continuez la phrase suivante: Mon voisin cherche du travail, il est donc au \_\_\_\_\_.

Complétez la phrase: Je sais que tu as des disques de techno, tu peux les \_\_\_\_\_ à la fête?

Continuez la phrase: Elle est de bonne humeur, donc, elle \_\_\_\_\_.

Continuez la phrase suivante: Elle n'aime pas travailler, elle est donc \_\_\_\_\_.

Cochez la forme correcte du verbe prendre au futur simple.

Quelle est la forme correcte du verbe appeler au futur proche ?

Cochez la préposition de lieu parmi les mots suivants.

Trouvez le pronom indéfini parmi les mots suivants.

Trouvez l'adverbe de lieu.

Quel verbe est conjugué au futur proche?

Trouvez le mot interrogatif.

## 16. Француски (Прв странски јазик) - Општо образование

Прашање

Quel verbe est conjugué au conditionnel présent ?

Cochez l'adverbe de temps parmi les mots suivants.

Cochez la forme correcte de l'adjectif beau: C'est un \_\_\_\_\_ enfant."

La phrase: Ils ne connaissent que l'anglais.

Complétez la phrase suivante avec la forme correcte de l'adjectif tout: Ils font du sport, ..... le temps.

Trouvez la préposition de lieu.

Dans quelle phrase il y a une comparaison?

Quelle phrase indique une action au futur?

Dans quelle phrase on parle du passé?

Trouvez la phrase dans laquelle il est employé le discours indirect.

Choisissez la préposition correspondante: Notre maison se trouve \_\_\_\_\_ cinéma Rex.

Complétez la phrase avec la conjonction correcte: Il écrit sa biographie professionnelle \_\_\_\_\_ se présenter à un concours.

Complétez la phrase: On vend ces spécialités \_\_\_\_\_ ils sont délicieuses.

## 16. Француски (Прв странски јазик) - Општо образование

Прашање

Complétez la phrase suivante afin d'exprimer une comparaison: La Macédoine est \_\_\_\_\_ la France.

Complétez la phrase suivante avec la forme correcte du verbe parler: Lundi prochain, je \_\_\_\_\_ avec notre directrice.

Choisissez la réponse correspondante à la question suivante:  
Vous travaillez encore chez Rex?

Cochez la forme du verbe qui correspond: Tous les soirs, pendant les vacances de l'année passé, on \_\_\_\_\_ se promener au bord de la mer.

Complétez la phrase avec la forme correcte du verbe aller: Dans trois mois, il \_\_\_\_\_ en vacances.

Choisissez la réponse négative correcte à la question : Qu'est ce que tu fais?

Choisissez la forme du verbe pour compléter la phrase : Si j'aide l'argent, je \_\_\_\_\_ pour Paris.

Trouvez la comparaison correcte selon les indications suivantes. Marc a 25 ans. Claude a 37 ans.

Cochez la bonne question à la réponse suivante: Je suis au bureau.

Trouvez la réponse correcte à la question suivante: Pourquoi as-tu appelé Paul?

## 16. Француски (Прв странски јазик) - Општо образование

Прашање

Choisissez la négation correcte à la question suivante: Tu vois quelqu'un dans le jardin?

Choisissez la réponse correcte à la question suivante: Elle attend quelqu'un devant le bar?

Choisissez la forme correcte du verbe écouter : Ce soir tu.....un disque de pop.

Trouvez l'équivalent des mots soulignés: Chaque dimanche matin, je fais le ménage.

Choisissez la forme correcte du verbe dans la phrase: Chaque été je.....en Espagne

Choisissez la forme correcte de l'adjectif tout: \_\_\_\_\_ les filles de la classe sont travailleuses.

Cochez le conseil correct.

Trouvez le souhait correspondant à cette expression: L'examen commence!

Trouvez la phrase avec laquelle on donne un conseil.

Avec la phrase suivante: J'aimerais être riche. on exprime:



## 16. Француски (Прв странски јазик) - Општо образование

Прашање

Compléter la phrase pour exprimer un souhait: \_\_\_\_\_ voyager en France.

Cochez la phrase avec laquelle on exprime la certitude.

Choisissez la phrase avec laquelle on exprime le doute.

Avec quelle phrase exprime-t-on une opinion ?

Comment exprime-t-on l'opinion?

Qu'est-ce qu'on dit pour exprimer l'hésitation?

Cochez la phrase avec laquelle on exprime un regret.

Je voudrais apprendre le français. Qu'est-ce que tu me conseilles ?

Choisissez la phrase qui exprime le regret.

Pour exprimer un souhait on dit:

On exprime la probabilité avec la phrase:

## 16. Француски (Прв странски јазик) - Општо образование

Прашање

Cochez l'expression qui convient pour exprimer l'impossibilité dans la phrase:  
\_\_\_\_\_ qu'elle rentre ce soir des vacances.

Choisissez la bonne réponse à la question suivante pour exprimer la certitude: Tu es sûr qu'il pleuvra demain?

Cochez la phrase avec laquelle on exprime le doute.

Quelle est la bonne question pour demander une opinion?

Trouvez la phrase avec laquelle on exprime un souhait.

Comment demande-t-on l'opinion?

Trouvez la phrase avec laquelle on exprime l'opinion.

Comment peut-on donner un conseil?

Cochez la phrase qui exprime une opinion.

Comment exprime-t-on le regret?

Comment exprime-t-on la possibilité?

## 16. Француски (Прв странски јазик) - Општо образование

Прашање

Avec la phrase: Nous préférons jouer au football. on exprime :

Avec quelle phrase on n'exprime pas le doute ?

Comment peut-on exprimer la certitude?

Comment exprime-t-on l' impossibilité?

Répondez comment on peut réagir à la phrase suivante: Malheureusement, le voyage est annulé.

Avec la phrase: C`est peut-être ma mère au téléphone. on exprime:

Avec la phrase: Peut-être qu'il arrivera tôt. on exprime :

Comment exprime-t-on la certitude?

Notre ami nous a dit :Il m'a invité, mais je ne sais pas quoi faire. Qu'est-ce qu'on lui répond ?

Avec la phrase: N'oubliez pas de prendre votre parapluie! on exprime:

Avec la phrase suivante: Moi, à ta place, je partirais demain en vacances. on exprime :

## 16. Француски (Прв странски јазик) - Општо образование

Прашање

Avec la phrase suivante: J'ai envie d'étudier en France. on exprime:

Comment doit-on compléter la phrase: \_\_\_\_\_, je prendrais ce pull-ci. pour exprimer un conseil?

Compléter la phrase: \_\_\_\_\_, il est capable de s'engager dans le projet. pour qu'elle exprime un avis.

Compléter la phrase : J'\_\_\_\_\_ passer un week-end au Mexique. pour exprimer un souhait.

Avec la phrase suivante: Il faut réfléchir bien à ce problème. on exprime :

Avec la phrase: Je suis sûr que vous accepterez cette proposition. on exprime:

Complétez la phrase: Je \_\_\_\_\_ que tu aimes ta profession. pour exprimer l'incertitude.

Mettez le verbe correct dans la phrase: Je \_\_\_\_\_ que tu aies de la chance aujourd'hui. pour exprimer le souhait.

## 16. Француски (Прв странски јазик) - Општо образование

Прашање

**Lisez attentivement le texte suivant et puis répondez en cochant la bonne case.**

Merci de me garder Lulu! Je rentre dans quatre jours. Voici quelques recommandations:

- Donnez-lui à manger une seule fois par jour, le soir de préférence (un peu de croquettes ou une boîte de pâté mais pas les deux à la fois). Il y a aussi des sardines à l'huile.

- Donnez lui à boire: moitié lait, moitié eau.

- Nettoyez sa caisse tous les jours (le matin).

- Attention si vous ouvrez la fenêtre : il ne doit pas sortir! Il ne faut pas non plus le laisser partir dans l'escalier.

Vous verrez, il est très gentil! Encore merci.

Nathalie

**Le texte est:**

## 16. Француски (Прв странски јазик) - Општо образование

Прашање

**Lisez attentivement le texte suivant et puis répondez en cochant la bonne case.**

Merci de me garder Lulu! Je rentre dans quatre jours. Voici quelques recommandations:

- Donnez-lui à manger une seule fois par jour, le soir de préférence (un peu de croquettes ou une boîte de pâté mais pas les deux à la fois). Il y a aussi des sardines à l'huile.

- Donnez lui à boire: moitié lait, moitié eau.

- Nettoyez sa caisse tous les jours (le matin).

- Attention si vous ouvrez la fenêtre : il ne doit pas sortir! Il ne faut pas non plus le laisser partir dans l'escalier.

Vous verrez, il est très gentil! Encore merci.

Nathalie

**Le chat doit boire:**

## 16. Француски (Прв странски јазик) - Општо образование

Прашање

**Lisez attentivement le texte suivant et puis répondez en cochant la bonne case.**

Merci de me garder Lulu! Je rentre dans quatre jours. Voici quelques recommandations:

- Donnez-lui à manger une seule fois par jour, le soir de préférence (un peu de croquettes ou une boîte de pâté mais pas les deux à la fois). Il y a aussi des sardines à l'huile.

- Donnez lui à boire: moitié lait, moitié eau.

- Nettoyez sa caisse tous les jours (le matin).

- Attention si vous ouvrez la fenêtre : il ne doit pas sortir! Il ne faut pas non plus le laisser partir dans l'escalier.

Vous verrez, il est très gentil! Encore merci.

Nathalie

**Le chat, quand mange-t-il?**

## 16. Француски (Прв странски јазик) - Општо образование

Прашање

**Lisez attentivement le texte suivant et puis répondez en cochant la bonne case.**

Merci de me garder Lulu! Je rentre dans quatre jours. Voici quelques recommandations:

- Donnez-lui à manger une seule fois par jour, le soir de préférence (un peu de croquettes ou une boîte de pâté mais pas les deux à la fois). Il y a aussi des sardines à l'huile.

- Donnez lui à boire: moitié lait, moitié eau.

- Nettoyez sa caisse tous les jours (le matin).

- Attention si vous ouvrez la fenêtre : il ne doit pas sortir! Il ne faut pas non plus le laisser partir dans l'escalier.

Vous verrez, il est très gentil! Encore merci.

Nathalie

**À  
quoi doit-on faire attention?**



## 16. Француски (Прв странски јазик) - Општо образование

Прашање

**Lisez le texte et puis cochez la bonne réponse.**

LE GROUPE GLOBE -AIDE .COM

A l'honneur de vous inviter à la réunion de direction  
Le 23 avril à 16 heures  
53, rue de la Liberté  
75007 Paris

Une voiture attendra à l'aéroport Charles de Gaulle nos invités de l'étranger.  
Pour tout renseignement sur la réunion du 23 avril,  
Vous pouvez contacter Laurence au + 33 1 45 15 25.

**La note est:**

## 16. Француски (Прв странски јазик) - Општо образование

Прашање

**Lisez le texte et puis cochez la bonne réponse.**

LE GROUPE GLOBE -AIDE .COM

A l'honneur de vous inviter à la réunion de direction  
Le 23 avril à 16 heures  
53, rue de la Liberté  
75007 Paris

Une voiture attendra à l'aéroport Charles de Gaulle nos invités de l'étranger.  
Pour tout renseignement sur la réunion du 23 avril,  
Vous pouvez contacter Laurence au + 33 1 45 15 25.

**En quelle saison aura lieu la réunion?**

## 16. Француски (Прв странски јазик) - Општо образование

Прашање

**Lisez le texte et puis cochez la bonne réponse.**

LE GROUPE GLOBE -AIDE .COM

A l'honneur de vous inviter à la réunion de direction  
Le 23 avril à 16 heures  
53, rue de la Liberté  
75007 Paris

Une voiture attendra à l'aéroport Charles de Gaulle nos invités de l'étranger.  
Pour tout renseignement sur la réunion du 23 avril,  
Vous pouvez contacter Laurence au + 33 1 45 15 25.

**Qui sera accompagné en voiture?**

## 16. Француски (Прв странски јазик) - Општо образование

Прашање

**Lisez le texte et puis cochez la bonne réponse.**

LE GROUPE GLOBE -AIDE .COM

A l'honneur de vous inviter à la réunion de direction  
Le 23 avril à 16 heures  
53, rue de la Liberté  
75007 Paris

Une voiture attendra à l'aéroport Charles de Gaulle nos invités de l'étranger.  
Pour tout renseignement sur la réunion du 23 avril,  
Vous pouvez contacter Laurence au + 33 1 45 15 25.

**A qui peut-on demander des informations?**

## 16. Француски (Прв странски јазик) - Општо образование

Прашање

**Lisez le texte et puis cochez la bonne réponse.**

LE GROUPE GLOBE -AIDE .COM

A l'honneur de vous inviter à la réunion de direction  
Le 23 avril à 16 heures  
53, rue de la Liberté  
75007 Paris

Une voiture attendra à l'aéroport Charles de Gaulle nos invités de l'étranger.  
Pour tout renseignement sur la réunion du 23 avril,  
Vous pouvez contacter Laurence au + 33 1 45 15 25.

**Comment peut-on avoir les informations nécessaires?**

## 16. Француски (Прв странски јазик) - Општо образование

Прашање

**Lisez le texte et répondez aux questions en cochant la bonne case.**

*Le 8 avril 2014*

*Chère Edith!*

*Quand tu rentreras, demain, de vacances, je serai en Afrique. Je vais faire une série de reportages au Cameroun, en Côte d'Ivoire et au Niger. C'est une décision de Claire. Je crois qu'elle est jalouse de mon succès. Je serai à Yaoundé jusqu'au 15, puis j'irai à Abidjan et de retour, je m'arrêterai quelques jours à Niamey. Je rentrerai vers le 3 du mois prochain.*

*J'emmène Pierre comme cameraman et Christiane comme assistante. (Dommage! Tu es en vacances.)*

*Amuse-toi bien seule dans notre bureau!*

*Amicalement,*

*Ta Patrice*

**Il s'agit:**

## 16. Француски (Прв странски јазик) - Општо образование

Прашање

**Lisez le texte et répondez aux questions en cochant la bonne case.**

*Le 8 avril 2014*

*Chère Edith!*

*Quand tu rentreras, demain, de vacances, je serai en Afrique. Je vais faire une série de reportages au Cameroun, en Côte d'Ivoire et au Niger. C'est une décision de Claire. Je crois qu'elle est jalouse de mon succès. Je serai à Yaoundé jusqu'au 15, puis j'irai à Abidjan et de retour, je m'arrêterai quelques jours à Niamey. Je rentrerai vers le 3 du mois prochain.*

*J'emmène Pierre comme cameraman et Christiane comme assistante. (Dommage! Tu es en vacances.)*

*Amuse-toi bien seule dans notre bureau!*

*Amicalement,*

*Ta Patrice*

**Qui part en Afrique?**

## 16. Француски (Прв странски јазик) - Општо образование

Прашање

**Lisez le texte et répondez aux questions en cochant la bonne case.**

*Le 8 avril 2014*

*Chère Edith!*

*Quand tu rentreras, demain, de vacances, je serai en Afrique. Je vais faire une série de reportages au Cameroun, en Côte d'Ivoire et au Niger. C'est une décision de Claire. Je crois qu'elle est jalouse de mon succès. Je serai à Yaoundé jusqu'au 15, puis j'irai à Abidjan et de retour, je m'arrêterai quelques jours à Niamey. Je rentrerai vers le 3 du mois prochain.*

*J'emmène Pierre comme cameraman et Christiane comme assistante. (Dommage! Tu es en vacances.)*

*Amuse-toi bien seule dans notre bureau!*

*Amicalement,*

*Ta Patrice*

**Qui est en vacances?**



## 16. Француски (Прв странски јазик) - Општо образование

Прашање

**Lisez le texte et répondez aux questions en cochant la bonne case.**

*Le 8 avril 2014*

*Chère Edith!*

*Quand tu rentreras, demain, de vacances, je serai en Afrique. Je vais faire une série de reportages au Cameroun, en Côte d'Ivoire et au Niger. C'est une décision de Claire. Je crois qu'elle est jalouse de mon succès. Je serai à Yaoundé jusqu'au 15, puis j'irai à Abidjan et de retour, je m'arrêterai quelques jours à Niamey. Je rentrerai vers le 3 du mois prochain.*

*J'emmène Pierre comme cameraman et Christiane comme assistante. (Dommage! Tu es en vacances.)*

*Amuse-toi bien seule dans notre bureau!*

*Amicalement,*

*Ta Patrice*

**Qui est jaloux?**

## 16. Француски (Прв странски јазик) - Општо образование

Прашање

**Lisez le texte et répondez aux questions en cochant la bonne case.**

*Le 8 avril 2014*

*Chère Edith!*

*Quand tu rentreras, demain, de vacances, je serai en Afrique. Je vais faire une série de reportages au Cameroun, en Côte d'Ivoire et au Niger. C'est une décision de Claire. Je crois qu'elle est jalouse de mon succès. Je serai à Yaoundé jusqu'au 15, puis j'irai à Abidjan et de retour, je m'arrêterai quelques jours à Niamey. Je rentrerai vers le 3 du mois prochain.*

*J'emmène Pierre comme cameraman et Christiane comme assistante. (Dommage! Tu es en vacances.)*

*Amuse-toi bien seule dans notre bureau!*

*Amicalement,*

*Ta Patrice*

**Edith, quand revient-elle?**

## 16. Француски (Прв странски јазик) - Општо образование

Прашање

**Lisez le texte et répondez aux questions en cochant la bonne case.**

*Le 8 avril 2014*

*Chère Edith!*

*Quand tu rentreras, demain, de vacances, je serai en Afrique. Je vais faire une série de reportages au Cameroun, en Côte d'Ivoire et au Niger. C'est une décision de Claire. Je crois qu'elle est jalouse de mon succès. Je serai à Yaoundé jusqu'au 15, puis j'irai à Abidjan et de retour, je m'arrêterai quelques jours à Niamey. Je rentrerai vers le 3 du mois prochain.*

*J'emmène Pierre comme cameraman et Christiane comme assistante. (Dommage! Tu es en vacances.)*

*Amuse-toi bien seule dans notre bureau!*

*Amicalement,*

*Ta Patrice*

**Patrice part en Afrique pour:**

## 16. Француски (Прв странски јазик) - Општо образование

Прашање

**Lisez le texte et répondez aux questions en cochant la bonne case.**

*Le 8 avril 2014*

*Chère Edith!*

*Quand tu rentreras, demain, de vacances, je serai en Afrique. Je vais faire une série de reportages au Cameroun, en Côte d'Ivoire et au Niger. C'est une décision de Claire. Je crois qu'elle est jalouse de mon succès. Je serai à Yaoundé jusqu'au 15, puis j'irai à Abidjan et de retour, je m'arrêterai quelques jours à Niamey. Je rentrerai vers le 3 du mois prochain.*

*J'emmène Pierre comme cameraman et Christiane comme assistante. (Dommage! Tu es en vacances.)*

*Amuse-toi bien seule dans notre bureau!*

*Amicalement,*

*Ta Patrice*

**Qui a décidé qu'il faut partir?**

## 16. Француски (Прв странски јазик) - Општо образование

Прашање

**Lisez le texte et répondez aux questions en cochant la bonne case.**

*Le 8 avril 2014*

*Chère Edith!*

*Quand tu rentreras, demain, de vacances, je serai en Afrique. Je vais faire une série de reportages au Cameroun, en Côte d'Ivoire et au Niger. C'est une décision de Claire. Je crois qu'elle est jalouse de mon succès. Je serai à Yaoundé jusqu'au 15, puis j'irai à Abidjan et de retour, je m'arrêterai quelques jours à Niamey. Je rentrerai vers le 3 du mois prochain.*

*J'emmène Pierre comme cameraman et Christiane comme assistante. (Dommage! Tu es en vacances.)*

*Amuse-toi bien seule dans notre bureau!*

*Amicalement,*

*Ta Patrice*

**Quelles sont les relations entre Patrice et Edith?**

## 16. Француски (Прв странски јазик) - Општо образование

Прашање

**Lisez le texte et répondez aux questions en cochant la bonne case.**

*Le 8 avril 2014*

*Chère Edith!*

*Quand tu rentreras, demain, de vacances, je serai en Afrique. Je vais faire une série de reportages au Cameroun, en Côte d'Ivoire et au Niger. C'est une décision de Claire. Je crois qu'elle est jalouse de mon succès. Je serai à Yaoundé jusqu'au 15, puis j'irai à Abidjan et de retour, je m'arrêterai quelques jours à Niamey. Je rentrerai vers le 3 du mois prochain.*

*J'emmène Pierre comme cameraman et Christiane comme assistante. (Dommage! Tu es en vacances.)*

*Amuse-toi bien seule dans notre bureau!*

*Amicalement,*

*Ta Patrice*

**Complétez la phrase: Si Edith n'était pas en vacances elle pourrait\_\_\_\_\_.**

## 16. Француски (Прв странски јазик) - Општо образование

Прашање

**Lisez le texte suivant et puis répondez en cochant la réponse correcte.**

L E B O N P L A T  
17, place Ch.de Gaulle -33000 Bordeaux  
Cherche un(e) serveur/serveuse  
Minimum 23 ans,  
deux années d'expérience  
dans la restauration.  
Anglais indispensable.  
Contactez M. Benoit-05 56 10 51 47

**De quel type de document s'agit-il?**

## 16. Француски (Прв странски јазик) - Општо образование

Прашање

**Lisez le texte suivant et puis répondez en cochant la réponse correcte.**

L E B O N P L A T  
17, place Ch.de Gaulle -33000 Bordeaux  
Cherche un(e) serveur/serveuse  
Minimum 23 ans,  
deux années d'expérience  
dans la restauration.  
Anglais indispensable.  
Contactez M. Benoit-05 56 10 51 47

**Qu'est-ce que "Le bon plat"?**



## 16. Француски (Прв странски јазик) - Општо образование

Прашање

**Lisez le texte suivant et puis répondez en cochant la réponse correcte.**

L E B O N P L A T  
17, place Ch.de Gaulle -33000 Bordeaux  
Cherche un(e) serveur/serveuse  
Minimum 23 ans,  
deux années d'expérience  
dans la restauration.  
Anglais indispensable.  
Contactez M. Benoit-05 56 10 51 47

**Quel âge doit avoir le serveur  
/la serveuse?**

## 16. Француски (Прв странски јазик) - Општо образование

Прашање

**Lisez le texte suivant et puis répondez en cochant la réponse correcte.**

L E B O N P L A T  
17, place Ch.de Gaulle -33000 Bordeaux  
Cherche un(e) serveur/serveuse  
Minimum 23 ans,  
deux années d'expérience  
dans la restauration.  
Anglais indispensable.  
Contactez M. Benoit-05 56 10 51 47

**Le/La candidat/e pour le poste de serveur/serveuse devait travailler dans le secteur:**

## 16. Француски (Прв странски јазик) - Општо образование

Прашање

**Lisez le texte suivant et puis répondez en cochant la réponse correcte.**

L E B O N P L A T  
17, place Ch.de Gaulle -33000 Bordeaux  
Cherche un(e) serveur/serveuse  
Minimum 23 ans,  
deux années d'expérience  
dans la restauration.  
Anglais indispensable.  
Contactez M. Benoit-05 56 10 51 47

**"Anglais indispensable " veut dire qu'on cherche un(e) serveur/serveuse qui:**

## 16. Француски (Прв странски јазик) - Општо образование

Прашање

**Lisez le texte suivant et puis répondez en cochant la réponse correcte.**

L E B O N P L A T  
17, place Ch.de Gaulle -33000 Bordeaux  
Cherche un(e) serveur/serveuse  
Minimum 23 ans,  
deux années d'expérience  
dans la restauration.  
Anglais indispensable.  
Contactez M. Benoit-05 56 10 51 47

**Il faut contacter M.Benoit par:**

**Lisez le texte suivant et puis répondez en cochant la réponse correcte.**

Les mers sont malades. Nous devons les sauver. Il ne faut pas jeter des déchets dans la mer, mais dans une poubelle! Ne mettons pas en danger notre futur!

**Dans le texte on parle:**

## 16. Француски (Прв странски јазик) - Општо образование

Прашање

**Lisez le texte suivant et puis répondez en cochant la réponse correcte.**

Les mers sont malades. Nous devons les sauver. Il ne faut pas jeter des déchets dans la mer, mais dans une poubelle! Ne mettons pas en danger notre futur!

**Quel est le message du texte?**

**Lisez le texte suivant et puis répondez en cochant la réponse correcte.**

Les mers sont malades. Nous devons les sauver. Il ne faut pas jeter des déchets dans la mer, mais dans une poubelle! Ne mettons pas en danger notre futur!

**L'expression « Les mers sont malades » signifie que:**

## 16. Француски (Прв странски јазик) - Општо образование

Прашање

**Lisez le texte suivant et puis répondez en cochant la réponse correcte.**

Allô! Bonjour, je voudrais réserver une table pour dix personnes, jeudi 21 heures.

**Dans le texte il s'agit:**

**Lisez le texte suivant et puis répondez en cochant la réponse correcte.**

-Allô! Bonjour, je voudrais réserver une table pour ce soir.  
-Vous serez combien?  
-Dix.

**L'un des interlocuteurs se trouve dans:**

## 16. Француски (Прв странски јазик) - Општо образование

Прашање

**Lisez le texte suivant et puis répondez en cochant la réponse correcte.**

- Allô! Bonjour, je voudrais réserver une table pour ce soir.
- Vous serez combien?
- Dix.

**Combien d'interlocuteurs participent dans la conversation?**

**Lisez le texte suivant et puis répondez en cochant la réponse correcte.**

Tous les voyageurs sont invités à descendre du train. Attention aux bagages.

**Il s'agit d'une:**

## 16. Француски (Прв странски јазик) - Општо образование

Прашање

**Lisez le texte suivant et puis répondez en cochant la réponse correcte.**

Tous les voyageurs sont invités à descendre du train. Attention aux bagages.

**Où peut-on entendre cet énoncé?**

**Lisez le texte suivant et puis répondez en cochant la réponse correcte.**

Tous les voyageurs sont invités à descendre du train. Attention aux bagages.

**Les voyageurs, à quoi doivent-ils faire attention?**



## 16. Француски (Прв странски јазик) - Општо образование

Прашање

**Lisez le texte suivant et puis répondez en cochant la réponse correcte.**

Tous les voyageurs sont invités à descendre du train. Attention aux bagages.

**Les voyageurs se trouvent:**

**Lisez le texte suivant et puis répondez en cochant la réponse correcte.**

Madame, Monsieur,  
Votre fils Léo arrive tous les jours en retard à l'école. Je vous propose un rendez-vous mardi prochain à 17 heures. Vous pouvez me contacter au 04 45 77 09 42.  
Merci,  
Madame Bertrand

**Qui a écrit ce message?**

## 16. Француски (Прв странски јазик) - Општо образование

Прашање

**Lisez le texte suivant et puis répondez en cochant la réponse correcte.**

Madame, Monsieur,  
Votre fils Léo arrive tous les jours en retard à l'école. Je vous propose un rendez-vous mardi prochain à 17 heures. Vous pouvez me contacter au 04 45 77 09 42.  
Merci,  
Madame Bertrand

**Comment peut-on contacter Mme Bertrand?**