

Наставен план: Наставен план за 2 година - техничар за компјутерско управување

1. Англиски (Прв странски јазик) - Општо образование

Прашање

A travel agent is:

A telephone is:

The phrase, "to rise dramatically" means:

Complete the sentence: "At the check-in desk, they weigh your _____."

She wanted to see the paintings of Van Gogh, so she went to:

I don't know Belinda's telephone number but I can look it up in a telephone:

Complete the sentence. "Jane is _____ in tennis."

1. Англиски (Прв странски јазик) - Општо образование

Прашање

An interview is:

Complete the sentence! "It never _____ in the desert."

Finish the sentence: "When you buy something they give you a _____."

What would be the answer to the question: "How much does it cost?"

Finish the sentence with the correct word: "Electricity is a great _____."

Complete the sentence: "Someone's homeland is _____."

Finish the sentence. "He decided _____ for a few minutes."

1. Англиски (Прв странски јазик) - Општо образование

Прашање

What is the short answer to the question: "Does he speak English?"

Which question is in the Future Tense?

Which sentence has a correct word order?

Finish the sentence: "Look at those dark clouds, _____."

1. Англиски (Прв странски јазик) - Општо образование

Прашање

Which sentence expresses comparison?

Complete the sentence: "I'd like _____ Paris one day."

Complete the sentence: "The _____ fit her nicely."

"There is not much tea left." The expression "not much" can be replaced by:

What will be the answer to the following question : "What are you going to do this weekend?"

The sentence "The project will be finished by John", means that:

Finish the sentence: "She was _____ person to hear the news."

1. Англиски (Прв странски јазик) - Општо образование

Прашање

Which sentence is in the Present Perfect Tense?

Finish the sentence: "We have decided _____ school."

Which sentence is negative?

What will be the question for the following sentence? "She will dance with him."

The verb "have" shows possession in:

"OK, I will go to a cocktail party, too." This means that the person:

Finish the sentence! "She enjoys watching _____."

Complete the sentence! "People who are workaholics cannot have many _____."

Complete the sentence! "John _____ 20 miles every afternoon."

1. Англиски (Прв странски јазик) - Општо образование

Прашање

Which sentence is reported speech?

"There is not much coffee left." The expression "not much" can be replaced by:

Fill the gap: "Sally _____ early every morning."

The sentence "Jackie will be taken home by Kate", means that:

How will you tell your friends that you are going to study harder?

Finish the sentence: "We never _____ raw fish."

Which phrase shows that you like something?

Which of the sentences expresses comparison?

How will you tell your friends about your decision?

38. The sentence: "You should be nicer to your friend" is:

1. Англиски (Прв странски јазик) - Општо образование

Прашање

"It irained all night and the roads are flooded", gives information about:

. "My new English teacher is blond and short." Which question suits this answer?

What would be the correct answer to the question: "What was your vacation like?"

Complete the sentence: "I _____ for you for half an hour. Where have you been?"

What would be the correct answer to the question: "Are they getting married next month?"

What would be the correct answer to the question: "Did you mention my name?"

What would be the correct question to the answer: "No, I can't."

1. Англиски (Прв странски јазик) - Општо образование

Прашање

Complete the sentence: "The heavy rains _____ the area five years ago."

Complete the sentence: "They never _____ any food to school."

Complete the sentence: "The Metropol Hotel is _____ than the Millenium Hotel."

Which is the correct comparative sentence?

Complete the sentence: "Will you help me with my school project if I _____ next time?"

1. Англиски (Прв странски јазик) - Општо образование

Прашање

Complete the sentence: "People all _____ the world speak English."

Complete the sentence: "They had a holiday in Greece and they _____ it very much."

Complete the sentence: "I didn't _____ my passport."

Complete the sentence: "I didn't _____ a shower yesterday evening."

Complete the sentence: "She didn't drive _____ work."

1. Англиски (Прв странски јазик) - Општо образование

Прашање

Complete the sentence: "They _____ married in 1986."

Complete the sentence: "My oldest friend is _____ Andy."

Complete the question: " _____ minutes are there in one hour?"

Complete the sentence: "Don't buy _____ bread from the shop."

"Would you like to go to the cinema?" This means that somebody:

"All the students were present at the concert yesterday." This sentence is giving:

The expression : "Look out!" means the same as:

What would be the answer to the question: "What does she look like?"

1. Англиски (Прв странски јазик) - Општо образование

Прашање

When you give a permission, you say:

When you ask: "How much water do you need?", you ask about:

When you make an apology, you say:

Give your friend advice:

When you are able to swim, you say:

When you ask: "How much coffee do you need?", you ask about:

When you meet someone for the first time, you say:

When you like doing something, you say:

**Complete the sentence: "If I had enough money,
_____."**

1. Англиски (Прв странски јазик) - Општо образование

Прашање

When you see a car coming, you say to your friend:

Which is correct?

How would you give information on the timetable?

Complete the sentence : "Tomorrow's a holiday, _____."

Finish the sentence: "Jane is tall and _____."

Complete the sentence: "John says _____ to give up smoking."

"My friend said he _____ to our next meeting."

What is the right response to: "I've lost my phone. Can you help me _____ it?"

If you are quite sure about something, you say:

1. Англиски (Прв странски јазик) - Општо образование

Прашање

What is the short answer to the question: "Does your father work as a teacher?"

How do we ask about the time?

If you hear: "It could be John." You respond with:

If you want to know where the hotel is. you ask:

Sending a Valentine's card to a loved one is a custom that started more than a century ago. Couples give cards to each other, but it is also traditional to send an anonymous card to anyone you secretly love. This practice is particularly common in schools and can be a source of great amusement and embarrassment as everyone tries to work out who sent a card and who has a secret admirer! Valentine's Day symbols on cards include hearts designs, doves, and the figure of the winged angel, Cupid.

What is this passage about?

1. Англиски (Прв странски јазик) - Општо образование

Прашање

Sending a Valentine's card to a loved one is a custom that started more than a century ago. Couples give cards to each other, but it is also traditional to send an anonymous card to anyone you secretly love. This practice is particularly common in schools and can be a source of great amusement and embarrassment as everyone tries to work out who sent a card and who has a secret admirer! Valentine's Day symbols on cards include hearts designs, doves, and the figure of the winged angel, Cupid.

When did the custom of sending Valentine's cards begin?

Sending a Valentine's card to a loved one is a custom that started more than a century ago. Couples give cards to each other, but it is also traditional to send an anonymous card to anyone you secretly love. This practice is particularly common in schools and can be a source of great amusement and embarrassment as everyone tries to work out who sent a card and who has a secret admirer! Valentine's Day symbols on cards include hearts designs, doves, and the figure of the winged angel, Cupid.

What does the word "anonymous" in the text mean?

1. Англиски (Прв странски јазик) - Општо образование

Прашање

Sending a Valentine's card to a loved one is a custom that started more than a century ago. Couples give cards to each other, but it is also traditional to send an anonymous card to anyone you secretly love. This practice is particularly common in schools and can be a source of great amusement and embarrassment as everyone tries to work out who sent a card and who has a secret admirer! Valentine's Day symbols on cards include hearts designs, doves, and the figure of the winged angel, Cupid.

What is a common practice in schools?

Sending a Valentine's card to a loved one is a custom that started more than a century ago. Couples give cards to each other, but it is also traditional to send an anonymous card to anyone you secretly love. This practice is particularly common in schools and can be a source of great amusement and embarrassment as everyone tries to work out who sent a card and who has a secret admirer! Valentine's Day symbols on cards include hearts designs, doves, and the figure of the winged angel, Cupid.

What is a source of great amusement and embarrassment?

1. Англиски (Прв странски јазик) - Општо образование

Прашање

Sending a Valentine's card to a loved one is a custom that started more than a century ago. Couples give cards to each other, but it is also traditional to send an anonymous card to anyone you secretly love. This practice is particularly common in schools and can be a source of great amusement and embarrassment as everyone tries to work out who sent a card and who has a secret admirer! Valentine's Day symbols on cards include hearts designs, doves, and the figure of the winged angel, Cupid.

What are some of the symbols on the cards?

At the turn of the century, America's towns and cities were growing quickly. Families like Samantha's sometimes wanted to get away from crowds and noise and air that was gritty with coal soot. So in the summer they left their city homes for outdoor vacations in the mountains or at the seashore. Railroads made travel to vacation spots quick and easy.

Finish the sentence "America's towns were growing _____."

1. Англиски (Прв странски јазик) - Општо образование

Прашање

At the turn of the century, America's towns and cities were growing quickly. Families like Samantha's sometimes wanted to get away from crowds and noise and air that was gritty with coal soot. So in the summer they left their city homes for outdoor vacations in the mountains or at the seashore. Railroads made travel to vacation spots quick and easy.

According to the passage "families wanted _____."

At the turn of the century, America's towns and cities were growing quickly. Families like Samantha's sometimes wanted to get away from crowds and noise and air that was gritty with coal soot. So in the summer they left their city homes for outdoor vacations in the mountains or at the seashore. Railroads made travel to vacation spots quick and easy.

The air in the cities was:

At the turn of the century, America's towns and cities were growing quickly. Families like Samantha's sometimes wanted to get away from crowds and noise and air that was gritty with coal soot. So in the summer they left their city homes for outdoor vacations in the mountains or at the seashore. Railroads made travel to vacation spots quick and easy.

The phrase "outdoor vacations" means:

1. Англиски (Прв странски јазик) - Општо образование

Прашање

At the turn of the century, America's towns and cities were growing quickly. Families like Samantha's sometimes wanted to get away from crowds and noise and air that was gritty with coal soot. So in the summer they left their city homes for outdoor vacations in the mountains or at the seashore. Railroads made travel to vacation spots quick and easy.

Where did families go for vacations?

At the turn of the century, America's towns and cities were growing quickly. Families like Samantha's sometimes wanted to get away from crowds and noise and air that was gritty with coal soot. So in the summer they left their city homes for outdoor vacations in the mountains or at the seashore. Railroads made travel to vacation spots quick and easy.

What made travel quick and easy?

1. Англиски (Прв странски јазик) - Општо образование

Прашање

Some people think that flowers and chocolates seem a little ordinary and so they look for a more unusual gift. For romantic people with plenty of cash these gifts could include: a helicopter flight, a balloon ride, the chance to test-drive a Ferrari, an all-day session at a health club. Others, however, complain that Valentine's Day is yet another opportunity for ever-increasing commercialism. For true romantics the gift of love is enough. Valentine's Day is a popular day to either propose or get married - you'd never forget your wedding anniversary!

This paragraph is about:

Parents want their kids to be safe. Are teenagers safer with a mobile phone or without? Many parents want their children to have a phone so that they can be in contact at any time or in any place. On the other hand, for lots of parents a phone is a source of possible danger. Parents worry that their child may meet the wrong kind of 'friends' on social networking sites or that they might receive cruel messages from school bullies. Some parents have rules about their children's mobile phone and internet usage and bad behaviour can result in removal of mobile privileges.

What is this text about?

1. Англиски (Прв странски јазик) - Општо образование

Прашање

Parents want their kids to be safe. Are teenagers safer with a mobile phone or without? Many parents want their children to have a phone so that they can be in contact at any time or in any place. On the other hand, for lots of parents a phone is a source of possible danger. Parents worry that their child may meet the wrong kind of 'friends' on social networking sites or that they might receive cruel messages from school bullies. Some parents have rules about their children's mobile phone and internet usage and bad behaviour can result in removal of mobile privileges.

What do parents want their children to be?

Parents want their kids to be safe. Are teenagers safer with a mobile phone or without? Many parents want their children to have a phone so that they can be in contact at any time or in any place. On the other hand, for lots of parents a phone is a source of possible danger. Parents worry that their child may meet the wrong kind of 'friends' on social networking sites or that they might receive cruel messages from school bullies. Some parents have rules about their children's mobile phone and internet usage and bad behaviour can result in removal of mobile privileges.

Why do parents want their children to have a phone?

1. Англиски (Прв странски јазик) - Општо образование

Прашање

Parents want their kids to be safe. Are teenagers safer with a mobile phone or without? Many parents want their children to have a phone so that they can be in contact at any time or in any place. On the other hand, for lots of parents a phone is a source of possible danger. Parents worry that their child may meet the wrong kind of 'friends' on social networking sites or that they might receive cruel messages from school bullies. Some parents have rules about their children's mobile phone and internet usage and bad behaviour can result in removal of mobile privileges.

Why is a phone a source of possible danger for some parents?

Parents want their kids to be safe. Are teenagers safer with a mobile phone or without? Many parents want their children to have a phone so that they can be in contact at any time or in any place. On the other hand, for lots of parents a phone is a source of possible danger. Parents worry that their child may meet the wrong kind of 'friends' on social networking sites or that they might receive cruel messages from school bullies. Some parents have rules about their children's mobile phone and internet usage and bad behaviour can result in removal of mobile privileges.

What does "cruel messages" in the text mean?

1. Англиски (Прв странски јазик) - Општо образование

Прашање

Many of us still don't think that we need to recycle or can't be bothered. Sometimes choosing the correct bin to put our rubbish in and emptying them feels like too much effort. Realistically, separating our rubbish is not that difficult and only takes a few minutes of our time. In some countries people receive money for items that they recycle, mainly plastic and glass bottles. Encouraging recycling through enabling people to earn money has raised awareness of the importance of recycling and people doing this often want to recycle other items.

This passage is about:

Many of us still don't think that we need to recycle or can't be bothered. Sometimes choosing the correct bin to put our rubbish in and emptying them feels like too much effort. Realistically, separating our rubbish is not that difficult and only takes a few minutes of our time. In some countries people receive money for items that they recycle, mainly plastic and glass bottles. Encouraging recycling through enabling people to earn money has raised awareness of the importance of recycling and people doing this often want to recycle other items.

According to the text, how long does separating rubbish take?

1. Англиски (Прв странски јазик) - Општо образование

Прашање

Many of us still don't think that we need to recycle or can't be bothered. Sometimes choosing the correct bin to put our rubbish in and emptying them feels like too much effort. Realistically, separating our rubbish is not that difficult and only takes a few minutes of our time. In some countries people receive money for items that they recycle, mainly plastic and glass bottles. Encouraging recycling through enabling people to earn money has raised awareness of the importance of recycling and people doing this often want to recycle other items.

What do people recycle in some countries?

Many of us still don't think that we need to recycle or can't be bothered. Sometimes choosing the correct bin to put our rubbish in and emptying them feels like too much effort. Realistically, separating our rubbish is not that difficult and only takes a few minutes of our time. In some countries people receive money for items that they recycle, mainly plastic and glass bottles. Encouraging recycling through enabling people to earn money has raised awareness of the importance of recycling and people doing this often want to recycle other items.

Why do people receive money?

1. Англиски (Прв странски јазик) - Општо образование

Прашање

Many of us still don't think that we need to recycle or can't be bothered. Sometimes choosing the correct bin to put our rubbish in and emptying them feels like too much effort. Realistically, separating our rubbish is not that difficult and only takes a few minutes of our time. In some countries people receive money for items that they recycle, mainly plastic and glass bottles. Encouraging recycling through enabling people to earn money has raised awareness of the importance of recycling and people doing this often want to recycle other items.

Complete the sentence: "People who recycle

_____."

However, as I try to learn a new language with the help of music I have come to the conclusion that songs in English are perhaps taking over. I have recently moved to Germany and I decided that to try and help my language learning I would listen to some German songs and bands. This seems like a relatively easy task you say? Surely with the endless amount of radio stations and websites such as YouTube which allow us to listen to pretty much anything, I would be able to easily find a lot of German music?

. What is this passage about?

1. Англиски (Прв странски јазик) - Општо образование

Прашање

However, as I try to learn a new language with the help of music I have come to the conclusion that songs in English are perhaps taking over. I have recently moved to Germany and I decided that to try and help my language learning I would listen to some German songs and bands. This seems like a relatively easy task you say? Surely with the endless amount of radio stations and websites such as YouTube which allow us to listen to pretty much anything, I would be able to easily find a lot of German music?

The phrase „taking over“ in the text means:

However, as I try to learn a new language with the help of music I have come to the conclusion that songs in English are perhaps taking over. I have recently moved to Germany and I decided that to try and help my language learning I would listen to some German songs and bands. This seems like a relatively easy task you say? Surely with the endless amount of radio stations and websites such as YouTube which allow us to listen to pretty much anything, I would be able to easily find a lot of German music?

Where has the author recently moved?

1. Англиски (Прв странски јазик) - Општо образование

Прашање

However, as I try to learn a new language with the help of music I have come to the conclusion that songs in English are perhaps taking over. I have recently moved to Germany and I decided that to try and help my language learning I would listen to some German songs and bands. This seems like a relatively easy task you say? Surely with the endless amount of radio stations and websites such as YouTube which allow us to listen to pretty much anything, I would be able to easily find a lot of German music?

How does the author plan to learn the language?

While Estella lived in London, staying with friends of Miss Havisham's, I often visited her. She had an endless stream of admirers, and I was jealous of all of them. I never had an hour's happiness with her, but I still thought about her, day and night, and my dearest wish was to marry her. Several times Miss Havisham ordered me to bring Estella to visit her, and of course I always obeyed. Estella was as proud and cold as ever, with her admirers, with Miss Havisham and me.

In the passage the word " admirers" means:

1. Англиски (Прв странски јазик) - Општо образование

Прашање

While Estella lived in London, staying with friends of Miss Havisham's, I often visited her. She had an endless stream of admirers, and I was jealous of all of them. I never had an hour's happiness with her, but I still thought about her, day and night, and my dearest wish was to marry her. Several times Miss Havisham ordered me to bring Estella to visit her, and of course I always obeyed. Estella was as proud and cold as ever, with her admirers, with Miss Havisham and me.

The author's wish was:

While Estella lived in London, staying with friends of Miss Havisham's, I often visited her. She had an endless stream of admirers, and I was jealous of all of them. I never had an hour's happiness with her, but I still thought about her, day and night, and my dearest wish was to marry her. Several times Miss Havisham ordered me to bring Estella to visit her, and of course I always obeyed. Estella was as proud and cold as ever, with her admirers, with Miss Havisham and me.

According to the passage, Estella's behavior was:

1. Англиски (Прв странски јазик) - Општо образование

Прашање

While Estella lived in London, staying with friends of Miss Havisham's, I often visited her. She had an endless stream of admirers, and I was jealous of all of them. I never had an hour's happiness with her, but I still thought about her, day and night, and my dearest wish was to marry her. Several times Miss Havisham ordered me to bring Estella to visit her, and of course I always obeyed. Estella was as proud and cold as ever, with her admirers, with Miss Havisham and me.

Complete this sentence! According to the passage, the author was _____ of all of Estella's admirers.

While Estella lived in London, staying with friends of Miss Havisham's, I often visited her. She had an endless stream of admirers, and I was jealous of all of them. I never had an hour's happiness with her, but I still thought about her, day and night, and my dearest wish was to marry her. Several times Miss Havisham ordered me to bring Estella to visit her, and of course I always obeyed. Estella was as proud and cold as ever, with her admirers, with Miss Havisham and me.

Who wanted to marry Estella?

1. Англиски (Прв странски јазик) - Општо образование

Прашање

Recently, my smart phone broke and had to be sent off to the warehouse for repair for a week or so. In the meantime I had to use a really old, basic phone just to keep me in touch with my family and friends. All I could do on this phone was send text messages, make calls and play one game. And I loved it. I loved being free from the internet, and I really didn't mind not having constant updates about what my friends were doing or what the latest celebrity story was. It was quite refreshing and it allowed me to spend more time taking in my surroundings – I could enjoy my time in London more, for example, and I could watch the people around me and really see what was going on.

What is this passage about?

Recently, my smart phone broke and had to be sent off to the warehouse for repair for a week or so. In the meantime I had to use a really old, basic phone just to keep me in touch with my family and friends. All I could do on this phone was send text messages, make calls and play one game. And I loved it. I loved being free from the internet, and I really didn't mind not having constant updates about what my friends were doing or what the latest celebrity story was. It was quite refreshing and it allowed me to spend more time taking in my surroundings – I could enjoy my time in London more, for example, and I could watch the people around me and really see what was going on.

Why did the author have to use an old, basic phone?

1. Англиски (Прв странски јазик) - Општо образование

Прашање

Recently, my smart phone broke and had to be sent off to the warehouse for repair for a week or so. In the meantime I had to use a really old, basic phone just to keep me in touch with my family and friends. All I could do on this phone was send text messages, make calls and play one game. And I loved it. I loved being free from the internet, and I really didn't mind not having constant updates about what my friends were doing or what the latest celebrity story was. It was quite refreshing and it allowed me to spend more time taking in my surroundings – I could enjoy my time in London more, for example, and I could watch the people around me and really see what was going on.

How many games could be played on the old phone?

Recently, my smart phone broke and had to be sent off to the warehouse for repair for a week or so. In the meantime I had to use a really old, basic phone just to keep me in touch with my family and friends. All I could do on this phone was send text messages, make calls and play one game. And I loved it. I loved being free from the internet, and I really didn't mind not having constant updates about what my friends were doing or what the latest celebrity story was. It was quite refreshing and it allowed me to spend more time taking in my surroundings – I could enjoy my time in London more, for example, and I could watch the people around me and really see what was going on.

What does 'taking in my surroundings' mean?

1. Англиски (Прв странски јазик) - Општо образование

Прашање

Recently, my smart phone broke and had to be sent off to the warehouse for repair for a week or so. In the meantime I had to use a really old, basic phone just to keep me in touch with my family and friends. All I could do on this phone was send text messages, make calls and play one game. And I loved it. I loved being free from the internet, and I really didn't mind not having constant updates about what my friends were doing or what the latest celebrity story was. It was quite refreshing and it allowed me to spend more time taking in my surroundings – I could enjoy my time in London more, for example, and I could watch the people around me and really see what was going on.

According to the text, the author _____.

Recently, my smart phone broke and had to be sent off to the warehouse for repair for a week or so. In the meantime I had to use a really old, basic phone just to keep me in touch with my family and friends. All I could do on this phone was send text messages, make calls and play one game. And I loved it. I loved being free from the internet, and I really didn't mind not having constant updates about what my friends were doing or what the latest celebrity story was. It was quite refreshing and it allowed me to spend more time taking in my surroundings – I could enjoy my time in London more, for example, and I could watch the people around me and really see what was going on.

Why did the author love the old phone?

1. Англиски (Прв странски јазик) - Општо образование

Прашање

Recently, my smart phone broke and had to be sent off to the warehouse for repair for a week or so. In the meantime I had to use a really old, basic phone just to keep me in touch with my family and friends. All I could do on this phone was send text messages, make calls and play one game. And I loved it. I loved being free from the internet, and I really didn't mind not having constant updates about what my friends were doing or what the latest celebrity story was. It was quite refreshing and it allowed me to spend more time taking in my surroundings – I could enjoy my time in London more, for example, and I could watch the people around me and really see what was going on.

What could the author enjoy without his smart phone?

Scotland has hundreds of islands. The sea and the islands are important to Scotland and they are never far away. In the south-west, it is easy to go from Glasgow to the Isle of Arran for a day. In the west, things are very different from the cities of the south: the island towns are small; many of the people on Skye and the other islands of the Hebrides speak Gaelic; they do not work or watch TV on Sundays. In the north, the Orkneys and Shetlands are not far from Norway but very far from London! Life is different here.

What is the passage about?

1. Англиски (Прв странски јазик) - Општо образование

Прашање

Scotland has hundreds of islands. The sea and the islands are important to Scotland and they are never far away. In the south-west, it is easy to go from Glasgow to the Isle of Arran for a day. In the west, things are very different from the cities of the south: the island towns are small; many of the people on Skye and the other islands of the Hebrides speak Gaelic; they do not work or watch TV on Sundays. In the north, the Orkneys and Shetlands are not far from Norway but very far from London! Life is different here.

How many islands does Scotland have?

Scotland has hundreds of islands. The sea and the islands are important to Scotland and they are never far away. In the south-west, it is easy to go from Glasgow to the Isle of Arran for a day. In the west, things are very different from the cities of the south: the island towns are small; many of the people on Skye and the other islands of the Hebrides speak Gaelic; they do not work or watch TV on Sundays. In the north, the Orkneys and Shetlands are not far from Norway but very far from London! Life is different here.

Where is Glasgow?

1. Англиски (Прв странски јазик) - Општо образование

Прашање

Scotland has hundreds of islands. The sea and the islands are important to Scotland and they are never far away. In the south-west, it is easy to go from Glasgow to the Isle of Arran for a day. In the west, things are very different from the cities of the south: the island towns are small; many of the people on Skye and the other islands of the Hebrides speak Gaelic; they do not work or watch TV on Sundays. In the north, the Orkneys and Shetlands are not far from Norway but very far from London! Life is different here.

What are the island towns like?

Scotland has hundreds of islands. The sea and the islands are important to Scotland and they are never far away. In the south-west, it is easy to go from Glasgow to the Isle of Arran for a day. In the west, things are very different from the cities of the south: the island towns are small; many of the people on Skye and the other islands of the Hebrides speak Gaelic; they do not work or watch TV on Sundays. In the north, the Orkneys and Shetlands are not far from Norway but very far from London! Life is different here.

Which two places are not far from Norway?

1. Англиски (Прв странски јазик) - Општо образование

Прашање

One evening a black-edged envelope was delivered to me at Herbert's rooms. The letter inside informed me that Mrs. J. Gargery had died the previous Monday, and that the burial would be next Monday, at 3 p.m. This news came as a shock to me. It was the first time that someone close to me had died, and I could not imagine life without my sister, even if I had never loved her, or even thought about her recently.

What did the author receive one evening?

One evening a black-edged envelope was delivered to me at Herbert's rooms. The letter inside informed me that Mrs. J. Gargery had died the previous Monday, and that the burial would be next Monday, at 3 p.m. This news came as a shock to me. It was the first time that someone close to me had died, and I could not imagine life without my sister, even if I had never loved her, or even thought about her recently.

What did the letter say?

1. Англиски (Прв странски јазик) - Општо образование

Прашање

One evening a black-edged envelope was delivered to me at Herbert's rooms. The letter inside informed me that Mrs. J. Gargery had died the previous Monday, and that the burial would be next Monday, at 3 p.m. This news came as a shock to me. It was the first time that someone close to me had died, and I could not imagine life without my sister, even if I had never loved her, or even thought about her recently.

When is the burial?

One evening a black-edged envelope was delivered to me at Herbert's rooms. The letter inside informed me that Mrs. J. Gargery had died the previous Monday, and that the burial would be next Monday, at 3 p.m. This news came as a shock to me. It was the first time that someone close to me had died, and I could not imagine life without my sister, even if I had never loved her, or even thought about her recently.

What was Mrs J. Gargery to the author?

1. Англиски (Прв странски јазик) - Општо образование

Прашање

There are a range of dances which the celebrities learn, from Latin dances such as the salsa, samba and Jive, to the slower ballroom dances such as the waltz and American smooth. My personal favourite thing about watching Strictly Come Dancing is seeing the different beautiful outfits that they all wear, especially the female celebrities and professional dancers. The outfits are made from scratch every week and are made to suit the dancer, the dance, the song and the story being told through the dance. I think all the dresses look very gorgeous every week. The make-up is also fabulous. Lots of celebrities, mainly those famous in the U.K. have participated in Strictly Come Dancing since it was first shown in 2004. BBC newsreaders, singers, actors and sportsmen and women have all participated in the show and they seem to really enjoy the experience.

**What is this text about
?**

1. Англиски (Прв странски јазик) - Општо образование

Прашање

There are a range of dances which the celebrities learn, from Latin dances such as the salsa, samba and Jive, to the slower ballroom dances such as the waltz and American smooth. My personal favourite thing about watching Strictly Come Dancing is seeing the different beautiful outfits that they all wear, especially the female celebrities and professional dancers. The outfits are made from scratch every week and are made to suit the dancer, the dance, the song and the story being told through the dance. I think all the dresses look very gorgeous every week. The make-up is also fabulous. Lots of celebrities, mainly those famous in the U.K. have participated in Strictly Come Dancing since it was first shown in 2004. BBC newsreaders, singers, actors and sportsmen and women have all participated in the show and they seem to really enjoy the experience.

What do they wear at Strictly Come Dancing?

1. Англиски (Прв странски јазик) - Општо образование

Прашање

There are a range of dances which the celebrities learn, from Latin dances such as the salsa, samba and Jive, to the slower ballroom dances such as the waltz and American smooth. My personal favourite thing about watching Strictly Come Dancing is seeing the different beautiful outfits that they all wear, especially the female celebrities and professional dancers. The outfits are made from scratch every week and are made to suit the dancer, the dance, the song and the story being told through the dance. I think all the dresses look very gorgeous every week. The make-up is also fabulous. Lots of celebrities, mainly those famous in the U.K. have participated in Strictly Come Dancing since it was first shown in 2004. BBC newsreaders, singers, actors and sportsmen and women have all participated in the show and they seem to really enjoy the experience.

The expression "made from scratch" means:

1. Англиски (Прв странски јазик) - Општо образование

Прашање

There are a range of dances which the celebrities learn, from Latin dances such as the salsa, samba and Jive, to the slower ballroom dances such as the waltz and American smooth. My personal favourite thing about watching Strictly Come Dancing is seeing the different beautiful outfits that they all wear, especially the female celebrities and professional dancers. The outfits are made from scratch every week and are made to suit the dancer, the dance, the song and the story being told through the dance. I think all the dresses look very gorgeous every week. The make-up is also fabulous. Lots of celebrities, mainly those famous in the U.K. have participated in Strictly Come Dancing since it was first shown in 2004. BBC newsreaders, singers, actors and sportsmen and women have all participated in the show and they seem to really enjoy the experience.

According to the text, what is fabulous?

1. Англиски (Прв странски јазик) - Општо образование

Прашање

There are a range of dances which the celebrities learn, from Latin dances such as the salsa, samba and Jive, to the slower ballroom dances such as the waltz and American smooth. My personal favourite thing about watching Strictly Come Dancing is seeing the different beautiful outfits that they all wear, especially the female celebrities and professional dancers. The outfits are made from scratch every week and are made to suit the dancer, the dance, the song and the story being told through the dance. I think all the dresses look very gorgeous every week. The make-up is also fabulous. Lots of celebrities, mainly those famous in the U.K. have participated in Strictly Come Dancing since it was first shown in 2004. BBC newsreaders, singers, actors and sportsmen and women have all participated in the show and they seem to really enjoy the experience.

Who has participated in Strictly Come Dancing?

1. Англиски (Прв странски јазик) - Општо образование

Прашање

There are a range of dances which the celebrities learn, from Latin dances such as the salsa, samba and Jive, to the slower ballroom dances such as the waltz and American smooth. My personal favourite thing about watching Strictly Come Dancing is seeing the different beautiful outfits that they all wear, especially the female celebrities and professional dancers. The outfits are made from scratch every week and are made to suit the dancer, the dance, the song and the story being told through the dance. I think all the dresses look very gorgeous every week. The make-up is also fabulous. Lots of celebrities, mainly those famous in the U.K. have participated in Strictly Come Dancing since it was first shown in 2004. BBC newsreaders, singers, actors and sportsmen and women have all participated in the show and they seem to really enjoy the experience.

When was Strictly Come Dancing first shown?

1. Англиски (Прв странски јазик) - Општо образование

Прашање

Something very strange happened to Tamara. She never knew she had a twin sister until she started university!

Tamara was born in Mexico. Her parents could not look after her so she went to live with a family in Manhattan, USA.

When Tamara was twenty years old, she started university in Long Island. She enjoyed her university life. But one day she was walking home from class, and a student smiled at her. "Hello Adriana!" said the student. "I'm not Adriana," said Tamara.

This happened to Tamara again and again. People Tamara didn't know kept calling her Adriana. It was very strange. One day, when a woman called her Adriana, Tamara asked "Why do you keep calling me Adriana?"

The woman replied, "You look like my friend Adriana. You have the same face and the same hair. Is Adriana your sister?" Tamara said that she did not have a sister called Adriana. But she was interested in this girl Adriana. Finally she asked someone for Adriana's email address. When Tamara wrote to Adriana, she found out that they both had the same birthday, they looked the same and both of them were from Mexico. When Tamara went to live with the family in Manhattan, Adriana moved to Long Island to live with a family there. It had to be true! Adriana and Tamara were twin sisters!

What is this text about?

1. Англиски (Прв странски јазик) - Општо образование

Прашање

Something very strange happened to Tamara. She never knew she had a twin sister until she started university!

Tamara was born in Mexico. Her parents could not look after her so she went to live with a family in Manhattan, USA.

When Tamara was twenty years old, she started university in Long Island. She enjoyed her university life. But one day she was walking home from class, and a student smiled at her. "Hello Adriana!" said the student. "I'm not Adriana," said Tamara.

This happened to Tamara again and again. People Tamara didn't know kept calling her Adriana. It was very strange. One day, when a woman called her Adriana, Tamara asked "Why do you keep calling me Adriana?"

The woman replied, "You look like my friend Adriana. You have the same face and the same hair. Is Adriana your sister?" Tamara said that she did not have a sister called Adriana. But she was interested in this girl Adriana. Finally she asked someone for Adriana's email address.

When Tamara wrote to Adriana, she found out that they both had the same birthday, they looked the same and both of them were from Mexico. When Tamara went to live with the family in Manhattan, Adriana moved to Long Island to live with a family there. It had to be true! Adriana and Tamara were twin sisters!

Why did Tamara go to live with another family?

1. Англиски (Прв странски јазик) - Општо образование

Прашање

Something very strange happened to Tamara. She never knew she had a twin sister until she started university!

Tamara was born in Mexico. Her parents could not look after her so she went to live with a family in Manhattan, USA.

When Tamara was twenty years old, she started university in Long Island. She enjoyed her university life. But one day she was walking home from class, and a student smiled at her. "Hello Adriana!" said the student. "I'm not Adriana," said Tamara.

This happened to Tamara again and again. People Tamara didn't know kept calling her Adriana. It was very strange. One day, when a woman called her Adriana, Tamara asked "Why do you keep calling me Adriana?"

The woman replied, "You look like my friend Adriana. You have the same face and the same hair. Is Adriana your sister?" Tamara said that she did not have a sister called Adriana. But she was interested in this girl Adriana. Finally she asked someone for Adriana's email address.

When Tamara wrote to Adriana, she found out that they both had the same birthday, they looked the same and both of them were from Mexico. When Tamara went to live with the family in Manhattan, Adriana moved to Long Island to live with a family there. It had to be true! Adriana and Tamara were twin sisters!

Where did Tamara go to university?

1. Англиски (Прв странски јазик) - Општо образование

Прашање

Something very strange happened to Tamara. She never knew she had a twin sister until she started university!

Tamara was born in Mexico. Her parents could not look after her so she went to live with a family in Manhattan, USA.

When Tamara was twenty years old, she started university in Long Island. She enjoyed her university life. But one day she was walking home from class, and a student smiled at her. "Hello Adriana!" said the student. "I'm not Adriana," said Tamara.

This happened to Tamara again and again. People Tamara didn't know kept calling her Adriana. It was very strange. One day, when a woman called her Adriana, Tamara asked "Why do you keep calling me Adriana?"

The woman replied, "You look like my friend Adriana. You have the same face and the same hair. Is Adriana your sister?" Tamara said that she did not have a sister called Adriana. But she was interested in this girl Adriana. Finally she asked someone for Adriana's email address.

When Tamara wrote to Adriana, she found out that they both had the same birthday, they looked the same and both of them were from Mexico. When Tamara went to live with the family in Manhattan, Adriana moved to Long Island to live with a family there. It had to be true! Adriana and Tamara were twin sisters!

Why did people call Tamara Adriana?

1. Англиски (Прв странски јазик) - Општо образование

Прашање

Something very strange happened to Tamara. She never knew she had a twin sister until she started university!

Tamara was born in Mexico. Her parents could not look after her so she went to live with a family in Manhattan, USA.

When Tamara was twenty years old, she started university in Long Island. She enjoyed her university life. But one day she was walking home from class, and a student smiled at her. "Hello Adriana!" said the student. "I'm not Adriana," said Tamara.

This happened to Tamara again and again. People Tamara didn't know kept calling her Adriana. It was very strange. One day, when a woman called her Adriana, Tamara asked "Why do you keep calling me Adriana?"

The woman replied, "You look like my friend Adriana. You have the same face and the same hair. Is Adriana your sister?" Tamara said that she did not have a sister called Adriana. But she was interested in this girl Adriana. Finally she asked someone for Adriana's email address.

When Tamara wrote to Adriana, she found out that they both had the same birthday, they looked the same and both of them were from Mexico. When Tamara went to live with the family in Manhattan, Adriana moved to Long Island to live with a family there. It had to be true! Adriana and Tamara were twin sisters!

How did Tamara get in touch with Adriana?

1. Англиски (Прв странски јазик) - Општо образование

Прашање

Something very strange happened to Tamara. She never knew she had a twin sister until she started university!

Tamara was born in Mexico. Her parents could not look after her so she went to live with a family in Manhattan, USA.

When Tamara was twenty years old, she started university in Long Island. She enjoyed her university life. But one day she was walking home from class, and a student smiled at her. "Hello Adriana!" said the student. "I'm not Adriana," said Tamara.

This happened to Tamara again and again. People Tamara didn't know kept calling her Adriana. It was very strange. One day, when a woman called her Adriana, Tamara asked "Why do you keep calling me Adriana?"

The woman replied, "You look like my friend Adriana. You have the same face and the same hair. Is Adriana your sister?" Tamara said that she did not have a sister called Adriana. But she was interested in this girl Adriana. Finally she asked someone for Adriana's email address.

When Tamara wrote to Adriana, she found out that they both had the same birthday, they looked the same and both of them were from Mexico. When Tamara went to live with the family in Manhattan, Adriana moved to Long Island to live with a family there. It had to be true! Adriana and Tamara were twin sisters!

What did Tamara have the same as Adriana?

1. Англиски (Прв странски јазик) - Општо образование

Прашање

Something very strange happened to Tamara. She never knew she had a twin sister until she started university!

Tamara was born in Mexico. Her parents could not look after her so she went to live with a family in Manhattan, USA.

When Tamara was twenty years old, she started university in Long Island. She enjoyed her university life. But one day she was walking home from class, and a student smiled at her. "Hello Adriana!" said the student. "I'm not Adriana," said Tamara.

This happened to Tamara again and again. People Tamara didn't know kept calling her Adriana. It was very strange. One day, when a woman called her Adriana, Tamara asked "Why do you keep calling me Adriana?"

The woman replied, "You look like my friend Adriana. You have the same face and the same hair. Is Adriana your sister?" Tamara said that she did not have a sister called Adriana. But she was interested in this girl Adriana. Finally she asked someone for Adriana's email address.

When Tamara wrote to Adriana, she found out that they both had the same birthday, they looked the same and both of them were from Mexico. When Tamara went to live with the family in Manhattan, Adriana moved to Long Island to live with a family there. It had to be true! Adriana and Tamara were twin sisters!

Where did Adriana live?

1. Англиски (Прв странски јазик) - Општо образование

Прашање

Something very strange happened to Tamara. She never knew she had a twin sister until she started university!

Tamara was born in Mexico. Her parents could not look after her so she went to live with a family in Manhattan, USA.

When Tamara was twenty years old, she started university in Long Island. She enjoyed her university life. But one day she was walking home from class, and a student smiled at her. "Hello Adriana!" said the student. "I'm not Adriana," said Tamara.

This happened to Tamara again and again. People Tamara didn't know kept calling her Adriana. It was very strange. One day, when a woman called her Adriana, Tamara asked "Why do you keep calling me Adriana?"

The woman replied, "You look like my friend Adriana. You have the same face and the same hair. Is Adriana your sister?" Tamara said that she did not have a sister called Adriana. But she was interested in this girl Adriana. Finally she asked someone for Adriana's email address.

When Tamara wrote to Adriana, she found out that they both had the same birthday, they looked the same and both of them were from Mexico. When Tamara went to live with the family in Manhattan, Adriana moved to Long Island to live with a family there. It had to be true! Adriana and Tamara were twin sisters!

What is this text about?

1. Англиски (Прв странски јазик) - Општо образование

Прашање

Something very strange happened to Tamara. She never knew she had a twin sister until she started university!

Tamara was born in Mexico. Her parents could not look after her so she went to live with a family in Manhattan, USA.

When Tamara was twenty years old, she started university in Long Island. She enjoyed her university life. But one day she was walking home from class, and a student smiled at her. "Hello Adriana!" said the student. "I'm not Adriana," said Tamara.

This happened to Tamara again and again. People Tamara didn't know kept calling her Adriana. It was very strange. One day, when a woman called her Adriana, Tamara asked "Why do you keep calling me Adriana?"

The woman replied, "You look like my friend Adriana. You have the same face and the same hair. Is Adriana your sister?" Tamara said that she did not have a sister called Adriana. But she was interested in this girl Adriana. Finally she asked someone for Adriana's email address.

When Tamara wrote to Adriana, she found out that they both had the same birthday, they looked the same and both of them were from Mexico. When Tamara went to live with the family in Manhattan, Adriana moved to Long Island to live with a family there. It had to be true! Adriana and Tamara were twin sisters!

Why did Adriana move to Long Island?

1. Англиски (Прв странски јазик) - Општо образование

Прашање

A day in the life of Paula Radcliffe - Marathon Runner 8.30am Sometimes, my daughter Isla wakes me and my husband, Gary, up, or, more often, we wake her up. After I get up, I always check my pulse. It's usually 38-40 beats per minute. If it is too high, I rest for the day. It's so important to listen to my body. I have a drink and a snack while giving Isla her breakfast.

9.30am We take Isla to nursery and then I start my training. I run, and Gary rides his bike next to me and gives me drinks. Four times a week, I have a cold bath or go for a swim in a lake after training.

12.30pm I pick up Isla from nursery and we go home and I eat a big lunch of cereal and fruit. Then I have rice and salmon, or toast and peanut butter. I try to eat as soon as possible after training. After lunch, I play with my daughter.

What is this text about?

1. Англиски (Прв странски јазик) - Општо образование

Прашање

A day in the life of Paula Radcliffe - Marathon Runner 8.30am Sometimes, my daughter Isla wakes me and my husband, Gary, up, or, more often, we wake her up. After I get up, I always check my pulse. It's usually 38-40 beats per minute. If it is too high, I rest for the day. It's so important to listen to my body. I have a drink and a snack while giving Isla her breakfast.

9.30am We take Isla to nursery and then I start my training. I run, and Gary rides his bike next to me and gives me drinks. Four times a week, I have a cold bath or go for a swim in a lake after training.

12.30pm I pick up Isla from nursery and we go home and I eat a big lunch of cereal and fruit. Then I have rice and salmon, or toast and peanut butter. I try to eat as soon as possible after training. After lunch, I play with my daughter.

What time does Paula Radcliffe wake up?

A day in the life of Paula Radcliffe - Marathon Runner 8.30am Sometimes, my daughter Isla wakes me and my husband, Gary, up, or, more often, we wake her up. After I get up, I always check my pulse. It's usually 38-40 beats per minute. If it is too high, I rest for the day. It's so important to listen to my body. I have a drink and a snack while giving Isla her breakfast.

9.30am We take Isla to nursery and then I start my training. I run, and Gary rides his bike next to me and gives me drinks. Four times a week, I have a cold bath or go for a swim in a lake after training.

12.30pm I pick up Isla from nursery and we go home and I eat a big lunch of cereal and fruit. Then I have rice and salmon, or toast and peanut butter. I try to eat as soon as possible after training. After lunch, I play with my daughter.

What does Paula do after she gets up?

1. Англиски (Прв странски јазик) - Општо образование

Прашање

A day in the life of Paula Radcliffe - Marathon Runner 8.30am Sometimes, my daughter Isla wakes me and my husband, Gary, up, or, more often, we wake her up. After I get up, I always check my pulse. It's usually 38-40 beats per minute. If it is too high, I rest for the day. It's so important to listen to my body. I have a drink and a snack while giving Isla her breakfast.

9.30am We take Isla to nursery and then I start my training. I run, and Gary rides his bike next to me and gives me drinks. Four times a week, I have a cold bath or go for a swim in a lake after training.

12.30pm I pick up Isla from nursery and we go home and I eat a big lunch of cereal and fruit. Then I have rice and salmon, or toast and peanut butter. I try to eat as soon as possible after training. After lunch, I play with my daughter.

What is important for Paula?

1. Англиски (Прв странски јазик) - Општо образование

Прашање

A day in the life of Paula Radcliffe - Marathon Runner 8.30am Sometimes, my daughter Isla wakes me and my husband, Gary, up, or, more often, we wake her up. After I get up, I always check my pulse. It's usually 38-40 beats per minute. If it is too high, I rest for the day. It's so important to listen to my body. I have a drink and a snack while giving Isla her breakfast.

9.30am We take Isla to nursery and then I start my training. I run, and Gary rides his bike next to me and gives me drinks. Four times a week, I have a cold bath or go for a swim in a lake after training.

12.30pm I pick up Isla from nursery and we go home and I eat a big lunch of cereal and fruit. Then I have rice and salmon, or toast and peanut butter. I try to eat as soon as possible after training. After lunch, I play with my daughter.

What is Paula's pulse usually?

1. Англиски (Прв странски јазик) - Општо образование

Прашање

A day in the life of Paula Radcliffe - Marathon Runner 8.30am Sometimes, my daughter Isla wakes me and my husband, Gary, up, or, more often, we wake her up. After I get up, I always check my pulse. It's usually 38-40 beats per minute. If it is too high, I rest for the day. It's so important to listen to my body. I have a drink and a snack while giving Isla her breakfast.

9.30am We take Isla to nursery and then I start my training. I run, and Gary rides his bike next to me and gives me drinks. Four times a week, I have a cold bath or go for a swim in a lake after training.

12.30pm I pick up Isla from nursery and we go home and I eat a big lunch of cereal and fruit. Then I have rice and salmon, or toast and peanut butter. I try to eat as soon as possible after training. After lunch, I play with my daughter.

When does Paula rest for the day?

1. Англиски (Прв странски јазик) - Општо образование

Прашање

A day in the life of Paula Radcliffe - Marathon Runner 8.30am Sometimes, my daughter Isla wakes me and my husband, Gary, up, or, more often, we wake her up. After I get up, I always check my pulse. It's usually 38-40 beats per minute. If it is too high, I rest for the day. It's so important to listen to my body. I have a drink and a snack while giving Isla her breakfast.

9.30am We take Isla to nursery and then I start my training. I run, and Gary rides his bike next to me and gives me drinks. Four times a week, I have a cold bath or go for a swim in a lake after training.

12.30pm I pick up Isla from nursery and we go home and I eat a big lunch of cereal and fruit. Then I have rice and salmon, or toast and peanut butter. I try to eat as soon as possible after training. After lunch, I play with my daughter.

Who gives Paula drinks when she runs?

1. Англиски (Прв странски јазик) - Општо образование

Прашање

A day in the life of Paula Radcliffe - Marathon Runner 8.30am Sometimes, my daughter Isla wakes me and my husband, Gary, up, or, more often, we wake her up. After I get up, I always check my pulse. It's usually 38-40 beats per minute. If it is too high, I rest for the day. It's so important to listen to my body. I have a drink and a snack while giving Isla her breakfast.

9.30am We take Isla to nursery and then I start my training. I run, and Gary rides his bike next to me and gives me drinks. Four times a week, I have a cold bath or go for a swim in a lake after training.

12.30pm I pick up Isla from nursery and we go home and I eat a big lunch of cereal and fruit. Then I have rice and salmon, or toast and peanut butter. I try to eat as soon as possible after training. After lunch, I play with my daughter.

How does Gary follow Paula?

1. Англиски (Прв странски јазик) - Општо образование

Прашање

A day in the life of Paula Radcliffe - Marathon Runner 8.30am Sometimes, my daughter Isla wakes me and my husband, Gary, up, or, more often, we wake her up. After I get up, I always check my pulse. It's usually 38-40 beats per minute. If it is too high, I rest for the day. It's so important to listen to my body. I have a drink and a snack while giving Isla her breakfast.

9.30am We take Isla to nursery and then I start my training. I run, and Gary rides his bike next to me and gives me drinks. Four times a week, I have a cold bath or go for a swim in a lake after training.

12.30pm I pick up Isla from nursery and we go home and I eat a big lunch of cereal and fruit. Then I have rice and salmon, or toast and peanut butter. I try to eat as soon as possible after training. After lunch, I play with my daughter.

Which word is a synonym with the word "nursery" from the text?

Some people think that flowers and chocolates seem a little ordinary and so they look for a more unusual gift. For romantic people with plenty of cash these gifts could include: a helicopter flight, a balloon ride, the chance to test-drive a Ferrari, an all-day session at a health club. Others, however, complain that Valentine's Day is yet another opportunity for ever-increasing commercialism. For true romantics the gift of love is enough. Valentine's Day is a popular day to either propose or get married - you'd never forget your wedding anniversary!

According to the text, a "balloon ride" is for:

1. Англиски (Прв странски јазик) - Општо образование

Прашање

Football is played with:

A desert is:

Finish the sentence: " _____ is an evening meal."

Complete the sentence: "At the check-in desk, they weigh your _____."

Complete the sentence: "Don't touch that dog. He is very _____."

Complete the sentence. "It is _____ in here. I'll put on my sweater."

The word "astonishing" means:

1. Англиски (Прв странски јазик) - Општо образование

Прашање

Complete the sentence! "We have lots of picnics _____ the summer."

Finish the question: "I'll visit my grandparents _____ July."

The word "delete" means the same as:

Finish the sentence with the correct word: "They went _____ when they were on holiday."

Complete the sentence: "My friend _____ the bus at 7.00 o'clock.."

1. Англиски (Прв странски јазик) - Општо образование

Прашање

A day in the life of Paula Radcliffe - Marathon Runner 8.30am Sometimes, my daughter Isla wakes me and my husband, Gary, up, or, more often, we wake her up. After I get up, I always check my pulse. It's usually 38-40 beats per minute. If it is too high, I rest for the day. It's so important to listen to my body. I have a drink and a snack while giving Isla her breakfast.

9.30am We take Isla to nursery and then I start my training. I run, and Gary rides his bike next to me and gives me drinks. Four times a week, I have a cold bath or go for a swim in a lake after training.

12.30pm I pick up Isla from nursery and we go home and I eat a big lunch of cereal and fruit. Then I have rice and salmon, or toast and peanut butter. I try to eat as soon as possible after training. After lunch, I play with my daughter.

What does Paula eat for lunch?

Finish the sentence. "He decided _____ the flight to Chicago."

Complete the sentence: "An airport is a place where _____."

The sign "Bed and breakfast" means:

1. Англиски (Прв странски јазик) - Општо образование

Прашање

Complete the sentence: 'Volleyball is a _____.'

Finish the sentence: "It's a long _____ from here to China."

Complete the sentence: 'What did Marie Currie _____?'

Complete the sentence: "I'd like _____ Toronto one day."

Complete the sentence: "He _____ a new business."

Complete the sentence: "He was driving so fast he _____ into a tree."

Complete the sentence: "Pollution is a _____ problem."

1. Англиски (Прв странски јазик) - Општо образование

Прашање

Complete the sentence: "He was speaking to me in a very loud voice. Actually, he was _____."

Finish the sentence: "She was _____ woman on the Moon."

Complete the sentence: "Some people spend most of their free time _____."

Finish the sentence: "You must _____ the potatoes first."

Finish the sentence: "In spring snow _____."

What will be the question for the following sentence? "She will dance with him."

Finish the question: "How was the _____ to Rome?"

1. Англиски (Прв странски јазик) - Општо образование

Прашање

Complete the sentence: "She's never been _____ Italy."

Finish the sentence! "There isn't _____ at the door."

Complete the sentence! "I've cut _____."

The underlined word in the sentence: "She went to the party by herself.",
is a _____.

Complete the sentence: "She went to _____ National Gallery."

In the sentence: "I have less time than she does.", the
underlined word is:

Fill the gap: "John is really _____ in music."

1. Англиски (Прв странски јазик) - Општо образование

Прашање

Complete the sentence: "He is a good _____ of mine."

Finish the sentence: "The room was so _____. We could not hear anything."

The sentence: "She has lived here all her life." is in the _____ Tense.

Finish the sentence: "_____ chocolate did you eat?"

The sentence: "If the weather is good I'll play football." is a _____ sentence.

Complete the sentence: "How long _____ in Trieste?"

Complete the sentence: "A computer is _____ thing which was ever designed."

1. Англиски (Прв странски јазик) - Општо образование

Прашање

Complete the sentence: "The dolphins are _____ than the chimpanzees."

Complete the sentence: "We are a large family. Our 50 m2 apartment is _____ for us."

Complete the sentence: "I _____ basketball after school today."

Complete the sentence: "I don't like this pizza. It's _____ pizza I've ever tried."

What would be the correct answer to the question: "Is Mary coming to Ohrid this summer?"

What would be the correct answer to the question: "Did you finish your lunch?"

1. Англиски (Прв странски јазик) - Општо образование

Прашање

What would be the correct question to the answer: "She taught me last year."

Complete the sentence: "The first man _____ on the Moon in 1969."

Complete the sentence: "If I had had more time, I _____ you."

Complete the sentence: "My dog is very friendly. I think he is _____ dog I've ever known."

Complete the sentence: "The computer I am using isn't _____."

Complete the sentence: "Did you _____ smoke a lot?"

1. Англиски (Прв странски јазик) - Општо образование

Прашање

Complete the sentence: "When I _____ home I'll call you."

Complete the sentence: "She took _____ rest."

Complete the sentence: "I've got _____ money at all."

Complete the sentence: "The project _____ last Tuesday."

Complete the sentence: "You like my new phone, _____?"

Complete the sentence: "His team _____ the match."

Complete the sentence: "This is the place _____ we first met."

1. Англиски (Прв странски јазик) - Општо образование

Прашање

Complete the sentence: "Can you _____ the computer please?"

Complete the sentence: "Don't forget _____ the windows please."

Complete the sentence: "I _____ to Italy before."

Complete the sentence: "John enjoys _____ to music."

"Let's dance!" This means that somebody:

"The weather tomorrow will be sunny and warm." This sentence is giving:

The sentence: "The bus leaves at 10.00 o'clock.", expresses:

The sentence: "You shouldn't sit in that chair.", expresses:

1. Англиски (Прв странски јазик) - Општо образование

Прашање

Which sentence describes something?

When you ask for a room in a hotel, you say:

When people say: "I took my dog for a walk", they:

When you are able to ride a bicycle, you say:

Complete the sentence: "My parents _____ me stay out late."

When somebody says: "Let me do it.", they are asking for:

When you hear "Would it be all right?", this person is asking for a:

1. Англиски (Прв странски јазик) - Општо образование

Прашање

The sentence: "I can speak English well.", expresses:

Complete the sentence: "I couldn't sleep because I _____ about this test."

When people say: "See you tomorrow.", that means they:

Which sentence expresses opinion?

People say: "I was wondering if...", when they:

Complete the sentence : "_____ car is new."

What is the question to: "It's twenty past three."

1. Англиски (Прв странски јазик) - Општо образование

Прашање

Complete the sentence: "John says _____ a new dog."

"My friend said he _____ to going abroad."

The sign "House _____ to let" means: the house is for:

When you make a suggestion, you say:

You say: "Oh, _____ that would be great.", when you:

"Why don't we _____ have a party?," is a:

When you wish someone all the best, you say:

What is the _____ positive answer to the question: "Can you help me?"

1. Англиски (Прв странски јазик) - Општо образование

Прашање

What is the answer to the question: "Are you seeing a doctor?"

What does the question : "What's up?" mean?

When you apologize, you say:

When you disagree with something, you say:

Complete the sentence: "This guitar is _____ in China."

Which word order is correct?

Complete the _____ sentence:: "You have enough money, _____?"

1. Англиски (Прв странски јазик) - Општо образование

Прашање

Which phrase used in letters is correct?

Complete the sentence: "I _____ chocolate ice-cream to vanilla ice-cream."

What is the right response to: "What is London like?"

When you are sure of something, you say:

When you cannot come on time, you say:

What is the right response to the question: "How's your new babysitter?"

1. Англиски (Прв странски јазик) - Општо образование

Прашање

You express surprise by saying:

When your friend is upset, you say:

When you ask politely, you say:

When you ask about somebody's opinion, you say:

The sentence: "Dogs are not allowed inside", means that:

When you are not obliged to wear a uniform, you say:

Which of the following sentences expresses an intention?

1. Англиски (Прв странски јазик) - Општо образование

Прашање

Which of the following sentences expresses a condition?

Which of the following sentences expresses certainty?

Which of the following sentences expresses habit in the past?

How would you retell the question: "Where is Jim going?" He asked_____.

1. Англиски (Прв странски јазик) - Општо образование

Прашање

**Complete the sentence: "If I had enough money,
_____."**

Fill the gap: "I've lost my phone. Can you help me _____ it?"

Complete the sentence: "John is very good _____ playing the guitar."

What is the short answer to the question: "Can you help me with my homework?"

Somebody says: "The new school is really nice." You disagree and say:

What is short answer to the question: "Did the girl sing very well?"

1. Англиски (Прв странски јазик) - Општо образование

Прашање

If you want to know where the stadium is. you ask:

If somebody offers you breakfast, you refuse by saying:

Complete the sentence: "If she knew the answer, she _____."

Complete the sentence: "If I were you, _____."

Complete the sentence: "I _____ to go to school on Sunday."

1. Англиски (Прв странски јазик) - Општо образование

Прашање

Some people think that flowers and chocolates seem a little ordinary and so they look for a more unusual gift. For romantic people with plenty of cash these gifts could include: a helicopter flight, a balloon ride, the chance to test-drive a Ferrari, an all-day session at a health club. Others, however, complain that Valentine's Day is yet another opportunity for ever-increasing commercialism. For true romantics the gift of love is enough. Valentine's Day is a popular day to either propose or get married - you'd never forget your wedding anniversary!

The word "ordinary" in the text means:

Some people think that flowers and chocolates seem a little ordinary and so they look for a more unusual gift. For romantic people with plenty of cash these gifts could include: a helicopter flight, a balloon ride, the chance to test-drive a Ferrari, an all-day session at a health club. Others, however, complain that Valentine's Day is yet another opportunity for ever-increasing commercialism. For true romantics the gift of love is enough. Valentine's Day is a popular day to either propose or get married - you'd never forget your wedding anniversary!

What does "people with plenty of cash" mean?

1. Англиски (Прв странски јазик) - Општо образование

Прашање

Some people think that flowers and chocolates seem a little ordinary and so they look for a more unusual gift. For romantic people with plenty of cash these gifts could include: a helicopter flight, a balloon ride, the chance to test-drive a Ferrari, an all-day session at a health club. Others, however, complain that Valentine's Day is yet another opportunity for ever-increasing commercialism. For true romantics the gift of love is enough. Valentine's Day is a popular day to either propose or get married - you'd never forget your wedding anniversary!

Why do people complain about Valentine's Day?

Some people think that flowers and chocolates seem a little ordinary and so they look for a more unusual gift. For romantic people with plenty of cash these gifts could include: a helicopter flight, a balloon ride, the chance to test-drive a Ferrari, an all-day session at a health club. Others, however, complain that Valentine's Day is yet another opportunity for ever-increasing commercialism. For true romantics the gift of love is enough. Valentine's Day is a popular day to either propose or get married - you'd never forget your wedding anniversary!

What other things can people do on Valentine's Day?

Some people think that flowers and chocolates seem a little ordinary and so they look for a more unusual gift. For romantic people with plenty of cash these gifts could include: a helicopter flight, a balloon ride, the chance to test-drive a Ferrari, an all-day session at a health club. Others, however, complain that Valentine's Day is yet another opportunity for ever-increasing commercialism. For true romantics the gift of love is enough. Valentine's Day is a popular day to either propose or get married - you'd never forget your wedding anniversary!

According to the text, what is enough for true romantics?

1. Англиски (Прв странски јазик) - Општо образование

Прашање

Some people think that flowers and chocolates seem a little ordinary and so they look for a more unusual gift. For romantic people with plenty of cash these gifts could include: a helicopter flight, a balloon ride, the chance to test-drive a Ferrari, an all-day session at a health club. Others, however, complain that Valentine's Day is yet another opportunity for ever-increasing commercialism. For true romantics the gift of love is enough. Valentine's Day is a popular day to either propose or get married - you'd never forget your wedding anniversary!

According to the text, who can never forget their wedding anniversary?

Which sentence gives a description of a place?

Which is the correct comparison of equality?

2. Германски (Втор странски јазик) - Општо образование

Прашање

Wenn ich kein Bargeld habe, bezahle ich mit der _____

Um fernzusehen, brauche ich.....

Meine Katze ist krank. Ich muss sie zum _____ bringen.

Wann hast du dir _____ gewaschen?

Was _____ du heute Abend für die Party an?

Schokoriegel, Bonbons und Gummibärchen sind _____ .

2. Германски (Втор странски јазик) - Општо образование

Прашање

Er ist zu dick. Er sollte 10 kg _____ .

Ich esse gern Erdbeeren. Sie sind eine _____ .

Der Salat ist eine _____ .

Die Wurst gehört zu den _____ .

Die Rose ist _____ Blume.

Die Donau ist _____ in Deutschland.

Mein Hund und meine Katze sind meine _____ .

Jeden Tag esse ich Gurken, Tomaten und Paprika. Ich esse viel _____ .

2. Германски (Втор странски јазик) - Општо образование

Прашање

Der Rhein ist _____ in Deutschland.

Ich mag die Tiere, deshalb halte ich viele _____.

Die Tanne ist _____.

Jeden Morgen esse ich Äpfel, Orangen oder Birnen. Ich esse viel _____.

Ich bin in der Metzgerei. Ich kaufe _____.

Ich habe gestern sehr laut Musik gehört. Heute tun mir die _____ weh.

2. Германски (Втор странски јазик) - Општо образование

Прашање

Welche Sportart spielt man mit einem Ball und mit Schlägern? - _____ .

Im Gebirge kann man schöne und lange Spaziergänge machen. Das heißt, man kann dort _____.

Markus kauft ein Flugticket. _____

Was baute die DDR-Regierung zwischen West-Berlin und Ost-Berlin? - _____ .

Mein Freund ist immer unterwegs. Das heißt, er ist immer _____

Wie schmeckt dir das _____?

2. Германски (Втор странски јазик) - Општо образование

Прашање

Jan hat sich tätowieren lassen, das ist _____.

Anke hat sich die Haare schneiden lassen. Sie hatte bisher immer lange Haare. Jetzt hat sie _____ Haar.

Messer, Gabel und Löffel gehören _____.

Mir ist kalt, ich ziehe mich _____ an.

Was passt nicht zu den Schulsachen: Teller, Heft, Buch, Taschenrechner?

Der Löwe ist _____.

Die Zeit vom 1. Januar bis 31. Dezember hat vier _____ .

Der Mensch hat zwei _____ .

2. Германски (Втор странски јазик) - Општо образование

Прашање

Wenn ich krank bin, gehe ich zum _____.

Im Wald kann man schöne und lange Spaziergänge machen. Das heißt, man kann dort _____.

Wo kann man Äpfel und Birnen kaufen? - _____.

Die Schüler bekommen am Ende jedes Schuljahres _____.

Kinder unter sechs Jahren gehen nicht in die Schule, sondern in den _____.

Deutsch ist für die makedonischen Schüler eine _____.

Sport und Geschichte sind _____.

2. Германски (Втор странски јазик) - Општо образование

Прашање

Die Augen tun mir weh, ich kann nicht _____ .

Der Mensch hat zehn _____ und zehn _____.

Im Juli und im August macht man _____.

Ein Pferd kann man _____.

Uwe kauft eine Fahrkarte. Er möchte _____.

Wo befindet sich das Deutsche Museum? - _____

2. Германски (Втор странски јазик) - Општо образование

Прашање

Mein Freund reist gern. Das heißt, er ist _____ .

Wie schmeckt dir die kalte Cola? - Sie schmeckt gut, aber Cola ist _____.

Andrea hat sich die Haare färben lassen. Sie war beim _____.

Das Klimawechsel kommt meistens von den _____

Mein Opa und meine Oma sind meine _____.

Wo kann man Fisch kaufen? - _____

2. Германски (Втор странски јазик) - Општо образование

Прашање

Wo ist denn meine Schultasche? - Sie liegt _____ Schrank.

Komm, ich mache ein Foto. _____ dich neben Onkel Alfons.

Oh nein, jetzt bin ich in den falschen Bus _____ .

_____ ich Taschengeld bekomme, kaufe ich mir eine neue CD.

Warum warst du gestern nicht auf der Party?

Monika möchte Tierärztin werden, weil _____

Er hat Angst vor dem Fliegen. Wie _____ es mit einer Schiffsreise?

Ich bekomme oft schlechte Noten. Was soll ich tun?

2. Германски (Втор странски јазик) - Општо образование

Прашање

_____ wohnt Michaela? - In der Herzogstraße.

In Berlin _____ einen großen Zoo.

_____ gab es starken Wind? - Am Montag.

Der Keller ist der _____ Teil des Hauses.

_____ wohnt Martina? - In der Schumannstraße.

_____ gab es Schnee? - Am Dienstag.

2. Германски (Втор странски јазик) - Општо образование

Прашање

Das Dach ist der _____ Teil des Hauses.

Ich interessiere mich _____ den Film.

Anna _____ oft über die Schule.

Jeans _____ in Mode.

Die Mädchen _____ lange Ohrringe.

Kennst du Maria? - Ja, und ich finde _____ sehr sympathisch.

Mein Hund ist krank. Ich bringe ihn _____ Tierarzt.

2. Германски (Втор странски јазик) - Општо образование

Прашање

Meine Oma _____ sich gern an ihre Jugend.

Peter ist mein Traumjunge. Ich liebe _____ .

Ich freue _____ über das Geschenk. Vielen Dank.

Meine Mutter trägt gern _____ Rock.

_____ ziehst du lieber an, Hosen oder Röcke?

Das Buch liegt auf _____ Tisch.

Ich stelle die Flasche in _____ Kühlschrank.

_____ steht der Mann? - Er steht vor der Tür.

2. Германски (Втор странски јазик) - Општо образование

Прашање

Das Bild hängt an _____ Wand.

Matthias möchte frisches Brot essen. Er geht _____ Bäcker.

Wohin fährst du? - _____ Wien.

Im letzten Sommer _____ ich mit meinen Eltern in Urlaub.

In den Winterferien fahre ich in die Schweiz _____ Schifahren.

Mein Hund ist verletzt. Ich bringe ihn _____ Arzt.

Diesen Sommer fährt Andreas _____ Chiemsee.

Morgen fahren wir _____ München.

Der Film beginnt in 10 Minuten. Wir müssen _____ beeilen.

2. Германски (Втор странски јазик) - Општо образование

Прашање

Was hast du dir gestern gekauft? - _____ Jacke.

Er geht jeden Morgen arbeiten. Er ist Lehrer _____ Beruf.

Wo ist denn mein Fahrrad? - Es steht neben _____ Tür.

Luftverschmutzung _____ durch Smog.

Was hast du heute Morgen gemacht? - Ich _____ in die Stadt.

_____ Goldfisch ist zwei Monate alt.

Markus kauft eine Eintrittskarte. Er _____ ins Konzert gehen.

2. Германски (Втор странски јазик) - Општо образование

Прашање

Das Zimmer _____ aufgeräumt.

Wohin gehst du? - _____

Letzten Sommer _____ ich mit meinen Freunden in Urlaub.

In den Winterferien fahre ich in die Schweiz _____ Schilaufen.

Mein Meerschweinchen war krank. Es musste mit ihm zwei Stunden _____ Tierarzt bleiben.

Diesen Sommer fährt Fabian _____ Bodensee.

Die Stunde beginnt in fünf Minuten. Du musst _____ beeilen.

2. Германски (Втор странски јазик) - Општо образование

Прашање

Was für Jeans hast du dir gekauft? - _____

Ich habe einen Hund und ich muss ihn jeden Tag _____.

Komm, wir essen jetzt. Setzt dich auf _____ Stuhl.

Oh nein, jetzt bin ich in den falschen Zug _____ .

_____ ich mehr Geld habe, kaufe ich mir ein neues T-Shirt.

Warum warst du gestern nicht auf der Geburtstagparty? - Weil
_____ .

2. Германски (Втор странски јазик) - Општо образование

Прашање

Monika möchte Lehrerin werden, weil _____

Wie können nicht mit dem Schiff fahren. Er hat Angst vor Wasser. Wie _____ es mit einer Busreise?

Ich habe eine schlechte Note in Mathe. Was soll ich tun?

Wie spät ist es? (8.30 Uhr)

Am Wochenende gehen wir schwimmen. Kommst du mit?

Mami, wie ist das Wetter heute?

2. Германски (Втор странски јазик) - Општо образование

Прашање

Hier ist das Rauchen verboten. **Wie kann man es anders sagen?**

Die Fleischsuppe schmeckt ganz gut. **Wie kann man es anders sagen?**

Um wie viel Uhr fährt der Zug nach Berlin ab?

Peter möchte in einem Hotel übernachten. Was sagt er an der Rezeption?

"Mein Handy ist teuer". **Wie kann man es anders sagen?**

Am Sonntag gehen wir spazieren. Kommst du mit?

2. Германски (Втор странски јазик) - Општо образование

Прашање

Mami, regnet es draußen?

"Hier ist das Handy verboten."**Wie kann man es anders sagen?**

Die Torte schmeckt ganz gut.

Auf einem Schild im Zug steht: _____

"Martin, singst du mit Vergnügen?"**Wie kann man es anders sagen?**

Auf einem Schild im Museum steht:

Was ist dein Lieblingsessen?

2. Германски (Втор странски јазик) - Општо образование

Прашање

Rufst du Anne an? .

Wanderurlaub ist lustig. **Was sagst du dazu?**

Ich habe großen Hunger.

Dein Bruder hat Geburtstag. Du sagst ihm: "_____ zum Geburtstag!"

Ich möchte Anna zur Party einladen. Ich schicke ihr _____

2. Германски (Втор странски јазик) - Општо образование

Прашање

"So eine Dummheit!" **Wie kann man es anders sagen?**

Was sagt man einem Freund, der hereinkommt?

Ein Fremder sagt: "Entschuldigung. Ich möchte zur Schillerstraße. Wie komme ich dorthin?" **Der Fremde fragt nach _____ .**

Mario ist um 8 Uhr morgens in die Schule gekommen. An der Tür stand die Lehrerin. Mario sagte zu ihr: _____ .

2. Германски (Втор странски јазик) - Општо образование

Прашање

Auf einem Schild im Zug steht: _____

Wie fragt man nach der Uhrzeit?

Biljana ist in einer Metzgerei. Sie möchte Mittagessen kochen. Was sagt sie der Verkäuferin: „_____“

Claudia ist im Theater. Sie geht zum Schalter und fragt die Verkäuferin: "Haben Sie _____?"

Am 25. und am 26. Dezember sagt die Familie Müller: "_____"

2. Германски (Втор странски јазик) - Општо образование

Прашање

Wie spät ist es? (8.15 Uhr)

Wie spät ist es? (6.30 Uhr)

München ist eine Reise wert. – Ja, _____

Biljana ist in einer Bäckerei. Was sagt sie?

Heute ist das Wetter sehr schlecht, _____

Wir gehen schwimmen. Kommst du mit? - _____

2. Германски (Втор странски јазик) - Општо образование

Прашање

Meine Freundin ist zu dick. Was macht sie falsch?

Du brauchst Briefpapier, aber du findest die Post nicht. Wie fragst du?

Was würdest du machen, wenn du Millionär wärest?

Was braucht man für einen Campingurlaub?

Uwe _____ gern Orangensaft.

Am 25. und am 26. Dezember feiert man in Deutschland _____.

Ein Tiergarten ist _____ .

Katja ist in einer Boutique. Was sagt sie?

2. Германски (Втор странски јазик) - Општо образование

Прашање

Wenn es neblig ist, _____ .

Wir gehen in den Park! Kommst du mit?

Meine Freundin hat oft Kopfschmerzen. Was macht sie falsch?

Du brauchst eine Ansichtskarte, aber du findest den Kiosk nicht. Was sagst du?

Was würdest du machen, wenn du im Lotto gewinnen würdest?

Petra macht einen Fitnessurlaub. Sie will _____

2. Германски (Втор странски јазик) - Општо образование

Прашање

München, den 20. April, 2013

Hallo, Jessica,

wie geht es dir? Mir geht es gut. Ich gehe in die Schule, ich lerne und am Wochenende gehe ich ins Café. Meinem Bruder Jan geht es auch gut. Was machst du? Wie ist es bei dir?

Schreib bald

Deine Maria

Was ist das?

München, den 20. April, 2013Hallo, Jessica, wie geht es dir? Mir geht es gut. Ich gehe in die Schule, ich lerne und am Wochenende gehe ich ins Café. Meinem Bruder Jan geht es auch gut. Was machst du? Wie ist es bei dir? Schreib bald Deine Maria**Bei Maria und Jan _____ .**

2. Германски (Втор странски јазик) - Општо образование

Прашање

Irena sagt: "Meine Eltern und ich waren oft in Italien und Griechenland. Fast jeden Sommer. Wie langweilig. Jetzt möchte ich mal was anderes machen und mit meinen Mitschülern Urlaub machen".

Mit wem möchte Irena Urlaub machen?

Ana hat einen Jungen kennengelernt und sie treffen sich heute Abend. Er ist sehr süß. Ana hat Panik vor dem ersten Date. Sie ist total nervös.

Wie fühlt sich Ana?

2. Германски (Втор странски јазик) - Општо образование

Прашање

Martin hat eine neue Freundin. Er hat sich in sie verliebt. Sie sind seit zwei Wochen jeden Tag zusammen. Deshalb sind seine Schulnoten in letzter Zeit schlecht.

Wie oft sehen sie sich?

2. Германски (Втор странски јазик) - Општо образование

Прашање

Zürich, den 20. April, 2013

Hallo Steffi,

ich bin gestern in Zürich angekommen. Die Bahnfahrt war lang und anstrengend.
Ich musste schon vor einigen Wochen einen Platz reservieren.

Schreib bald

Deine Johanna

Was ist das?

2. Германски (Втор странски јазик) - Општо образование

Прашање

Zürich, den 20. April, 2013

Hallo Steffi,

ich bin gestern in Zürich angekommen. Die Bahnfahrt war lang und anstrengend. Ich musste schon vor einigen Wochen einen Platz reservieren.

Schreib bald Deine Johanna **Worüber schreibt Johanna?**

Martina sagt: "Meine Freundinnen und ich waren oft in der Türkei und in Griechenland. Fast jeden Sommer. Wie langweilig. Jetzt möchte ich mal was anderes machen und mit meiner Schwester und meinem Bruder Urlaub machen".

Mit wem möchte Martina Urlaub machen?

2. Германски (Втор странски јазик) - Општо образование

Прашање

Ich bin gestern mit der Straßenbahn in die Schule gefahren. Die Straßenbahn hatte 10 Minuten Verspätung. Ana hatte Angst, sich in der Schule zu verspäten.

Wovor hatte Ana Angst? - Sie hatte Angst, dass sie _____ in der Schule ankommt.

Es klingelt. Die Stunde beginnt. Der Chemielehrer kommt. Ana hat Angst. Sie hat die letzte Lektion nicht gelesen. Gestern Abend war sie bei ihrer Freundin Maja.

Warum hat Ana Angst?

Liebe Hanna, ich schreibe dir jetzt, weil ich nämlich einen tollen Typ kennen gelernt habe. Er heißt Harry und ist fünf Jahre älter als ich. Vor zwei Tagen habe ich ihn zum ersten Mal in der Disco gesehen. Deine Tanja

Tanja?

2. Германски (Втор странски јазик) - Општо образование

Прашање

Emma hat einen Zettel für Fabian geschrieben: "Nicht vergessen, die Schianzüge, die Schischuhe mitzunehmen, Fahrkarten zu besorgen, ein Ferienhaus zu buchen!"

Wohin fahren Emma und Fabian?

Emma hat zehn Kilo zugenommen. Sie isst zu viele Süßigkeiten und sitzt den ganzen Tag am Computer. Sie macht keinen Sport.

Was sollte sie jetzt machen? - Sie sollte _____ .

2. Германски (Втор странски јазик) - Општо образование

Прашање

Die Jugendherberge liegt bei Konstanz, im nördlichen Vorort Allmannsdorf. Mit dem Bus (Linie 4) bis zur Haltestelle „Jugendherberge“, dann ca. 10 Minuten zu Fuß.

Wo liegt die Jugendherberge?

Das Hotel ist laut, es ist nicht sauber und wir haben keinen Komfort. Die Zimmer sind hässlich und teuer und das Essen schmeckt mir gar nicht. Die Diskothek ist geschlossen, das Schwimmbad auch.

Wie ist das Hotel? - Es ist _____ .

2. Германски (Втор странски јазик) - Општо образование

Прашање

Ausflugsmöglichkeiten: Stadtbesichtigung in Konstanz (Meerwasseraquarium, Naturmuseum, Geburtshaus von Zeppelin), Schiffsausflug auf dem Bodensee, Ausflug zur Insel Mainau (Blumeninsel), Ausflug in die Schweiz.

Das Aquarium enthält _____

Michael ist mit seiner Freundin ins Kino gegangen. Sie haben einen spannenden Film gesehen. Er hatte eine schöne Zeit, aber sie war etwas nervös.

Wer war nicht zufrieden?

2. Германски (Втор странски јазик) - Општо образование

Прашање

Liebe Susanne, ich schreibe dir jetzt, weil ich nämlich einen tollen Typ kennen gelernt habe. Er heißt Hans und er ist vier Jahre älter als ich. Vor zwei Tagen habe ich ihn zum ersten Mal in der Schule getroffen. Deine Steffi **Wem schreibt Steffi?**

Melissa hat einen Zettel für ihren Mann Frank geschrieben: "Nicht vergessen, Badeanzüge, Luftmatraze, Taucherbrille zu besorgen und Zimmer im Hotel zu reservieren!"

Wohin fahren Melissa und ihr Mann Frank?

Anna hat zehn Kilo zugenommen. Sie mag kein Obst und kein Gemüse und sie sitzt den ganzen Tag vor dem Fernseher und isst dabei Süßigkeiten. Sie macht keinen Sport.

Was sollte sie jetzt machen? - Sie sollte _____ .

2. Германски (Втор странски јазик) - Општо образование

Прашање

Das Hotel „Kolumbo“ liegt im Vorort von Konstanz, weit weg vom Stadtzentrum. Wenn man im Stadtzentrum ist, kann man es nur mit einem Verkehrsmittel erreichen. **Man kann zum Hotel** _____ .

40 Zimmer mit insgesamt 180 Betten, Vier- und Sechsbettzimmer. Alle Zimmer mit eigener Dusche/WC. Das Haus hat sechs Tagesräume, drei Freizeit- und Spielräume, Bistro, Discoraum.

In den Zimmern kann man nicht _____ .

Das Hotel Astoria liegt direkt am Strand. Es wurde vor drei Jahren komplett renoviert. Das Hotel hat fünf Stockwerke.

Wo liegt das Hotel?

2. Германски (Втор странски јазик) - Општо образование

Прашање

Mein Bruder und ich spielen einmal in der Woche Tennis auf dem Tennisplatz. Wir fahren immer mit der S-Bahn hin und zurück. Die Fahrt in eine Richtung kostet fünf Euro pro Person.

Wie viel zahlen wir jede Woche für die Fahrt?

Ich war gestern auf dem Markt. Ich habe ein halbes Kilo Gurken, ein Kilo Tomaten, ein halbes Kilo rote Paprika, zwei Kilo Äpfel, zwei Kilo Erdbeeren und ein Kilo weiße Bohnen gekauft.

Wie viel Obst habe ich gekauft?

2. Германски (Втор странски јазик) - Општо образование

Прашање

Ich war gestern auf dem Markt. Ich habe ein halbes Kilo Gurken, ein Kilo Tomaten, ein halbes Kilo rote Paprika, zwei Kilo Äpfel, zwei Kilo Erdbeeren und ein Kilo weiße Bohnen gekauft.

Wie viel Gemüse habe ich gekauft?

Freizeiteinrichtungen am Haus: Fußballtor, Tischtennisplatte, Grill, Schachbrett, Streetballgelände, Außensitzplätze für ca. 80 Personen.

Was kann man bei diesen Freizeiteinrichtungen nicht machen?- Man kann nicht _____ .

2. Германски (Втор странски јазик) - Општо образование

Прашање

Frau Wagner ist im Geschäft. Sie kauft viele Sachen für die Familie und für das Haus ein. Die Verkäuferin ist sehr nett. Lachend geht Frau Wagner nach Hause.

Wie fühlt sich Frau Wagner? - Sie fühlt sich _____ .

Meine Haare gefallen mir nicht. Ich brauche ein neues Styling. Das kann ich nicht selbst machen. Zuerst kaufe ich eine Haarfarbe und dann gehe ich

_____ .

OktoberDer Oktober ist wirklich wunderschön.Der Oktober schmeckt wie reife, süße Nüsse.Der Oktober duftet nach frischen Äpfeln. Der Oktober sieht wie ein bunter Maler aus.**Welche Jahreszeit ist in diesem Gedicht beschrieben?**

2. Германски (Втор странски јазик) - Општо образование

Прашање

Heute feiert Sami seinen siebten Geburtstag. Es ist ein ganz besonderer Geburtstag! Zum ersten Mal seit drei Jahren feiert die Familie wieder gemeinsam ein Fest.

Wie feiert jetzt die Familie Samis Geburtstag?

Preise: Übernachtung mit Frühstück 1. Nacht kostet 21,00 Euro, jede weitere Nacht kostet 18,00 Euro. Halbpension 1. Nacht kostet 26,00 Euro, jede weitere Nacht kostet 23,00 Euro.

Was kostet eine Übernachtung mit Frühstück + Mittagessen?

2. Германски (Втор странски јазик) - Општо образование

Прашање

Heute ist Donnerstag, der 10. August, und der vierte Tag unserer Reise. Wir haben noch zwei Tage Fahrt bis zum Ziel. Aber ich kann kaum mehr diese Schiffsreise ertragen. Von den großen Wellen ist mir ständig übel.

Wenn ich jetzt tauschen könnte, _____ .

Heute ist Donnerstag, der 10. August, und der vierte Tag unserer Reise. Wir haben noch zwei Tage Fahrt bis zum Ziel. Aber ich kann kaum mehr diese Schiffsreise ertragen. Von den großen Wellen ist mir ständig übel.

Wie lange dauert die ganze Schiffsreise? - _____ .

2. Германски (Втор странски јазик) - Општо образование

Прашање

Liebe Anne,
ich schreibe dir jetzt, weil ich nämlich einen tollen Typ kennen gelernt habe. Er heißt Harry und er ist fünf Jahre älter als ich. Vor zwei Tagen habe ich ihn zum ersten Mal in der Disco gesehen.

Deine Martina

Was ist richtig?

Liebe Anne,
ich schreibe dir jetzt, weil ich nämlich einen tollen Typ kennen gelernt habe. Er heißt Harry und er ist fünf Jahre älter als ich. Vor zwei Tagen habe ich ihn zum ersten Mal in der Disco gesehen.

Deine Martina

Wann hat Martina den Jungen kennen gelernt?

3. Германски (Прв странски јазик) - Општо образование

Прашање

Es gibt viel Schnee. Es _____.

Jeden Morgen esse ich einen Apfel. Ich esse viel _____.

Fische kann man nicht _____.

Welches Tier ist kein Haustier?

Ich kämme mir _____.

Vegetarier essen _____.

Man hört ihn bei einem Gewitter.

Wie ziehst du dich an?- _____.

Er duscht sich im _____.

Wer organisiert diese Fahrt nach Berlin? - _____.

3. Германски (Прв странски јазик) - Општо образование

Прашање

Es ist gesund, _____.

Wenn ich kein Geld habe, bezahle ich mit meiner _____.

Es ist gesund, jeden Tag einen Salat zu essen. Was ist gesund? - Es ist gesund, jeden Tag _____ zu essen.

Mein Haustier ist krank. Ich muss es zum _____ bringen.

Wann hast du dir _____ gewaschen?

Was ziehst du heute Abend für _____ an?

„Schokoriegel, Bonbons, Gummibärchen“- das sind _____.

Ich esse viel Erdbeeren. Erdbeeren sind _____.

3. Германски (Прв странски јазик) - Општо образование

Прашање

Er ist zu dick. Er sollte 10 kg _____.

Der Joghurt gehört zu _____.

Was ist die Rose?

Die Donau ist _____ in Deutschland.

Mein Papagei und meine Katze sind meine _____.

Jeden Tag esse ich Gurken, Tomaten und Paprika. Ich esse viel _____.

Der Rhein ist _____ in Deutschland.

Mein Hund und meine Schildkröte sind meine _____.

Die Tanne ist _____.

Jeden Morgen esse ich Äpfel, Orangen oder Birnen. Ich esse viel _____.

Ich bin in der Metzgerei. Ich kaufe _____.

3. Германски (Прв странски јазик) - Општо образование

Прашање

Ich habe gestern sehr laute Musik gehört und meine _____ tun mir weh.

Welchen Ballsport spielt man mit Schlägern?

Im Gebirge kann man schöne Spaziergänge machen. Das heißt, man kann in den Bergen _____.

Wenn es regnet und wenn gleichzeitig die Sonne scheint, _____.

Die gute Ernährung ist sehr wichtig für die Haustiere. _____ Sie ihre Lieblinge regelmäßig!

Was kann man tun, um die Umwelt zu schützen?

Welches Tier soll geschützt sein?

3. Германски (Прв странски јазик) - Општо образование

Прашање

Zu den Schulsachen passt _____ nicht.

Der Löwe gehört zur _____.

Das Jahr hat vier _____.

Mein Freund ist immer unterwegs. Das heißt er ist immer _____.

Jan hat sich tätowieren lassen, das ist _____.

Isst du gern Schnitzel?- Ja, ich mag _____.

Messer, Gabeln und Löffel gehören zum _____.

Sie hatte immer lange Haare. Sie hat sich die Haare schneiden lassen. Jetzt hat sie _____.

Mir ist kalt, ich ziehe mich _____ an.

3. Германски (Прв странски јазик) - Општо образование

Прашање

Jeder Mensch hat zwei _____.

Wenn ich krank bin, gehe ich zum _____.

Im Wald kann man schöne Spaziergänge machen. Das bedeutet: man kann dort _____.

Wo kann man Äpfel und Birnen kaufen? _____.

Die Schüler bekommen am Ende jedes Schuljahres _____.

Ein kleines Kind geht in den _____.

Zum Geburtstag _____ wir unserer Mutter ein Buch.

Biologie, Mathe, Geschichte sind _____.

Meine Augen tun mir weh, ich kann nicht _____.

3. Германски (Прв странски јазик) - Општо образование

Прашање

Jeder Mensch hat zehn _____ und zehn _____.

Im August macht man _____.

Ein Pferd kann man _____.

Uwe kauft eine Fahrkarte.

Wo befindet sich das Deutsche Museum?

Meine Schwester reist gern. Das heißt, sie ist immer _____.

Wie schmeckt dir die kalte Cola? Sie schmeckt _____.

Andrea hat sich die Haare färben lassen, Sie war beim _____.

Den Klimawandel verursachen meistens die _____.

Mein Opa und meine Oma sind meine _____.

Wo kann man einen Fisch kaufen? Auf dem _____.

3. Германски (Прв странски јазик) - Општо образование

Прашање

Wenn man etwas drucken will, dann braucht man _____.

Was baute die Regierung zwischen West-Berlin und Ost-Berlin?

Hanna liebt Tommy. Sie ist _____.

Lars lügt sehr oft. Niemand glaubt ihm mehr. Er ist nicht _____.

Mein Freund Marko _____ sehr oft im Internet.

Wir _____ kommen.

Möchtest du jetzt einen Krimi _____ einen Liebesfilm sehen?

Anna ist meine beste Freundin. Ich möchte _____ etwas schenken.

Das ist wirklich eine sehr _____ Idee.

Ich spreche _____ die neue Schülerin.

Ich _____ so lange auf meine Freundin.

Das ist mein Freund Jan, ____ sehr chatten möchte.

Das ist mein Freund, _____ ich jeden Tag anrufe.

3. Германски (Прв странски јазик) - Општо образование

Прашање

_____ ist in Katja verliebt?

Ich _____ nach Italien fahren.

Die Schüler müssen ihre Handys im Unterricht _____.

Ich träume von _____ neuen Fahrrad.

Mein Vater liest jeden Tag die Zeitung, _____ immer nur den Sportteil.

Ich finde Papageien toll. _____ findest du Papageien?

Ich wasche _____ das Gesicht.

Das Wetter _____ morgen schön.

Das Kätzchen ist _____ kleine Katze.

Ich kenne diesen Jungen da. Er heißt Marko. - _____ kennst du?

Mein Hund ist krank. Ich bringe ihn _____ Arzt.

Ich verkaufe einen _____ Hamster.

Was habt ihr gestern gemacht? - Wir waren in einem _____ Restaurant.

3. Германски (Прв странски јазик) - Општо образование

Прашање

Ich hoffe, _____ du morgen kommst.

Ich fahre nicht mit dem Bus. - Warum denn nicht? - Mit dem Auto ist es viel _____.

Wenn ein Tier Hunger hat, sollen wir es _____.

Kochst du jeden Tag? - Nein, leider nicht. Ich koche nur, _____ ich Zeit habe.

Wo ist denn meine Schultasche? Sie steht _____.

Komm, ich mache ein Foto. _____ dich neben Onkel Alfons.

Oh nein, jetzt bin ich in den falschen Bus _____.

_____ ich Taschengeld bekomme, kaufe ich mir eine neue CD.

Warum warst du gestern nicht auf der Party?

Monika möchte Tierärztin werden, _____.

Er hat Angst vor dem Fliegen. Wie _____ es mit einer Schifffreise?

3. Германски (Прв странски јазик) - Општо образование

Прашање

Ich bekomme oft schlechte Noten. Was soll ich tun?

_____ wohnt Michaela? - In der Herzogstraße.

In Berlin _____ einen großen Zoo.

_____ gab es einen Regenbogen? - Am Montag.

Wo ist der Keller?

_____ wohnt Martina? - In der Schumannstraße.

_____ gab es Regen? - Am Dienstag.

Wo ist das Dach?

Ich interessiere mich _____ den Film.

Anna _____ oft über die Schule.

_____ sind in Mode.

Wie gefällt dir der _____ ?

Die Mädchen mögen lange _____ .

3. Германски (Прв странски јазик) - Општо образование

Прашање

Kennst du Maria?- Ja, und ich finde _____ sehr sympathisch.

Meine Oma _____ sich gern an ihre Jugend.

Peter ist mein Traumjunge. Ich liebe _____ .

Ich _____ mich über das Geschenk. Vielen Dank.

Meine Mutter trägt gern _____ .

_____ ziehst du lieber an, Hosen oder Röcke?

Das Buch liegt auf _____ Tisch.

Ich lege die Flasche in _____ Kühlschrank.

3. Германски (Прв странски јазик) - Општо образование

Прашање

Er steht vor der Tür. _____ steht er?

Das Bild hängt an _____ Wand.

Matthias möchte frisches Brot essen. Er geht _____ Bäcker.

Wohin fährst du? _____.

Im letzten Sommer _____ ich mit meinen Eltern in Urlaub.

_____ **meinem Auto fahre ich jeden Tag zur Arbeit.**

Mein Hund ist krank. Ich bringe ihn _____ Tierarzt.

Diesen Sommer fährt Andreas _____ Chiemsee.

Morgen fahren wir _____ München.

Der Film beginnt in 10 Minuten. Du musst _____ beeilen.

Was für eine Jacke hast du dir gekauft? _____.

3. Германски (Прв странски јазик) - Општо образование

Прашање

Er geht jeden Morgen arbeiten. Er geht _____.

Wo ist denn mein Fahrrad?

Wem gehört das Buch da?

Ich möchte nach Italien fahren, weil _____

Meine Tante fliegt _____ New York.

Wenn Jan Hunger hat, _____.

Luftverschmutzung entsteht durch _____.

Was hast du heute Morgen gemacht?

Mein Bruder und meine Schwester sind meine _____.

Markus kauft ein Flugticket.

3. Германски (Прв странски јазик) - Општо образование

Прашање

Wo liegen die meisten Jugendherbergen?

Wohin gehst du?

Letzten Sommer _____ ich mit meinen Freunden in Urlaub.

**Ihr _____
noch
das Zimmer
aufräumen.**

Meine Schwester ist verletzt. Ich bringe sie _____ Krankenhaus.

Diesen Sommer fährt Fabian _____ Ohridsee.

Die Stunde beginnt in 5 Minuten. Du musst _____ beeilen.

Was für eine Tasche hast du dir gekauft?

Ich habe einen Hund und ich muss ihn jeden Tag _____.

3. Германски (Прв странски јазик) - Општо образование

Прашање

Komm, wir essen jetzt. Setz dich auf _____.

Oh nein, jetzt bin ich in den falschen Zug _____.

_____ ich mehr Geld hätte, würde ich eine Weltreise machen.

Warum warst du gestern nicht auf der Geburtstagparty?

Monika möchte Lehrerin werden, _____.

Er hat Angst vor Wasser. Wie _____ es mit einer Busreise?

Ich habe eine schlechte Note in Latein. Was soll ich tun?

Wie spät ist es? (8.30 Uhr)

Am Wochenende gehen wir schwimmen. Kommst du mit?

Mami, wie ist das Wetter heute?

Hier ist Rauchen verboten.

Die Schokoladentorte schmeckt ganz gut.

3. Германски (Прв странски јазик) - Општо образование

Прашање

Um wie viel Uhr fährt der Zug nach Berlin ab?

Peter möchte in einem Hotel übernachten. Was sagt er an der Rezeption?

Am Sonntag machen wir einen Ausflug. Kommst du mit?

Mami, regnet es draußen?

Hier ist Handy verboten.

Was kann man lesen?

Ich habe heute eine gute Note bekommen. Ich bin sehr _____.

Was kannst du im Fernsehen nicht sehen?

Im Internet kann man _____.

Man tippt mithilfe _____.

Zwei Drittel schreibt man _____.

Andrea möchte einen gebrauchten Computer kaufen. Was soll sie machen, um Computer zu kaufen?

3. Германски (Прв странски јазик) - Општо образование

Прашање

Andrea hört fast jeden Tag Mozart und Bethoven. Sie interessiert sich für_____.

Sie ist unruhig. Sie ist _____.

Ich möchte dich anrufen. Gib mir bitte deine _____!

Zu einem Computer gehört _____ nicht.

Mein Vater interessiert sich sehr für Politik. Er sieht sehr oft _____.

Was gehört zu einer Freundschaft?

Warum spielst du Eishockey?

Bist du krank?

Ich habe so einen Appetit.

Opa und Oma kommen heute. Was soll ich kochen?

Hast du einen neuen Freund?

3. Германски (Прв странски јазик) - Општо образование

Прашање

Wie sind meine Haare?

Ich möchte Marta zum Geburtstag einladen.

Kochst du jeden Tag?

Bei diesem Wetter kann ich nicht Rad fahren.

Warum möchte Alex Tierarzt werden?

Meine Noten in der Schule sind schlecht. Was soll ich tun?

Im Zug steht: _____

Was ist dein Lieblingsessen?

Rufst du Anne an?

Wanderurlaub ist lustig. Was sagst du dazu?

Ich habe so einen Hunger.

Dein Bruder hat morgen Geburtstag. Was sagst du ihm?

Ich möchte Anna zur Party einladen.

3. Германски (Прв странски јазик) - Општо образование

Прашање

Biljana ist in der Metzgerei. Was sagt sie?

Es blitzt und donnert, _____

Kommst du mit? Wir gehen schwimmen.

Meine Freundin ist zu dick. Was macht sie falsch?

Du brauchst Briefpapier, aber du findest die Post nicht. Was sagst du?

Was würdest du machen, wenn du Millionär wärest?

Was braucht man für einen Campingurlaub?

Uwe trinkt gern Orangensaft. Das ist sein _____.

Am 25. und 26. Dezember feiert man in Deutschland _____.

Ein Zoo ist _____.

Katja ist in einer Boutique. Was sagt sie?

3. Германски (Прв странски јазик) - Општо образование

Прашање

"Es ist neblig" bedeutet _____.

Kommst du mit? Wir gehen in den Park!

Meine Freundin hat Kopfschmerzen. Was macht sie falsch?

Du brauchst eine Ansichtskarte, aber du findest den Kiosk nicht. Was sagst du?

Was würdest du machen, wenn du im Lotto gewinnen würdest?

Was braucht man für einen Fitnessurlaub?

Mein Mathelehrer sagt immer Witze.

Verliebst du dich oft?

Eva ist sehr ängstlich.

Mit wem sprichst du über mich?

Warum bist du dick?

Sieh, ich habe eine neue Bluse.

3. Германски (Прв странски јазик) - Општо образование

Прашање

Sag mal, wo kann ich Power Point lernen?

Mit wem chattest du so oft?

Weißt du, wo mein Handy ist?

Wovor hast du Angst?

Bist du sehr aufgeregt?

Ist dir nicht langweilig?

Wie war es gestern?

Ich bin zu dick. Was soll ich machen?

3. Германски (Прв странски јазик) - Општо образование

Прашање

Sonntag, den 20. April

Hallo Jessica,
wie geht es dir? Mir geht es gut. Ich gehe in die Schule, ich lerne und am
Wochenende gehe ich ins Café. Meinem Bruder Jan geht es auch gut. Was
machst du?
Wie ist es bei dir?
Schreib bald,
Deine Maria

Was ist das?

3. Германски (Прв странски јазик) - Општо образование

Прашање

Sonntag, den 20. April

Hallo Jessica,
wie geht es dir? Mir geht es gut. Ich gehe in die Schule, ich lerne und am
Wochenende gehe ich ins Café. Meinem Bruder Jan geht es auch gut. Was
machst du?
Wie ist es bei dir?
Schreib bald,
Deine Maria

Wer schreibt?

Ich und meine Eltern waren oft in Italien und Griechenland. Fast jeden Sommer.
Wie langweilig. Jetzt möchte ich mal was anderes machen und mit meinen
Mitschülern Urlaub machen. (Irena)

Mit wem möchte Irena Urlaub machen?

3. Германски (Прв странски јазик) - Општо образование

Прашање

Ana hat einen Jungen kennengelernt und sie treffen sich heute Abend. Er ist sehr schön. Ana hat Panik vor dem ersten Date. Sie ist total nervös.

Wie fühlt sich Ana?

Martin hat eine neue Freundin. Er hat sich in sie verliebt. Sie sind fast jeden Tag zusammen. Deshalb sind in der letzten Zeit seine Noten in der Schule schlecht.

Wie oft sind sie zusammen?

3. Германски (Прв странски јазик) - Општо образование

Прашање

Sonntag, den 20. April

Hallo Steffi,
ich bin gestern in Zürich angekommen. Die Bahnfahrt war lang und anstrengend.

Ich habe schon vor einigen Wochen einen Platz reserviert.

Schreib bald,
Deine Johanna

Was ist das?

3. Германски (Прв странски јазик) - Општо образование

Прашање

Sonntag, den 20. April

Hallo, Steffi

Ich bin gestern in Zürich angekommen. Die Bahnfahrt war lang und anstrengend.

Ich habe schon vor einigen Wochen einen Platz reserviert.

Schreib bald,

Deine Johanna

Wer schreibt?

Mein Vater ist Orchestermusiker. Er spielt Geige. Und meine Mutter ist eine ganz tolle Pianistin. Wir haben zu Hause immer viel Musik gemacht. Ich habe schon sehr früh angefangen, Gitarre zu spielen. **Wer spielt Saxophon?**

Martin möchte hören, wie das Wetter wird. Dazu sucht er nach einem Radioprogramm. **Welches Programm sucht er?**

3. Германски (Прв странски јазик) - Општо образование

Прашање

verk. einen gebrauchten Computer.
sechs Monaten alt, fast neu
Kontaktname: Anton
Telefonnummer: 23 32 455

Was ist das?

Ich und meine Freundinnen waren oft in der Türkei und Griechenland. Fast jeden Sommer. Wie langweilig. Jetzt möchte ich mal was anderes machen und mit meinem Bruder und mit meiner Schwester Urlaub machen.
Martina

Mit wem möchte Martina Urlaub machen?

3. Германски (Прв странски јазик) - Општо образование

Прашање

Ana ist gestern mit der Straßenbahn zur Schule gefahren. Die Straßenbahn hatte 10 Minuten Verspätung. Ana geriet in Panik, spät in die Schule zu kommen.

Wie fühlt sich Ana?

Es klingelt. Die Stunde beginnt. Der Geschichtslehrer kommt. Janna hat Angst. Sie hat die letzte Lektion nicht gelernt. Gestern Abend war sie bei ihrer Freundin Marianne. **Warum hat Janna Angst?**

Liebe Hanna,
ich schreibe dir jetzt, weil ich nämlich einen tollen Typ kennen gelernt habe. Er heißt Harry, ist fünf Jahre älter als ich. Vor zwei Tagen habe ich ihn zum ersten Mal in der Disco gesehen.
Deine Tanja

Worüber schreibt Tanja?

3. Германски (Прв странски јазик) - Општо образование

Прашање

Emma hat einen Zettel für Fabian geschrieben: "Nicht vergessen! die Schianzüge, die Schischeuhe; Fahrkarten zu besorgen; Ferienhaus zu buchen!"

Wohin fahren Emma und Fabian?

Ema hat zehn Kilo zugenommen. Sie isst zu viel Süßigkeiten und sie sitzt den ganzen Tag am Computer. Sie macht keinen Sport. **Was muss sie jetzt machen?**

Die Jugendherberge liegt bei Konstanz, im nördlichen Vorort Allmannsdorf. Mit Bus (Linie 4) bis Haltestelle „Jugendherberge“, dann ca. 10 Minuten Fußweg. **Wo liegt die Jugendherberge?**

Zimmer mit insgesamt 190 Betten, Vier- und Sechsbettzimmer. Alle Zimmer mit eigener Dusche/WC. Das Haus hat sechs Tagesräume, drei Freizeit- und Spielräume, Bistro, Discoraum. **Was hat jedes Zimmer?**

Ausflugsmöglichkeiten: Stadtbesichtigung in Konstanz (Meerwasseraquarium, Naturmuseum, Geburtshaus von Zeppelin), Schiffsausflug auf dem Bodensee, Ausflug zur Insel Mainau (Blumeninsel), Ausflug in die Schweiz. **Wie ist das Wasser im Aquarium?**

3. Германски (Прв странски јазик) - Општо образование

Прашање

Michael ist mit seiner Freundin ins Kino gegangen. Sie haben einen spannenden Film gesehen. Er war sehr zufrieden, aber seine Freundin war etwas nervös.

Wer war nicht zufrieden?

Liebe Susanne,
ich schreibe dir jetzt, weil ich nämlich einen tollen Typ kennengelernt habe. Er heißt Hans, ist vier Jahre älter als ich. Vor zwei Tagen habe ich ihn zum ersten Mal in der Schule getroffen.
Deine Steffi

Wem schreibt Steffi ?

3. Германски (Прв странски јазик) - Општо образование

Прашање

Marta hat einen Zettel für ihren Mann Frank geschrieben: "Nicht vergessen!, Badeanzüge, Luftmatraze; Taucherbrille zu besorgen; Zimmer im Hotel reservieren!"

Wohin fahren Marta und ihr Mann Frank?

Anna hat zehn Kilo zugenommen. Sie mag kein Obst und kein Gemüse und sie sitzt den ganzen Tag vor dem Fernseher und isst dabei Süßigkeiten. Sie macht keinen Sport. **Was muss sie jetzt machen?**

Das Hotel „Kolumbo“ liegt im Vorort von Konstanz. Man fährt mit der Buslinie Nr.9 bis zum Hotel. **Mit welcher Buslinie fährt man bis zum Hotel Kolumbia?**

Das Hotel Astoria liegt direkt am Strand. Das Hotel wurde vor drei Jahren komplett renoviert. Das Hotel hat fünf Stockwerke (Etagen).

Wo liegt das Hotel?

3. Германски (Прв странски јазик) - Општо образование

Прашање

Ich und mein Bruder spielen samstags und sonntags Tennis auf dem Tennisplatz. Wir fahren immer mit der S-Bahn dorthin. Die Fahrt in einer Richtung kostet 5 Euro pro Person. **Wohin fahren die Brüder am Wochenende?**

Ich war gestern auf dem Markt und habe Gemüse und Obst gekauft. Dort habe ich halbes Kilo Gurken, ein Kilo Tomaten, ein halbes Kilo rote Paprika, und ein Kilo Kartoffeln gekauft. **Wo kann man Gemüse kaufen?**

Ich war gestern auf dem Markt und habe Gemüse und Obst gekauft. Dort habe ich halbes Kilo Gurken, ein Kilo Tomaten, ein halbes Kilo rote Paprika, und ein Kilo Kartoffeln gekauft. **Wieviel Gemüse habe ich gekauft?**

Freizeiteinrichtungen: Am Haus: Fußballtor, Volleyball, Tischtennis, Grill, Schach, Streetball, Außensitzplätze für ca. 80 Personen. **Was kann man am Haus nicht machen?**

3. Германски (Прв странски јазик) - Општо образование

Прашање

Mehrere Jugendliche sind heute sehr dick. Sie essen am meisten vor dem Schlafengehen. Sie sind gar nicht sportlich und sie sitzen den ganzen Tag vor dem Fernsehen. **Wann essen die Jugendlichen am meisten?**

Joana fühlt sich nicht gut. Sie geht zum Arzt und er sagt ihr, dass sie morgens mehr Obst essen soll, aber weniger Schokolade und Kuchen. Und mittags mehr Fleisch. **Was soll Joana frühstücken?**

Ana surft jeden Tag im Internet. Das mag sie sehr. Nur am Wochenende liest sie Zeitschriften, aber sie hört nie Radio. **Was macht Ana nicht?**

Ana surft jeden Tag im Internet. Das mag sie sehr. Nur am Wochenende liest sie Zeitschriften, aber sie hört nie Radio. **Was macht Ana regelmäßig?**

Ana surft jeden Tag im Internet. Das mag sie sehr. Nur am Wochenende liest sie Zeitschriften, aber sie hört nie Radio. **Was macht sie am Samstag und am Sonntag?**

3. Германски (Прв странски јазик) - Општо образование

Прашање

Nächste Woche macht Anas Freundin Petra eine Geburtstagsparty. Ana ist sehr glücklich, weil Joan auch kommt. Sie ist in ihn verliebt. Sie träumt jede Nacht von ihm. **Wer träumt?**

Nächste Woche macht Anas Freundin Petra eine Geburtstagsparty. Sie ist sehr glücklich, weil Joan auch kommt. Sie ist in ihn verliebt. Sie träumt jede Nacht von ihm. **Von wem träumt Ana?**

Das Internet ist heute sehr wichtig. Über Internet kann man einkaufen, Reisen buchen... . Immer mehr junge Leute kommunizieren mit Menschen, die sie gar nicht kennen. **Was machen die jungen Leute gern im Internet? - Sie _____.**

Ich spiele gern Schach, aber am liebsten mit Opa. Er spielt sehr gut Schach. Er ist wirklich ein sehr guter Schachspieler. **Mit wem spielst du Schach? - Mit meinem _____.**

Ana und Maria sind sehr gute Freundinnen. Sie gehen in dieselbe Schule, sie lernen zusammen. Aber Ana ist nie pünktlich. Maria ärgert sich immer darüber. **Warum ärgert sich Maria?**

3. Германски (Прв странски јазик) - Општо образование

Прашање

Liebe Ana,
ich bin so traurig. Heute ist Samstag und ich muss zu Hause bleiben. Ich darf nicht ausgehen, so sagt mein Vater. Er ärgert sich sehr, weil ich eine schlechte Note bekommen habe.
Deine Ena

Wer ist verärgert?

Mein Vater steht sehr früh auf. Zuerst trinkt er einen Kaffee und hört Radio. Dann liest er die Zeitungen. Er informiert sich immer durch das Radio und die Zeitungen, nie durch das Fernsehen. **Wie informiert sich der Vater?**

Ich habe eine Katze. Meine Freundin Maja möchte auch ein Haustier haben. Sie mag mein Kätzchen sehr. Sie liest die Anzeigen jeden Tag. **Was möchte Maja kaufen?**

Marko mag Sport. Er spielt am liebsten Fußball und Basketball. Er spielt schon sehr lange Fußball, fast sechs Jahre. **Wie lange spielt er Fußball?**

3. Германски (Прв странски јазик) - Општо образование

Прашање

Ich und meine Eltern waren oft in Italien und Griechenland. Fast jeden Sommer. Wie langweilig. Jetzt möchte ich mal was anderes machen und sehen. Ich möchte mit meinen Freundinnen aus der Schule einen Urlaub machen. **Mit wem möchte sie einen Urlaub machen?**

Am Samstagnachmittag trifft sich Marko mit Jan. Dann gehen sie auf den Tennisplatz. Danach gehen sie ins Café und trinken dort Kaffee und essen Eis. **Was spielen sie?**

Am Samstagnachmittag trifft sich Marko mit Jan. Dann gehen sie auf den Tennisplatz. Danach gehen sie ins Café und trinken dort Kaffee und essen Eis. **Was machen sie im Café?**

In der Freiziet spielen die Jugendlichen am meisten am Computer, surfen gern im Internet. Manchmal treiben sie Sport und sehen fern, aber sie helfen nur selten zu Hause. **Was machen die Jugendlichen regelmäßig in der Freiziet?**

Es ist sehr wichtig, was wir essen und trinken. Wir sollen täglich mehr Obst und Gemüse essen, aber weniger Fett und Süßigkeiten. So werden wir immer gesund und fit. **Was sollen wir jeden Tag essen?**

3. Германски (Прв странски јазик) - Општо образование

Прашање

Es ist sehr wichtig, was wir essen und trinken. Wir sollen täglich mehr Obst und Gemüse essen, aber weniger Fett und Süßigkeiten. So werden wir immer gesund und fit. **Wie bleiben wir fit?**

Tanzkurs

Interessierte Schüler melden sich bis Freitag. Am Montag treffen wir uns im Lehrerzimmer.

Frau Bergmann, die Tanzlehrerin

Was ist das?

Lisa plant ihre erste Diät. Sie macht eine Liste: keine Süßigkeiten, mehr Obst und Gemüse, weniger Milchprodukte. **Was darf Lisa nicht essen?**

3. Германски (Прв странски јазик) - Општо образование

Прашање

Spülmaschine Bosch

Ich verkaufe gebrauchte Spülmaschine der Marke Bosch. Maße: 84 cm hoch; 54,5 cm breit; 60 cm tief. Preis: 120 Euro. Region München, Tel.: 089/7349254

In dieser Anzeige _____ jemand eine Spülmaschine.

Tim sieht ab und zu Nachrichten im Fernsehen. Er liest Zeitungen und hört Radio. Am Wochenende sitzt er vor dem Computer. **Wie oft sieht Tim Nachrichten?**

Petra wohnt jetzt in Berlin. Sie hat keine Freunde. Ihre Eltern arbeiten fast den ganzen Tag. Wenn sie nach Hause kommen, schauen sie die Nachrichten oder lesen Zeitungen.

Ist Petra neu in Berlin?

3. Германски (Прв странски јазик) - Општо образование

Прашање

Die Kinder in Deutschland sind zu dick. Sie essen unregelmäßig und viele Süßigkeiten. Sie bewegen sich wenig und sitzen viel vor dem Fernseher.

Was sollen die Kinder machen?

Das Internet ist sehr populär bei den Jugendlichen. Im Internet kann man spielen, Texte schreiben, lernen, programmieren, chatten, Grafiken zeichnen.

Was kann man im Internet nicht machen?

3. Германски (Прв странски јазик) - Општо образование

Прашање

Liebe Doris,

tut mir leid, dass du im Sommer nicht zu mir kommst. Ich hatte viele Pläne:
zusammen nach Ohrid zu fahren, eine Party zu machen, neue Freunde
kennenzulernen. Schade!

Liebe Grüße

Beate

Das ist _____.

3. Германски (Прв странски јазик) - Општо образование

Прашање

Liebe Doris,

tut mir leid, dass du im Sommer nicht zu mir kommst. Ich hatte viele Pläne: zusammen nach Ohrid zu fahren, eine Party zu machen, neue Freunde kennenzulernen. Schade!

Liebe Grüße

Beate

Was plant Beate nicht?

Tom macht morgen eine Klassenfahrt nach Wien. Alle Mitschüler fahren mit. Der Bus fährt um 08:00 Uhr ab. Treffpunkt: Schulhof.

Wo treffen sich die Schüler?

3. Германски (Прв странски јазик) - Општо образование

Прашање

Tomi ist seit sieben Tagen in München. Letztes Jahr war er in Frankfurt. Er reist oft und gern. **Wie lange ist Tomi in München?**

Monika und Jasmina suchen die Post. Sie finden den Weg nicht. Monika fragt eine Frau, Jasmina fragt einen Jungen. Die Post ist auf der linken Seite.

Wen fragt Monika nach dem Weg?

Monika und Jasmina suchen die Post. Sie finden den Weg nicht. Monika fragt eine Frau, Jasmina fragt einen Jungen. Die Post ist auf der linken Seite.

Wo ist die Post?

Florian hat vor einem Monat einen Englischkurs in London gemacht. Er hat in einer Familie gewohnt. **Wo hat Florian einen Kurs gemacht?**

3. Германски (Прв странски јазик) - Општо образование

Прашање

Florian hat vor einem Monat einen Englischkurs in London gemacht. Er hat in einer Familie gewohnt. **Wo hat Florian in London gewohnt?**

Karin fährt in Urlaub. Sie hat zu viel Gepäck mitgenommen: Bücher, Rollschuhe, einen Teddy und einen Kassettenrekorder. In den Rucksack passt nicht alles. Sie nimmt ihr Spielzeug nicht mit.

Was nimmt Karin im Urlaub nicht mit?

Ohne einen Computer, einen Fernseher, einen Kühlschrank und ein Handy stellt sich Denis sein Leben nicht vor. Aber er kann ohne einen Staubsauger leben. Er gehört sowieso seiner Mutter.

Was würde Denis am wenigsten fehlen?

Mami, mein Fahrrad ist kaputt.

3. Германски (Прв странски јазик) - Општо образование

Прашање

Ich _____ gestern leider nicht kommen, weil ich länger im Büro bleiben musste.

4. Електротехника со електроника - Стручно образование

Прашање

Насоченото движење на слободните електрони низ проводникот се нарекува

Единица за густина на електричната струја е:

Електрична отпорност е

Разликата на потенцијалите на две точки од електричното коло е

Што е карактеристично за проводниците?

Кои материјали имаат мала специфична отпорност?

Единица за електрична проводност е:

Како се нарекува својството на електричните проводници да се спротивставуваат на течењето на електричната струја?

4. Електротехника со електроника - Стручно образование

Прашање

Единица за количество електрицитет е:

Што претставува електричниот напон?

Електричната струја претставува

Единица за електромоторна сила е:

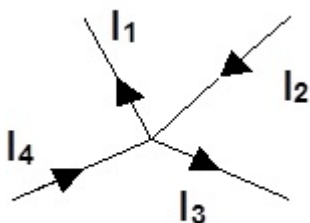
Отпорноста на отпорникот од $270 \text{ k}\Omega$, претворена во оми изнесува:

Според Омовиот закон струјата е

Напонот на краевите на потрошувачот од 23 mV , претворен во V изнесува:

Електричната отпорност на проводникот зависи

Точниот израз на првиот Кирхофов закон според дадената слика гласи :

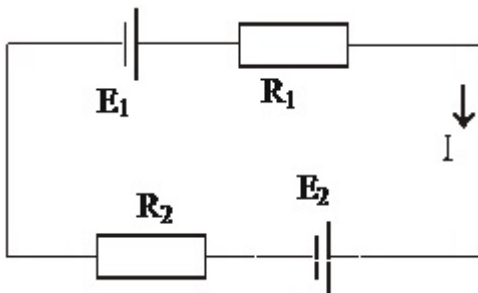


При течење на електричната струја низ отпорниците, доаѓа до трансформирање на електричната енергија во

4. Електротехника со електроника - Стручно образование

Прашање

Точниот израз на Вториот Кирхофов закон за електричното коло на сликата е:



Претворањето на електричната енергија во топлинска се врши при течење на струја низ

Колку би изнесувала еквивалентната отпорност на два паралелно поврзани отпорници од 10Ω ?

Колку изнесува моќноста на светилката за приклучување на напон од $24 V$, ако отпорноста на нејзиното спирално влакно е $2,304 \Omega$?

Паралелно се поврзуваат само извори кои имаат исти електромоторни сили. Зошто?

Два бакарни проводници се со иста должина и различни пресеци. Потенкиот проводник има четири пати помал пресек од подебелиот, а неговиот отпор во однос на проводникот со поголем пресек е

Колку изнесува еквивалентната отпорност на два сериски поврзани отпорници од 15Ω ?

Во кој случај електричните извори се поврзуваат редно (сериски)?

4. Електротехника со електроника - Стручно образование

Прашање

Колкава моќност има отпорникот од 10Ω , ако низ него тече струја од 10 A?

Колкава ќе биде отпорноста на бакарна намотка на $75 ^\circ\text{C}$, ако на $20 ^\circ\text{C}$ изнесува 100Ω ? Температурниот коефициентот на промена на отпорот во зависност од температурата за бакар е $0,004 \text{ } 1/^\circ\text{C}$.

Амперовото правило на десната рака се применува за

Што значи зборот пермеабилност?

Вкупниот број магнетни силиви линии што поминуваат низ дадена површина поставена нормално на нивниот правец се нарекува

Кои материјали се применуваат за изработка на јадра за електричните машини?

Флеминговото правило на левата рака се применува за одредување

Што претставува магнетното поле?

Што е соленоид?

Магнетен флуks е

Присуството на феромагнетните материјали во магнетното поле

4. Електротехника со електроника - Стручно образование

Прашање

Според Флеминговото правило, ако палецот, показалецот и средниот прст на левата рака ги наместиме да бидат нормални еден на друг, при што показалецот ја покажува насоката на магнетното поле во кое е поставен проводникот низ кој тече струја, а средниот прст насоката на струјата во проводникот, тогаш палецот ја покажува насоката на

Електромагнетната сила што дејствува на прав проводник со дадена должина во магнетно поле, низ кој тече електрична струја, зависи

Во неподвижна навивка поставена во постојано магнетно поле не се индуцира електромоторна сила. Зошто?

Низ проводник поставен во постојано магнетно поле тече струја, при што на проводникот делува електромагнетна сила. Што ќе се случи ако истовремено се промени насоката на магнетното поле и на струјата низ проводникот?

Точниот израз за електромагнетната сила F што дејствува на проводник со должина L , низ кој тече струја со јачина I , поставен во магнетно поле со индукција B , при што правецот на проводникот со правецот на магнетните силиви линии затвораат агол α , е:

Според законот за електромагнетна индукција, индуцираната електромоторна сила во затворено коло

Како се нарекува појавата на создавање индуцирана електромоторна сила во една намотка, поради промена на магнетниот флуks низ намотката предизвикана од друга намотка?

Колкава е индуцираната електромоторна сила на краевите од проводник долг 25 cm, кој се движи со брзина 5 m / s во магнетно поле со индукција 0,4 T?

4. Електротехника со електроника - Стручно образование

Прашање

Точниот израз на Ленцовиот закон за индуцираната електромоторна сила во функција од промената на магнетниот флукс и времетраењето на промената е:

Појавата на меѓусебна индукција се карактеризира со

Колку изнесува индуцираната електромоторна сила во прав проводник со должина 50 cm, што се движи со брзина 1 m/s нормално на правецот на магнетните силиви линии во магнетно поле со индукција 1,2 T ?

Проводник се движи со постојана брзина во магнетно поле нормално на правецот на силивите линии на полето, при што во него се индуцира електромоторна сила E [V]. Во еден момент проводникот запира и повторно продолжува да се движи во полето, но во спротивна насока и со иста брзина. Колку ќе изнесува притоа индуцираната електромоторна сила?

Проводник низ кој тече струја се наоѓа во магнетно поле, при што на него делува електромагнетна сила. При која положба на проводникот во однос на силивите линии на магнетното поле оваа сила ќе биде со максимална вредност, во случај кога не се менуваат: должината на проводникот во полето, магнетната индукција на полето и јачината на струјата низ проводникот?

Како се нарекува струјата чии промени по насока и јачина се вршат периодично?

Што значи зборот фаза на наизменичната струја?

Индуктивна се нарекува отпорноста на

Што е карактеристика на наизменичната струја?

4. Електротехника со електроника - Стручно образование

Прашање

Како се нарекува аргументот (во синусната функција $i = I_m \sqrt{2} \sin \omega t$? ωt)

Каква отпорност има кондензаторот во колото со наизменична струја?

Ако напонот на краевите на кондензаторот го изразиме со равенката: $u_C = U_m \sin \omega t$, за наизменичната струја ќе важи:

Импедансата во колото со омска, индуктивна и капацитивна отпорност се определува од равенката:

Во електричното коло со чисто омско оптоварување

Омската отпорност во колото со наизменична струја изнесува 8Ω , индуктивната отпорност е 10Ω , а капацитивната отпорност е 4Ω . Колку изнесува импедансата, ако трите вида отпорности се сериски поврзани?

Струјата во однос на напонот фазно задоцнува за 90° во случај кога отпорноста во колото на наизменична струја е

4. Електротехника со електроника - Стручно образование

Прашање

Колку изнесува капацитивноста на кондензатор при фреквенција од 50 Hz, ако неговата реактивна отпорност е $X_C=40 \Omega$?

Колку изнесува ефективната вредност на напонот, ако максималната вредност е 325,27 V?

Вртливо магнетно поле може да се добие по механички пат - ако постојаниот магнет се врти, а со него и полето што го создава. Но, друг начин за добивање вртливо поле е по електричен пат, од неподвижни возбудни намотки. Кој е условот за добивање трифазно вртливо магнетно поле на овај начин?

Колку изнесува индуктивниот отпор на соленоид со индуктивност 25 mH, при фреквенција на струјата 50 Hz ?

Колку изнесува максималната вредност на струјата, ако ефективната е 3,535 A?

Колку изнесува фазната разлика на индуцираните напони во трите фазни намотки на генераторот за наизменични струи, при дејство на симетрично вртливо поле?

Како се нарекува мерниот инструмент за мерење електрична моќност?

Кога на скалата од електричниот мерен инструмент стои ознаката: \perp , тоа значи дека инструментот е

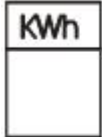
Индиректното мерење струја е со помош на

Кога мерниот инструмент има квадратна скала, тоа значи дека

4. Електротехника со електроника - Стручно образование

Прашање

Инструментот со симбол како на сликата, се користи за мерење



Колку приклучни стегалки има омметарот?

Како се нарекува мерниот инструмент за мерење отпорност?

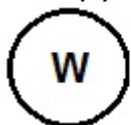
Кога на скалата од електричниот мерен инструмент стои ознаката како на сликата, тоа значи дека инструментот е



Индиректно мерење на напонот е со помош на

Кога инструментот има линеарна скала, тоа значи

Инструментот со симбол како на сликата служи за мерење на



Колку приклучни стегалки има амперметарот?

4. Електротехника со електроника - Стручно образование

Прашање

Индириктното мерење се карактеризира со

Кај индукционите броила се вградени два вида намотки:

Во врска со класите на точност на три мерни инструменти: 0,1; 1 и 5 точно е тврдењето:

Намотката на амперметарот се карактеризира со

Со постапките за придушување кај мерните инструменти

При добивање на вредноста на непознатата величина со пресметување на друга - директно измерена величина, мерењето се нарекува

Мерните инструменти со вртлива намотка работат врз принципот на

За споредбата на начините на поврзување на амперметрите и волтметрите во мерните кола точно е тврдењето:

Намотката на волтметарот се карактеризира со

При директно мерење моќност со ватметар неговата струјна и напонска намотка се поврзуваат така што

Ватметар има скала со 60 поделци. При мерење одбрано е напонско подрачје 125 V , струјно подрачје од 5 A, а стрелката покажува на 40 поделок. Колкава е измерената вредност?

4. Електротехника со електроника - Стручно образование

Прашање

При мерење отпор со UI – метода добиен е напон 12 V и струја 6A. Колку изнесува непознатата отпорност?

Што се постигнува со вградување дополнителен (заштитен) отпорник редно со намотката од волтметарот?

При мерење со волтметар со мерно подрачје 300 V и 150 поделки на скалата, стрелката покажува на 95 поделок. Колку изнесува измерената вредност?

При мерење моќност на отпорник во коло со еднонасочна струја со UI – метода измерен е напон на краевите од отпорникот 250 V и струја во колото 10 A. Колку е моќноста на отпорникот?

При мерење моќност на отпорник во коло со еднонасочна струја со UI – метода измерен е напон на краевите од отпорникот 100 V и струја во колото 10 A. Колку е моќноста на отпорникот?

При мерење отпор со UI – метода добиен е напон 50 V и струја 5A. Колку изнесува непознатата отпорност?

При мерење со амперметар со мерно подрачје 40 mA и 20 поделки на скалата, стрелката покажува на 14 поделок. Колку изнесува измерената вредност?

Ватметар има скала со 60 поделки. При мерење одбрано е напонско подрачје 250 V , струјно подрачје од 10 A, а стрелката покажува на 30 поделок. Колкава е мерната вредност?

4. Електротехника со електроника - Стручно образование

Прашање

Кога при мерење со амперметар е потребно да се зголеми мерното подрачје со цел за да се овозможи мерење на поголеми струи од тие што можат да се измерат без ваквото зголемување на мерното подрачје, тоа се прави со поврзување

Активни делови на трансформаторот се:

Основна намена на синхроните машини е како

Со оглед на можноста роторот на електричната машина да биде изведен како мазен-цилиндричен и во облик со испакнати магнетни полови, кај синхроните генератори практичните изведби се такви што

Колекторот е конструктивен елемент што се среќава во состав на

Со цел за постигнување поволна карактеристика на моторот за еднонасочна струја, при пуштање во работа во серија со арматурната (роторска) намотка се вклучува

Електричната машина на сликата е:



Електричниот трансформатор е :

4. Електротехника со електроника - Стручно образование

Прашање

Електричните машини може да се поделат и како стационарни и

Коефициент на трансформација на електричниот трансформатор се означува со:

Основни физички закони кои го одредуваат електромеханичкото претворање на енергија во машините со магнетно спрегнато поле се :

Статичката електрична машина со помош на која електричната енергија на наизменични напони и струи се трансформира во електрична енергија на напони и струи со други големини (амплитуди), при иста фреквенција, се нарекува:

Вртливата електрична машина за трансформација на електричната во механичка енергија се нарекува

Трансформатор чија примарна намотка има помалку навивки од секундарната намотка, се употребува за :

Електричните вртливи машини кај кои се постигнува условот - брзината на вртливото магнетно поле и брзината на вртење на роторот да бидат исти, се нарекува:

Трифазен трансформатор се добива со

4. Електротехника со електроника - Стручно образование

Прашање

Од што се изработува јадрото на електричниот трансформатор?

Колку е преносниот однос на трансформаторот изведен за примарен напон 500 V и секундарен напон 100 V?

Кога асинхрониот мотор е поврзан во спој ѕвезда, струјата на пуштање во работа изнесува 6 А. Колку би била почетната струја на моторот при пуштање во работа во спојот триаголник?

Ако е синхроната брзина на возбудното поле на асинхрониот мотор 1500 в./мин. а брзината на вртење на роторот е 1410 в./мин. колку е лизгањето?

Која карактеристика на моторот за еднонасочна струја претставува негова основна предност во однос на асинхрониот мотор?

Ако примарниот напон на трансформаторот изнесува $U' = 500 \text{ V}$, а преносниот однос е $m = 4$, тогаш напонот на секундарната страна ќе биде

Колкава е брзината на вртење на асинхрон мотор, ако бројот на парови полови $p = 4$ а фреквенцијата на струјата е 50Hz?

Сериски мотор на еднонасочна струја приклучен на напон од 100V се врти со брзина од 500 вртежи во минута. Низ него тече струја $I=50\text{A}$. Отпорноста на возбудната и роторската намотка изнесува $R_v + R_r = 0,25\Omega$. Колку изнесува механичката моќност на моторот?

4. Електротехника со електроника - Стручно образование

Прашање

Сериски мотор на еднонасочна струја приклучен на напон од 100V се врти со брзина од 500 вртежи во минута. Низ него тече струја $I=50A$. Отпорноста на возбудната и роторската намотка изнесува $R_v + R_r = 0,25\Omega$. Колку изнесува степенот на полезно дејство?

Што се електрични собирници?

За што се користи катодниот одводник во разводните постројки?

За реализација на заштита при работа во постројките за висок напон, постројката е поделена на зони во зависност од степенот на опасност. Притоа

Електрична централа е постројка за:

Разводните постројки се среќаваат како :

Заштитата на човечките животи во постројките за висок напон е и со ознаки. Притоа ознаката со најголема опасност е означена со

За што служат високонапонските прекинувачи во електричните постројки?

Која е улогата на трансформаторските станици?

Елементите и апаратите во електричната постројка се избрани според номиналната струја и

Доколку во електричната постројка би се јавила струја на куса врска, како заштита би се употребил:

4. Електротехника со електроника - Стручно образование

Прашање

Елементот од електричната инсталација со чија помош се врши вклучување и исклучување на одделни електрични кола се нарекува

На кое место во електричната инсталација се разгрануваат водовите за одделните електрични кола, со можност да бидат исклучени во нормален погон или при дефект?

Зошто служат осигурувачите во електричната инсталација?

Преносот на електричната енергија од изворот до потрошувачите се изведува со:

Какви видови осигурувачи постојат во електричните инсталации?

Заштитата со FID – склопка во електричната инсталација која што дејствува со автоматско исклучување при појава на диференцијална струја низ системот на заземјување, всушност е една од мерките за

За што служи електричната инсталација?

Колкава јачина на струја човековото тело НЕ ја чувствува?

На што влијае појавата на загревање на проводниците кога низ нив тече електрична струја?

Каква е намената на електричните броила?

Кои материјали според електричната проводност се наоѓаат меѓу изолаторите и проводниците?

4. Електротехника со електроника - Стручно образование

Прашање

Како се нарекува електронот што во нормални услови е исфрлен од своето место во атомот?

Електронот што го напушта своето место во атомот зад себе остава празнина, која се усвојува дека

Електронската компонента со две електроди и еден PN – спој се нарекува

Како се нарекуваат двете електроди на диодата?

Исправувачите на електричната струја се користат за

Како се нарекуваат компјутерите во машинството за водење машини за изработка на прецизни делови?

Што е тиристор?

Која е основната функција на тиристорот?

Полупроводничките елементи во кои светлинската енергија се претвора во електрична енергија или обратно, електричната енергија во енергија на светлинско зрачење, се именуваат како

Што се LED – диоди?

Што значи поимот AC – DC конвертор?

Како се нарекуваат елементите што имаат способност да ја пропуштаат наизменичната струја во една насока?

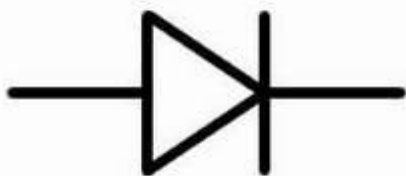
4. Електротехника со електроника - Стручно образование

Прашање

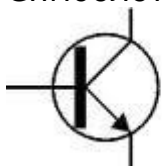
Специфичниот отпор на полупроводниците е со вредност:

Како уште се нарекуваат фотогенераторите?

Симболот даден на сликата означува :



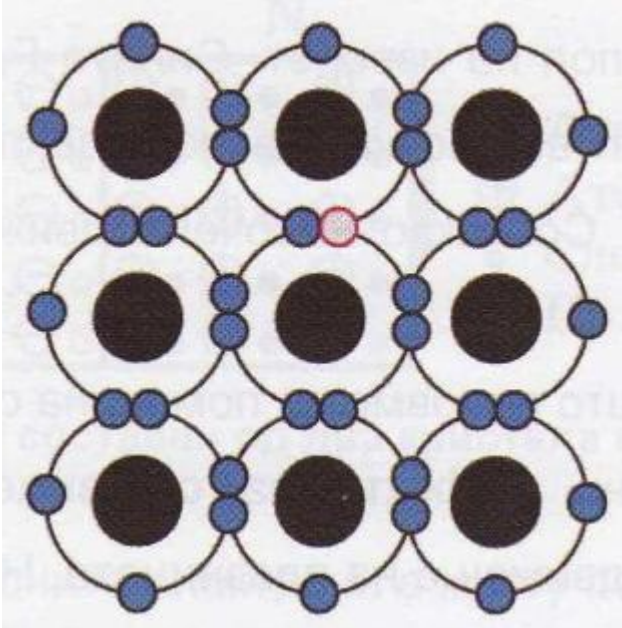
Симболот даден на сликата означува :



4. Електротехника со електроника - Стручно образование

Прашање

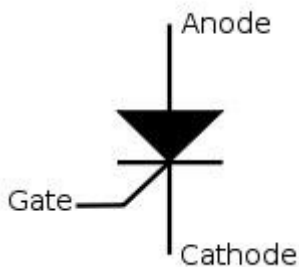
На сликата е претставен дел од кристална решетка на:



Електродите на диодата во електричните шеми ги означуваме со:

Полупроводнички елемент со два PN – споја и три електроди претставува:

На сликата е даден електричен симбол на:



Кој од наведените елементи се користи како материјал за изработка на диоди?

4. Електротехника со електроника - Стручно образование

Прашање

Елементот со чие внесување во чистиот четири валентен полупроводник се зголемува бројот на позитивни носители на електрицитет (празнини) е:

Што значи поимот рекомбинација на полнежите?

Кога за PN – спојот се вели дека е инверзно поларизиран?

Кога за PN – спојот се вели дека е директно поларизиран?

Која карактеристика на диодата е искористена при нејзината употреба како исправувачки елемент?

Елементот со чие внесување во чистиот четири валентен полупроводник се зголемува бројот на негативни носители на електрицитет (електрони) е:

Кога за исправување на струјата се користи една диода, таквиот принцип се нарекува

Што е карактеристика на двостраното насочување?

За што се користи Зенер – диодата?

Германиумот има атомски број 32, а во надворешната електронска обвивка има

Униполарни транзистори се транзистори кај кои:

Како се побудува тиристорот?

4. Електротехника со електроника - Стручно образование

Прашање

Во кој режим на работа транзисторот се однесува како затворен прекинувач?

Кога диодата е инверзно поларизирана?

За што се користат насочувачките диоди?

За РТС термисторите е карактеристично тоа што:

На температура на апсолутна нула чистиот полупроводник е:

Биполарните транзистори за разлика од униполарните, имаат струја низ

За што се применуваат варисторите?

Фотогенераторите се применуваат

Каде се применуваат фотоотпорниците?

Кога НЕ тече струја на дрејот низ FET- транзисторот?

За аналогните (линеарни) интегрирани кола карактеристично е тоа што

Со внесување атоми од елемент со помал број валентни електрони од бројот на валентни електрони на чистиот полупроводник, така што се појавува проводливост со позитивни носители, се добива

4. Електротехника со електроника - Стручно образование

Прашање

Со спојување полупроводник од N – тип и од P – тип, како последица на различните концентрации на подвижните наелектризирања со различен знак во двата дела на единствениот полупроводник, веднаш по образувањето на PN – спојот

Појасот околу граничната површина на P N – спојот во кој заради процесот на дифузија и рекомбинација се создава електрично поле со насока што делува спротивно на процесот на дифузија, претставува

Ако за полнење на акумулаторот е потребен еднонасочен напон 15 V , а се располага со наизменичен напон 220 V , тогаш за ваквата цел е потребен уред во кој има поврзано

Со внесување атоми од елемент со поголем број валентни електрони од бројот на валентни електрони на чистиот полупроводник, така што се појавува проводливост со негативни носители - електрони, се добива

Што е карактеристично за биполарните транзистори?

Како функционираат фотодиодите?

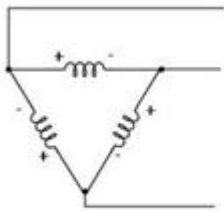
Како функционираат соларните ќелии?

Како се добива трифазно насочување на струјата?

4. Електротехника со електроника - Стручно образование

Прашање

Мерењето на моќноста може да биде со директно. Ватметарот треба да се поврзе на изводите од трифазниот систем. Ознаките на изводите. На сликата тие изводи не се означени, а треба да бидат:



Како се нарекуваат полупроводничките компоненти за електроника кои имаат 3 слоја во конфигурација НПН или ПНП?

Негативно наелектризирана честичка, внесува атомот, на нечистотија, кој се вика

5. Информатика - Општо образование

Прашање

Определи во кој објект на база на податоци може да се дефинира критериум или услов за прикажување на одредени записи од една или повеќе табели ?

Записите во табела на база на податоци се запишуваат во:

Што од наведеното НЕ е валиден тип на податок во база на податоци?

5. Информатика - Општо образование

Прашање

Поставување примарен клуч во база на податоци овозможува поврзување на:

Објекти во кои се внесуваат податоци во бази на податоци се нарекуваат:

Во база на податоци еден прашалник може да биде креиран од:

Ако во базата на податоци за училиште треба да се најдат сите наставници што предаваат во најмногу 6 паралелки, критериумот во прашалникот ќе биде:

Што ќе се случи со записот во поле на форма доколку тој се селектира и се притисне тастерот Delete од тастатурата?

Во едно поле во база на податоци запишан е изразот „>=#01/01/2009#“. Што ќе се изврши врз податоците во табелата?

Употребата на тагот <html> при пишување со HTML јазикот означува:

Кои тагови ја претставуваат основната структура на веб-страница креирана со HTML јазик?

5. Информатика - Општо образование

Прашање

Со користење на CSS синтаксата при креирање веб-документи се овозможува:

Користењето на тагот `<title>МАКЕДОНИЈА</title>` во HTML јазик на веб-страницата ќе овозможи прикажување:

Определи кој израз ќе постави хиперлинк на веб-страницата?

На веб-страницата на библиотеката има елемент контакт кој служи за испраќање пораки до администраторот. Што од наведеното ќе ја креира врската за испраќање порака?

Определи кој израз ќе ја порамни содржината во ќелијата од табелата на левата страна.

Определи кој израз ќе вметне слика на веб-страница.

Каков вид информации НЕ треба да се поставуваат на веб-страница?

Ако во HTML јазикот го употребиме тагот `<p>` тогаш на веб-страницата:

5. Информатика - Општо образование

Прашање

Опреди во колку реда ќе се прикаже текстот со кириличните букви со извршување на наведениот сегмент напишан во HTML јазик.

```
<html> <body> <p>Ова е<br>мојата<br>библиотека</p> </body> </html>
```

Опреди каква ќе биде позадината на веб-страницата со извршување на наведениот код во HTML јазик.

```
<html>
<body style="background-color:yellow;">
<h2 style="background-color:red;">Скопје</h2>
<p style="background-color:green;">Скопје</p>
</body>
</html>
```

5. Информатика - Општо образование

Прашање

Опреди што ќе се прикаже на веб-страницата со користење на наведените тагови во HTML јазик.

```
<html> <body><h4>Мени:</h4> <ol> <li>Кафе</li> <li>Чаж</li> <li>Млеко</li></ol></body></html>
```

Кога користиме таг за наслов во веб-документ, веб-пребарувачот ќе го прикаже:

Кои мултимедијални елементи се додаваат при обработка на видео запис?

Кој од наведените модели на бои ги користи трите основни бои: црвена зелена и сина?

Алатките на сликата во програма за растерска графика се користат за:



5. Информатика - Општо образование

Прашање

Алатките на сликата во програма за растерска графика се користат за:



Определи со кој од следниве формати одредена зачувана слика ќе зафаќа најмалку мемориски простор?

Доколку во палетата за слоеви во програма за компјутерска графика се активира алатката прикажана на сликата, тогаш слојот е:



При пишување текст во програма за растерска графика ќе се креира:

Редоследот на креираните слоеви во програма за компјутерска графика:

Доколку врз селекција на даден објект во програма за растерска графика се примени влечење со притиснато лево копче на глумчето и истовремено се притисне тастерот Shift од тастатурата, селекцијата ќе се:

Креирање правилна кружна селекција во програма за растерска графика се изведува со избрана алатка за кружна селекција и притиснат тастерот:

5. Информатика - Општо образование

Прашање

Алатката за доделување прелив во програма за растерска графика може да се аплицира врз:

Слика креирана во програма за растерска графика може да се состои од повеќе:

Кој дел од палетата со слоеви е најзначаен за квалитетот на снимката при додавање анимација на објект?

Со зголемување на димензиите на сликата нејзиниот квалитет ќе се:

Кој од наведените записи претставува правилно напишано име на графичка датотека?

Во програма за растерска графика Иван ја користи гумата за да избрише дел од сликата. На местото на избришаниот дел ќе се појави:

На слоевите во програма за растерска графика се прикажува:

Опреди со кое копче се креира нов слој во програма за растерска графика?

5. Информатика - Општо образование

Прашање

слика 1

слика 2

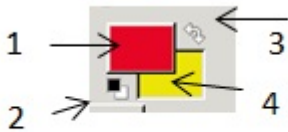
Кои постапки треба да се применат на сликата 1 за да се добие слика 2?



5. Информатика - Општо образование

Прашање

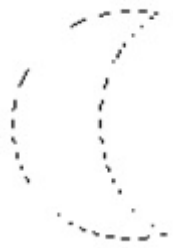
Ако се одбрани основната и позадинската боја како на сликата, на кое копче треба да се кликне за да се постави жолтата боја за основна и црвената боја за позадинска боја?



5. Информатика - Општо образование

Прашање

Елена сака да исцрта селекција во облик на млада месечина како на сликата. Таа прво треба да нацрта една кружна селекција и пред да ја исцрта втората кружна селекција, во опциите треба да го одбере копчето за:



Промена на редоследот на обоените кругови во програма за растерска графика, може да се направи со измена на редоследот на:



5. Информатика - Општо образование

Прашање

Секоја анимација има почеток и крај. Дефинирањето на почетокот и крајот на анимацијата се врши со поставување:

Со декларацијата `int data [5]` се дефинира:

Со декларацијата `"int arr [10]"`, се креира низа од:

Големината на една низа се определува со изразот:

Колку елементи треба да содржи низата `char name[] = "Darko" ?`

Декларирана е низа од 10 елементи со иницијализација `{1,2,3,4,5}`. Која вредност ќе се додели на осмиот елемент од низата?

Определи колку пати ќе се изврши следниот програмски код.
`z = 3; do { z = z + 2; cout << z; } while (z <= 8);`

Одговори што ќе се отпечати со извршување на следниов дел од програмата:
`x = 5; y = 5; if (x - y > 0) cout << x - y; else cout << x + y;`

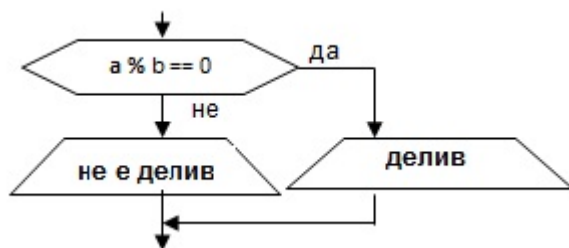
Определи која вредност ќе ја има променливата **a** по извршување на следниот програмски дел.
`a = 10; b = 2; if (a > 10 && b < 20) a = a + b; else if (a > 10) a = 2*a + b; else a = 3*a + b;`

Што е дефинирано со следниот израз? `const int visina=100;`

5. Информатика - Општо образование

Прашање

Врз основа на алгоритамската шема определи што од наведеното е точно.



Опреди која вредност ќе се прикаже по извршување на следниве наредби.

```
x=10;
y=5;
z=2*y;
if (x>=z)
z=z+x;
else
z=z+y;
cout<<z;
```

Ана напишала програма за печатење на броевите од 1 до 10. Кога ја превела програмата, преведувачот и јавил грешка. Каде згрешила Ана?#include <iostream>using namespace std;int main(){ char x;for (x=1; x<=10; x++){ cout<<x; } return 0;}

5. Информатика - Општо образование

Прашање

Опреди кој е резултатот по извршување на следниот програмски код.

```
#include <iostream>
using namespace std;
int main()
{
    float broj1 = 1.1;
    double broj2 = 1.1;
    if (broj1 == broj2)
        cout << "Nastavnik";
    else
        cout << "Ucenik";
    return 0;
}
```

Башким напишал програма за печатење на броевите од 10 до 1: #include <iostream> using namespace std; int main(){int a=10; while (a<=1){ cout<<a;} return 0;} По наредбата cout<<a; заборавил да ја напише наредбата a--;. Што ќе прикаже програмата на Башким?

Јане сака да ги отпечати броевите од 1 до 10. Кој програмски сегмент треба да го напише во неговата програма?

Која е разликата меѓу структурите do и while при креирање јамка?

Што се пресметува со извршување на следниот програмски блок?

```
#include<iostream>using namespace std;#define n 7int main(){ int i,total = 0;
int x[n] = {6,9,2,4,5,23,12}; for (i=0; i<n; i++){cout<<x[i]<<" "; total = total
+ x[i];}cout<<"\ntotal = "<<total<<endl; return 0;}
```

5. Информатика - Општо образование

Прашање

Што ќе се прикаже со извршување на следниот програмски блок?

```
#include <iostream>using namespace std;int main (){int i, niz[10];for (i=0;i<10;i++){ cout<<"Vnesi broj: ";cin>>niz[i];}for(i=9;i>=0;i--){cout<<niz[i]<<" "};return 0;}
```

Опреди што ќе се прикаже со извршување на следниот програмски сегмент.

```
#include<iostream>using namespace std;int main(){ int n,i=1; cout<<"Vnesi prirodan broj: "; cin>>n; while(i<=n) { if(n%i==0) cout<<i<<" "; i++; } return 0;}
```

Лирие сака да провери дали бројот 8 е парен број. Таа во нејзината програма ги напишала следниве наредби `x=8%2; cout<<x;`. Како Лирие треба да ја декларира променливата `x`?

Опреди што ќе се прикаже со извршување на следниот програмски сегмент.

```
#include <iostream> #define n=10 using namespace std; int main () { int a[n]={1, 3, 6, 10, 15, 21, 28, 36, 45, 55};int i, suma=0; for (i=0; i<n; i++) { if (a[i] % 3 == 0) suma+=a[i]; } cout<<suma<<endl; return 0; }
```

5. Информатика - Општо образование

Прашање

Според кои критериуми се подредени податоците во табелата прикажана на сликата?

Тромесечје	Град	Производ	Промет
1	Битола	Принтери	38.064,00
1	Битола	Скенери	47.502,00
1	Битола	Компјутер	94.420,00
1	Куманово	Компјутер	2.155,00
1	Куманово	Принтери	31.619,00
1	Куманово	Скенери	77.758,00
1	Скопје	Принтери	2.641,00
1	Скопје	Компјутер	12.405,00
1	Скопје	Скенери	47.191,00
1	Струмица	Компјутер	11.590,00
1	Струмица	Принтери	18.049,00
1	Струмица	Скенери	34.392,00

5. Информатика - Општо образование

Прашање

Со зададениот критериум во прашалникот ќе се прикажат податоци за личности:

Field:	Име	Презиме		
Table:				
Sort:				
Show:	<input type="checkbox"/>	<input type="checkbox"/>	<input type="checkbox"/>	<input type="checkbox"/>
Criteria:				
or:	"xxxxxxx"	"yyyyyy"		

Во прашалникот на сликата, креиран од табелата Ucenici нема да биде прикажано полето:

Field	Ime	Prezime	EMBR	
Alias				
Table	Ucenici	Ucenici	Ucenici	
Sort				
Visible	<input checked="" type="checkbox"/>	<input checked="" type="checkbox"/>	<input checked="" type="checkbox"/>	<input type="checkbox"/>
Function				
Criterion				
Or				

Еднозначно дефинирање на податоци во табела на база на податоци се прави со поставување:

5. Информатика - Општо образование

Прашање

Што од наведеното е валиден тип на податок во база на податоци?

За што служат прашалниците?

Кој е првиот чекор при поврзување на две табели во база на податоци?

Во едно поле во база на податоци запишан е изразот „#30/06/2009#<=30/05/2013+30“. Што ќе се изврши врз податоците во табелата?

Употребата на тагот </HTML> при пишување со HTML јазик означува:

Доколку меѓу таговите <BODY></BODY> се вметне текст тој ќе претставува:

Опреди во колку реда ќе се прикаже текстот со кириличните букви со извршување на наведениот сегмент од HTML јазик.

```
<html>
<body>
<p>Ова е<br>моето<br>средно<br>училиште</p>
</body> </html>
```

Кои тагови треба да ги содржи HTML код доколку е потребно да се прикажува задебелен и закосен текст?

5. Информатика - Општо образование

Прашање

Опреди кој израз од HTML јазикот ќе ја порамни содржината во ќелија од табелата на десната страна.

Опреди што ќе се прикаже на веб-страницата со користење на наведените тагови во HTML јазик.

```
<html>
<body>
<h4>Мени:</h4>
<table>
  <tr>
    <td>Кафе</td>
    <td>Чаж</td>
    <td>Млеко</td>
  </tr>
</table>
</body>
</html>
```

Што е потребно да имаме за да креиреме HTML документ?

Со декларацијата `int arr [7]`, се креира низа од:

Каков вид податоци може да се дефинираат со променливата од типот `char` во програмскиот јазик C++?

5. Информатика - Општо образование

Прашање

Со употребата на операторот ++ во израз на програмскиот јазик C++ ќе се изврши операцијата:

Која операција ќе се изврши прва во изразот $k*a*(x+y)/b$ со програмскиот јазик C++?

Определи која вредност ќе ја има променливата n по извршување на следниот програмски сегмент. $a = -5; b = 5; n = (a == b) || (a < b) \&\& (a > b);$

Ако буквата 'A' во ASCII код има реден број 65, кој реден број го има буквата 'C'?

Со каков тип променлива треба да се декларира x, ако сакаме да му доделиме вредност 3,5?

Во програмата C++ декларирана е логичка променлива t, знаковна променлива r и целобројна променлива s. Која наредба е правилно зададена?

Определи која вредност ќе ја има променливата t по извршување на следниов дел од програма: $a = 8; b = -8; t = (a > b) \&\& (b < a);$

Кога ќе престане да се извршува програмски код во кој е употребена наредбата while (x<100)?

Определи колкава е вредноста на целобројната променлива a по извршување на следнава наредба: $a = 48 / 6 \% 2 + 13 \% 5;$

5. Информатика - Општо образование

Прашање

Одговори што ќе се прикаже со извршување на следниов дел од програмата:
`x = 10; y = 10; if (x + y > 0) cout<<x - y; else cout<<x + y;`

Одговори што ќе се прикаже со извршување на следниот програмски код.
`int x =100;while (x <=100){x = x +100;}cout<< x;`

Мила сака да најде решение на равенка според формулата $X = \frac{4(a+b)}{5a-b}$. Како Мила треба да ја запише формулата во програмскиот јазик C++?

Растерската слика се состои од точки кои се нарекуваат:

Кој од наведените модели на бои ги користи четирите основни бои: виолетова, жолта, црна и сина?

Во библиотеката на симболи која е преддефинирана во програма за анимации може да се зачуваат:

Со намалување на димензиите на сликата нејзиниот квалитет ќе:

Што претставува примарен клуч во една база на податоци?

Како се нарекува колекција од повеќе поврзани табели?

5. Информатика - Општо образование

Прашање

Колку примарни клуча може да се дефинираат во една табела?

Што од наведеното НЕ се вбројува во објекти на база на податоци?

Што е предмет на обработка во бази на податоци?

Која е намената на извештаите во база на податоци?

Со кој тастер се брише запис кој сеуште не е зачуван во база на податоци?

Кои задачи се изведуваат со бази на податоци?

Од што зависи големината на база на податоци?

Зошто е поволно да се одбере оптимална големина на поле во бази на податоци?

Со користење на примарен клуч се избегнува:

Во една компанија има двајца вработени со исто име и презиме. Во базата со податоци тие ќе се разликуваат според:

Релации се користат за:

5. Информатика - Општо образование

Прашање

Опреди како објект е прикажан на сликата?

The screenshot shows a software interface for editing a question. The interface includes a menu bar (File, Edit, View, Insert, Format, Records, Tools, Window, Help) and a search bar. The main area contains several fields for question metadata and content:

- ID: 01
- Created: 31 Dec 47
- Revised: 22 Jan 2547
- Subject: 5.2.2.1
- Topic: 1. Septic arthritis
- Type: One best response
- Taxonomy: 2. Application of knowledge
- Nature of Question: IV. Applying principles of management (B) IV.
- Core level: 1. Basic
- Answer: E
- AI: 0.5
- Positive: Negative:
- Key word: Ankle Fracture ; ORIF with screw
- Remark:

The question text is:

1. A 20-year-old man sustained motorcycle accident. He had pain at his right ankle. The x-ray showed fracture of the medial malleolus with 3-mm displacement and 5-mm widening of the medial clear space. What is the most appropriate treatment?

The answer options are:

- A. Jones' s splint
- B. Short leg cast
- C. Skeletal traction
- D. External fixator

За како вид на база на податоци станува збор кога табелите од кои е составена се поврзани?

Опреди на кој начин ќе се обезбеди селектирање на цените поголеми од 2500 денари во база на податоци?

Со кои три податоци може да се дефинира својството на полето?

5. Информатика - Општо образование

Прашање

Каков објект треба да користиме ако сакаме податоците во база на податоци да ги внесеме автоматски?

Кој изглед треба да го користиме ако сакаме да ги менуваме податоците во база на податоци?

Што претставува сортирање на податоци?

Какви податоци може да содржи релациона база на податоци?

Ако полето содржи податок за година на раѓање каков вид на примарен клуч треба да се одбере?

Која е предноста при користење на форма во однос на другите објекти во бази на податоци?

5. Информатика - Општо образование

Прашање

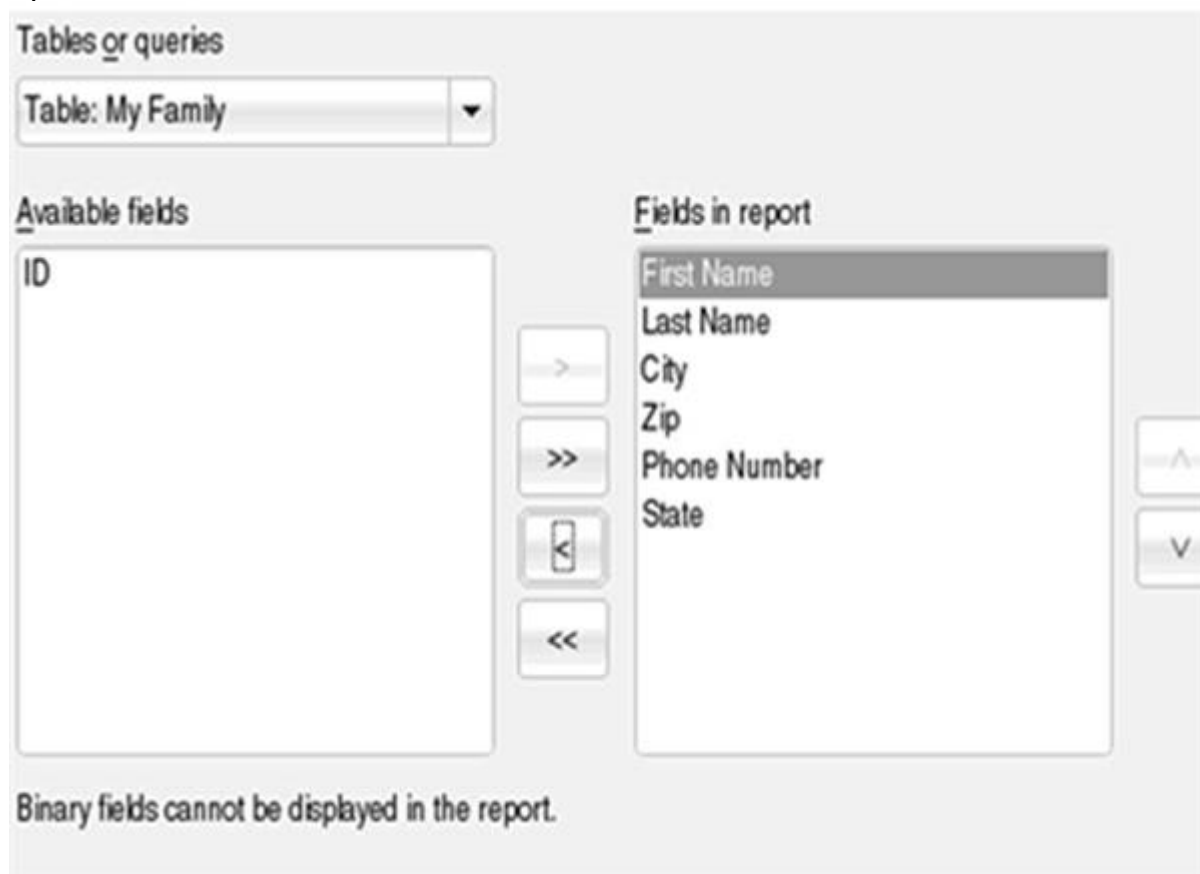
Опреди што ќе се прикаже како резултат од пребарувањето според задениот критериум.

Field:	FaxNumber
Table:	Contacts
Sort:	
Show:	<input checked="" type="checkbox"/>
Criteria:	""
or:	

5. Информатика - Општо образование

Прашање

Опреди што ќе се креира во база на податоци според состојбата на прикажаната слика.



The screenshot shows a software interface for designing a report. At the top, there is a dropdown menu labeled "Tables or queries" with "Table: My Family" selected. Below this, there are two main panels: "Available fields" on the left and "Fields in report" on the right. The "Available fields" panel contains a list with "ID". The "Fields in report" panel contains a list with "First Name", "Last Name", "City", "Zip", "Phone Number", and "State". Between the two panels are four buttons: a single right arrow (>), a double right arrow (>>), a single left arrow (<), and a double left arrow (<<). To the right of the "Fields in report" panel are two vertical arrow buttons (up and down). At the bottom of the interface, there is a text label: "Binary fields cannot be displayed in the report."

Амир треба да прикаже табела со голем број на податоци во која треба да се содржани само одредени податоци. Која постапка треба да ја изврши Амир за да ја добие табелата?

Во програмите за компјутерска графика со користење на копчето Shift и некоја од алатките за цртање:

5. Информатика - Општо образование

Прашање

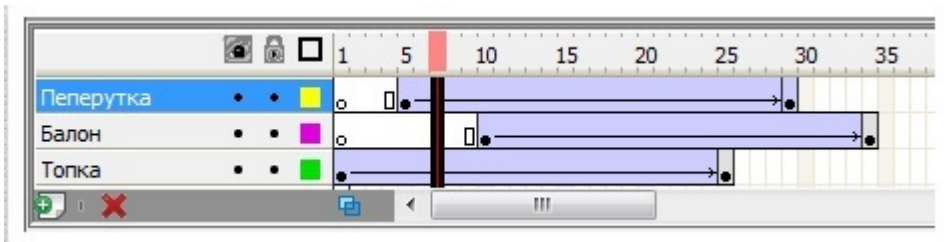
Кои филмови ќе се прикажат во прашалникот ако се поставени параметри како на прикажаната слика?

Field:	Наслов	Времетраење	
Table:	Филмови	Филмови	
Sort:			
Show:	<input checked="" type="checkbox"/>	<input checked="" type="checkbox"/>	<input type="checkbox"/>
Criteria:		> =100	
or:			

5. Информатика - Општо образование

Прашање

Кои објекти се видливи во означениот кадар креиран во програма за компјутерска графика?



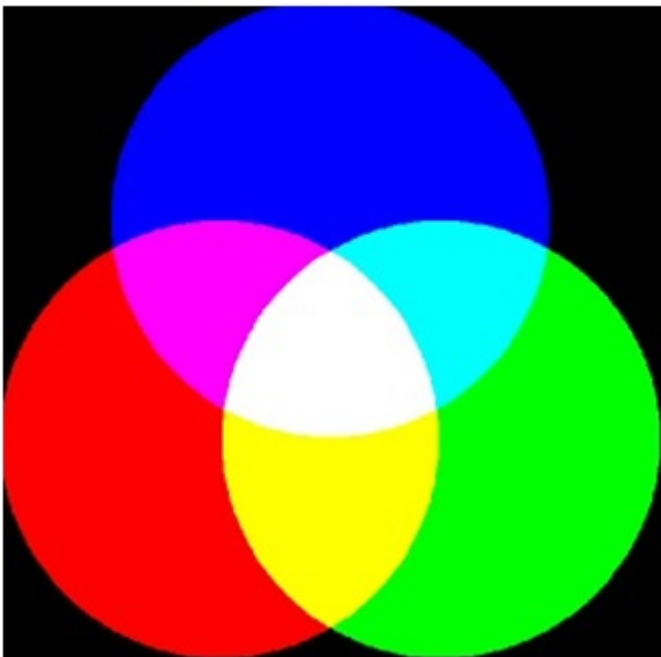
Со кои постапки е нацртано облачето?



5. Информатика - Општо образование

Прашање

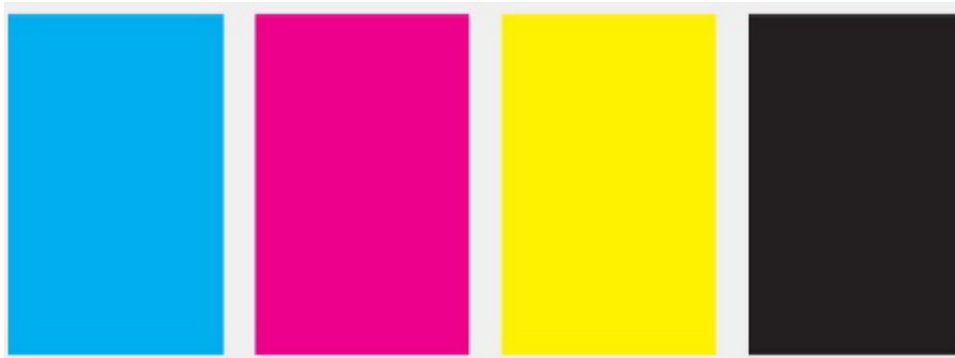
Која палета на бои е прикажана на сликата?



5. Информатика - Општо образование

Прашање

Која палета на бои е прикажана на сликата?

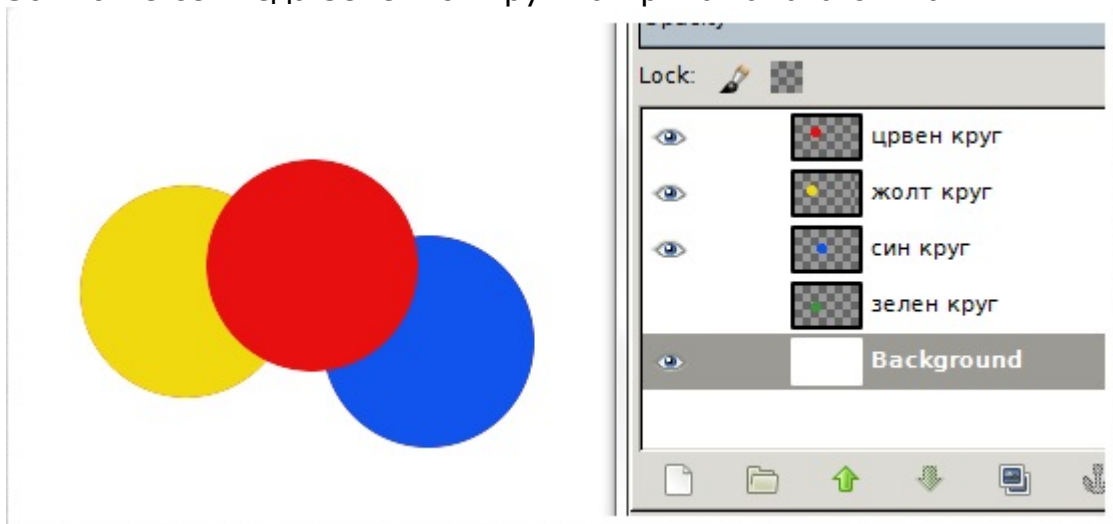


Што содржи еден кадар во сложена анимација?

5. Информатика - Општо образование

Прашање

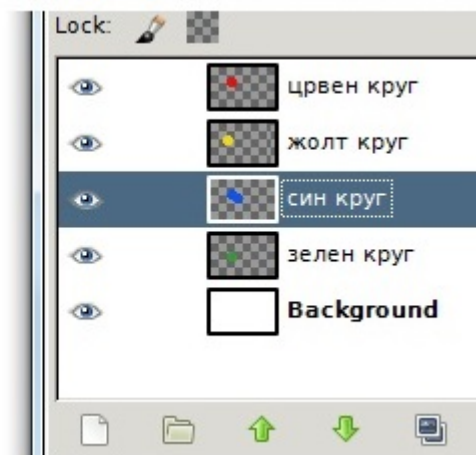
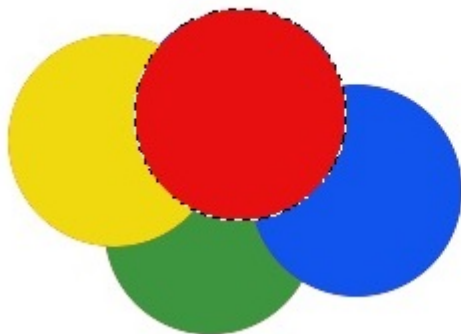
Зошто не се гледа зелениот круг на прикажаната слика?



5. Информатика - Општо образование

Прашање

Ана го селектирала црвениот круг и сака да ја смени бојата, но не успева. Каде греши Ана?



Претворањето на податоците од еден формат во друг се вика:

Форматот на документот може да се определи од неговата:

Еден документ е креиран на растерска графика. Што е потребно да се употреби за да претстави на векторски начин?

На часот по ликовно Ана нацртала етикета за ЦД. Сака да и додаде специјални ефекти со програма за компјутерска графика. Како ќе го префрли цртежот во компјутер?

5. Информатика - Општо образование

Прашање

Определи кои софтверски програми НЕ може да се користат за компјутерска графика.

Како се препознава селектиран дел од слика?

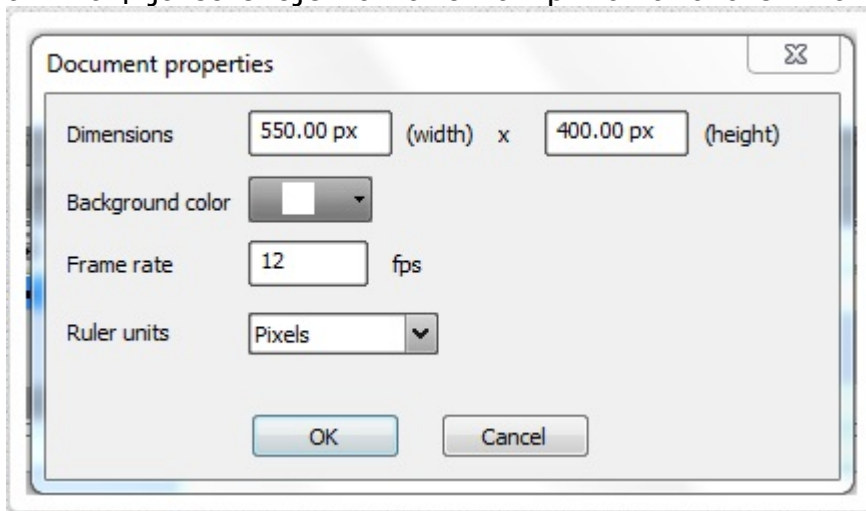
Елена сака да ги отстрани скијачите од сликата, без да ја оштети сликата. Со која алатка тоа може да го направи?



5. Информатика - Општо образование

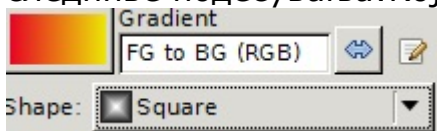
Прашање

Топката е поставена во кадрите 1 и 24. За колку секунди ќе заврши анимација со својства како на прикажаната слика?



Јанко снимил фотографија со дигитална камера и ја зачувал на хард дискот. Што треба Јанко да направи со фотографијата пред да ја постави на Интернет за таа побргу да се вчитува?

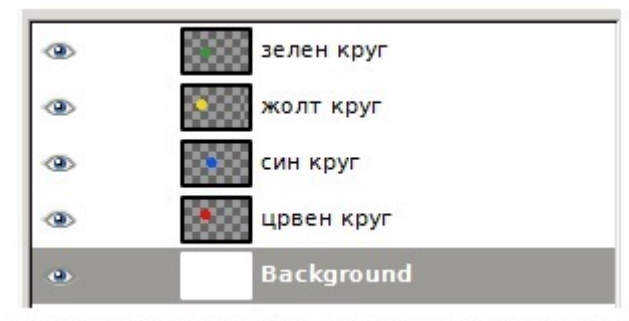
Во графичката програма, на селекција на круг применета е алатката Blend со следниве подесувања: Која од дадените слики е резултат на овие постапки?



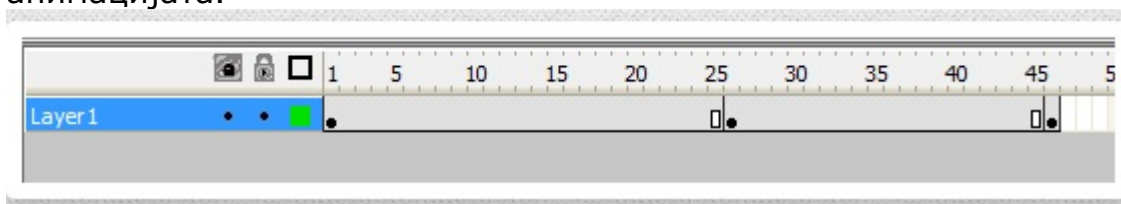
5. Информатика - Општо образование

Прашање

Определи по кој редослед ќе бидат прикажани круговите според состојбата на панелот за слоеви.



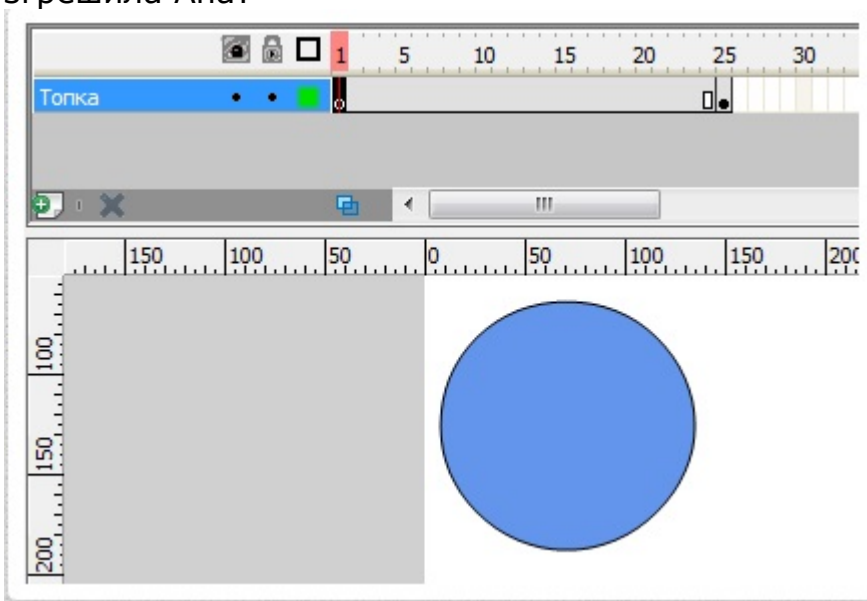
Според состојбата прикажана на сликата одговори кои кадри се клучни за анимацијата.



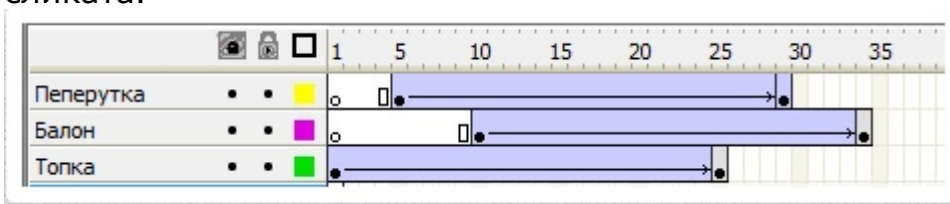
5. Информатика - Општо образование

Прашање

Ана сакала топката да се движи постапно од една до друга позиција, но кога ја активирала анимацијата топката „скокнала“ во другата позиција. Каде згрешила Ана?



Кој објект ќе се прикаже прв во анимацијата со поставени параметри како на сликата.



Кратенката HTML значи:

5. Информатика - Општо образование

Прашање

Што се изработува со HTML јазикот?

Помеѓу кои од следните знаци се пишуваат HTML таговите?

Кој од наведените атрибути се користи за фонт на букви во HTML јазикот?

Во кој случај нема да се прикаже сликата во HTML код?

Опреди со кој HTML таг ќе се порамни содржината во ќелија на табела?

Што е потребно да имаме за да се изврши HTML кодот?

Со кој од следните тагови ќе се креира подредена листа?

Со кој од следните програмски сегменти ќе се креира неподредена листа?

Со кој од наведените HTML тагови ќе се потенцира текст?

Како ќе биде прикажан текстот по извршување на следниот програмски сегмент?
<p>портакал,
јаболко,
банана,
праска</p>

Кој атрибут се користи за промена на големината на слика во HTML јазикот?

Кои елементи ќе ги содржи веб-страницата со користење на следните тагови?
<body bgcolor="yellow" text="black" vlink="green" alink="red"><p>text</p>
</body>

5. Информатика - Општо образование

Прашање

Што ќе се испише на веб-страницата со користење на следниот HTML таг?<!--
-Органско потекло -->

Со кој од наведените тагови ќе се користи надворешна CSS датотека?

Опредиeli кој од наведените тагови се користи за поставување на хиперлинк на веб-страница до веб-страницата на yahoo.com.

Доколку е потребно во HTML документот да се постави слика која ќе биде врска до google.com пишуваме:

Опредиeli кој од следните сегменти се користи за креирање на табела со четири реда и три колони?

```
<html> <head> <title>Додавање табела</title> </head> <body> <table border="1" width="100%">
  <tr> <td>1</td> </tr>
  <tr> <td>2</td> </tr>
  <tr> <td>3</td> </tr>
</table> </body> </html>
```

Каква табела ќе се додаде со прикажаниот HTML код ?

Опредиeli какво текст ќе се испише по извршување на следниот HTML код?
HTML е едноставен програмски јазик.

Што од наведеното се користи за пристап до елемент во низа?

5. Информатика - Општо образование

Прашање

Која вредност ја има вториот елемент во прикажаната низа?`niza[5]={5, 3, 4, 2, 7};`

Колкава е должина на следнава низа: `int bytedata[]={12, 34, 9, 0, -62, 88};?`

Со кој од следните изрази се декларира низа со име `img` од типот `int`?

Која вредност ќе се отпечати по извршување на следните наредби ако целобројната променлива `n` има вредност 25?`if (round(sqrt(n)) == sqrt(n)) cout<<sqrt(n);elsecout<<n;`

Кој број на индекс има последниот елемент во низа со 29 елементи?

Определи која од наведените низи е правилен начин за иницијализирање на вредности во низа?

Колку изнесува вредноста на логичкиот израз `NOTA OR NOTB AND NOTC`Сако е зададено дека `A = вистина, B = вистина, C = вистина.`

Определи кој резултат ќе се прикаже на екранот по извршување на следниот програмски сегмент.`x = 3;y = -2;if (2*x + 3*y>0)cout<< (3 * x - 4 * y)else cout<<(4 * x + 3 * y);`

5. Информатика - Општо образование

Прашање

Ако некој израз има облик тогаш наредбата за пресметување на променливата x во програмскиот јазик C++ ќе биде претставена со исказот:

$$x = \frac{\sqrt{a^2 - b^2}}{ab}$$

Даден е математичкиот израз: $z = x^2 - y^2$ Која форма ќе ја има овој израз запишан во програмскиот јазик C++?

Опреди кои вредности ќе ги добијат променливите a и b по извршување на следниот програмски сегмент.
`int main() { int a=2,b=3; if ((a==2) || (b++==4)) cout<<"success"; return 0; }`

Што ќе се прикаже со следниот програмски сегмент?
`int niza[];niza[0]=7; niza[1]=3;niza[2]=niza[0]+niza[1];cout<<niza[0]<<" "<<niza[1] <<" "<<niza[2];`

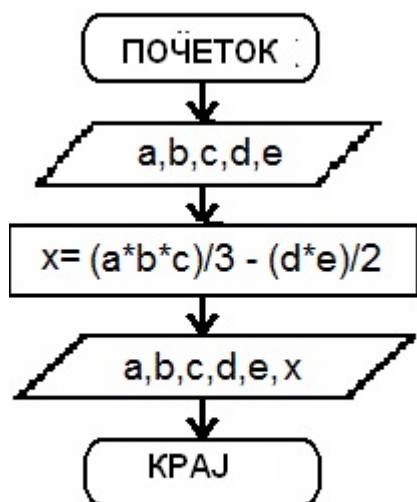
Кои вредности ги имаат индексите за низата $niza$, дадена со следната декларација?
`int niza[]={2, 4, 6, 8};`

Која вредност ќе ја добие променливата t по извршување на следниот програмски сегмент?
`t = 0;for(int i = 1;i<=4;i++){for (int j=1;j<=i; j++) { t=t+2*i; } }`

5. Информатика - Општо образование

Прашање

Што ќе се прикаже на екранот врз основа на прикажаната програмска шема?



Што ќе се прикаже на екранот по извршување на следниот програмски сегмент?
`int main(){ int a=10; { a=20; { a=30; cout<<a; } cout<<a;} cout<<a;}`

Што ќе се прикаже на екранот по извршување на следниот програмски сегмент доколку се зададени следните вредности на променливите $a = 30$, $b = 30$ и $c = 30$?
`{int a, b, c; cin>> a, b, c; if ((a < b) && (a < c)) cout<< "Охрид"; else if (b <= c) cout<<"Дебар"; else cout<<"Маврово" }`

Опреди во кој од наведените алгоритми променливата x ќе ја достигне својата десеткратна вредност и ќе ја зголеми за еден.

5. Информатика - Општо образование

Прашање

Кој од следните изрази ќе пристапи до седмиот елемент зачуван во низата niza која содржи 100 елементи?

Што ќе се прикаже со следниов програмски сегмент?
`int niza[]={2, 4, 6, 8};
cout<<niza[0]<< " "<<niza[1];`

Определи што ќе се прикаже на екранот по извршување на следниот програмски сегмент.
`int a=5; int b=3; if(a>b) { cout<<a+b<<endl;
cout<<a-b<<endl;} else { cout<<a/b<<endl;
cout<<a%b<<endl; }`

Што се пресметува со следниот програмски сегмент?
`i=2; while (i < 11) {
s=s+a[i]; i=i+2;}`

Кое име ќе се прикаже на екранот по извршување на следниот програмски сегмент?
`int a=2; switch (a) { case 0: cout <<"Ana"; break; case 1:
cout <<"Jana"; break; case 2: cout <<"Petar"; break;
case 3: cout <<"Andrej"; break; default: cout << "No name"; }`

Што е излез на следниот програмски сегмент?
`dolzina=10;int niza[] = {2, 4, 6,
8, 10, 1, 3, 5, 7, 9 };for (int i=0; i < dolzina; i++)cout<<niza[i]<<" ";`

5. Информатика - Општо образование

Прашање

Кој од наведените програмски сегменти ќе го прикаже најголемиот број од низа броеви?

Што ќе се прикаже со извршување на следниот програмски сегмент?
`int niza[]={2, 4, 6, 8};niza[0]=23;niza[3]=niza[1];cout<<niza[0]<< " "<<niza[3];`

Што ќе се прикаже по извршување на следниот програмски сегмент?
`int niza[] = {2, 4, 6, 8, 10, 1, 3, 5, 7, 9 };for (int i=0; i<5; i++)cout<<niza[i]<<" ";`

Што ќе се пресмета по извршување на следниот програмски сегмент?
`#include <iostream>using namespace std;int main(){int s=0,br=0,n;double as; cout<<"бројот ";cin>>n;for(int i=1;i<=n;i+=2){++br;s+=i;}as=s/br;}`

Што ќе се изврши со активирање на следниот програмски сегмент?
`#include<iostream>using namespace std;int main(){int i,n;float x[20],s=0,p=1,as;cout<<"Внеси број на членови: ";cin>>n;for(i=1;i<=n;i++){cout<<i<<".broj: ";cin>>x[i];s=s+x[i];}as=s/n;for(i=1;i<=n;i++){if (x[i]>as)p=p*x[i];}return 0;}`

Опреди што ќе се прикаже со извршување на следниот програмски сегмент.
`#include<iostream>using namespace std;int main(){int X[20],i,n; cout<<"Внеси број на членови на низа: ";cin>>n;for(i=1;i<=n;i++){ cout<<i<<"член: ";cin>>X[i];}cout<<"Членови кои се поголеми од следниот член: ";for(i=1;i<=n-1;i++){if (X[i]>X[i+1])cout<<X[i]<<" "};return 0;}`

6. Историја на Македонија - Општо образование

Прашање

Од кога потекнуваат првите траги од животот на луѓето во Македонија?

Кој се смета за прв крал на Античка Македонија?

Пела станала престолнина во времето на кралот:

Кога се случила битката кај Херонеја?

Од колку редови се состоела македонската фаланга?

Кога владеел кралот Александар III Македонски?

Кој бил врховен бог на Античките Македонци?

Која година Македонија станала Римска провинција?

6. Историја на Македонија - Општо образование

Прашање

Кога почнале да се доселуваат Словените во Македонија?

Македонските териториите населени со Словени биле наречени:

Во кој век потпаднале под византиска власт македонските склавинии?

Браќата Кирил и Методиј биле родени во:

Глаголицата имала:

Која година бил испратен Климент на мисионерска работа во областа Кутмичевица од страна на кнезот Борис?

Во кој град Климент формирал книжевна школа?

Каде настанало богомилското движење?

Каде била првата престолнина на царот Самоил?

Царот Самоил владеел од:

6. Историја на Македонија - Општо образование

Прашање

Која година било кренато востанието на чело со Петар Делјан против византиската власт?

Битката на реката Марица се одиграла на:

Која година се случила Мариовско-прилепската буна против османлиската власт?

Колку години траел отпорот на Скендер-бег против османлиската власт?

Австро-унгарскиот цар Леополд кога слушнал за востанието го прогласил Карпош за:

Кога била укината Охридската архиепископија?

Како го нарекувале водачот на ајдутите?

Кога се собирале ајдутските дружини?

Како се нарекувал владетелот на османлиската држава?

Одземените христијански деца кои станувале дел од османлиската армија биле нарекувани:

Кој ја отворил првата македонска печатница во Солун во 1838 година?

6. Историја на Македонија - Општо образование

Прашање

Кога започнало Разловечкото востание?

Кога започнало македонското Кресненско востание?

Кој бил избран за началник на Штабот на Кресненското востание?

Кој го предводел движењето за обнова на Охридската архиепископија на крајот на XIX век?

Каде била создадена Македонската револуционерна организација?

Кој бил главен иницијатор за формирање на Македонската револуционерна организација?

Кога се одржал Првиот конгрес на Македонската револуционерна организација?

Кој станал најпозната личност на Македонската револуционерна организација?

Каков документ бил изготвен за Македонската револуционерна организација набрзо по нејзиното основање?

Која држава најмногу се мешала во македонската револуционерна борба преку Врховниот македонски комитет?

6. Историја на Македонија - Општо образование

Прашање

Кој бил „претседател“ на Крушевската република?

Каде започнала Младотурската револуција?

Кој револуционер загинал на Мечкин Камен бранејќи ја Крушевската република?

Каде се одржал конгресот на кој организацијата го добила името ВМОРО (Внатрешна македоно одринска револуционерна организација)?

Кој македонски револуционер со својата чета организирале грабнување на американската мисионерка „Мис Елен Стоун“?

Кога започнала Првата балканска војна?

Во кој град имало мировна конференција по Првата балканска војна?

Кога бил склучен Букурешкиот мировен договор по Втората балканска војна?

Во чии војски биле мобилизирани Македонците во текот на Првата светска војна?

6. Историја на Македонија - Општо образование

Прашање

Во рамките на која земја влегол вардарскиот дел на Македонија по Првата светска војна?

Кој ја предводел македонската колонија во Петроград која се залагала за независна и обединета Македонија во една Балканска Федеративна Демократска Република?

Кога ја отпечатил збирката на македонски јазик „Бели мугри“ поетот Кочо Рацин?

Кога бил објавен Мајскиот манифест за обединување на „левите“ и „десните“ сили на ВМРО?

Кога бил убиен Тодор Александров?

Кога бил создаден Македонскиот литературен кружок во Софија?

Која година во Грција бил отпечатен македонскиот буквар „АБЕЦЕДАР“?

Кога започнало вооруженото востание во Македонија во Втората светска војна?

6. Историја на Македонија - Општо образование

Прашање

Кога бил формиран првиот баталјон Мирче Ацев како поголема воена единица во Вардарска Македонија?

Кој го отворил Првото заседание на АСНОМ во манастирот Прохор Пчински?

Кој бил избран за прв претседател на Президиумот на Првото заседание на АСНОМ?

Кога се одржал референдумот за осамостојување на Република Македонија од Социјалистичка Федеративна Република Југославија?

Златна маска со која биле погребувани мртвите од кралските семејства е најдена во Микена и во:

На кој начин Филип II успеал да загосподари со целиот хеленски свет?

Какви биле односите помеѓу Филип II и Хелените по битката кај Хајронеја во 338 г. ?

Како се однесувал Александар III кон потчинетите народи ?

6. Историја на Македонија - Општо образование

Прашање

Како била поделена Македонија по римските освојувања?

Што се случило со поголем дел од староседелското население во Македонија со доаѓањето на Словените?

Зошто Македонија се смета за татковина на словенската писменост и култура?

Кој манастир станал средиште на Охридската книжевна школа?

Што е основа на богомилското учење?

На кој начин била организирана македонската држава во времето на царот Самоил?

Зошто легендарниот крал Марко прифатил вазален однос кон османлиската држава?

Како доаѓале до имоти спахиите во османлиската држава?

6. Историја на Македонија - Општо образование

Прашање

Кои две познати жени војвотки учествувале во вооружениот отпор против османлиската власт во Македонија?

Зошто бил значаен отпорот на Ѓерѓ Кастриот-Скендербег?

Зошто била укината Охридската архиепископија во 1767 година?

Зошто доаѓа до развој на занаетството и трговијата во македонските градови на крајот на XVIII век?

Зошто за време на преродбата се печателе учебници и се отворале училишта на народен македонски јазик?

Зошто Македонците учествувале во востанијата на соседните народи против османлиската власт?

6. Историја на Македонија - Општо образование

Прашање

Што било предвидено со Берлинскиот договор по руско-турската војна 1877-1878 година?

Зошто Разловечкото востание не успеало?

По успешниот тек на Кресненското востание востаниците организирале:

За наметнување на своето политичко, духовно и културно влијание во Македонија во XIX век делувале пропагандите на:

Кој можел да членува во македонската револуционерна организација?

Што сакала да постигне со испраќањето на меморандум македонската колонија во Петроград до Лондонската мировна конференција?

6. Историја на Македонија - Општо образование

Прашање

Што се случувало со Македонија по Првата светска војна?

Каква била положбата на Македонците во Кралството СХС, Грција и Бугарија помеѓу двете светски војни?

Каква била положбата на Македонците во Бугарија меѓу двете светски војни?

Што направила Грција за менување на етничкиот состав на населението во егејскиот дел на Македонија меѓу двете светски војни?

Кои цели биле изнесени во Манифестот објавен од ГШ на НОВ и Партизанските одреди на Македонија во октомври 1943 година?

На кој начин било прогласено создавањето на македонска држава по Втората светска војна?

6. Историја на Македонија - Општо образование

Прашање

Која замисла започнал да ја остварува Александар III при освојувањето на земји и територии?

Зошто се распаднала државата на Александар III Македонски по неговата смрт?

Зошто се појавило богомилското движење?

До кој град најсеверно во Далмација стигнал при освојувањата Самоил?

6. Историја на Македонија - Општо образование

Прашање

Каква била положбата на Охридската архиепископија во Османската Империја во однос на плаќањето на даноците?

Зошто биле организирани вооружените и невооружените отпори во Македонија?

Како била организирана власта во Крушевската република?

Што се случило со ВМРО по Рилскиот конгрес одржан во октомври 1905 година?

Кои основни човекови права со декларацијата усвоена на Првото заседание на АСНОМ на граѓаните на Македонија им биле гарантирани?

Какви политички промени се случиле во Македонија од нејзиното осамостојување?

6. Историја на Македонија - Општо образование

Прашање

Кога владеел кралот Пердика I?

Македонскиот крал Аминта I извесно време морал да ја признава власта на:

Во битката кај Хајронеја Филип ги победил:

Мајката на Александар Македонски се викала:

Западно од Солун се населило словенското племе:

Во кое место бил царскиот двор на Самоил во Преспа?

Јован Владислав бил син на:

Која година започнало востанието на Ѓорѓи Војтех?

Која година започнало Карпошевото востание?

Која година граѓаните на Охрид испратиле колективна молба до Цариградската патријаршија да биде сменет грчкиот митрополит Мелетиј?

Која година била формирана Македонската револуционерна организација?

6. Историја на Македонија - Општо образование

Прашање

На основачкиот состанок на чело на Централниот комитет на Македонската револуционерна организација бил избран:

Гоце Делчев се родил во:

Јане Сандански бил убиен на:

Стихозбирката „Бели мугри“ Кочо Рацин ја отпечатил во:

Која година грчката држава со закон ги променила топонимите во егејскиот дел на Македонија?

На Првото заседание на АСНОМ учествувале:

Првиот Устав на Народна Република Македонија бил донесен во:

На кој начин Филип II постигнал успеси во зацврстувањето на државата?

Зошто е важно постоењето на Охридската книжевна школа?

На кој начин се засилил отпорот на населението во Македонија против византиското власт во XI век?

6. Историја на Македонија - Општо образование

Прашање

Кое население покрај албанското учествувало во востанието на Скендер-бег од 1443 година?

Зошто било големо значењето на првите црковно-училишни оштини?

Зошто Гоце Делчев не се согласувал со одлука за кревање на востание?

Што се случило со Македонците во Грција по Првата светска војна?

На почетокот на октомври 1941 година биле формирани партизански одреди во:

Која била основната економска реформа во Република Македонија по осамостојувањето?

Зошто дошло до влошување на односите меѓу Македонија и Рим во времето на Филип V?

6. Историја на Македонија - Општо образование

Прашање

Каква била улогата на околинските револуционерни чети формирани од ТМОРО?

Каква била положбата на Македонците во егејскиот дел на Македонија во периодот на дикатурата на Јоанис Метаксас?

Преродбата во Македонија започнала со дејноста на:

Во периодот од 1941 до 1944 год. во градот Скопје биле стационирани војските на:

Пролетта 1916 год. бил отворен Македонскиот фронт откако на страната на Централните сили се приклучила:

Која година се одиграла битка на Беласица?

Најголем противник на царот Самуил бил византискиот владетел:

6. Историја на Македонија - Општо образование

Прашање

Кога се одржани првите парламентарни избори во Република Македонија?

За претседател на Привремената влада на Крушевската Република бил назначен:

Што се случило по смртта на Кирил и Методиј со нивните ученици кои биле во Велика Моравија?

Брзиот пораз на Карпошевото востание настанал поради:

Организатор и идеен водач на Разловечкото востание бил:

По битката кај Херонеја Филип II свикал конгрес во:

Првиот устав на самостојна и независна Република Македонија го донело Собранието на Република Македонија на:

6. Историја на Македонија - Општо образование

Прашање

Незадоволството од решенијата на Берлинскиот конгрес било една од причините во Македонија да се организира востание познато како:

Во времето на кралот Архелај престолнина на државата станал градот:

Првиот Конгрес на МРО бил одржан во:

Кнезот Борис го испратил Климент во Кутмичевица:

Што значи поимот *склавинии*?

Главното светилиште на античките Македонци се наоѓало во:

Најголем противник на македонскиот крал Филип II бил водачот на демократите во Атина:

6. Историја на Македонија - Општо образование

Прашање

Група македонски интелектуалци кои ги организирале солунските атентати познати се под името:

Мировниот договор потпишан со Римјаните по поразот кај Киноскефале му овозможил на македонскиот крал Филип V:

Првата победа во борбата со персиската војска Александар III ја извојувал кај:

Која од хеленските држави не учествувала на Општохеленскиот конгрес во Коринт свикан од страна на Филип II?

Последниот македонски крал кој бил поразен од Римјаните во битката кај Пидна бил:

6. Историја на Македонија - Општо образование

Прашање

По доселувањето во Македонија словенските племиња неуспешно се обидувале да го освојат градот:

Распаѓањето на Македонската држава по смртта на Александар III било предизвикано поради:

Првата балканска војна завршила со мирот потпишан во:

Дејноста на Кирил и Методиј има општословенско значење затоа што:

Филип II ја вовел монетата:

Кога владеел македонскиот крал Архелај I?

6. Историја на Македонија - Општо образование

Прашање

Во востанието организирано од Ѓорѓи Војтех за цар бил прогласен:

Што му предале египетските свештеници на Александар III при влезот во Мемфис?

По барање на кнезот Ростислав, браќата Кирил и Методиј заминале на мисија во:

Која била целта на востанието на Ѓорѓи Војтех?

Филип II ја покорила Атина по битката кај:

По наредба на генералот Пиколомини австриската војска го запалила градот:

6. Историја на Македонија - Општо образование

Прашање

Кој биле причините за Првата римско-македонска војна?

Поради што била организирана Прилепско-мариовската буна?

По освојувањето на Египет, Александар III Македонски изградил:

Еден од главните постулати на богомилското дуалистичко учење бил:

Првиот устав на Македонската револуционерна организација го изработил:

Против што биле богомилите во своето делување?

6. Историја на Македонија - Општо образование

Прашање

Приврзаниците на младотурското движење се залагале за промени во османлиската држава од кои најзначајна е:

Со решенијата на Париската мировна конференција во 1919 год. за Македонија биле потврдени одредбите на договорот потпишан во:

Главниот штаб на НОВ и ПОМ го организирал февруарскиот поход со цел:

Една од причините за неуспех на Кресненското и Илинденското востание била:

Заедничка карактеристика на Првата и Втората балканска војна е тоа што:

Првата словенска азбука создадена од браќата Кирил и Методиј е позната како:

Првата мисија на Кирил и Методиј е позната под името:

6. Историја на Македонија - Општо образование

Прашање

По смртта на Самуил македонски цар станал неговиот син:

Со терминот *тимар* се означува:

Првата поголема буна организирана во Македонија против османлиската власт е позната под името:

Што се случило со хеленските градови-држави по поразот кај Херонеја во 338 година пр.н.е.?

Која била целта на грабнувањето на мисионерката Мис Стон?

По неуспехот на Илинденското востание за надминување на проблемите во ТМОРО бил одржан конгрес во:

6. Историја на Македонија - Општо образование

Прашање

Младотурската револуција започнала со одметнувањето на Нијази-бег од гарнизонот во градот:

Привременото обединување на „левите“ и „десните“ македонски револуционерни сили било постигнато 1924 год. со потпишувањето на т.н. Мајски манифест во:

Подготовките за свикување на АСНОМ биле реализирани од:

Првиот роман на македонски јазик „Село зад седумте јасени“ го напишал писателот:

Теодосиј Синаитски дејствувал во Солун и е значаен затоа што во 1838 год.:

Најзначаен орган на цивилната власт на Крушевската Република бил:

За Македонија со решенијата донесени во Букурешт 1913 година било предвидено:

6. Историја на Македонија - Општо образование

Прашање

Со потпишувањето на Мајскиот манифест во Виена 1924 година македонските револуционерни сили:

По осамостојувањето Р. Македонија го напуштила општествениот систем познат како:

Санстефанскиот договор бил ревидиран по барање на Големите сили затоа што со неговите решенија:

Седиштето на самостојниот феудалец Добромир Хрс било во:

На Првото заседание на АСНОМ била донесена одлука во врска со македонскиот јазик, која гласи:

6. Историја на Македонија - Општо образование

Прашање

За прв македонски архиепископ и поглавар на Македонската православна црква бил избран:

Највисок орган на ТМОРО бил:

За време на кој настан бил убиен кралот Филип II Македонски?

7. Македонски јазик и литература - Стручно образование

Прашање

Воведувањето на народниот јазик во широка употреба (црквата, училиштата, литературата) во втората половина од 19 век се должи на дејноста на:

Која идеја во врска со македонското јазично прашање се нагласува кон крајот на 19 и почетокот на 20 век во Македонија?

7. Македонски јазик и литература - Стручно образование

Прашање

Автор на првата македонска граматика позната по името „Слогница речовска“, објавена во 1880 год. во Софија е учебникарот:

Кој е автор на книгата „За македонските работи“?

Најмали јазични единици со сопствено значење се:

Колку граматички категории имаат именките?

Според морфолошката класификација, кои од наведените видови зборови се менливи?

Кои именки немаат форми за множина?

Како се изразува определеноста на именките во македонскиот јазик?

Зборовите: дали, нели, ли, зарем се:

Науката што се занимава со принципите за составување разни видови речници, како и со нивното практично изработување се нарекува:

Науката што го проучува составот на зборовите на еден јазик се вика:

7. Македонски јазик и литература - Стручно образование

Прашање

Кои два вида значења ги разликуваме кај зборовите?

Зборовите кои се застарени со својата форма или со своето значење се викаат:

Извадокот: „На дрвената масичка, во широк кристален сад, се смееше едно румено, крупно, сочно јаболко“ е дел од композицијата на делото во која тој се определува како примена на постапка на:

Литературно - научен вид во кој авторот дава опис на местата што ги посетил, а зазема и личен став во врска со тоа се вика:

Литературно-научниот вид кој, во исто време, претставува и документ, и убав збор, и откривање на човековите судбини, и проникнување во социјалните драми, се вика:

Како се вика литературно-научната творба во која авторот го опишува својот живот?

Одговори што се зборовите: секако, бездруго, навистина.

Кој збор е главен реченичен член?

7. Македонски јазик и литература - Стручно образование

Прашање

Како се нарекуваат неменливите зборови што служат за истакнување или определување на други зборови, како и за образување на некои граматички форми?

Преминот од средновековната кон литературата на хуманизмот и ренесансата го означува:

Во „Божествената комедија“, Вергилиј и Беатриче ги симболизираат:

Што идеализира ренесансната литература?

Каков драмски вид е „Хамлет“?

На кој вид роман е пародија романот „Дон Кихот“?

Како се вика жената на која Франческо Петрарка ѝ ја посветил збирката „Канцониер“?

Каде се случува дејството во драмата „Хамлет“?

Кој е автор на „Божествена комедија“?

Кој лик е најтрезвен во делото „Тартиф“ од Молиер?

7. Македонски јазик и литература - Стручно образование

Прашање

На која литература припаѓа творештвото на Жан Батист Поклен Молиер?

Кое од наведените дела не му припаѓа на класицизмот како правец?

Во која земја за првпат се појавил класицизмот како правец?

Кој е авторот на првата книшка на македонски народен јазик од времето на просветителството во Македонија?

Каде се издавани книгите на Јоаким Крчовски?

Кое од наведените дела не го напишал Кирил Пејчиновиќ?

Каде е издадена книгата „Утешение грешним“ од Кирил Пејчиновиќ?

Првата печатница била отворена во Солун од:

Кој ја напишал поемата „Странствувањето на Чајлд Харолд“?

Најталентираниот македонски поет од времето на преродбата, наречен „втор Хомер“ е:

Основоположник на македонската уметничка поезија е:

Кој е автор на песните: „Голопче“, „Бисера“, „На чужина“?

7. Македонски јазик и литература - Стручно образование

Прашање

Во која година Григор Прличев добил лоров венеч за поемата „Сердарот“?

Каде и кога е издаден „Зборникот“ на Браќата Миладиновци?

Кој е автор на песната „Труд ми е името“?

Авторот на романот во стихови „Евгениј Онегин“ е:

Одреди кој македонски деец ги оформил своите ставови за македонскиот стандарден (литературен) јазик во три точки: – за основа да се земат централните говори на линијата Велес-Прилеп-Битола-Охрид; – правописот да се постави врз фонетска основа, со мали отстапки пред етимологијата; – во лексиката да се вклучат елементи од сите македонски говори.

За што се залагале лозарите во последната деценија на 19 век?

Кој македонски автор се залагал за оформување на литературен јазик врз македонско-бугарска основа и своите најголеми дела ги превел на овој своевиден словенски есперанто?

Кога и каде е издадена книгата „За македонските работи“?

Во која статија од книгата „За македонските работи“ Мисирков ги дал основните принципи врз кои би се поткрепувал македонскиот литературен јазик?

7. Македонски јазик и литература - Стручно образование

Прашање

Зборовите: темнина – мрак се:

Толковниот речник на еден јазик е:

Каква морфема е наставката?

Определи кој збор е изведен со формообразувачка морфема.

Која именка е апстрактна, во множина и е членувана?

Честички со кои се образуваат сложени глаголски форми се:

Кој збор означува точна бројност?

Формите за директен предмет од заменката тие се:

Формите за директен предмет од заменката ние се:

Зборовите: читан, пишуван, според својата глаголска форма се:

Според морфолошката класификација на зборовите, видовите зборови: именки, заменки, придавки, бројеви и глаголи се:

7. Македонски јазик и литература - Стручно образование

Прашање

Кои од наведените зборови се сврзници?

Кој глагол е несвршен?

Зборовите: солитер , печатач, конектирање се:

Зборовите: небеса, упокоение, миропомазание, трпеза, утешение се:

Определи која е целта на правописните (ортографски) речници.

Зборовите: филцан, сарма, баклава се:

Според што е направена поделбата на лексиката на разговорна, книжна и експресивна (поетска)?

Врз основа на тоа како се обработува зборовната единица, односно која е основната цел на речникот, се izdelуваат два типа речници и тоа:

Зборовите: утро - вечер се:

Биографијата и автобиографијата стојат во однос како:

7. Македонски јазик и литература - Стручно образование

Прашање

Во веста: „Вчера, во раните утрински часови, се случи тешка сообраќајна несреќа во која едно лице го изгуби својот живот“, недостасува:

Во поканата: „Ве покануваме да присуствувате на прославата организирана во чест на македонскиот револуционер Гоце Делчев, што ќе се одржи во холот на училиштето“, недостасува:

Одговори каков вид форма за изразување претставува рефератот.

Во кое дело одмаздата е централен мотив?

Ако јазикот на Санчо Панса е полн со народни поговорки, со што е полн јазикот на Дон Кихот?

Што на Хамлет му задава најголема болка?

Смешниот рицар со тажен лик Дон Кихот, од најпознатото дело на Сервантес, има човек кој е негов верен придружник и се вика:

Во кој период се случува дејството во романот „Дон Кихот“?

7. Македонски јазик и литература - Стручно образование

Прашање

Кој лирски вид е карактеристичен за структурата на делото „Канцониер“ од Петрарка?

Што критикува Молиер во комедијата „Тартиф“?

Со кои атрибути е опишан Тартиф од страна на Оргон во првиот чин од драмското дејство?

Кој лик од комедијата „Тартиф“ не е комичен?

Која способност му помогнала на Тартиф да влезе во семејството на Оргон и да се здобие со неговата доверба?

Првиот оригинален текст на македонски народен јазик во македонската литература е познат под името:

Што е основната тема во делото „Слово заради завист“ од Јоаким Крчовски?

Што критикува Кирил Пејчиновиќ во делото „Слово за празниците“?

Во предговорот кон „Утешение грешним“, особено се истакнува важноста на:

7. Македонски јазик и литература - Стручно образование

Прашање

Кои се вредностите на драмските обиди на Џинот поради кои тој се смета за основоположник на македонската драма и театар?

Првите стихови во новата македонска литература ги запишал на својата надгробна плоча:

Почетоците на македонскиот расказ ги наоѓаме во текстот „Прошедба“ од:

За кое свое дело Григор Прличев не успеал да добие лаворов венец во Атина?

Водечка фигура на македонската преродба, учител и ментор на првата генерација македонски интелектуалци, важен собирач на македонското народно творештво и предводник во борбата против грцизмот е:

Какви се песните „Таен глас“, „Глас“, „Сам себеси“ и „Велигден“ од Рајко Жинзифов според мотивското јадро?

Ликот на Марија во поемата „Сердарот“ од Григор Прличев е олицетворение на:

Како прототип за ликот на Неда, на Прличев му послужила:

Чие писмо, добиено во Екатеринската болница, го мотивирало Константин Миладинов да ја напише песната „Т` га за југ“?

7. Македонски јазик и литература - Стручно образование

Прашање

Кој од наведените претставници на романтизмот и преродбата во македонската литература не е собирач на народни умотворби?

Според мотивот, каква е песната „Сираче“ од Константин Миладинов?

Што сакал да пронајде Чајлд Харолд во непознатите далечни земји?

Која глаголска форма е во идно прекажано време?

Определи кој глагол е преоден.

Во реченицата: „Денес поетите делникот го презираат“, прилог е:

Во која реченица е употребена глаголска именка?

Која именка не разликува форми за трите вида множина?

Која придавка не може да се степенува?

Определи која именка е употребена во функција на атрибут во реченицата: „Сосетката Ана секој ден оди на фризер“.

Синтаксичката класификација на зборовни групи се однесува на:

7. Македонски јазик и литература - Стручно образование

Прашање

Која глаголска форма е во прво лице множина, минато определено свршено време?

Кој збор е прилог во реченицата: „Среќната девојка тргна надесно“?

Во која од наведените реченици предлогот в/во е неправилно употребен?

Во која од наведените реченици предлогот НА е употребен со временско значење?

Кои од наведените зборови се глаголски прилози?

Во реченицата: „Двапати мери, еднаш сечи“, со заповедните форми изразуваме:

Која сложена глаголска форма ја препознаваш во реченицата: „Марко ќе одел на одмор со новиот автомобил“?

Кој збор е предлог во реченицата: „Тие живеат на третиот кат“?

7. Македонски јазик и литература - Стручно образование

Прашање

Какви се придавките во реченицата: „Го извади сламениот шешир од главата и седна на дрвената клупа да се одмори“?

Зборовите: изгрејсонце, зајдисонце, руменило, синевина, модрина, несон припаѓаат на:

Кој збор е дијалектизам?

Одговори каков е речникот на македонскиот јазик под редакција на Блаже Конески.

Зборот адет е:

Каква лексика е употребена во реченицата: „Типот е кул“?

7. Македонски јазик и литература - Стручно образование

Прашање

Внимателно прочитај го извадокот и одговори на поставеното прашање.
„...Во XIX век во Битола имало странски конзулат и разни училишта. Битола, од стара чаршија, станувала сè повеќе европски град. Сè почесто овој град го посетувале дипломати и владејачи. Во дамнешно време, во Битола, бил крунисан царот Гаврил Радомир. Кемал Ататурк се школувал во Битола за да стане војсководец, а потоа станал претседател на Турција...”

Што претставува овој текст?

... За вонредните ученици пријавувањето испити во февруарската испитна сесија 2010 година ќе започне на 1.2.2010 година, секој работен ден од 7 до 13 часот. Испитната сесија ќе започне од 20.2. 2010 година и ќе биде истакнат дополнителен распоред. Кандидатите треба да достават:- пријава со таксена марка;- уплатница за платен испит;- испитна тетратка. Место и датум:

Директор Прилеп, 31.1.2010

Г.

Своерачен потпис:

Одговори за каков текст станува збор.

Прочитај го внимателно дијалогот и одговори. Хамлет: „Ако се мажиш ќе ти ја дадам оваа клетва како свадбен подарок: биди невина како мраз, и чиста како снег,- нема да избегаш од клетвата. Ти реков, оди во манастир. Збогум. А ако сепак сакаш да се мажиш, омажи се за некој глупак. Умните многу добро знаат какви чудовишта вие од нив правите. Ти велам, стани калуѓерка! И тоа веднаш. Збогум.“
Офелија: „Небески сили, исцелете го!“ Поради која причина Хамлет ја отфрла Офелија?

7. Македонски јазик и литература - Стручно образование

Прашање

Внимателно прочитај го извадокот од романот „Дон Кихот“ и одговори на прашањето.

„...Сењор, никаде не се гледаат оние луѓе, џинови витези кои Вашата милост ги споменува. Барем јас не ги гледам, освен ако не се сите тие магии или призраци како сношните? Зошто зборуваш така? - се одгласи Дон Кихот. - Зар не го слушаш `ржењето на коњите, звукот на трубите, биењето на барабаните?

Слушам само - одговори Санчо - дека блеат овците. а така и беше, зашто веќе двете стада во меѓувреме се беа доближиле до нив. Стравот што те беше опфатил, Санчо - рече Дон Кихот - ти пречи. Дури и да гледаш и да слушаш добро, стравот ги поматува сетилата и не му дозволува на човека да ги гледа нештата онакви какви што се...”

Според имагинацијата на Дон Кихот, во извадокот, тој се бори со:

Внимателно прочитај го извадокот од драмата „Хамлет“ и одговори на прашањето.

„Да бидеш или да не бидеш ти -
Еве во што е прашањето сега.
Без ропот молкум да го трпиш стравот
И сите стрели на судбата дива
Или пак да се противставиш гневно, гневно
Да станеш веднаш, да победиш в борба
Или да паднеш, да умреш, да спиеш.”

Кому сака да му се одмазди Хамлет?

7. Македонски јазик и литература - Стручно образование

Прашање

Преку која стилска фигура Петрарка го искажал својот душевен судир и љубовно страдање во стиховите:

„Не, нема мир, ни војна, ниту враг
се плашам в надеж, стинеам и горам;
се влечам в прав, со облаци се борам;
за сите туѓ, ги барам сите пак?“

Опредили која стилска фигура е употребена во стиховите.

„На средина од мојот живот земен,
вистинскиот го загубив јас пат:
Се најдов в шума сам, сред густеж темен.“

Одговори кое чувство Петрарка го изразил во стиховите од сонетот „Со чекор бавен“:

„И чинам знае секој рид и река,
Планините и тие магли сиви,
За животов со самота што пека.“

7. Македонски јазик и литература - Стручно образование

Прашање

Внимателно прочитај ги стиховите од воведната песна од „Божествена комедија“ и одговори на прашањето.

„Да тргнам горе, чинам смелост збрав
но, ниту надеж остана, ни сила....
Пред Волчица, пред Пантер и пред Лав,
пред обрачот што одеднаш ме стегна
јас отстапив со срце полно страв.
И в душа очај повторно ме жегна:
Та нема ли да стасам горе - рид?“

Што симболизираат волчицата, пантерот и лавот во политичка смисла?

Прочитај го внимателно извадокот од драмата „Тартиф“ и одговори на прашањето. Тартиф: „Госпоѓо сè оди според мојот план, Јас прегледав сè во сиот апартман, Нема жив човек! Ах, во моја сте власт... Оргон: Стојте! Запрете ја Вашата луда страст! Ова е Вашиот крај, Вашиот пад! Се правевте светец, а Вие сте гад! Со ќерка ми треба да склопите брак, А жена ми ја заведувате пак! Не верував јас во клевети и лаги, А ми ги лажевите суштествата драги; Но, нема како досега слеп да бидам- Веќе не сакам пред очи да Ве видам! Елмира: (на Тартиф) На ваква постапка морав да се решам. Против своја волја требаше да грешам. Тартиф: (на Оргон) Зар верувате? Оргон: Не матете ми ум! Да Ве нема оттука без најмал шум! “Што открива наведениот фрагмент од драмата?

Најнискиот литературен жанр во теоријата на класицизмот е:

7. Македонски јазик и литература - Стручно образование

Прашање

Внимателно прочитај го извадокот од предговорот кон „Утешение грешним“ и одговори на прашањето.

„Како непрестано ревност имајат да помогнат на православните христијани, едни учители со поучение, друзи милостиви со помошт, таквија чловеци, истина велим оти сегда сут у спомену и у похваление и всегдашно ублажение. И како тука, на овој век споменот им ест вечен, тако и Господ наредуе им венци неотсипаниј и сут наследници во царство небесное.“

За што пишува Теодосиј Синаитски во извадокот?

Внимателно прочитај го извадокот од „Слово заради завист“ од Јоаким Крчовски и одговори на прашањето.

„Первиј согрешил на небеси денница со завист и фодуллук. Така и Адам у рај што му заповедал Бог не послушал и отпаднал од Бога. А по Адама и Каин испаднал сос завист. Ама тие первиј грехове излегле от дјавола што бил денница. Адама и Каина тој ги научил на зло. От завист помрачил се и потемнел, што бил глава на ангелите, первиј над серафимите, најхубава денница што утро изгрева и сијае. Прво видел неизреченаја хубавина што е колку три селнца светлост Божествена, паднал у завист, пак си подигнал срцето на гордост, на фодуллук, па сакал да биде Бог...“

Според извадокот, каде најпрво се јавила зависта?

7. Македонски јазик и литература - Стручно образование

Прашање

Која особина на Онегин ја откриваме во стиховите:

„Евгениј беше ученик мал.
А талент животот му дал:
да биде краток кога збори,
да спомене тој патем се,
и како сезнајко да е...?“

Кои белези не се одлика на романтизмот како литературен правец?

7. Македонски јазик и литература - Стручно образование

Прашање

Внимателно прочитај го извадокот од комедијата „Тартиф“ и одговори на поставеното барање.

Оргон:

„Напротив, ќе се сретнувате со неа.
Бесот на сите ќе ме радува мене,
бидете со неа во секое време.
И за да ги разгневам, овој час,
за мој наследник Ве прогласувам Вас.
Како пријател мој и зет Вас Ве ценам
повеќе отколку мајка, деца, жена.
Прифатете го мојот предлог, Ве молам!“

Тартиф:

„Го прифаќам, штом е тоа божја волја!

Оргон:

А сега да Ви дадам и писмен акт,
нека пукнат другите од овој факт!“

Каков однос искажува Оргон кон Тартиф?

Прочитај го извадокот од „Тартиф“ и одговори која особина на Тартиф ја открива Клеант. „... Од таквите редум побожници лажниСо погана душа и прикриен лик-.....Сите тие луѓе со невиден жарПо пат божји врват за свој сопствен ќар, милост божја просат тие секој ден, А живеат в дворци, на порокот в плен...“

7. Македонски јазик и литература - Стручно образование

Прашање

Според извадокот, како е окарактеризиран ликот на Оргон?

Оргон:

„ ... Таков човек нема во нашиот крај.
Кога го слушате спокој ве обзема,
За него светот е чад што ќе го снема.
Јас станувам сосем друг кога го слушам,
Од сите зла ја чисти мојата душа;
ме ослободува од лагата земна.
И да ми умрат брат, деца, мајка, жена,
веќе нема тажен глас да испуштам.“

7. Македонски јазик и литература - Стручно образование

Прашање

Прочитај го внимателно извадокот од делото „Тартиф“ од Жан Батист Молиер и одговори на поставеното прашање.

Тартиф:

„Госпоѓо, сè оди според мојот план,
Јас прегледав сèво сиот апартман,
Нема жив човек! Ах, во моја сте власт...“

Оргон:

„Стојте! Запрете ја вашата луда страст!
Ова е вашиот крај, вашиот пад!
Се правевте светец, а вие сте гад!
Со ќерка ми треба да склопите брак,
А жена ми ја заведувате пак!
Не верував јас во клевети и лаги,
А ми ги лажевте суштествата драги;
Но нема како досега слеп да бидам –
Веќе не сакам пред очи да ве видам!“

Што открива наведениот извадок од драмата?

Прочитај го текстот и одговори на прашањето:

„Ние сме луѓе чија страст, колку да е сјајна,
засолната стои и си останува тајна;
грижата за угледот наш што тешко се ствара
на саканата мила за се и одговара;
таа која нам срце ни дала
има сласт без страв, љубов без скандал.“
Кои особини на Тартиф ги согледуваш од наведените стихови?

7. Македонски јазик и литература - Стручно образование

Прашање

Значаен настан во утврдувањето и истакнувањето на македонскиот национален и културен идентитет е:

Прочитај го извадокот од поемата „Сердарот“ од Григор Прличев и одговори со која стилска фигура авторот ја предал експозицијата на поемата. „Дал град житородни полињата ги беше фатил рој од скакулци се вдал? Дал султанот арачлии предвреме беше пратилда збира арач лут без жал? Ни град полињата житородни ги беше фатилни рој од скакулци се вдал, ни султанот арачлии предвреме беше пратилда збира арач лут без жал!“

Прочитај ја третата строфа од песната „Т'га за југ“ од Константин Миладинов и одговори кое доживување го искажува во строфата.

„Овде је мрачно, и мрак м'обвива;
и темна м'гла земја покрива;
мразој и снегој, и пепелници,
силни ветришча, и вијулици,
околу м'гли и мразој земни,
а в гр'ди студој, и мисли темни.“

7. Македонски јазик и литература - Стручно образование

Прашање

Внимателно прочитај ги стиховите од песната „Т'га за југ“ од Константин Миладинов и одговори на прашањето.

„Овде је мрачно и мрак м' обвива
покрива; мразој и снегој, и пепелници,
вијулици; околу м'гли и мразој земни,
мисли темни.

и темна м'гла земја
силни ветришча и
а в гр'ди студој и

.....
и с'нце светло зајдвит в гората;
сила со с'та раскош ги растурила:
белеит и си од ветар сино темнеит;
планина, сегде божева је хубавина.“

Тамо зората греит душата
тамо дарбите - природна
бистро езеро гледаш
поле, погледниш или

Која стилска фигура ја употребил авторот за да ги спротивстави убавините на својата земја со студената Москва?

Внимателно прочитај го извадокот од поемата „Сердарот“ од Григор Прличев и одговори на прашањето.

„Се надевав, писна, ој Кузмане, дека
како младоженец в зора
девојките ќе ми те облечат; тука ќе екнат
весели свадбени ора.....
Но, место да чуеш ти радосна свадбена песна -
тажачка слушаш да пекам.
И наместо одаја брачна, ох - јамата тесна
бездушно тебе те чека!“

Што е прикажано во наведениот извадок?

7. Македонски јазик и литература - Стручно образование

Прашање

Внимателно прочитај ги извадоците и одговори на прашањето.

„Далеч од баштина, далеч од роднини,
не в чужда за мене земља,
В полјани кичести, зелени долини,
Самичак в планина шетам ја...
И јадни мисли мене борат
И мене стават, то студено то жешко.“
(Рајко жинзифов „Глас“)

„Орелски крилја как да си метнех и в наши ст`рни да си
прелетнех! На наши места ја да си идам, да видам Стамбол,
Кукуш да видам; да видам дали с`нце и тамо мрачно угревјат,
како и вамо.“
(Константин Миладинов „Г'га за југ“)

Кој е заедничкиот мотив во овие две песни?

Внимателно прочитај го извадокот од расказот „Прошедба“ од Рајко Жинзифов и одговори на прашањето.

„Тој час донесоха две перници в`лнени ткаени дома и нап`лнети сос слама;
свиха ги на две, че ми бехме облечени по последната мода, т.е. по френски:
в бели панталони, бел сјуртук, бел копринен вратник, ниско фесче мецидие,
накитени, напомадени...кога ми седнахме, малките дечиња хванаха да се
смејат, че нас тесните панталони не пуштаха да седнеме свободно...“

Што критикува авторот во наведениот фрагмент?

Како македонските писатели го решавале прашањето за јазикот во нивните литературни дела на крајот на 19 и почетокот на 20 век?

7. Македонски јазик и литература - Стручно образование

Прашање

Кој е автор на букварот со наслов „Началное учение со молитви утренија“ („Буквар со утрински молитви“)?

Според Мисирков, правописот на македонскиот јазик треба да се базира на:

Делот од науката за јазикот што ги проучува формите на зборовите, правилата за нивното градење и нивните граматички значења се нарекува:

Што се збороформи?

Колку граматички категории се разликуваат кај придавките?

Според морфолошката класификација, кои од наведените видови зборови се неменливи?

Зборовите со кои се означуваат суштества, предмети, појави и поими се викаат:

Колку вида множина се разликуваат кај именките?

7. Македонски јазик и литература - Стручно образование

Прашање

Кој вид збор ги има истите граматички белези како и именката до која стои?

Кои зборови се полнозначни?

Според составот, која глаголска форма е проста?

Кои глаголски форми се сложени?

Како се викаат службените зборови што ги употребуваме за поврзување одделни зборови во рамките на една реченица или реченици во една сложена реченица?

Зборовите со кои го изразуваме личниот однос спрема она што го соопштуваме се викаат:

Сложената глаголска форма со која се означува дејство што се случило пред друго дејство во минатото се вика:

Што е полисемија?

Под чија редакција е издаден Речникот на македонскиот јазик?

7. Македонски јазик и литература - Стручно образование

Прашање

Зборовите кои се слични по изговор или пишување, а различни по значење се викаат:

Книга во која, по азбучен или некој друг ред, се собрани, подредени и протолкувани зборовите во еден јазик се вика:

Како се вика литературно-научната творба во која се даваат податоци за животот на некоја личност која има посебни заслуги за народот од чии редови произлегува?

Писмена или усна форма на практично-професионална комуникација со која информираме некого за неговото присуство на некаква манифестација (прослава, изложба, спортски натпревар, литературно читање и сл.) се вика:

7. Македонски јазик и литература - Стручно образование

Прашање

Форма на комуникација преку која се изнесуваат настани во кои раскажувачот директно учествувал или бил очевидец, или раскажува за сопствени доживувања се вика:

Како се вика литературно-научната творба во која се обработуваат актуелни прашања од областа на науката, литературата, уметноста, од општествениот и политичкиот живот?

Од колку дела е составена „Божествената комедија“?

Кој од наведените писатели е претставник на ренесансната литература во Италија?

Кој е автор на романот „Дон Кихот“?

Во кое дело Данте ја воспееал историјата на својата платонска љубов спрема Беатриче?

7. Македонски јазик и литература - Стручно образование

Прашање

Кои се главни ликови во романот „Дон Кихот“?

Кој лик во ренесансната литература си го поставува прашањето „Да се биде или не“?

На кое дело не е автор Шекспир?

Кое дело не ѝ припаѓа на ренесансната литература?

Кое лицемерие го разоткрива Молиер во комедијата „Тартиф“?

Врз што се темели класицизмот како правец во литературата?

Кој е автор на комедијата „Тартиф“?

На кој правец во литературата му припаѓаат делата на Молиер, Лафонтен и Корнеј?

Со што не е поврзана појавата на просветителството во Македонија?

Каде е издадена книгата „Огледало“ на Кирил Пејчиновиќ?

Кое од наведените дела не го напишал Јоаким Крчовски?

7. Македонски јазик и литература - Стручно образование

Прашање

Која е главната вредност во делата на Крчовски и Пејчиновиќ?

Кои се првите стихови на народен јазик во македонската литература?

Од кое дело се ликовите Татјана, Ленски и Олга?

Кој правец во литературата се одликува со бегање од стварноста, култ кон минатото и „светска тага“?

Кој е автор на расказот „Прошедба“?

Кој период од македонската литература се одликува со борбата за употреба на македонскиот јазик во училиштата и со собирање и издавање на народното творештво?

Кој е автор на песните: „Бессоница“, „Глас“, „Гусљар в собор“?

Кои се најпознатите собирачи на македонското народно творештво во времето на романтизмот и културната преродба во Македонија?

Кој го издал „Зборникот“ на Браќата Миладиновци?

Каде умреле браќата Димитар и Константин Миладинови?

7. Македонски јазик и литература - Стручно образование

Прашање

Каде се наоѓал Константин Миладинов додека ја пишувал песната „Т`га за југ“?

Кој македонски преродбеник е добитник на лоровиот венец за најдобра поема напишна на грчки јазик?

Од што се инспирирал Григор Прличев за да ја напише поемата „Сердарот“?

На кое наречје сакале да го засноваат литературниот јазик Пулевски, Зографски и Шапкарев?

Кој е најистакнатиот претставник на македонистите кој се залагал за оформување на македонскиот литературен јазик врз западномакедонските говори?

Која основна функција ја задржал црковнословенскиот јазик во периодот од XII до XVIII век?

Кои од наведените именки имаат само множински форми?

Кои заменки се лично-предметни?

7. Македонски јазик и литература - Стручно образование

Прашање

Која именка е конкретна, во множина и определена?

Со која категорија не се карактеризира глаголот?

Кој збор означува приближна бројност?

Формите за индиректен предмет од заменката јас се:

Формите за индиректен предмет од заменките тој и тоа се:

Зборовите пеејќи, играјќи се:

Според морфолошката класификација на зборовите, видовите зборови извици, честички, сврзници, предлози се:

Одговори какви се глаголите во реченицата „Петре постојано потстанува и седнува на клупата“.

Кои од наведените глаголски форми немаат основен вокал?

Од што се изведени именките: лутина, сивило, старост?

Првиот збор во прашалната реченица: „Колку пари ти требаат?“ претставува:

Со сегашно време се именува дејство кое се врши:

7. Македонски јазик и литература - Стручно образование

Прашање

Зборовите кит (морско животно) и кит (средство за китирање) се:

Преводните речници се:

Зборовите: кмет, цар, падар се:

На која лексика ѝ припаѓаат зборовите: печатач, монитор, скенер?

Опредили која е целта на правоговорните (ортоепски) речници.

Како се делат зборовите според процесот на обновувањето на лексичкиот фонд?

Зборовите фабрикат – фабрикант се:

Кои речници го објаснуваат потеклото, коренот на зборот и неговиот развој?

Кои зборовни двојки се антоними?

Кога преку соопштението се изнесува ставот на владата или на одредена политичка партија за конкретните односи во светот, тогаш тоа има значајна улога за:

Со што се запознава читателот, читајќи ја репортажата?

7. Македонски јазик и литература - Стручно образование

Прашање

Во соопштението „ КУД ‚Китка‘ од Драчево ќе одржи концерт во Центарот за култура во нашиот град, во големата сала“ недостасува:

Веста, како форма на практично-професионална комуникација треба да биде:

Фабулата на делото Хамлет е изградена врз основа на:

На кој јазик се пишувани песните од „Канцониерот“ на Франческо Петрарка?

„Животот на госпоѓа Лаура“ и „Смртта на госпоѓа Лаура“ се:

Дон Кихот се замислувал како силен и храбар витез, а всушност бил:

Кога Дон Кихот станал свесен дека бил жртва на заблуда?

Зошто Хамлет навлекува маска на лудак?

Кој му го попречил патот на Данте при неговото излегување од шумата?

Симболиката на кои броеви е искористена при создавањето на „Божествена комедија“ од Данте Алигиери?

7. Македонски јазик и литература - Стручно образование

Прашање

Што претставува непреодната шума во воведната песна од „Божествената комедија“?

Во комедијата „Тартиф“ се претставува конфликтот во семејството на Оргон поради:

Кој е идеолог и теоретичар на францускиот класицизам?

Според која теорија на класицизмот била задолжителна строгата запазеност на единството на времето, местото и дејството на драмата?

Кој лик во комедијата „Тартиф“ ги презема „сите конци“ во свои раце за да го реши проблемот со Тартиф?

Кој му дал повод на Молиер да ја напише комедијата „Тартиф“?

Со што е опседнат Оргон од комедијата „Тартиф“?

Каков карактер има писмената литература што се појавува во делата на Крчовски и Пејчиновиќ?

Што претставува делото „Слово за празниците“ од Кирил Пејчиновиќ?

7. Македонски јазик и литература - Стручно образование

Прашање

Која човечка особина Јоаким Крчовски ја опишува со зборовите: „прокљатија“ и „мерскаја“?

На кој говор е напишано „Словото за зависта“ од Јоаким Крчовски?

Што е тоа што го прави човекот бесмртен, според Теодосиј Синаитски?

Што е основниот мотив во песната „Труд ми е името“ од Јордан Хаџи Константинов -Џинот?

Што сакал да истакне Пушкин преку ликот на Евгениј Онегин?

Поезијата на Константин Миладинов се одликува со :

Која поезија извршила силно влијание врз поезијата на Константин Миладинов?

Кои македонски поети од времето на романтизмот и преродбата, во својата поезија, ги сликаат убавините на татковината?

Какви се песните „Голапче“, „Бисера “ и „Желание“ од Константин Миладинов според мотивското јадро?

Кој ѝ раскажува на Неда, мајката на Кузман, за смртта на нејзиниот син?

7. Македонски јазик и литература - Стручно образование

Прашање

Кој е централниот настан со кој се поврзани сите случувања во делото „Сердарот“?

Обраќајќи му се на „голапчето“, на кого всушност, поетот (Константин Миладинов) му ја ветува својата верност?

Кој лик од поемата „Сердарот“ е олицетворение на хероизам и добрина, јунаштво и чесност, издржливост и жестокост?

Која е идејната порака на Рајко Жинзифов во расказот „Прошедба“?

Прочитај го внимателно текстот и одговори на поставеното прашање.

1. Во македонскиот литературен јазик треба да се установат оние форми од централните говори што во најголем степен ќе ги поврзат сите наши говори...
2. Во македонскиот литературен јазик треба, во најголем степен, да се изрази неговата народна основа. Речникот на литературниот јазик да се обогатува со зборови од сите наши дијалекти...
3. Македонската азбука да биде составена од толку букви колку што има гласови во литературниот јазик. „Што претставуваат наведените точки?“

7. Македонски јазик и литература - Стручно образование

Прашање

Што сакал да истакне Темко Попов, еден од најистакнатите претставници на лозарите, со реченицата: „И сам Исус Христос ако слезит од небото не можит да го уверит Македонецот оти тој е Б`лгарин или Србин“?

Која глаголска форма е во предминато време?

Кој глагол е несвршен?

Кој збор е прилог за место?

Во која реченица е употребена глаголска придавка?

Кои именки имаат форми за збирна множина?

Која придавка е степенувана во суперлатив?

Опреди ја која именка е употребена во функција на директен предмет во реченицата: „Учителката Јана им читаше песна на учениците“.

Во која реченица е употребен можен начин?

Кој збор е показна заменка во реченицата „Јас сакам да ги купам овие чевли“?

7. Македонски јазик и литература - Стручно образование

Прашање

Кој глагол е од е-група, а-раздел?

Што се зборовите рачиште, жениште, човечиште?

Во реченицата „Тоа е мојата златна рипка“, зборот рипка е:

На која лексика ѝ припаѓаат зборовите гора, мајка, син?

Зборовите: лингвистика, театар, математика се:

Каква лексика е употребена во реченицата „Свонезот на свончињата се разлеа по ливадите“?

Прочитај го внимателно текстот и одговори на прашањето.
„ Во 1996 година излезе од печат Речник на презимиња кај Македонците (А-Љ), а во 1996 год. Речник на топонимите во областа по сливот на реката Брегалница. Во 1992 год. излезе од печат Речник на личните имиња кај Македонците“
За каков вид речници станува збор?

7. Македонски јазик и литература - Стручно образование

Прашање

Внимателно прочитај го извадокот и одговори на поставеното прашање.
„...Сум син на Ставра Прличев и Марија Ѓокова, родители доста бедни, но чесни. Роден сум во Охрид, на 18 јануари 1830 според едни, 1831 според други, затоа и ретко споминам дати.....По малку умре татко ми и ме остави шестмесечно младенче заедно со други двајца браќа и една сестра, сите маловозрасни. Дедо беше земјоделец, висок и белобрад старец, но трудољубив.....Бев одвај четиригодишен, кога дедо ми достави еден грчки буквар по најстара метода и ме изучи на имињата на буквите.“

Што претставува овој текст?

7. Македонски јазик и литература - Стручно образование

Прашање

Внимателно прочитај го извадокот и одговори на поставеното прашање.

„Кога ќе се спомене манастир и монаштво првата асоцијација што паѓа на ум и што во православниот свет е поим за подвижнички начин на живот е третиот крак од полуостровот Халкидики, наречен Атос или Света Гора. Ова место е познато уште и како градина на Пресвета Богородица, зашто, како што вели преданието, Богомајката, откако по едно патување низ бура се засолнила на бреговите на оваа земја, ја побарала од својот син за свое наследство. Благословен и постојано заштитиуван од Светата Дева, овој дел од полуостровот низ вековите се развил во вистински монашки центар со дваесет големи манастири. За секој православен е сон да ја посети оваа земја на Исусовата молитва и на светите старци. Па така, со благословот Божји, неколку православни верници од Македонија, го посетивме овој чудесен и пресвет дом на црнорисците. Очекувањето на бродот во пристаништето во градот Уранополис, што се наоѓа на границата меѓу светот и оние што ‚умреа за светот‘, претставува само дополнителен товар за духот што нестрпливо посакува веќе да е во светата населба. Првиот поглед од палубата само ја зголемува тензијата, зашто човек, вртејќи се на сите страни низ морската шир, се обидува што побрзо да го пронајде меѓу неколкуте далечни брегови, токму оној каде што сиот живот посакува да отиде. Набрзо, секој верник ги закопува своите очи на вистинската силуета и не престанува да ја повикува Богородица да го удостои да стигне до таму.“

За каков литературно-научен вид станува збор?

7. Македонски јазик и литература - Стручно образование

Прашање

Прочитај ги внимателно стиховите и одговори на поставеното прашање.

„ Сал чекор - два: одненадеж под ридот
се јави пантер: шарен, стрвост полн;
ме гледа, не ме пушта од видот...

Исплашен од сверот толку зол
што одеднаш пред патот ми се згоди
- си реков: да се вратам в дол.“

Извадокот е од делото:

Прочитај го внимателно извадокот од „Пеколот“ од Данте Алигиери и одговори на поставеното прашање.

„ На средина од мојот живот земен
вистинскиот го изгубив јас пат:
се најдов в шума сам, сред густеж темен.
А таа шума, дива, чуден кат
- што да речам? - во трње. В буеж сета,
сред срце раѓа спомен, страв и лад.
Погорчлива одвај е смртта клета!

Но, за блаженството што сум го пил,
ќе раскажам за се што сретнав таму.“

Авторот, преку стихот, „А таа шума, дива, чуден кат“ симболично го претставува:

7. Македонски јазик и литература - Стручно образование

Прашање

Прочитај го извадокот од драмата „Хамлет“ од В. Шекспир и одговори на поставеното прашање.

„ Хамлет:

Да бидеш или да не бидеш ти –

Еве во што е прашањето сега.

Без ропот, молкум да го трпиш стравот

И сите стрели на судбината дива

Или пак да се противставиш гневно,

Да станеш веднаш, да победиш во борба

Или да паднеш, да умреш, да спиеш.

Да знаеш дека ќе ја скинеш така

Нишката на безброј лишувања, маки

На ова тело. Тоа ли е целта?

Да умреш. Да сонуваш. Да спиеш.“

Темата на наведениот извадок е:

Внимателно прочитај го извадокот од „Канцониерот“ од Франческо Петрарка и одговори како поетот ја претставува љубовта кон Лаура.

„...Без очи гледам; нем- за болка зборам.

Јас барам спас - да загинам со жед!

Се мразам , го сакам сиот свет.

Ме храни бол. Од плачот насмев творам!

Ти, смрт!...Ти живот!...Иста беда си!

За ова, Жено виновна си Ти!“

7. Македонски јазик и литература - Стручно образование

Прашање

Внимателно прочитај го извадокот од романот „Дон Кихот“ и одговори на прашањето. „Мудроста бара да се чуваш за утрешниот ден и да не ризикуваш сè наеднаш....Сињор, тагата не е создадена за животните, туку за луѓето, но, ако луѓето премногу ѝ се предадат, стануваат животни.“ Што претставуваат овие зборови кои Санчо Панса му ги кажува на Дон Кихот?

Прочитај го внимателно извадокот од песната „Не, нема мир...“ од Петрарка и одговори на прашањето.

„Без очи гледам, нем за болки зборам,
јас барам спас за гибел и за жед,
се мразам сам, го сакам сиот свет“.

Како се чувствува Петрарка во однос на Лаура според овие стихови?

7. Македонски јазик и литература - Стручно образование

Прашање

Внимателно прочитај го извадокот од комедијата „Тартиф“ од Молиер и одговори на прашањето.

„ Тартиф:
Љубовта кон Бога што нè гори в души
љубовта кон жена нема да ја гуши.
И сè што е драго нè мами со сила,
а верата в Бога нам нè дава крила“

Зошто Тартиф, кога ѝ предлага на Елмира да ѝ биде љубовник, мисли дека никој нема да се посомнева во нив?

Која стилска фигура е употребена во извадокот од комедијата „Тартиф“?

„ Битието ваше ко Господ е сјајно,
и чувствата кон вас се силни и трајни.
Господ вам ви дарил најпрекрасен дар -
во плен ваш да паѓа и младич и стар;

личотата ваша ја гледам, ко рај

та творецот вишен го славам без крај“

Што претставил Молиер во комедијата „Тартиф“?

7. Македонски јазик и литература - Стручно образование

Прашање

Внимателно прочитај го извадокот од предговорот кон „Утешение грешним“ и одговори на прашањето.

„Еве клуч што отворует сердцето ваше, не клуч от злато или от сребро, клуч от железо и чилик, оти среброт и златото ест меко и се вие скоро, но железото со чилик не се вие. Кога да ет отворот сиреч откључот от злато или от сребро, та да не може ковчегот сиреч сердцето мое да отвори, что ми ест таков отвор (кључ). Нека ест от чилик и железо, та да отвори ковчегот“.

За што се застапува Теодосиј Синаитски во предговорот кога говори користејќи ја симболиката на клучот?

Внимателно прочитај го извадокот од „Слово за празниците“ од Кирил Пејчиновиќ и одговори на прашањето.

„Једни гледам ставиле на глава на имање лук, једни зеле од волка зуб, други и сердцето, па го носат како свјатиња. И, сиромаше! Што тоа неверствие во тебе? Што тоа многобожие во тебе? Што тоа безумие на страст? Вук да можел да чува чоека, свакиј во куќата по еден жив ќе ранеше, да го чува.“

Што критикува Кирил Пејчиновиќ во овој извадок?

7. Македонски јазик и литература - Стручно образование

Прашање

Внимателно прочитај го извадокот од песната „Труд ми е името“ од Јордан Хаџи Константинов Џинот и одговори на прашањето.

„Најпаче се трудим,
труд да ме зовут судим.
Труд ште вас научи
и ште вас обучи
блажено да ступате
добро да творите.“

На што укажува авторот во овие стихови?

Внимателно прочитај го извадокот од романот „Евгениј Онегин“ од Александар Сергеевич Пушкин и одговори на поставеното прашање.

„ А сакаше да гледа како
се раѓа тивко денот злат,
и в мечти, потпрена на балкон,
да гледа в бледен Млечен Пат
штом хоризонтот светлост лее,
а ветрот - гласник утрин - вее
и повтор нов се раѓа ден...
Во зима, кога таинствен
се спушта мир и светот сони
во часот кога цари мрак
и плиска месецот чист зрак,
а исток сиот в мрза тони
- ко сношти, пак разбудена,
стануваше, возбудена.“

Што ја интересирало Татјана во детските години?

7. Македонски јазик и литература - Стручно образование

Прашање

Внимателно прочитај го извадокот од „Странствувањето на Чајлд Харолд“ од Бајрон и одговори на прашањето.

„О, збогум, роден крај! Ти сив
исчезнуваш зад морска шир.
А ветрот јачи; галеб див
со својот пискот руши мир.
На запад сонцето се крие
и ширта морска губи сјај;
се губиме по патот ние...
О, добра ноќ, мој роден крај.“

Што претставуваат наведените стихови од „Просталната песна“ на Чајлд Харолд?

Внимателно прочитај го извадокот од „Сердарот“ од Григор Прличев и одговори на прашањето.

„ Плачовите низ селото се носеа сè уште
и Неда црна крпа пак
од главата си фрли, повтор косата ја пушти,
а плачот стана толку јак.“
Неда, поради огромната жал по загубениот син Кузман:

7. Македонски јазик и литература - Стручно образование

Прашање

Внимателно прочитај ги стиховите од песната „Бисера“ од Константин Миладинов и одговори на прашањето.

„ Бисеро моме, Бисеро
за кого носиш бисерот?
За кого готвиш дарови?
Ја дарој, бисер не сака
тук сака мома Бисера.“

Која стилска фигура е употребена во наведените стихови?

Внимателно прочитај ги стиховите од песната „Глас“ од Рајко Жинзифов и одговори на прашањето. „Безумец, безумец, душа ти ленива-ја чух невиден и таен глас-спрегни плуг за забораветата нива, че блиска ет доба, че близок ет глас. Стани, земи остен в р'це работајти ден и ношт, сос труд, сос пот, истреби трње, исчисти троскот, изорај, бесплодна нива да дадит плод.“ Гласот на татковината го повикува поетот:

8. Математика - Општо образование

Прашање

Секоја равенка со променливи x и y , која може да се трансформира во видот $ax + by = c$, каде $a, b, c \in \mathbb{R}$ и или $a \neq 0$ се вика: $b \neq 0$

Секоја подредена двојка реални броеви (x_0, y_0) , за која равенката $ax + by = c$ преминува во вистински исказ $ax_0 + by_0 = c$ се вика:

8. Математика - Општо образование

Прашање

За линеарната функција $3x - 4y = -9$ коефициенти се:

Две равенки се еквивалентни во дадена област D , ако и само ако:

Два система со две линеарни равенки со две променливи се еквивалентни во дадена област на дефинираноста D , ако и само ако:

Која од равенките е линеарна равенка со две променливи?

Едно решение на равенката $x - y = 3$ е подредениот пар:

Која од дадените равенки е линеарна равенка со две непознати?

Општиот вид на систем од две линеарни равенки со две непознати е:

Кој од системите е систем од две линеарни равенки со две непознати?

Графикот на линеарна функција со две променливи е:

Ана системот $\begin{cases} 2x + y = 1 \\ 3x + y = 9 \end{cases}$ го решавала со метод на спротивни коефициенти. Како таа решавала со метод на спротивни коефициенти?

8. Математика - Општо образование

Прашање

Решение на системот од линеарни равенки $\begin{cases} 4x + y = 9 \\ 3x - 2y = 4 \end{cases}$ е:

Со еквивалентна трансформација, равенката $2x + 3y - 1 = 4y - x - 3$ е доведена е до видот:

Графикот на линеарната равенка $y - 2x = 4$ ја сече апциста во точка со координати:

Кои се броевите чиј збир е 162, а разликата е 28?

Подредениот пар $(2, -1)$ е едно решение на линеарната равенка $(5-k)x - (k+1)y = 3$ за:

За која вредност на параметарот k , равенството $3x - ky = 4y + 3x$ преминува во идентитет:

Со еквивалентни трансформации, равенката $5(x-3) - 2(y+1) - 10 = 0$ запишана во општ вид е:

Системот равенки $\begin{cases} 3x - y = 2 \\ x + 2y = -1 \end{cases}$:

Подредениот пар $(2, -1)$ е едно решение на равенката $(2x-3)m - y = 7-m$ за:

8. Математика - Општо образование

Прашање

Подредениот пар $(2, -1)$ е решение на системот равенки:

Подредениот пар $(1, -2)$ е решение на равенка:

Решение на системот од две линеарни равенки со две непознати

$$\begin{cases} 2x + y = 5 \\ 2x + 5y = 9 \end{cases}$$
 е подредениот пар:

Ако подредениот пар $(2, -3)$ е решение на равенката $(2k - 1)x + 3y = 1$ тогаш:

Системот равенки
$$\begin{cases} (x - 2)(x + 2) - 2y = x(x - 4) \\ \frac{x}{2} - \frac{y}{3} = x \end{cases}$$
 е еквивалентен со системот:

За која вредност на параметарот c графикот на равенката $3x + y = c$ ќе минува низ точката $A = (-1, -2)$?

Графикот на функцијата определен со равенката $y - \frac{2}{3}x = 3$, ја сече ординатната оска во точката B со координати:

Со кои од графиците системот линеарни равенки
$$\begin{cases} 3x - y = 1 \\ 2x + y = 4 \end{cases}$$
 е решен графички?

8. Математика - Општо образование

Прашање

Збирот на x и y на решението на системот линеарни равенки е:
$$\begin{cases} 2x - 3y = 1 \\ x + 5y = 7 \end{cases}$$

Системот линеарни равенки
$$\begin{cases} \frac{x}{4} - y = \frac{1}{2} \\ x + \frac{y}{3} = -\frac{3}{4} \end{cases}$$
 е еквивалентен на системот:

Равенката $(x - 1) : (y + 1) = 1 : 2$ запишана во општ вид е:

Системот линеарни равенки
$$\begin{cases} (x - 4)^2 + 2y = (x - 2)(x + 2) \\ \frac{x}{2} - \frac{y}{3} = x \end{cases}$$
 е еквивалентен на системот:

Општото решение на равенката $y + 2x = 4$ е:

За која вредност на параметарот m системот равенки
$$\begin{cases} -2x + my = 5 \\ 2x - 3y = 7 \end{cases}$$
 нема решение?

Кои од системите од две равенки со две непознати се еквивалентни?

Ако знаеме дека еден внатрешен агол на триаголник е 64° , а разликата на другите агли е 28° , тогаш аглите на триаголникот може да ги пресметаме со решавање на системот:

8. Математика - Општо образование

Прашање

Множеството решенија на линеарната равенка со две непознати $3x - y = -1$ е:

Кој од системите е општ вид на системот $\begin{cases} \frac{x}{2} - y = -3 \\ 2x - \frac{1-y}{3} = 1 \end{cases}$?

Колку години има синот ако е две години постар од сестрата, а 30 години помлад од мајката и ако сите заедно имаат 70 години?

За која вредност на n системот $\begin{cases} 2x + 6y = 10 \\ x + ny = n + 2 \end{cases}$ има бесконечно многу решенија:

Кои вредности се решение на равенката $x^2 = 64$?

Нека $a > 0$ и нека $n \in \mathbb{N}$. Ненегативниот број x кој што ја задоволува равенката $x^n = a$ се вика:

Нека a е произволен реален број и нека n е произволен природен број. Изразот $\sqrt[n]{a^n}$ е еднаков на:

Кое од тврдењата се однесува на кратење на корен?

Еден корен е во нормален вид :

8. Математика - Општо образование

Прашање

Симе знаел дека $169 < x < 196$. Што е вистинито за \sqrt{x} ?

Ако a позитивен реален број и m и n е природни броеви, тогаш $\sqrt[n]{\sqrt[m]{a}}$ е еднакво на:

Коренот $\sqrt{x^2}$ е еднаков на:

Коренот $\sqrt[3]{x^3}$ е еднаков на:

Степенот $x^{\frac{2}{3}}$ запишан како корен е:

Изразот $\sqrt[8]{x^8}$ е еднаков на:

За која вредност на n е точно равенството $4^5 : 4^3 = 4^{5-n}$?

Кое од равенствата е равенство за коренување на производ?

За да се ослободиме од коренот во именителот на дробката $\frac{2}{3+\sqrt{5}}$:

е еднакво на: $\sqrt[3]{\sqrt[4]{x^2}}$

8. Математика - Општо образование

Прашање

Колку е $\left(\sqrt{\frac{3a}{2b}}\right)^3$?

Колку е $\sqrt[3]{2x^2} \cdot \sqrt[3]{4x}$?

Колку е $\sqrt[9]{(-4)^9}$?

Прошири го коренот $\sqrt[12]{x^4 y^{10}}$ со 3.

Најди ја приближно страната на квадрат со површина 27cm^2 . Одговорот заокружи го на едно децимално место.

Кој е најголемиот природен број помал од $\sqrt{53}$?

Меѓу кои два последователни природни броеви е $\sqrt{111}$?

Колку е $\sqrt{0,0001}$?

Вредноста на $A = \sqrt[9]{\left(-\frac{1}{27}\right)^{-6}}$ е:

Колку е $\frac{\sqrt[3]{0,008}}{\sqrt{0,01}}$?

8. Математика - Општо образование

Прашање

Вредноста на $\sqrt[4]{96 \cdot 8}$ е:

Вредноста на бројниот израз $2\sqrt{12} - 3\sqrt{27} + \sqrt{48}$ е:

запишан во нормален вид е: $\sqrt{48}$

Колку е вредноста на $\sqrt[3]{8 \cdot \left(-\frac{27}{64}\right) \cdot 64}$?

Корените $\sqrt{2}$ и $\sqrt[3]{4}$ се сведени на ист коренов показател:

Кој од корените е во нормален вид?

Пресметај го количникот $\frac{\sqrt[3]{2x^2y}}{\sqrt[5]{x^3y}}$.

Колку е $\sqrt[6]{2} \cdot \sqrt[3]{3c}$?

Плоштината на квадратот P е 52 cm^2 . Плоштината на квадратот Q е една четвртина од плоштината на квадратот P. Најди ја приближно страната на квадратот Q. Одговорот заокружи го на едно децимално место.

8. Математика - Општо образование

Прашање

Процени ја вредноста на $\sqrt{\frac{5}{11}}$, до најблиската десетина.

Која дробка има квадратен корен помеѓу 3 и 4?

Ако се упрости изразот $\frac{y^{\frac{1}{5}}y^{\frac{1}{2}}}{y^{\frac{7}{5}}}$ се добива:

Со рационализирање на именителот на изразот $\frac{5}{2\sqrt{3+3\sqrt{2}}}$ се добива:

Со извршување на операциите во изразот $a \cdot \frac{a^{\frac{1}{2}}}{\sqrt{a}}$ се добива:

Дадено е $a = \sqrt[6]{\frac{4}{\sqrt{2}}}$. Кој од следните степени има вредност цел број?

По рационализацата на бројниот израз $\frac{1}{\sqrt{7}-\sqrt{6}}$ се добива:

Изразот $\sqrt[3]{a^2}\sqrt{a}$ е еднаков на:

Изразот $\frac{\sqrt{3}-\sqrt{2}}{\sqrt{3}+\sqrt{2}}$ може да се трансформира во изразот:

Која од следните равенки има решение во N ?

8. Математика - Општо образование

Прашање

Симболот i е број, чиј квадрат е -1 . Вака дефинираниот број i се вика:

Колку е реалниот и имагинарниот дел на комплексниот број $z = -5 + 2i$?

Два комплексни броја, кои имаат еднакви реални дела, а имагинарните делови им се со спротивен знак се викаат:

Ако $z = \frac{\sqrt{3} + i}{2}$, тогаш:

Кој комплексен број е конјугирано комплексен на бројот $-1 + 2i$?

Степенот i^{4k+3} е еднаков со:

Колку е $|z_1 \cdot z_2|$?

Спротивен број на комплексниот број $-3 + 4i$ е:

Одреди го модулот на комплексниот број $2 - 3i$.

Колку е $\sqrt[3]{-8}$?

Во кој квадрант од комплексната рамнина е комплексниот број $z = 4 - i$?

8. Математика - Општо образование

Прашање

Колку е $\sqrt{-28}$?

Упростен изразот $(-2-4i) + (3+i)$ е:

Упростен изразот $-i^{73}$ е:

Модул на комплексниот број $z = -3 + 2i$ е:

Колку е i^{2010}

е: i^{35}

Запиши изразот $\sqrt{-4 + 10}$ во облик $a + bi$.

Збирот на конјугирано комплексни броеви z и \bar{z} е:

Производот на броевите $z_1 = 3 - 4i$ и $z_2 = 3 + 4i$ е:

Упростен изразот $\frac{8+4i}{6-9i}$ е:

Која е поедноставна форма на $\frac{9i^5 + 5i^7}{2i^4}$ во стандарден облик?

Упрости $(-6 + 3i)^2$.

8. Математика - Општо образование

Прашање

Количникот $\frac{i}{\sqrt{2+i}}$ е еднаков на:

Комплексните броеви $z_1 = x - 2 + 3yi$ и $z_2 = 2x - 1 - 3yi$ се еднакви за:

Колку е $i \cdot (2-4i) \cdot (9-3i)$?

Упростен изразот $\frac{7+6i}{-1-2i}$ е:

Ако $a = 4 + 2i$ и $b = -3 - 5i$. Колку е конјугираниот комплексен број на $a + b$?

Која од следните равенки е квадратна?

Даден е квадратниот трином $ax^2 + bx + c$, чии нули x_1 и x_2 се реални броеви. Квадратниот трином точно е разложен на линеарни множители со реални коефициенти:

Ако x_1 и x_2 се корени на квадратната равенка $x^2 + px + q = 0$ тогаш: $(a \neq 0)$,

Квадратната равенка $ax^2 + bx + c = 0$ има реални корени за:

Која од квадратните равенки е од видот $ax^2 + bx = 0$?

Коефициентите a, b, c на квадратната равенка $\sqrt{5} - 6x + \sqrt{3}x^2 = 0$ се:

8. Математика - Општо образование

Прашање

Ако x_1 и x_2 се корени на квадратната равенка $ax^2 + bx + c = 0, (a \neq 0)$, тогаш

Која од равенките е квадратна равенка?

Формулата за корените на квадратната равенка $ax^2 + bx + c = 0, (a \neq 0)$, е:

Ако детерминантата $D > 0$ тогаш решенијата на квадратната равенка $ax^2 + bx + c = 0, a \neq 0$ се:

При користење на формулата за пресметување на корените на квадратната равенка $3x^2 - 5x = -8$, кои вредности треба да се користет за a, b и c ?

Како се пресметува дискриминантата на квадратната равенка $-x^2 + 17x - 5 = 0$?

Која од квадратните равенки е неполна квадратна равенка?

Заеднички корен за равенките $x^2 - 7x + 10 = 0$ и $x^2 - 10x + 16 = 0$ е:

Кои се корените на квадратната равенка $3x^2 + 4x = 10$?

Равенката $3x(x - 2) = 7$ запишана во општ вид:

Користи ја дискриминантата за да го утврдиш бројот на реалните корени на квадратната равенка $-(x + 5)^2 - 1 = 0$.

8. Математика - Општо образование

Прашање

Решенија на равенката $16x^2 + 4 = 0$ се:

Одреди го параметарот m на равенката $x^2 + x + m = 0$ и $x_1 = -3$.

Зошто квадратната равенка $a^2 + a + 7 = 0$ нема реални решенија?

Равенката $y^2 = 64$ може да се претстави како производ на прости множители на следниот начин:

Решенија на равенката $x^2 - 6x = 0$ се:

Одреди го параметарот k , така што равенката $x^2 + 3x + k = 0$ да има двоен корен.

За која вредност на параметарот k , равенката $(k+1)x^2 + (3k+2)x - 5k + 4 = 0$ е од видот $x^2 + px + q = 0$?

Производот на корените на квадратната равенка $6x^2 + 5x - 12 = 0$ е:

Збирот на корените на квадратната равенка $x^2 + 4x - 5 = 0$:

За кои вредности на параметарот k , равенката е квадратна?
 $(4k-3)x^2 - 4kx = 0$

Збирот на решенијата на квадратната равенка $3(x-2)(x+5) = 0$ е:

8. Математика - Општо образование

Прашање

За која вредност на параметарот k , подредениот пар $(4, 2)$ е решение на равенката $5x - ky = k - 4$:

Како гласи квадратната равенка чии корени се $x_1 = -5, x_2 = 3$?

Како гласат Виетовите формули за равенката $2x^2 - 7x + 5 = 0$?

Решение на равенката $\frac{x+2}{x-2} = \frac{-3}{x}$ е:

Должината на правоаголен прозорец е 6 m повеќе од нејзинта ширина W .
Плоштината на прозорецот е 36m^2 . Која равенка може да се користи за да се најдат димензиите на прозорецот?

Ако корените на $x^2 + px + 12 = 0$ се во сооднос $1:3$, а тогаш p е еднакво на:

Колку е бројот на корените на квадратната равенка $x^2 - 3 = (3x - 2)(x + 7)$?

Ако α, β се корените на $x^2 + 5x + a = 0$ и $2\alpha + 5\beta = -1$, тогаш е еднаква на: a

За која вредност на k , квадратната равенка $2x^2 - kx + k = 0$ има еднакви корени?

За кои вредности на параметарот k , равенката $(k - 4)x^2 + 6 = 0$ ќе има различни реални корени:

8. Математика - Општо образование

Прашање

Збирот на аритметичката и геометриската средина на корените на квадратната равенка $x^2 - 4x = 0$ е:

Квадратната равенка $x^2 - (m - 2)x + m + 1 = 0$, каде m е реален параметар е неполна квадратна равенка, ако вредноста на m е: m

Ако x_1, x_2 се решенија на квадратната равенка $2x^2 + 6x - 1 = 0$, тогаш вредноста на $\frac{1}{x_1} + \frac{1}{x_2}$ изнесува:

Ако периметар на правоаголник е $82m$, а неговата плоштина е $400m^2$, тогаш пократката страна на правоаголникот е:

Параболата $y = ax^2 + c$ е симетрична во однос на y -оската и нејзиното теме е во точката:

Графикот на функцијата $f(x) = a(x - \alpha)^2$ се добива од графикот на функцијата $f(x) = ax^2$ со поместување на параболата $f(x) = ax^2$:

Квадратната функција $f(x) = ax^2 + bx + c$ има екстремна вредност за:

За испитување на знакот на квадратната функција, го одредуваме знакот на:

Квадратната функција $f(x) = ax^2 + bx + c$ за $x = -\frac{b}{2a}$ има екстремна вредност:

8. Математика - Општо образование

Прашање

Графикот на функцијата $f(x) = a(x - \alpha)^2 + \beta$ за $\alpha < 0$ и $\beta > 0$ се добива од графикот на функцијата $f(x) = x^2$ со транслација на параболата $f(x) = ax^2$

Која од функциите е квадратна функција?

Која од следните функции е квадратна?

Квадратната функција $y = ax^2 + bx + c$; $a, b, c \in \mathbb{R}$ и $a \neq 0$ со теме $T\left(-\frac{b}{2a}, \frac{4ac - b^2}{4a}\right)$ во каноничен вид е:

Квадратната функција $y = ax^2 + bx + c$; $a, b, c \in \mathbb{R}$ и $a \neq 0$ со теме $T\left(-\frac{b}{2a}, \frac{4ac - b^2}{4a}\right)$ има оска на симетрија:

Графикот на квадратната функција $f(x) = x^2$ е:

Квадратната функција $f(x) = ax^2 + bx + c$ добива негативни вредности за секој $x \in \mathbb{R}$ ако:

Максималната вредност на функцијата $y = -3x^2$ е:

8. Математика - Општо образование

Прашање

Кои се решенија на равенката $4(x-1)^2 - 3 = 25$?

Теме на квадратната функција $y = 2(x-3)^2 - 7$ е:

Екстремната вредност на функцијата $f(x) = 2x^2 - 4x - 3$ е:

Кои се нули на функцијата $f(x) = x(2x^2 - 8x + 6)$?

Ако $x^2 + 8x + c$ е полн квадрат, колку е вредноста на c ?

Дефиниционата област на дробката $\frac{2}{x^2-64}$ е:

Дадена е функцијата $f(x) = -x^2 + 5x + 3$. Колку е $f(-2)$?

Темето на параболата $y = x^2 - 2x$ има апсциса:

Дадена е квадратната функција $y = x^2 - 4x + 3$. При разложување на функцијата y на линеарни множители $(x-x_1)(x-x_2)$:

Најмалата вредност што ја добива функцијата $y = 3x^2 + 1$ е:

Темето на параболата $y = -x^2 + 6x - 6$ има апсциса :

Во колку точки графикот на функцијата $y = x^2 + 2x + 3$ ја сече x -оската ?

8. Математика - Општо образование

Прашање

Квадратната функција $y = ax^2 + bx + c$, $a, b, c \in R$ и $a \neq 0$ со теме $T(\alpha, \beta)$ има оска на симетрија:

За да минува графикот на функцијата $f(x) = x^2 + mx + 4$ низ точката $(1, 2)$, параметарот m треба да е:

Кои се коефициентите a, b, c на функцијата $f(x) = -2(x+3)^2 + 1$?

Што е решение на неравенката $x^2 + 7x - 8 > 0$?

Кое е точното разложување на множители на функцијата $y = 4x^2 + 4x - 35$?

Графикот на функцијата $f(x) = -2x^2 - 3$ се добива од графикот на функцијата $f(x) = -2x^2$ со поместување на параболата $f(x) = -2x^2$.

Што е точно за функцијата $f(x) = ax^2$, за $a < 0$?

Која од функциите опаѓа во интервалот $(-\infty, 0)$?

Графикот на квадратната функција $y = 2x^2 - 10x + 7$ е симетричен во однос на правата:

Колку е минимумот на функцијата $y = x^2 - 2x - 3$?

Множеството решенија на неравенката $x^2 + x - 6 \leq 0$ е:

8. Математика - Општо образование

Прашање

Топче за голф се движи по една патека која може да се моделира со квадратна функција $h(t) = 7,8 + 22t - 5t^2$, каде што времето, t е во секунди и висина, $h(t)$, во метри. Користи ја квадратната функција за да одредиш кога топчето за голф ќе падне на замја. Пресметката заокружи ја на стотинки.

За кои вредности на t функцијата $f(x) = -9x^2 - tx - 4$ нема нули?

Градежен работник испушта алатка од врвот на една зграда која е висока $200m$. Висината на паѓање на алатката може да се даде со функцијата $h(t) = -16t^2 + 200$, каде h е висина во метри и t е времето во секунди. Колку е потребно време за да падне алатката на земјата? t

Колку раба има десетаголна призма?

Колку дијагонални пресеци има петаголна призма?

Колку најмалку бочни ѕидови може да има призма?

Колку најмалку рабови може да има призма?

Плоштината на правилна четириаголна призма се пресметува со формулата:

Волуменот на правилна тристрана пирамида се пресметува со формулата:

Волуменот на пирамида со основа правоаголник се пресметува со формулата:

8. Математика - Општо образование

Прашање

Колку е страната на квадрат со плоштина 25cm^2 е:

Бочната плоштината M на конус со радиус r и апотема s е:

Волуменот на потсечен конус е:

Плоштината на прав цилиндар со радиус R и висина H е:

Волуменот на конус со радиус r и висина H е:

Терминот „волумен“ означува:

Волумен на правилна четиристрана пирамида со основен раб a и висина H е:

Плоштината на правилна шестаголна призма се пресметува со формулата:

Кои од дадените димензии се димензии на рамностран конус?

Призма и пирамида имаат еднакви основи и еднакви висини. Волуменот на пирамидата е 64cm^3 . Колку е волуменот на призмата?

Плоштината на оскиниот пресек е рамностран цилиндар е 81cm^2 . Колку е радиусот на цилиндарот?

8. Математика - Општо образование

Прашање

Колку е плоштината на цилиндар со радиус 4 m и висина 3 m? Заокружи на најблиската десетинка.

Колку е плоштината на конус со радиус 4cm и генератриса 5cm ?

Кире направил конусна шапка со висина 8cm и периметар на основата $12\pi\text{cm}$. Колку е плоштината на шапката?

Колку е волуменот на призма со основа рамнокрак триаголник со основа 7cm и висина 7cm и висина на пирамидата $H = 9\text{cm}$?

Колку е волуменот на квадар со страни $a = 14\text{cm}$, $b = 5\text{cm}$, $c = 8\text{cm}$?

Колку е волуменот на цилиндар со радиус $R = 5\text{m}$ и висина $H = 3\text{m}$, пресметан до најблискиот кубен метар?

Колку е волуменот на конус со радиус $r = 15\text{m}$ и висина $H = 8\text{m}$, пресметан до најблискиот кубен метар?

Бочната плоштина на правилна четиристрана призма со висина 8cm е 160cm^2 . Должината на основниот раб е:

Волуменот на правилна четиристрана пирамида со основен раб 9cm и висина 18cm е:

Волуменот на цилиндар впишан во коцка со раб a изнесува:

Пирамида со плоштина на основата 40cm^2 и висина 9cm има волумен:

8. Математика - Општо образование

Прашање

Волуменот на права призма со висина 30cm и основа ромб чии дијагонали се 18cm и 24cm е:

Волуменот на пресечен конус со висина $H = 6\text{cm}$ и радиус на поголемата основа $r_1 = 7\text{cm}$ и помалата основа $r_2 = 4\text{cm}$ е:

Волумените на призма и пирамида со исти основи и висини се однесуваат како:

Правилна шестоаголна еднакворабна призма со раб 1cm има плоштина на обвивката:

Висината на рамностран конус со радиус на основата r е:

Колку е просторната дијагонала на коцка со раб 2cm ?

Спореди го волуменот на конус со радиус 9cm и висина 30cm со волуменот на цилиндар со радиус 9cm и висина 10cm ?

Дијагоналниот пресек на правилна четиристрана призма е квадрат со плоштина 50cm^2 .Волуменот на призмата е:

Основниот раб на правилна четириаголна пирамида е 10dm , а апотемата е 13dm . Волуменот на пирамидата е:

Димензиите на квадар се однесуваат $5:2:4$, а нивниот збир е 33dm .
Плоштината на квадарот е:

8. Математика - Општо образование

Прашање

Правоаголен триаголник со една катета 3cm а другата катета е за 1cm помала од хипотенузата, ротира околу поголемата катета. Плоштината на добиеното ротационо тело е:

Волуменот на рамностран цилиндар со дијагонала на оскиниот пресек $10\sqrt{2}$ е:

Плоштината на коцка со просторна дијагонала $D = 2\sqrt{3}$ е:

Волуменот на конус со висина 6cm е $128\pi\text{cm}^3$. Плоштината на конусот е:

Плоштината на основата на еден конус е $B = 54\text{cm}^2$, а паралелниот пресек што е на растојание $H_1 = 8\text{cm}$ од врвот има плошина $B_1 = 24\text{cm}^2$. Колку е висината H на конусот?

Плоштината на правилен тетраедар со раб $\sqrt[4]{3}$ е:

Просторната дијагонала на коцка со плошина 2400cm^2 е:

Висината на потсечена четириаголна пирамида со страни 6cm , 12cm и апотема 5cm е:

Колку литри вода собира цилиндричен сад со дијаметар на основата 4dm и висина 30cm ?

Волуменот на триаголна пирамида со меѓусебно нормални бочни рабови со должини 3cm , 4cm , 5cm е:

8. Математика - Општо образование

Прашање

Основата на права четириаголна пирамида е правоаголник со димензии 6cm и 8cm , бочниот раб 13cm . Колку е волуменот на пирамидата?

Дијагоналата на правоаголниот паралелопипед со рабови 3, 4 и 5 е:

Аголот 30° запишан во радијани е:

Во кој квадрант е аголот $\alpha = -130^\circ$?

Кој од следните идентитети е основен тригонометриски идентитет?

Која од дадените пропорции е синусна теорема?

Нека a, b, c се страните и α, β, γ соодветните спротивни агли во триаголникот ABC . Тогаш важи равенството:

Запиши го во степени аголот $\frac{\pi}{12}$.

Како синусна теорема е познато равенството:

Ако за триаголникот ABC се дадени a, b и β , тогаш аголот α може да се пресмета од:

Ако за триаголникот ABC се дадени b, c и α , тогаш:

Аголот 27° запишан во радијани е:

8. Математика - Општо образование

Прашање

Во кој квадрант е аголот $\alpha = 280^\circ$?

Која од функциите има иста вредност како и $\cos 67^\circ$?

може да биде: $\sin \alpha$

Во кој квадрант е аголот $\alpha = \frac{29\pi}{6}$?

Нека $\frac{\pi}{2} < \alpha < \pi$. Најди ја вредноста на $\cos \alpha$, ако $\sin \alpha = \frac{1}{3}$.

изрази го со тригонометриска функција од остар агол. $\sin 288^\circ$

е: $\sin 120^\circ$

Колку е страната a на триаголникот ABC , ако $b = 3\text{cm}$, $c = 4\text{cm}$ и $\alpha = 45^\circ$?

е еднакво на: $\text{ctg}(180^\circ + \alpha)$

Вториот крак на аголот $\alpha = 932^\circ$ во координатната рамнина се наоѓа во:

? Колку е $\cos 120^\circ$

и $\cos \alpha = -\frac{1}{3}$, тогаш $90^\circ < \alpha < 180^\circ$ е: $\sin \alpha$

8. Математика - Општо образование

Прашање

Изразот $A = a^2 \sin 90^\circ - a \cos 180^\circ - \operatorname{tg} 0^\circ$ упростен е:

и Ако $\operatorname{tg} \alpha = -\sqrt{3}$, тогаш $270^\circ < \alpha < 360^\circ$ е: $\operatorname{ctg} \alpha$

е: $\operatorname{tg} \frac{5\pi}{3}$

Колку е плоштината на правоаголен триаголник со катета $a = 16\text{cm}$ и еден од аглие 45° ?

ако аголот $\sin \alpha \cos \alpha > 0$ е во: α

Ако триаголникот ABC има страни $a = 12$, $b = 12$ и $c = 5$, тогаш:

Нека $\frac{\pi}{2} < \alpha < \pi$. Најди ја вредноста на $\sin \alpha$ ако $\cos \alpha = -0,6$?

изрази го со тригонометриска функција од остар агол. $\sin 150^\circ$

Колку е плоштината на рамнокрак правоаголен триаголникот ABC со хипотенуза $c = 6\text{cm}$?

Колку е плоштината на триаголникот ABC , ако $a = 5\text{cm}$, $c = 8\text{cm}$, ?
 $\beta = 30^\circ$

Колку е плоштината на паралелограмот $ABCD$, со страни 10cm и 8cm и агол меѓу нив 30° ?

8. Математика - Општо образование

Прашање

Колку е висината на рамнокрак трапез, ако дијагоналата на трапезот е 6cm , а аголот што таа ги зафаќа со поголемата основа е 60° ?

Изразот $(1 - \sin\alpha) \cdot (1 + \sin\alpha)$ упростен е:

Нека $\frac{\pi}{2} < \alpha < \pi$. Најди ја вредноста на $\text{tg}\alpha$, ако $\cos\alpha = -\frac{15}{17}$?

Упростен изразот $(\text{tg}\alpha + \text{ctg}\alpha)^2 - (\text{tg}\alpha - \text{ctg}\alpha)^2$ е:

Ако за триаголникот ABC , $a = 3\sqrt{2}$, $\alpha = 30^\circ$ и $\beta = 45^\circ$, тогаш станата b е:

Триаголник има страни 5, 6 и агол меѓу нив 120° . Третата страна на триаголникот е:

Во правоаголен триаголник спроти катетата со должина 30cm лежи агол од 60° . Радиусот на опишаната кружница е:

Страната c на ΔABC со страни $a = 2$, $b = 2\sqrt{3}$ и агол $\gamma = 30^\circ$ е:

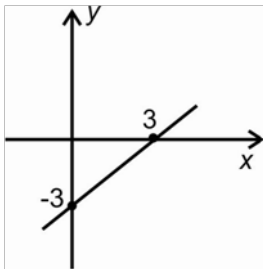
Третата страна на триаголникот ABC , со $a = 5$, $c = 7$, $\beta = 60^\circ$ е:

изрази го со тригонометриска функција од остар агол. $\text{tg}\frac{11\pi}{6}$

8. Математика - Општо образование

Прашање

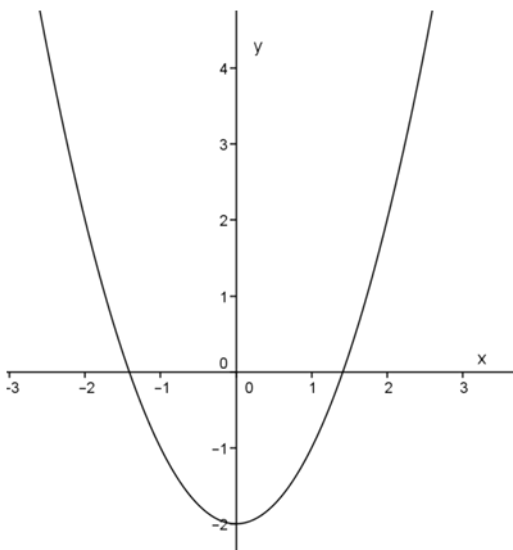
За која од линеарните равенки со две непознати е даден е графикот?



Висината на триаголникот е 4 пати поголема од неговата основа. Плоштината на триаголник е $168m^2$. Кој број е најблиску до должината на основата?

Ако $a > 0$ и $c < 0$, тогаш графикот на функцијата $f(x) = ax^2 + c$ е:

Кои се нулите на функцијата дадени со график?



8. Математика - Општо образование

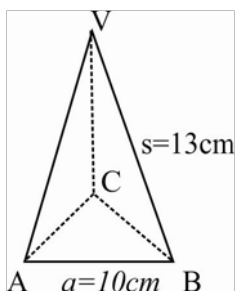
Прашање

Даден е графикот на $f(x) = -2x^2$. Множеството вредности на функцијата е:

На цртежот е даден графикот на функцијата $f(x) = ax^2 + c$. Одреди ги знаците на коефициентите на a и c .

Реши ја квадратната неравенка $x^2 + x - 6 < 0$. Користи го дадениот график на функцијата $f(x) = x^2 + x - 6$.

Плоштината на правилна тристрана пирамида дадена на цртежот е:



Системот линеарни равенки еквиалентен на системот:

$$\begin{cases} (x-4)^2 + 2y = (x-2)(x+2) \\ \frac{x}{2} - \frac{y}{3} = x \end{cases} \text{ e}$$

Равенката $3x^2 + bx + 12 = 0$ има реални корени. Кои се можните вредности на b ?

Дадена е квадратната равенка $ax^2 + bx + c = 0$ со една променлива. Со користење на методот дополнување до полн квадрат, кој е последниот чекор за да се добие формулата за пресметување на корените на квадратна равенка со една променлива?

8. Математика - Општо образование

Прашање

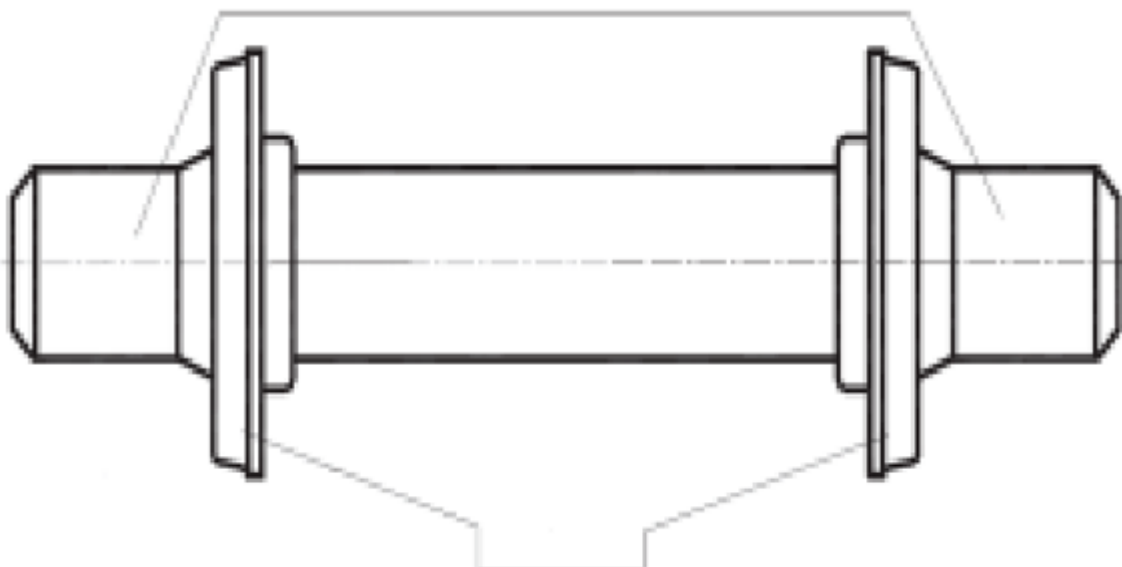
Равенствата кои ја даваат врската меѓу нулите и коефициентите на квадратната равенка се викаат:

9. Машински елементи со механика - Стручно образование

Прашање

Машинските елементи кои служат како носители на други елементи кои прават кружно или осцилаторно движење и пренесуваат вртежен момент од еден елемент поставен на нив до друг елемент, се викаат:

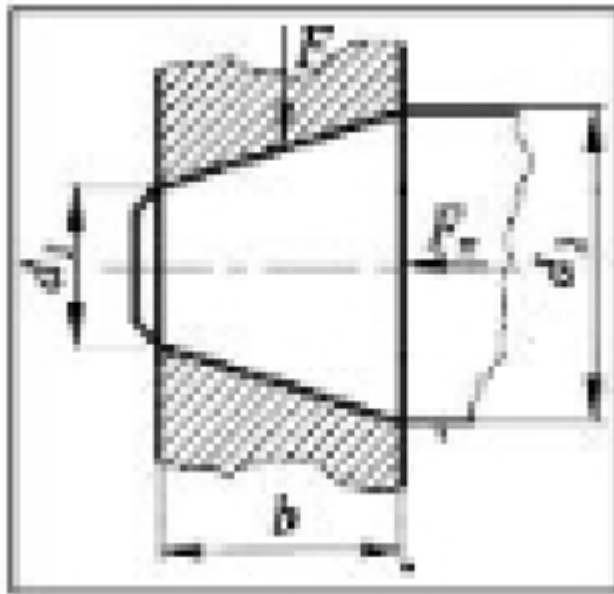
На следната слика е прикажан изгледот на:



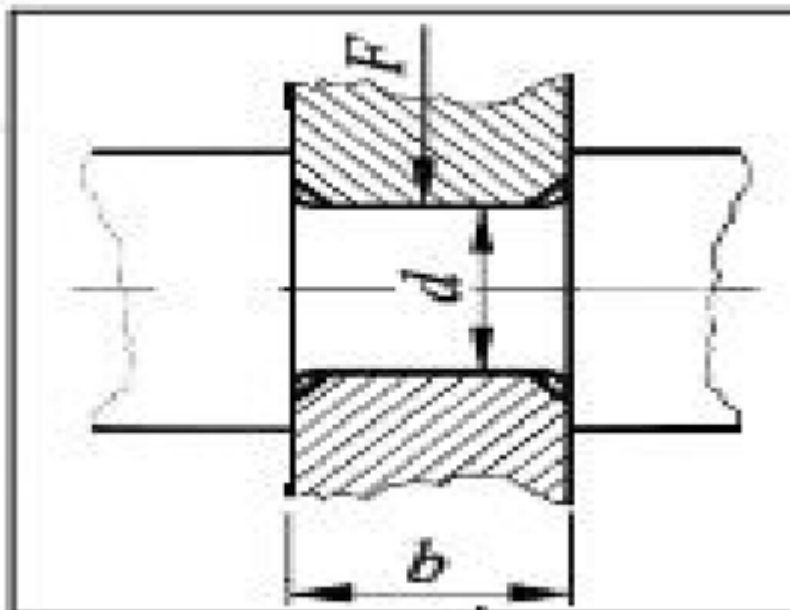
9. Машински елементи со механика - Стручно образование

Прашање

На следната слика е прикажан конструктивниот изглед на:



На следната слика е прикажан следниот вид на ракавец:

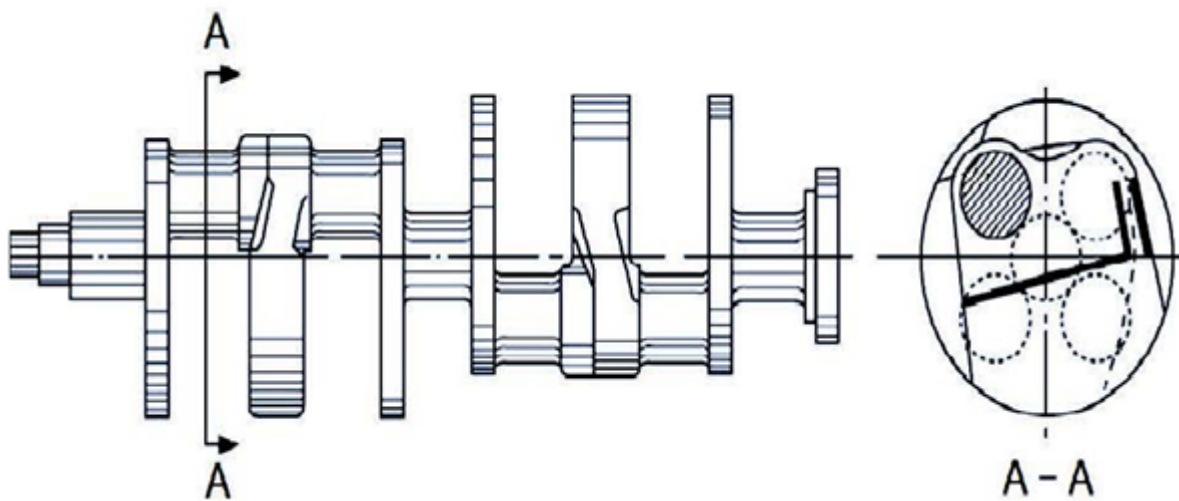


9. Машински елементи со механика - Стручно образование

Прашање

Во зависност од намената оските можат да бидат:

На следната слика е прикажан конструктивниот изглед на:



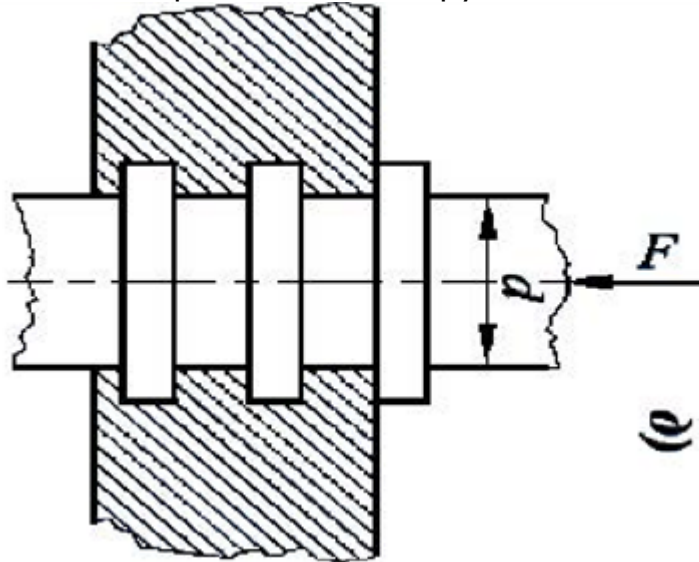
На следната слика е прикажан конструктивниот изглед на:



9. Машински елементи со механика - Стручно образование

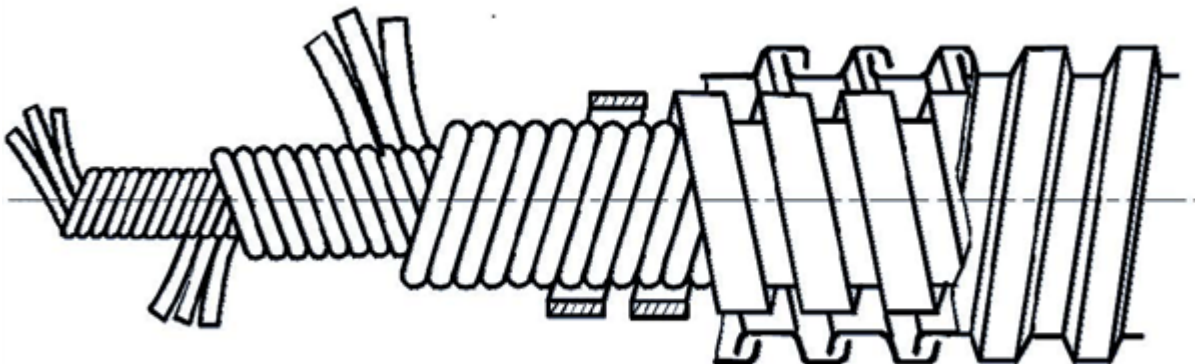
Прашање

На следната слика е прикажана конструктивната изведба на:



Според местоположбата на ракавецот постојат:

На сликата е прикажана конструктивната изведба на:



Во зависност од конструкцијата оските можат да бидат:

9. Машински елементи со механика - Стручно образование

Прашање

Вратилото кое се применува кај тешките машини, редукторите и машините со голема моќност е:

Деловите од оските и вратилата со кои тие се потпираат врз лежиштата, се викаат:

Примарна обработка за изработка на вратила со сложен облик е:

Во зависност од големината на напрегањата што се јавуваат кај нив, вратилата се делат на:

Ако вратилото се пресметува само на усукнување, станува збор за:

Напрегањето што го предизвикува вртежниот момент што го пренесува вратилото претставува:

Напрегањето кај оските што се јавува како резултат на сопствената тежина на оската и елементите што се поставени на оската претставува:

Ракавците кај кои што силата на оптоварување е нормална на оската на ракавецот претставуваат:

Напрегањето на свиткување што се јавува кај вратилото е предизвикано од:

9. Машински елементи со механика - Стручно образование

Прашање

Ракавците кои се применуваат најчесто кај оски кои осцилираат и вратила кои значително се деформираат при свиткувањето, се викаат:

Оските кои се изложени на умерени оптоварувања се изработуваат од:

Димензиите на ракавецот, неговиот дијаметар и неговата должина се определуваат според:

Со поставување на поголем број на гребени кај гребенестите ракавци се зголемува:

Цилиндричните аксијални ракавци најчесто се користат на места каде што дејствуваат:

Лесните вратила се димензионираат според:

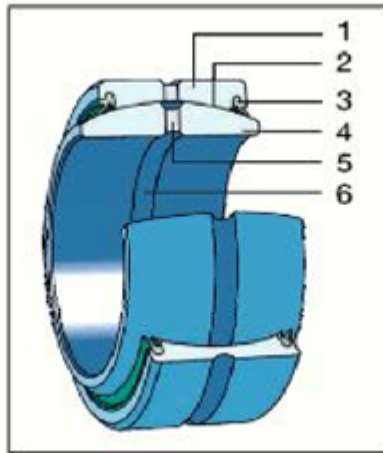
Димензионирањето на оските се прави според:

Напрегањето кај оските кое се јавува како резултат од триењето во ракавците е:

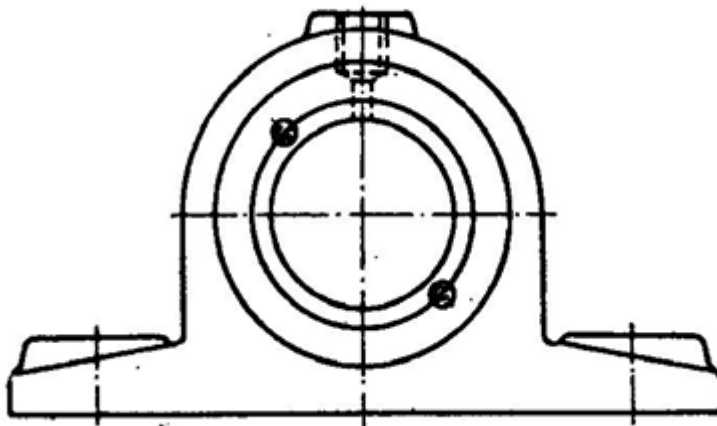
9. Машински елементи со механика - Стручно образование

Прашање

На следната слика е прикажан изгледот на :



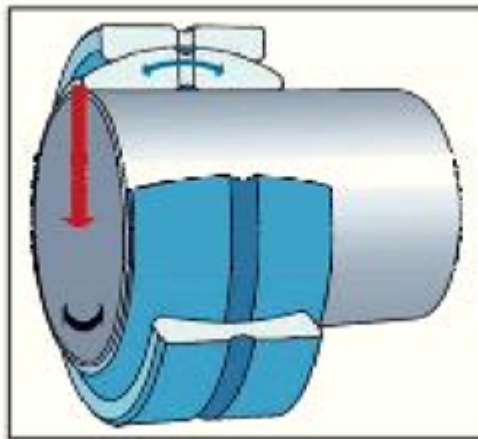
На следната слика е прикажана конструктивната изведба на:



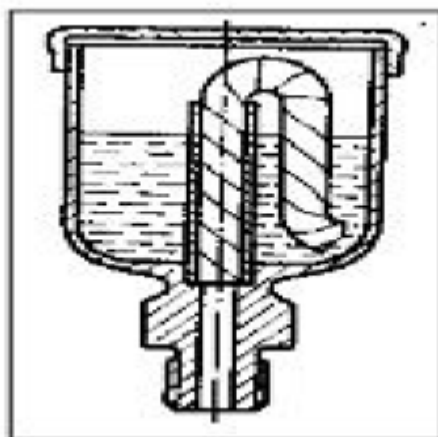
9. Машински елементи со механика - Стручно образование

Прашање

На следната слика е прикажана конструктивната изведба на :



На следната слика е прикажана конструктивната изведба на :



Аксијалните лежишта со тркалање се составени од следните делови:

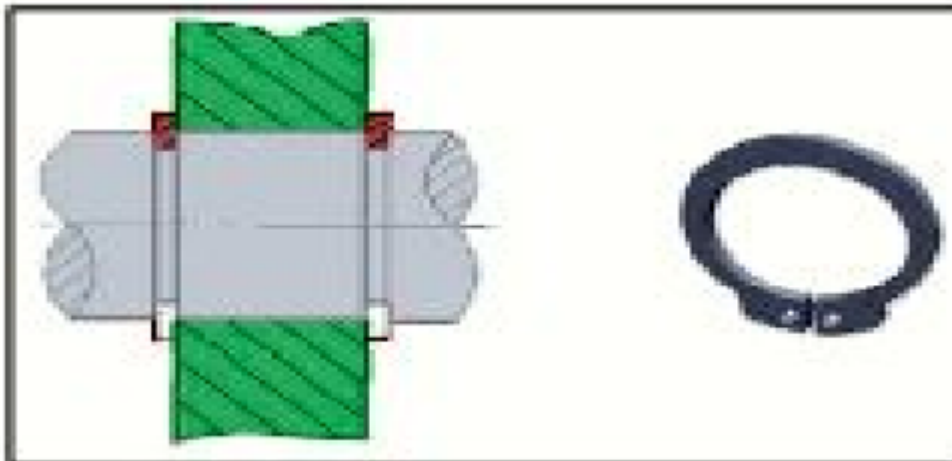
9. Машински елементи со механика - Стручно образование

Прашање

На сликата е прикажана конструктивната изведба на:



На сликата е прикажан начинот на прицврстување на внатрешниот прстен кај лежиштата со тркалање со:



Кај лежиштата со лизгање се јавува:

Кај едноделните лежишта со лизгање телото и постелката се изработени од:

9. Машински елементи со механика - Стручно образование

Прашање

Најважен составен дел кај лежиштата со тркалање се:

Најважен составен дел кај лежиштата со лизгање е:

На сликата е прикажан начинот на затнување на лежиштата со употреба на:



Основната ознака при одбележување на лежиштата со тркалање содржи:

Лежиштата со тркалање се избираат од таблици според:

Според силите кои што дејствуваат врз вратилата и оските, лежиштата можат да бидат:

Триењето кое што се јавува при пуштањето и запирањето на лежиштето, кога ракавецот директно се трие со постелката е :

Цилиндричните валчести лежишта се применуваат главно за прифаќање на:

9. Машински елементи со механика - Стручно образование

Прашање

Дворедните аксијални лежишта примаат:

Лежиштата со тркалање кои работат со поголем број на вртежи се подмачкуваат со

Лежиштата кои можат да примаат и аксијални и радијални сили се викаат :

Позитивни карактеристики на лизгачките лежишта се :

Подмачкувањето со маслена када за лежишта со тркалање се врши кај хоризонтални вратила при број на вртежи до:

Центрифугалното затнување на лежиштата се применува кај лежишта кои работат со брзини поголеми од:

Показатели за оштетено лежиште се :

Белиот метал кој се употребува како материјал за изработка на постелката кај лизгачките лежишта претставува легура на:

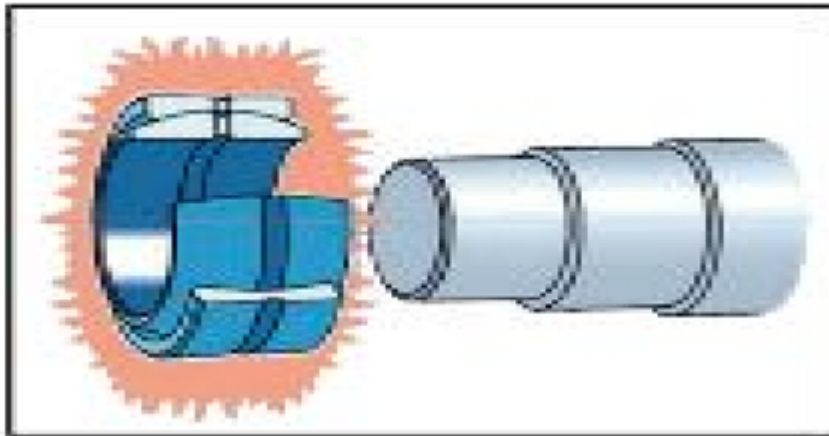
За поголеми оптоварувања со променлива насока се применуваат:

Најчесто прицврстувањето на лежиштата со лизгање се изведува со:

9. Машински елементи со механика - Стручно образование

Прашање

На сликата е прикажан начинот на монтажа на лежиштата со лизгање со:



За затнување на лежиштата при нивното подмачкување со маст ,за работни температури до 80°C се користат:

Подмачкувањето на лежиштата со впрскување на масло под притисок се врши со:

Затнувањето на лежиштата кое може да се изведе со допир се врши со :

Ознаката на второ место за радијалните тркалачки лежишта ни го означува :

Бел метал е легура од калај,бакар,олово и антимон, која се применува за изработка на постелката кај лизгачки лежишта кои работат со брзини до :

Кај лежиштата со лизгање, ако се е правилно монтирано а постелката сепак брзо се троши, во тој случај треба да се провери

9. Машински елементи со механика - Стручно образование

Прашање

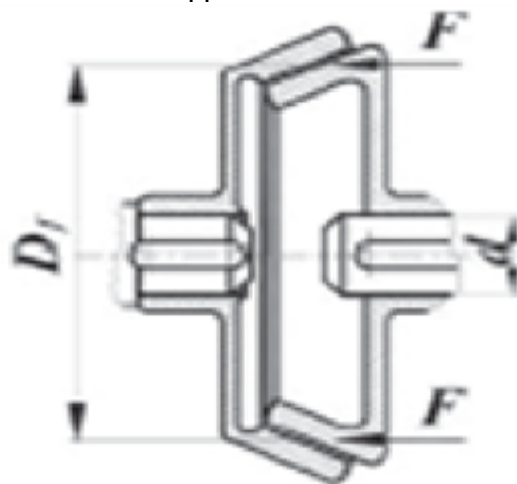
Спојката со прирабница спаѓа во групата на:

На сликата е прикажан конструктивниот изглед на:



Во групата на исклучно-вклучните самоуправувани(автоматски) спојки спаѓаат:

На сликата е прикажан изгледот на:



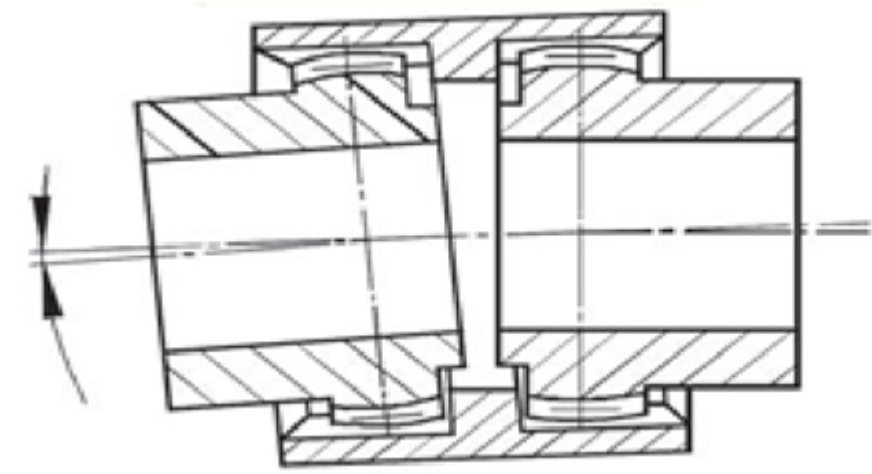
9. Машински елементи со механика - Стручно образование

Прашање

На сликата е прикажан конструктивниот изглед на:



На сликата е прикажана изведба на:



Поделбата на спојките на механички, хидраулични, пневматски и електромагнетни е извршена според:

Спојувањето на двете половинки кај спојката со прирабница се врши со:

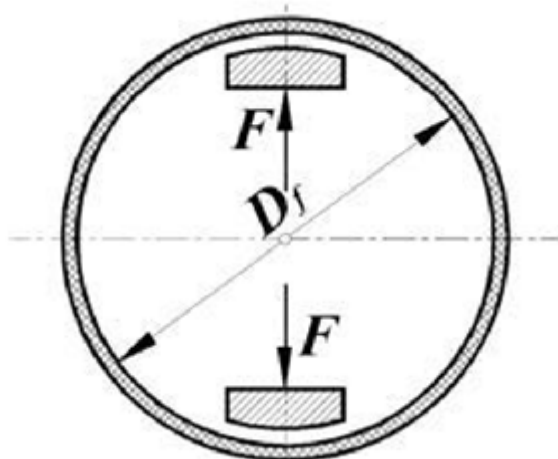
Еластичните спојки се делат на:

9. Машински елементи со механика - Стручно образование

Прашање

Фрикционите спојки работат на принципот на:

На следната слика е прикажана конструктивната изведба на:



Крутите компензациони спојки спојуваат:

Постепеното вклучување и исклучувањето во текот на работата е карактеристика на :

Спојките кои што работат на принцип на триење што овозможува пренесување на вртежниот момент од погонското на работното вратило се:

Ако спојката поврзува вратила со различни дијаметри, пресметките на спојката се вршат според:

Кога половинките од спојката се споени, спојката е вклучена и врши пренесување на:

9. Машински елементи со механика - Стручно образование

Прашање

Спојките кои овозможуваат рачно исклучување или исклучување и вклучување на спојката во текот на работата спаѓаат во групата на:

Спојките кои овозможуваат ублажување на нерамномерностите кои се јавуваат во текот на работата на машината се викаат:

Притисната сила која е потребна за обезбедување на доволно триење на допирните површини кај конусната фрикциона спојка се обезбедува со:

Спојките кои се вклучуваат и исклучуваат при промена на вртежниот момент се викаат:

Непрекинатото пренесување на вртежниот момент во текот на работата и неможноста да се прекине врска меѓу вратилата во текот на работата е карактеристика на:

Прицврстувањето на спојките најчесто се врши со:

Големата аксијална сила потребна за исклучување на спојката, поради големото триење што се јавува меѓу канците и триењето помеѓу подвижната половина и вратилото е карактеристична за:

9. Машински елементи со механика - Стручно образование

Прашање

На сликава е прикажана



За да се изврши повторно вклучување на обликните спојки, потребно е:

Главен недостаток на канџестата исклучна спојка е тоа што за нејзино исклучување е потребна:

Вклучувањето и исклучувањето на центрифугалната спојка се врши автоматски при:

Пресметката на деловите на спојката се врши според:

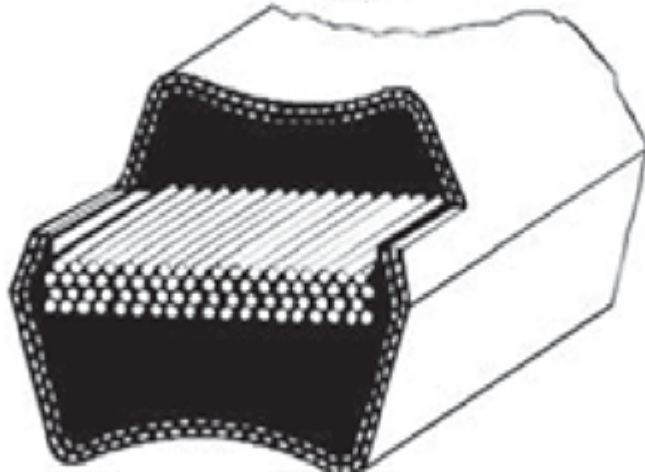
Ремените преносници во зависност од преносниот однос може да бидат:

Кај ремениците се разликуваат следните делови:

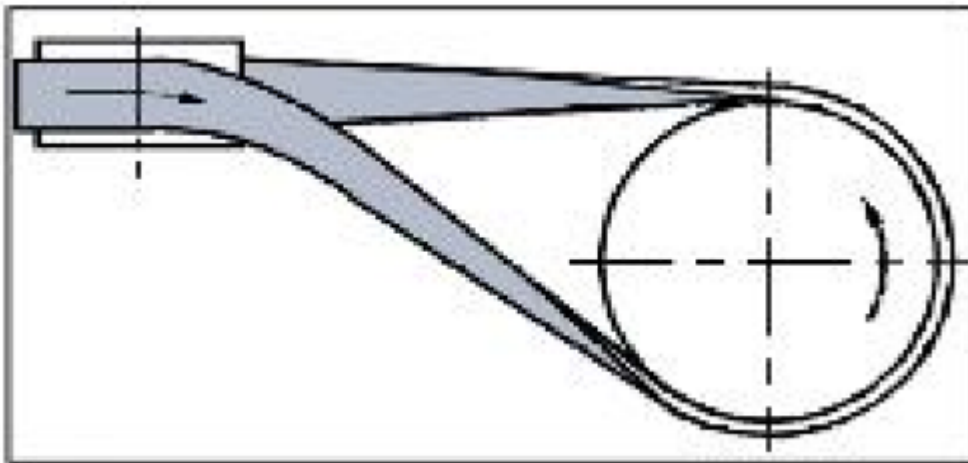
9. Машински елементи со механика - Стручно образование

Прашање

На сликата е прикажан изгледот на :



На сликата е прикажан конструктивниот изглед на :

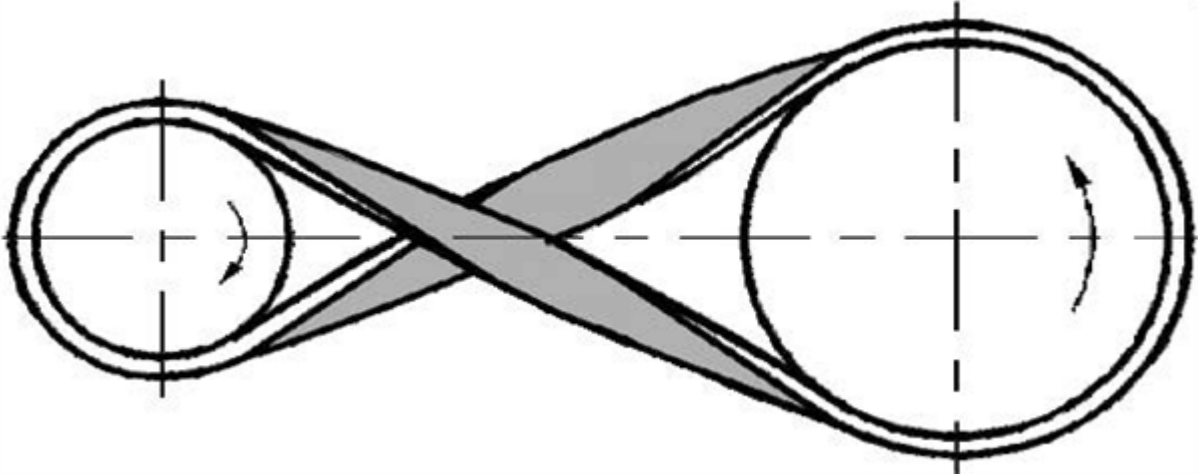


Делот од ременот кој од работната ременица наидува на погонската ременица и кој е повеќе затегнат се вика:

9. Машински елементи со механика - Стручно образование

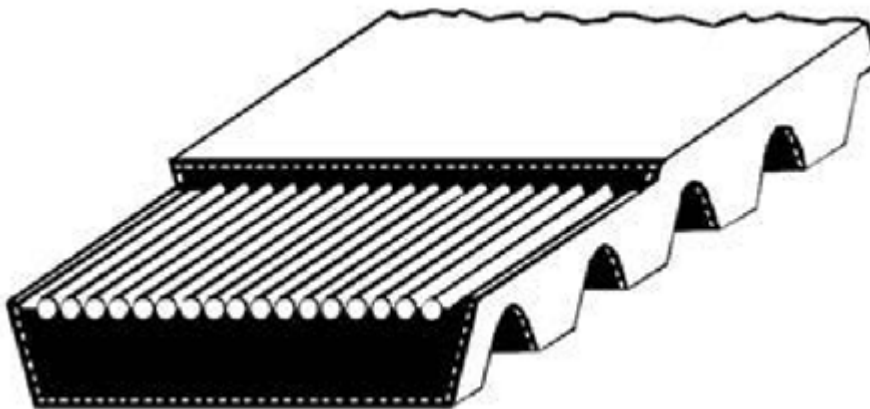
Прашање

На следната изведба е прикажана конструктивната изведба на:



Клинестите ремени се изработуваат од:

На следната слика е прикажан изгледот на:



Кај паралелните вратила кои се вртат во иста насока се применува:

9. Машински елементи со механика - Стручно образование

Прашање

Силата која се јавува како последица на кружното движење на ременот околу ременицата и која настојува да го одлепи ременот од ременицата и со тоа да го намали притисокот помеѓу ременот и ременицата се вика:

До триење меѓу честиците од ременот доаѓа поради следните напрегања:

Ремените преносници кои работат со променлив преносен однос се викаат:

Сврзувањето на плоснатите ремени може да се изведе со:

Обликот на венцот на ременицата кај ременските преносници зависи од:

Напоните кои се јавуваат како резултат на обвиткувањето на ременот околу ремениците претставуваат:

Можност за вклучување и исклучување на преносот без симнување на ременикот дава:

Кај паралелните вратила кои се вртат во спротивна насока се применува:

Кај вкрстениот ременски преносник, поради вкрстувањето на ременот потребно е широчината на ременот да биде помала од широчината на ременот кај отворен преносник при исти услови за:

Ремените преносници работат со периферни брзини до:

9. Машински елементи со механика - Стручно образование

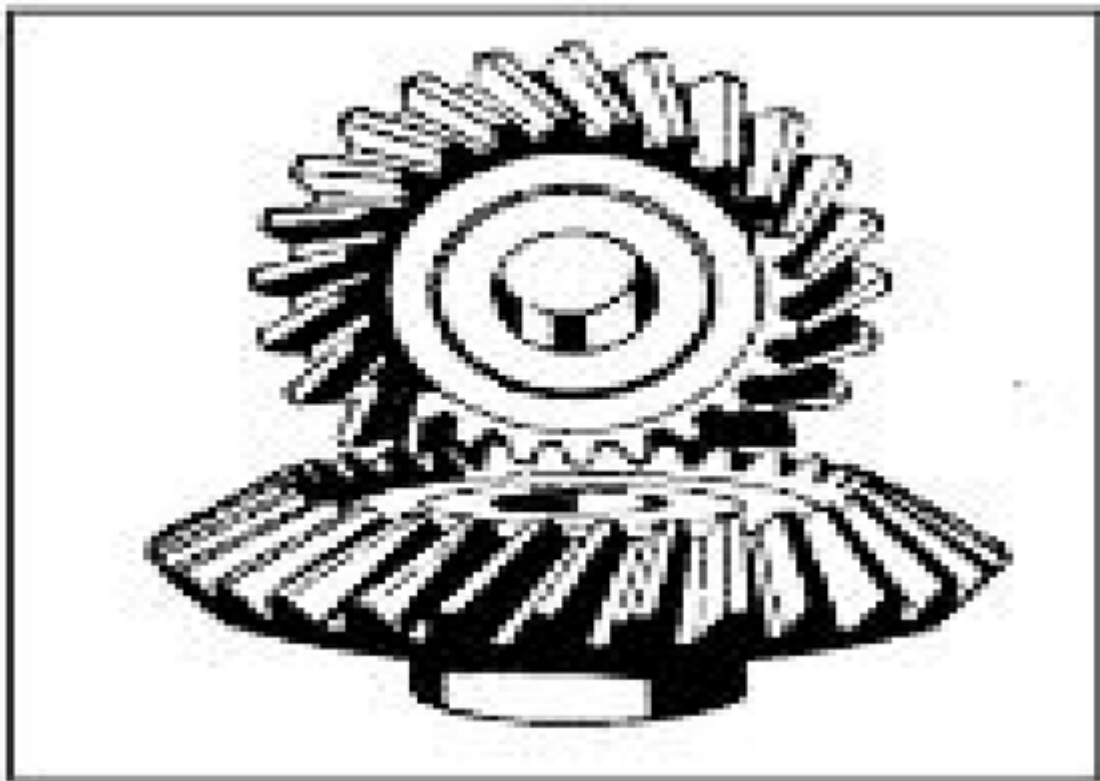
Прашање

Полувкрстениот ременски преносник се применува за:

Со затегнување на ременот врз ремениците, на допирната површина се создава сила на триење F_{μ} , која што сила овозможува делот од ременот што се наоѓа врз погонската ременица да има:

Факторот на лизгање „ μ “ кај ремените преносници има вредност која се движи во границите од :

На сликата се прикажани:



9. Машински елементи со механика - Стручно образование

Прашање

Поделбата на запчениците на запченици со прави запци, со коси запци, со стреловидни запци и запченици со криви запци е направена според:

Запчениците по својата височина се ограничени со:

Лачното растојание од делителниот круг помеѓу две исти точки на два соседни запци се вика:

Изложеноста на поголемо триење и трошење, помал степен на искористување, помирна работа речиси без удари и шум, се карактеристики на:

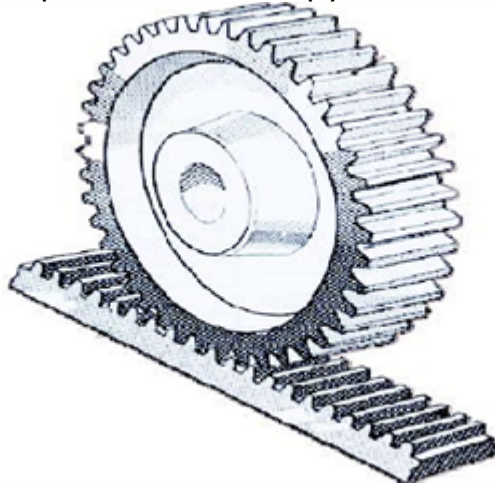
Кога изгледот на полжавот е конусен, а полжавестиот запченик е конусно глобиден, станува збор за:

Поделбата на запчениците на челични, дрвени, пластични, комбинирани и запченици од сив лив, е направена според:

9. Машински елементи со механика - Стручно образование

Прашање

На следната слика е прикажана конструктивната изведба на:



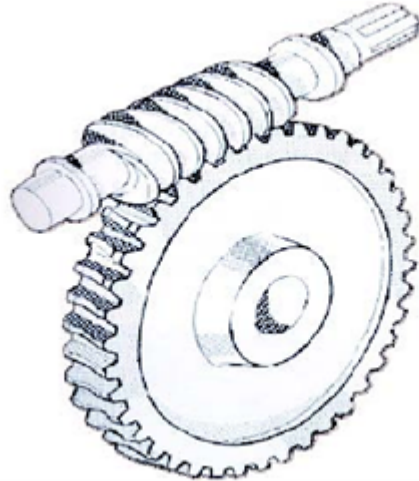
Барањето на голема точност при изработката, потребата од специјални машини и алати за нивна изработка, појавата на вибрации и шум при работата на преносникот, повисока цена за нивна изработка и неможноста за заштита од преоптоварување, се негативни карактеристики на:

Цилиндричниот запчест пар, кој се состои од два запченика кои се со надворешно назабување и кои при работата се вртат во различна насока претставува:

9. Машински елементи со механика - Стручно образование

Прашање

На следната слика е прикажана конструктивната изведба на:



Профилот на запците кај запчениците може да биде:

Запченикот се состои од следните составни елементи:

На следната слика е прикажан конструктивниот изглед на:



9. Машински елементи со механика - Стручно образование

Прашање

Поделбата на запчениците на цилиндрични запчести парови за вратила кои се паралелни, конусни запчести парови за вратила кои се сечат и хиперболоидни запчести парови за вратила кои се разминуваат е направена според

Запчестите преносници кои имаат улога да го зголемуваат бројот на вртежи од погонската машина се викаат:

За два запченика велиме дека се во спрега ако:

Кај вратилата чии што оски се разминуваат, се користат :

Запченикот на кој се пренесува движењето се вика:

Кај затворените преносници поставени во куќишта, кои работат со брзини поголеми од 15 m/s, се применува подмачкување со:

Запчестите преносници кои имаат функција да го намалуваат бројот на вртежи се викаат:

Изборот на материјал за изработка на запците зависи од

Отворените запчести преносници се подмачкуваат со :

Кршењето на правите запци настанува по :

Полжавестите преносници се применуваат за :

9. Машински елементи со механика - Стручно образование

Прашање

Малите запченици чиј дијаметар на подножниот круг е помал за 1,6 пати од дијаметарот на вратилото се изработуваат:

Начинот на изработка на запченикот зависи од:

Контактниот притисок што се јавува помеѓу запците е причина за да дојде до :

Зголемениот зјај меѓу запците на запченикот настанува поради:

Комбинацијата на запченик-запчеста летва се користи за:

Пренесуваат големи оптоварувања, имаат голем степен на искористување, се користат за големи преносни односи(од 8 до 500), имаат тивка и безшумна работа, бараат точна и прецизна изработка и монтирање, се дел од карактеристиките на:

Замената на маслото кај запчестите преносници се прави на секои:

Главата на забецот кај запченикот се наоѓа:

Преносниот однос на повеќестепениот преносник е однос помеѓу бројот на вртежи на:

Макарите кои ја менуваат својата положба во текот на работата се:

Макарите се составени од три дела и тоа:

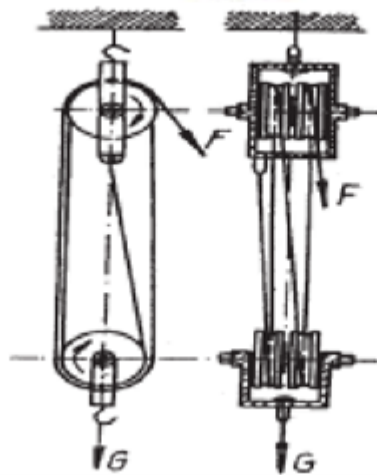
9. Машински елементи со механика - Стручно образование

Прашање

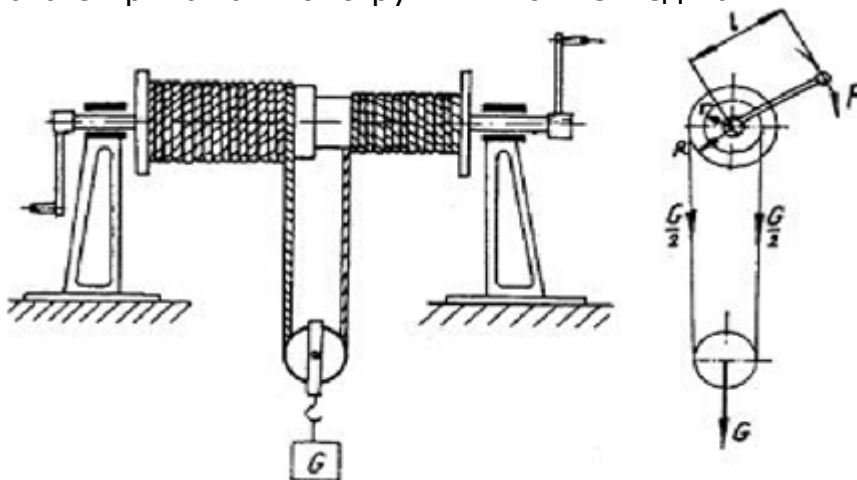
Макарите можат да бидат изработени со:

Загубите на енергија кои се јавуваат кај макарите поради триењето во лежиштата се поголеми кога се употребуваат:

На сликата е прикажан:



На сликата е прикажан конструктивниот изглед на :



9. Машински елементи со механика - Стручно образование

Прашање

Макарите кои не се движат во текот на работата, односно стојат на определено место, спаѓаат во групата на :

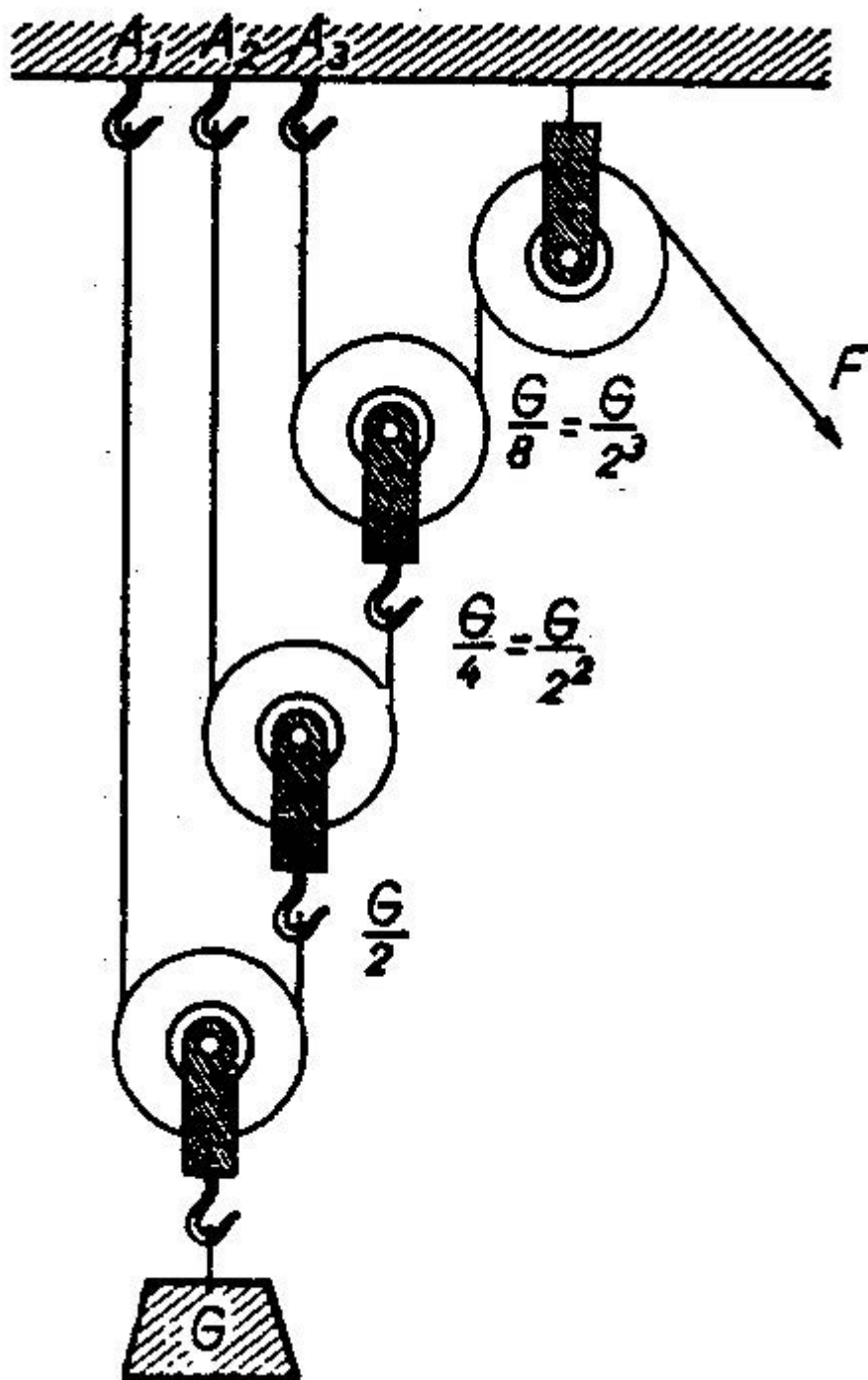
Страните на жлебот на венецот на макарата се изработени под агол од :

Системот составен од повеќе макари се вика :

9. Машински елементи со механика - Стручно образование

Прашање

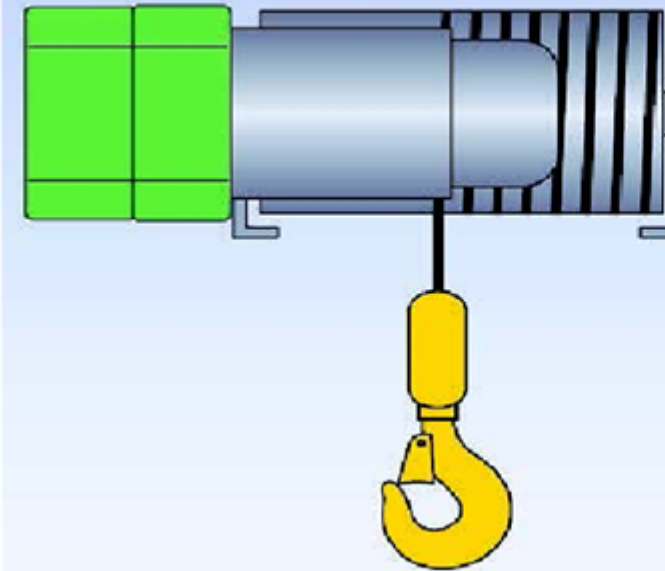
На следната слика е прикажана конструктивната изведба на



9. Машински елементи со механика - Стручно образование

Прашање

На следната слика е прикажана конструктивната изведба на :



Со неподвижната макара само се

Кај неподвижните макари, ако се занемари триењето силата F е:

Кај подвижните макари за подигнување на товар со тежина G , потребна е сила чија јачина е:

Силата на подигнување на товарот кај обичното витло ќе биде за онолку пати помала колку што пати радиусот на барабанот ќе биде:

Диференцијалното витло се состои од вратило на кое се поставени:

9. Машински елементи со механика - Стручно образование

Прашање

Кога полжавот во системот полжав-полжавесто тркало е еднооден, со едно негово завртување полжавестото тркало се завртува за:

На јажето кое е поставено на макарата дејствуваат:

Витлото претставува уред кој се состои од:

Механизмот кој се состои од двострана неподвижна макара поставена на иста оска и од подвижна макара преку која е префрлено бескрајно јаже се вика:

Подмачкувањето на макарите овозможува :

Поради замор на материјалот на јажето и неговото абење, се јавува:

Најголемо влијание врз интензитетот на корозијата што се јавува кај јажињата има:

Барабанот кај витлото се користи за претворање на:

Отпорите кои се јавуваат при работата на макарата се:

Кај архимедовиот макарен механизам, силата која дејствува на јажето е за:

Силата на подигнување на товарот кај диференцијалниот макарен механизам е толку пати помала колку што е:

9. Машински елементи со механика - Стручно образование

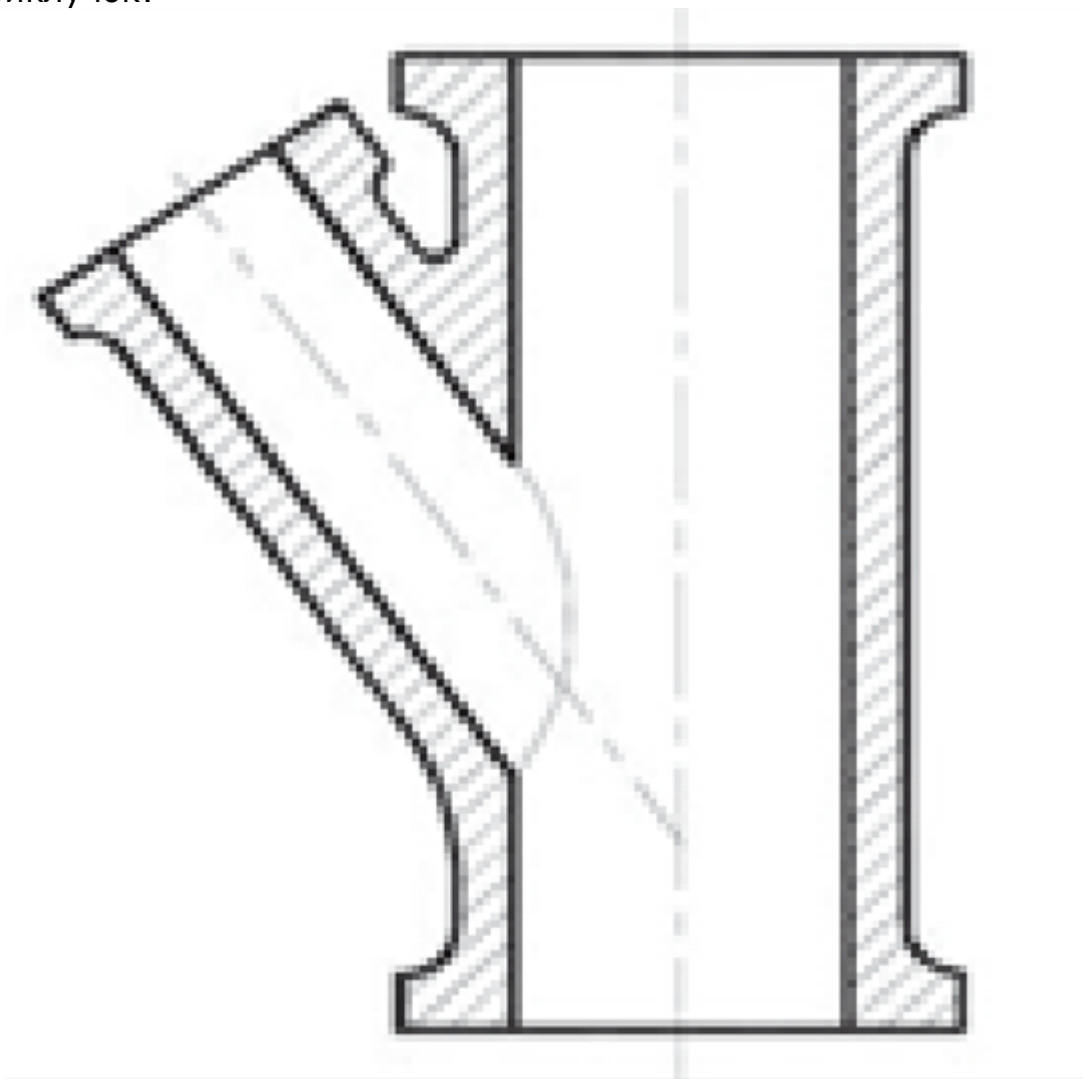
Прашање

Повеќе сврзани цевкини водови формираат:

Цевките кои се изработуваат со валање или извлекување со мали димензии од 3 до 10 мм, се изработуваат од следниот материјал

Леаните цевки се сврзуваат со:

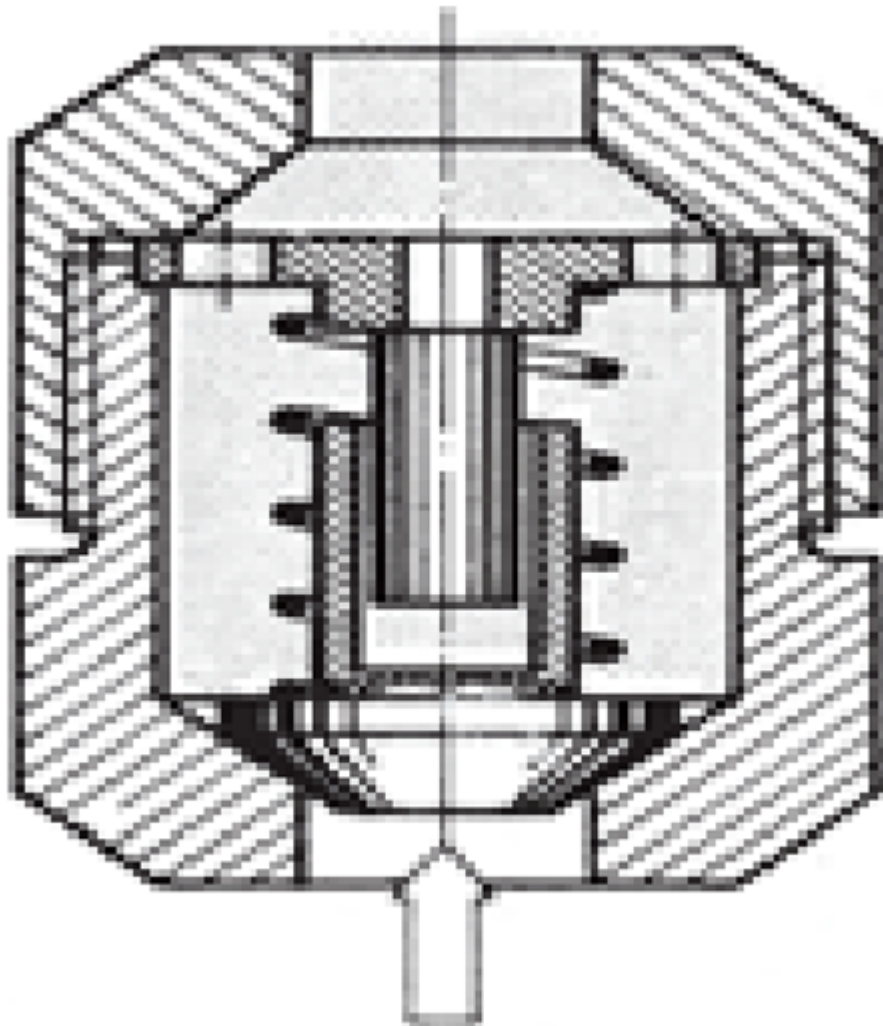
На сликата е прикажан конструктивниот изглед на следниот цевкин приклучок:



9. Машински елементи со механика - Стручно образование

Прашање

На сликата е прикажан конструктивниот изглед на :



Безрабните челични цевки се изработуваат со:

Цевките се машински елементи кои се изработуваат со:

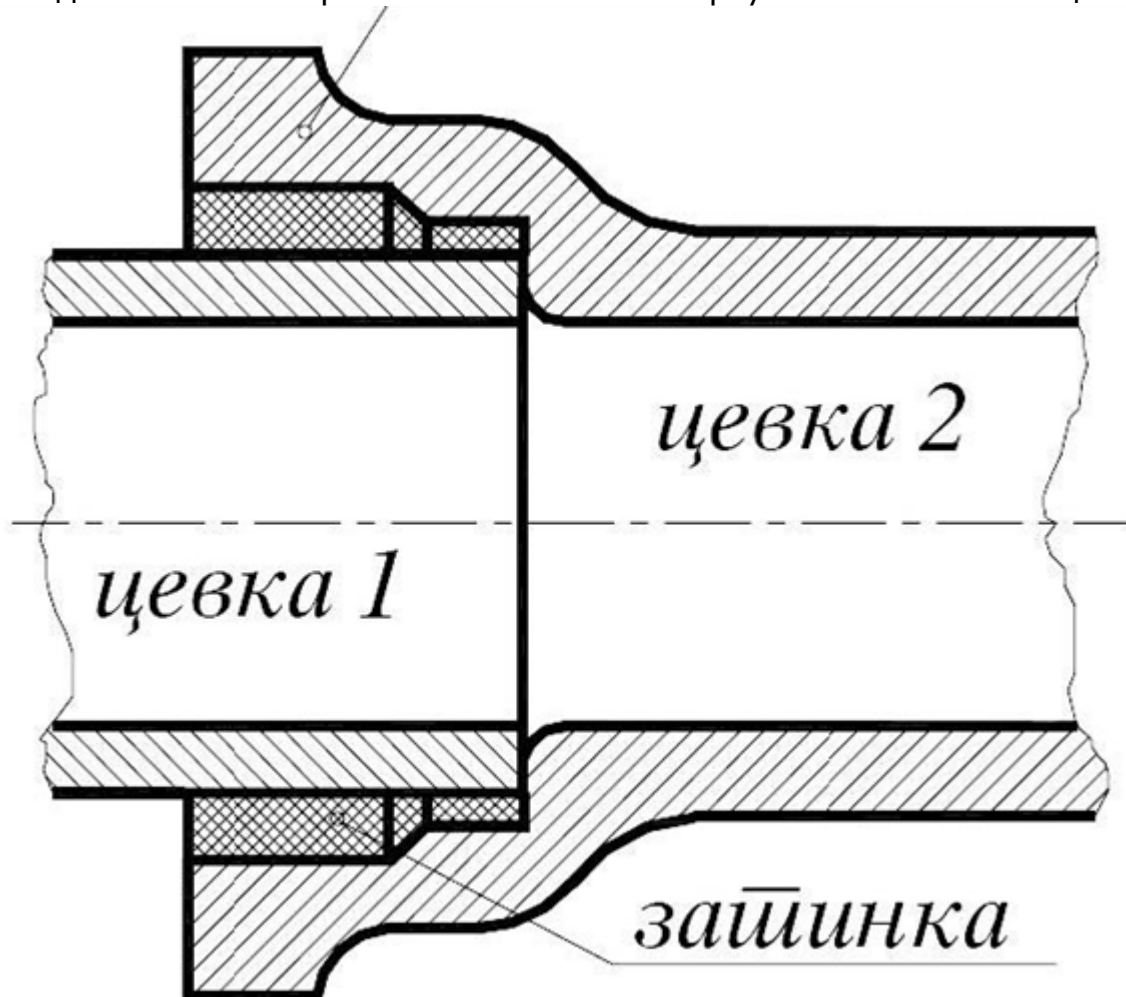
Неметалните цевки можат да бидат изработени од:

Рабните цевки се изработуваат со:

9. Машински елементи со механика - Стручно образование

Прашање

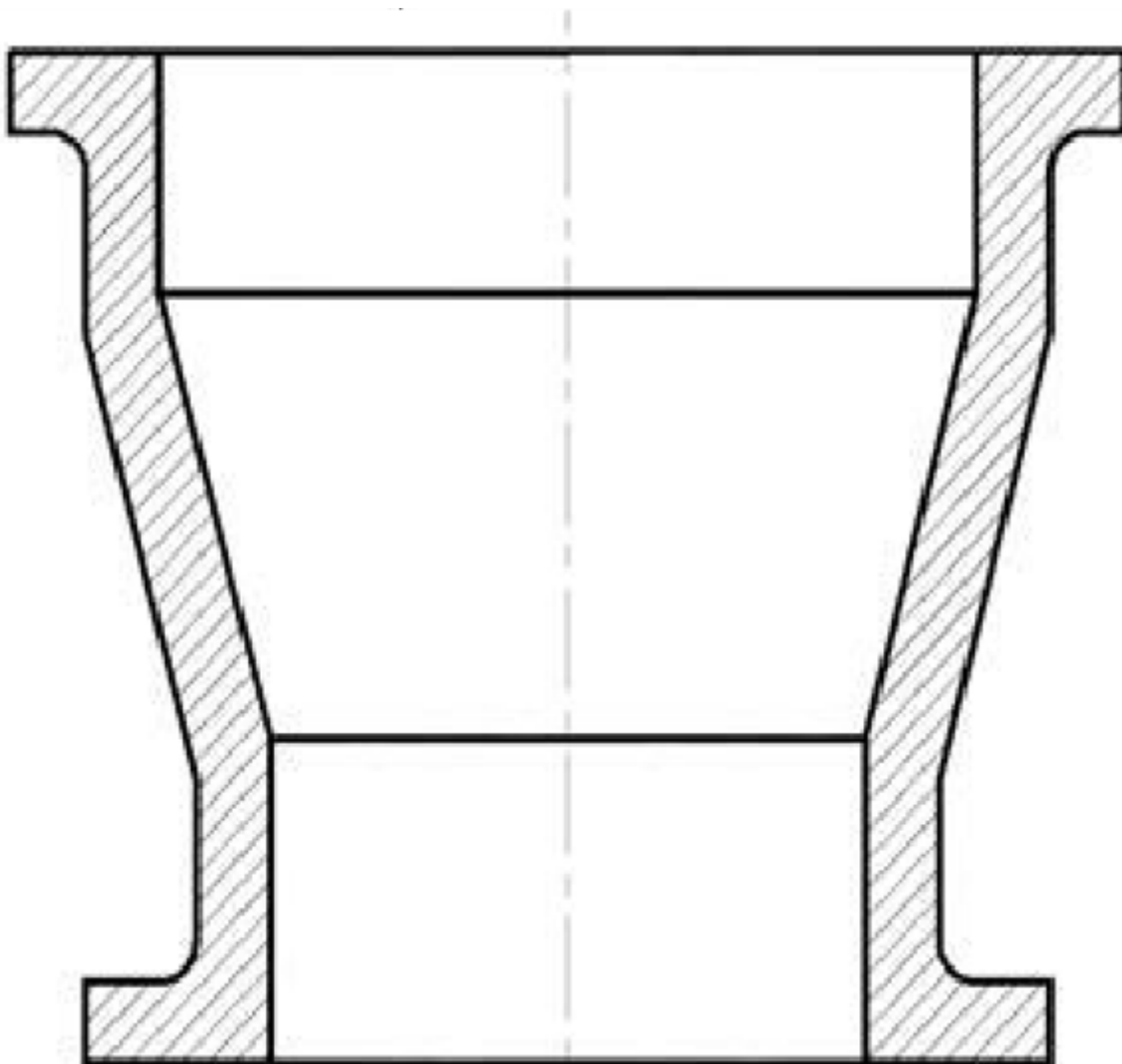
На следната слика е прикажан начинот на сврзување на леаните цевки со:



9. Машински елементи со механика - Стручно образование

Прашање

На следната слика е прикажан конструктивниот изглед на следниот цевкин приклучок:



Цевкиниот приклучок кој што служи за промена на водот за 90° е:

9. Машински елементи со механика - Стручно образование

Прашање

Машинските елементи кои служат за регулирање на протокот во цевкините водови или негово потполно затворање се:

Најмал отпор од сите видови на цевкини затворачи се јавува кај:

Уредите кои се применуваат за регулирање и затворање на големи протоци кај главните водови на водоводите, нафтоводите и слично се:

Елементите во цевкиниот вод кои што служат за промена на правецот на флуидот и негово разделување на повеќе места спаѓаат во групата на:

Цевкините приклучоци кои се користат за сврзување на цевки кои се користат за притисоци до 1 МРа се изработуваат од:

Приклопките како елементи се користат во цевкини мрежи кои работат со:

За да се постигне подобро затнување со приклопките кај цевкините инсталации, нивното сопирно тело се обложува со:

Уреди во цевкината инсталација кои се применуваат на места каде не е неопходно целосно прекинување на протокот се:

Сврзувањето на цевките со големи дијаметри кои пренесуваат флуиди со големи притисоци се прави со:

9. Машински елементи со механика - Стручно образование

Прашање

Врската при сврзувањето на цевките може да биде:

Уреди кои се користат за компензирање на издолжувањето и скусувањето на цевкините водови кои настануваат како резултат на промената на температурата се:

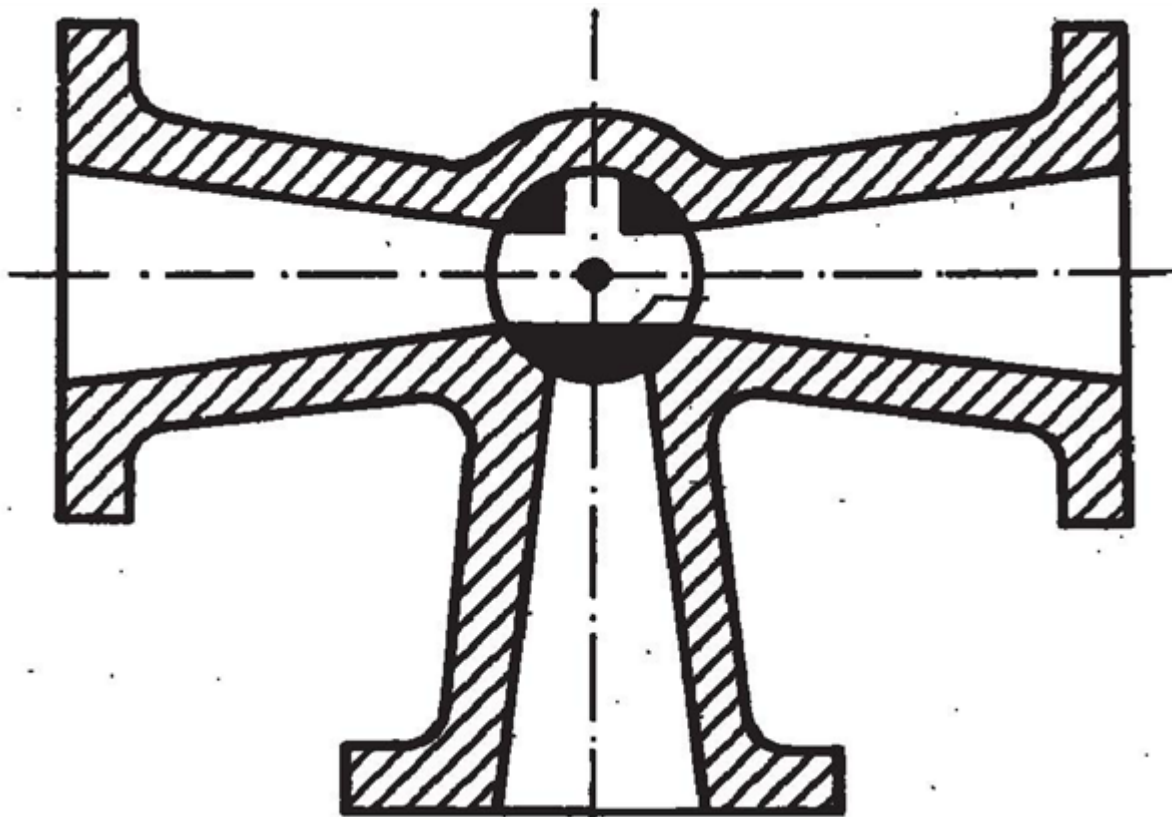
Сигурносниот вентил кај цевкината инсталација се вклучува кога доаѓа до:

Сложената конструкција и изработка, тешката достапност за нивно одржување, појавата на големо триење и абење при нивното отворање и затворање, се негативни карактеристики на:

9. Машински елементи со механика - Стручно образование

Прашање

Начинот на поставеност на затвораот кај трикраката славина прикажана на сликата, ни покажува дека славината е:



Најмал отпор на струење од сите видови на цевкини затвораи се јавува кај:

10. Руски (Втор странски јазик) - Општо образование

Прашање

Всем советуем спать на удобную...

10. Руски (Втор странски јазик) - Општо образование

Прашање

Каждый из нас любит фрукты. Мой сын любит...

Сегодня мы всем классом идём в театр смотреть„Евгений Онегин“.

В воскресенье они идут в обедать.

Я часто хожу на стадион смотреть игры „Вардара“ потому что я...

Сегодня мы идем на стадион смотреть...

Я хочу пойти в музей, поэтому должна купить...

Боря закончил экономический факультет. Кем он работает?

Хоккей-это...

Ночь увеличивается, а день уменьшается. На деревьях листья желтеют и падают . Какое это время года?

Летом каждый человек старается одет

Два раза в неделю я иду в библиотеку и там я занимаюсь, читаю книги. Где находится читальный зал?

Полотенце висит в.....

10. Руски (Втор странски јазик) - Општо образование

Прашање

На спектакле он стоит и смотрит на

Из овощей тебе больше всего нравятся...

Подчеркни слово которое здесь не связано со спортом.

Аночка на хотела есть суп , потому что не могла найти...

Чтобы звонил кому-нибудь, тебе нужен

Из Загреба Катя летела в Скопье на...

Когда льёт сильный дождь, нам надо брать....

Александр любит свою сиамскую кошку Алису. Сиамская кошка это...

Какими должны быть лётчики?

Завтра выходные дни. Мои друзья и я пойдём в спортивный зал смотреть.....

У ёлки есть...

Где покупаем десерт?

10. Руски (Втор странски јазик) - Општо образование

Прашање

Какое из внизу наведённых глаголов в неопределённой форме?

Заокружите глагол в неопределенной форме.

Я завтра думаю что всё время...

У.....есть брат и сестра.

Как правильно пишется порядковое числительное 3?

Определите глагол в прошедшем времени.

Ваш двор очень

Моя сестра, отец и мама работают

Куда.....бегают по вечерам?

На стадионе играют футбол.Сколько в вашей команды

В универсальном магазине я и подруга купили себе.....

Учительница не верила

Вертолёт машины.

10. Руски (Втор странски јазик) - Општо образование

Прашање

Игорь ехал в Красноярск с родителями. Задай вопрос к слову родителями.

Дай ответ. Мой брат родился.....

Мы.....на берегу Преспанского озера.

Каждый день мы умываемся и

Мы с братом каждый день ходим в

Зинаида прочитала роман. Она пошла в библиотеку..... её.

Все девочки нашего класса собрались у дома.

Л.Н. Толстой родился 1828 года.

На перемене все студенты вышли во двор. В аудотии не было....

Девушка пришла к.....

Мира перед магазином.

Она на витрину.

Папа и мама работать.

10. Руски (Втор странски јазик) - Општо образование

Прашање

Мы долго разговаривали.....

.....мои родители увидели мою подругу.

Женщина выглядит.....своих лет.

После уроков мы на автобусе.

При знакомстве мы говорим ...

Попроси друга помочь тебе решить задачу!

Как правильно поздравить друга с именинами?

Что пожелаешь твоим родителям на Новый год?

Как мы приветствуем друг друга утром?

Спроси у незнакомого как дойти до метро.

Ты вошёл в магазин. Продавец обращается.

Друзья решили встретиться в центре города. Встреча должна быть в десять часов. Иван позвонил по телефону и попросил извинение.

Поздравь Нину с днём рождения?

10. Руски (Втор странски јазик) - Општо образование

Прашање

Пётру нужна помошь. Я радо помогу ему.

Что пожелаешь твоей девушке на новый год?

В любой парикмахерской вымоют волосы и сделают причёску. Как попросите парикмахера?

Ответ отрицательно. Она приехала из Ермении.

Я вижу что вы очень много курите. Советую....

Ваши друзья уезжают в Казахстан. Вы расстаетесь с ними, что им скажете?

Наташа первый раз опаздывает на работу. Смущенно спустила голову и сказала....

На прощание с товарищами мы говорим:

Телефон звонит по ошибке. Что ты скажешь?

Доктор ответил на благодарность пациента. Как?

Фильм который смотрел Дмитрий, не понравился особенно ему. Вырази согласие

Моника Селеш известная теннисистка думает, что надо больше времени уделять на развлечения . Вырази согласие.

В хлебном магазине обращаешься продавцу...

10. Руски (Втор странски јазик) - Општо образование

Прашање

Ответьте утвердительно. Можешь ли ты играть в прятки?

Ответьте отрицательно. Можешь ли ты играть с нами в теннис?

Тебя приглашают в гости. Ты радо пойдёшь. Как скажешь?

Мама и я долго смотрели на свои фотографии. Одно поняла я – что нужно одеваться скромно, соответственно возрасту. Как нужно одеваться?

Доминик студент. Он приехал из Португалии в Македонию. Он программист и сейчас изучает язык, слушает кассеты, переводит слова.
Что изучает Доминик?

Доминик студент. Он приехал из Португалии в Македонию. Он программист и сейчас изучает язык, слушает кассеты, переводит слова.
Кем был Доминик?

Олина приехала с отдыха. Она нам сказала что отдыхала на море. Ей там было очень приятно. Где была она?

Филип не успел войти в автобус, поэтому решил пойти пешком до школы. на занятиях пришёл поздно, шёл второй урок. Почему не успел прийти на первый урок?

Владимир хотел ехать на автобус, но заметил что у него нет билета в кармане. Что у него нет?

10. Руски (Втор странски јазик) - Општо образование

Прашање

Как и многие , я тоже боюсь высоты , особенно когда шатаются под ногами камни. Мне как- то неприятно становится. Поэтому решил дальше не идти, а вернуться назад. Чего боялся мальчик.

Мария рисует море. По морю плывёт пароход, а над морем, высоко в небе, летит самолёт. Этот рисунок Мария должна показать учителю. Кому Мария должна показать рисунок?

Мария рисует море. По морю плывёт пароход, а над морем, высоко в небе, летит самолёт. Этот рисунок Мария должна показать учителю. Что Мария рисует?

Мария рисует море. По морю плывёт пароход, а над морем, высоко в небе, летит самолёт. Этот рисунок Мария должна показать учителю. Что плывёт по морю?

Младен Цветнович, машинист самого первого поезда Белград – Бар. Эму оказал доверие, тайным голосованием коллектив железнодорожников, первым провести поезд по новой дороге. Кто первый провёл поезд?

Младен Цветнович, машинист самого первого поезда Белград – Бар. Эму оказал доверие, тайным голосованием коллектив железнодорожников, первым провести поезд по новой дороге. Каким голосованием?

10. Руски (Втор странски јазик) - Општо образование

Прашање

Младен Цветнович, машинист самого првог поезда Белград – Бар. Ему оиказал доверие, тајним гласованием колектив железнодорожников, првим провести поезд по новој дороге.
Кто указал доверие?

Горан хороши ученик, но из-за недисциплины учитель был вынуждён поставит ему единицу. Почему Горан получил единицу?

Вчера было воскресенье. Мы все отдыхали. Только Вовка был в цирк. Сегодня мы опять отправляемся в школу. Какой сегодня день?

Как понимаешь пословицу – „В закрытый рот не влетают мухи“.

На нашем рынке много продуктов. Из деревень привозят большое количество свежего молока, вкусного сыра, творог, хорошего мяса и другого разного товара. Это всё для городского населения. Откуда привозят всё что продаётся на рынке?

На нашем рынке много продуктов. Из деревень привозят большое количество свежего молока, вкусного сыра, творог, хорошего мяса и другого разного товара. Это всё для городского населения.

Какие продукты продают на рынке?

В Универсальном магазине маленькая девушка потерялась. Она обратилась к охраннику службы безопасности помочь ей найти выход.
К кому обратилась девочка?

10. Руски (Втор странски јазик) - Општо образование

Прашање

В Универсальном магазине маленькая девушка потерялась. Она обратилась к охраннику службы безопасности помочь ей найти выход. Что она хотела найти?

Из Белграда в Москву мы ехали ...

В моём не было ни одной копейке.

Что обозначает слово тропинка?

Раз в неделю мы пообедем ...

Моя бабушка и дедушка это

У кого можно узнать есть ли свободный стол в ресторане?

Где ключ от?

Наша школа находится на улице ...

Подчёркнутое слово в предложении: Атанас прислал из Китая письмо, обозначает:

Определи неопределённую форму глагола.

10. Руски (Втор странски јазик) - Општо образование

Прашање

Подчёркнуто слово в предложении: Сегодня отправляемся в школу, обозначает:

Заокружите глагол в прошедшем времени.

Он стоит в коридоре и разговаривает.

Я хочу, вы прочитали эту книгу.

Цветы погибли долго не било дождя.

Его имя Алексей, имя отца Сергей, отчество будет

Ответьте на вопрос отрицательно. У вас есть младшие братья и сёстры?

Николай хочет узнать который час. Вырази это.

Каким словами поздравляемся в праздничный вечер – встреча Нового года?

Как спросишь у прохожего какое сегодня число?

Ты пьёшь каждое утро кофе? Ответь положительно.

Я хотел бы остановиться в этой гостинице. Есть ли у вас свободные номера? Ответь положительно.

Маша вошла в кондитерскую купить булочки. Как сказала продавцу?

10. Руски (Втор странски јазик) - Општо образование

Прашање

Дуня выходит замуж? Спрашивает подруга Дуни. Ответь положительно.

Мой друг Ваня и я решили совершить лыжную прогулку на Ленинские горы. Надели лыжные костюмы, шапочки, на спортивной базе взяли лыжи и лыжные ботинки. Куда пошли друзья?

Мой друг Ваня и я решили совершить лыжную прогулку на Ленинские горы. Надели лыжные костюмы, шапочки, на спортивной базе взяли лыжи и лыжные ботинки.
Что они надели?

Анна идёт по улице. Она занята своими мыслями и никого не замечает. Чем Анна занята?

Анна идёт по улице. Она занята своими мыслями и никого не замечает. Замечает ли она кого-нибудь?

Среди высоких гор, в глубокой древней котловине, которая находится на южной границы Македонии, притаилось сказочное зеленовато-лазурное озеро которое называется Охридское озеро.
Какое это озеро?

10. Руски (Втор странски јазик) - Општо образование

Прашање

Среди високих гор, в глубокой древней котловине, которая находится на южной границы Македонии, притаилось сказочное зеленовато-лазурное озеро которое называется Охридское озеро.
Среди каких гор и какой котловине находится Охридское озеро?

Положено спать.....

Из фруктов мой сын любит.....

День увеличивается. На деревьях появляются зелёные листья, какое это время года?

Зимой все одевают....

Меня интересует автор этой книги, поэтому читаю её.
Где находится читальный зал?

В театре я стою и смотрю на

Из овощей больше ты любишь....

Какое слово здесь не связано со спортом?

Как называется столица России?

10. Руски (Втор странски јазик) - Општо образование

Прашање

Оля не могла есть суп, потому что не могла найти...

Когда ты хочешь звонить, тебе нужен.....

Имя дочери Наталия, а имя отца Николай. Образуйте отчество Наталии.

Из Белграда Катарина летела в Москву на.....

Когда льёт дождь, мы собой берём.....

Мои родители работают в.....

Куда.....ходит по утрам?

Сколько в вашей команде?

Сегодня подруга купила себе.....

Самолёт....., чем поезд.

Мы не верили....

Алёша был в Волгограде с подругой. Задай вопрос к слову подругой.

10. Руски (Втор странски јазик) - Општо образование

Прашање

Ответь правильно. Мой отец родился.....

Они.....на берегу Черного моря.

Утром надо умываться и

Я и мой брат каждый день ходим в школу.....

Галина прочитала книгу и пошла в библиотеку.....

У дома все очень любят читать.

Он родился 1992 года.

Все ученики во время перемены вышли во двор. В классе не было....

Молодой парень пришёл к.....

..... вы увидели молодую девушку.

Он выглядит.....своих лет.

Володя был с мамой. Поставь вопрос к слову с мамой!

После занятий мы на метро.

Студенты сидят в

10. Руски (Втор странски јазик) - Општо образование

Прашање

По тротоару шли.....

Ивану надо помочь. Ты радо ему поможешь.

Спроси у прохожего, как дойти до Третьяковской галереи.

К тебе в магазине обращается продавец.

Алёша и его друг решили встретиться. Он назначил встречу в 10 часов утра, но позвонил по телефону и попросил извинение.

Как поздравишь Веру с Рождеством?

Обычно в каждой парикмахерской можно вымыть голову и сделать причёску. Как попросите парикмахершу?

Ответьте отрицательно: Он приехал из Польши.

Виктория опоздала на занятие. Она должна извиниться преподавателю. Вырази это?

Ваню пригласили в гости. Он радо хочет пойти. Как выразить это?

Наши соседы уезжают в Узбекистан. При расставании, что им скажете?

10. Руски (Втор странски јазик) - Општо образование

Прашање

Петр Николаевич опоздал на работу. Что должен сказать?

Когда прощаемся с друзьями мы говорим:

Тебе звонят по телефону по ошибке. Что ты скажешь?

Пациент после операции благодарит доктора. Как выразит это?

Как ответил доктор на благодарность?

Димитар смотрел фильм, но не понравился ему. Вырази свое несогласие с ним.

Слово „Дорогой“ вырази

Володя входит в Парикмахерской. Как выразишь?

Саша до школы шёл пешком. В школу пришёл поздно, был уже второй урок. Почему он не пришёл на первый урок?

Сегодня смотрела свои фотографии. Я поняла – что одеваться надо скромно, соответственно возрасту! Как надо одеваться?

Эрик новый ученик в классе. Он приехал из Испании. Он программист и сейчас изучает язык, слушает кассеты, переводит слова, а говорит медленно. Что изучает Эрик?

10. Руски (Втор странски јазик) - Општо образование

Прашање

Вера сказала, что она отдыхала прекрасно, что санаторий хороший. Где была Вера?

Мама, сын и дочка едят за покупками в магазин. Сыну купили видео камеру, дочки фломастеры, а мамы джинсы. Оказалось что „на вашей кредитной карточке ничего нет“. Что значит выражение „на кредитной карточке ничего нет“?.

Музыкальная карьера Ирины развивалась. Она объездила с гастролем многие города России, Белоруссии и Казахстана. В ноябре Ирина выступила в Лужниках на церемонии вручения премии. Чем занимается Ирина?

Музыкальная карьера Ирины развивалась. Она объездила с гастролем многие города России, Белоруссии и Казахстана. В ноябре Ирина выступила в Лужниках на церемонии вручения премии. В какой стране выступает Ирина?

Книга находится.....

Сегодня праздник в семье. Дочь первый раз идёт в школу. Почему в семье сегодня праздник?

Брат грустный потому что не идёт в школу. Он ещё маленький. Почему брат грустный?

Мы ходили по лесу целый день. Устали и решили переночевать в лесу. Что решили ребята?

10. Руски (Втор странски јазик) - Општо образование

Прашање

Мать крестьянка. Она и её сын жили в деревне. Как называются жители деревни?

Мария всегда берёт с собой мобильный телефон. Когда ходит в кино или в театр, не берёт его. Когда у Марии нет телефона?

Ваня и Пеце сообщили одну новость. Они поедут в гости к Нине в Крым. Кто поедет в Крым?

Семья Григория всегда обедает ровно в час. Во сколько часов семье обед?

Владо замечает что у него в кармане нет билета. Что должен он сделать?

11. Руски (Прв странски јазик) - Општо образование

Прашање

Студенты закончили педагогический факультет. Кем они сейчас работают?

Какое из данных слов обозначает день в неделе?

Какое из данных слов обозначает дикое животное?

Какое из данных слов обозначает фрукты?

11. Руски (Прв странски јазик) - Општо образование

Прашање

Какое из данных слов обозначает овощи?

Какое из данных слов обозначает мясные продукты?

Боря закончил экономический факультет. Кем он работает?

Ночь увеличивается, а день уменьшается. На деревьях листья желтеют и падают. Какое это время года?

Под каким деревом находятся новогодние подарки?

Дорога с рядами деревьев по обеим сторонам называется...

Когда мы путешествуем мы несём

В школах, университетах преподают...

Лев решил поступить на педагогический факультет. Кем он хочет стать?

Виктория очень любит читать классическую литературу, поэтому она ходит в

11. Руски (Прв странски јазик) - Општо образование

Прашање

Где попуае десерт?

Ваня и Катя поехали в Москву на

Какое слово обозначает транспортное средство для путешествия воздухе?

Из овощей тебе больше всего нравятся...

Какое слово не связано со спортом?

Всем советуем спать на удобную...

Каждый из нас любит фрукты. Мой сын любит...

Сегодня мы идём в театр смотреть, „Евгений Онегин“.

В воскресенье они ходят в обедать.

Я часто хожу на стадион смотреть игры „Вардара“ потому что я...

Сегодня мы идём на стадион смотреть...

Я хочу пойти в музей, поэтому должна купить...

Хоккей-это...

11. Руски (Прв странски јазик) - Општо образование

Прашање

Летом каждый человек старается одеть

Аночка не могла есть суп , потому что не могла найти...

Чтобы снабдиться основными продуктами, надо пойти в....

Подруги договорились вечером пойти в театр. Что они должны купить?

Здание в котором живёт семья Ивановых состоится из трёх этажей. Какое это здание?

Где ты можешь купить одежду?

Наша тётя и дядя живут рядом. Что значит жить рядом?

Хороший нужен спортсменам волейболистам.

Когда льёт сильный дождь, нам надо брать....

Александр любит свою сиамскую кошку Алису. Сиамская кошка это...

Какими должны быть лётчики?

Завтра выходные дни. Мои друзья и я пойдём в спортивный зал смотреть.....

11. Руски (Прв странски јазик) - Општо образование

Прашање

У елки есть...

Подчёркнуто слово в предложении „Книга лежит на столе“ обозначает:

Подчёркнутые слова в предложении: „Зоран переписывается с Мирой“ обозначают:

Какой глагол находится в неопределенной форме?

У.....есть брат и сестра.

Как правильно пишется порядковое числительное 5?

Определите какой глагол находится в прошедшем времени.

Выбери подходящее слово. На скамейке возле сидело несколько мальчиков.

У меня много ...

Каждое утро я ем по одной булочке, а сегодня... две.

Ваш двор очень

11. Руски (Прв странски јазик) - Општо образование

Прашање

На стадионе играют футбол.Сколько в вашей команды

В универсальном магазине подруга купила себе.....

Учительница не верила

Вертолёт машины.

Игорь ехал в Красноярск с родителями. Задай вопрос к слову родителями.

Дай ответ. Мой брат родился.....

Мы.....на берегу Преспанского озера...

Каждый день мы умываемся и

На сцене ни один актёр не как играет свою роль.

Я учусь в первом классе ...

Девушки..... хорошо.

Студенты перестали общаться с.....преподавателем.

..... спектакль тебе нравится?

11. Руски (Прв странски јазик) - Општо образование

Прашање

Сестра моей подруги, выгледит гораздо.....своих лет.

Друзья после обеда в читальном зале.

Ученица ничего не выучила и..... не запомнила.

Это папина комната. Поставь вопрос к подчёркнутому слову.

Моя дочка родилась1995 года.

Автобус едет за.....

У дочери друг. Она часто встречает..... друга вечером.

Подруги часто..... зимние каникулы.

Туристы сидят на

В субботу мы на экскурсию.

Завтра я гимнастику.

Моя сестра девушка в нашем районе.

Что больше любим цирковые представления или книги.

При знакомстве мы говорим ...

11. Руски (Прв странски јазик) - Општо образование

Прашање

Попроси друга помоћ тебе решити тест!

Как правилно поздравити друга с именинами?

Что пожелаеш твоим родителјам на Новый год?

Как мы приветствуем друг друга утром?

Спроси у незнакомого как дойти до метро.

Ты вошёл в магазин. Продавец обращается.

Друзья решили встретиться в центре города. Встреча должна быть в десять часов, но Иван не смог прийти. Он позвонил по телефону и попросил извинение:

Поздравь Нину с днём рождения!

Пётру нужна помощь. Я радо помогу ему. Какими словами предложишь помочь?

Что пожелаеш твоей девушке на новый год?

В книжном магазине вежливо попроси продавца показать книгу.....

Валя и Миша приглашают на спектакль. Вырази согласие.

11. Руски (Прв странски јазик) - Општо образование

Прашање

Какой самый известный театр балета в мире? – спросили балерину. Как она выразила неуверенность?

Попроси продавца показать тебе лыжи.

У мамы новая рубашка. Как ты сделаешь ей комплимент.

Три дня тому назад. Наташа дала обещание бабушке убрать квартиру. Её подруга позвала в кафе, но она отказала ей словами:

Какими словами надо поблагодарить своего преподавателя?

Вам надо доехать до вокзала. Как спросить?

Спроси, как дойти до Третьяковской галереи?

Как пригласите своих родственников к вам в гости?

Брат и сестра договорились пойти на спектакль, но сестра не смогла пойти. Как она извинилась?

Кто-то позвонил тебе по телефону по ошибке. Что ты скажешь?

Дайте отрицательный ответ: Ты прочитал этот журнал?

11. Руски (Прв странски јазик) - Општо образование

Прашање

На аеропорте дочь прощается с родителями. Какими словами выражаются?

Ответ отрицательно. Она приехала из Ермении.

Твои друзья уезжают на поезде в другой город. При расставании, что ты им скажешь?

Ваши друзья уезжают в Казахстан. Вы расстанётесь с ними, что им скажете?

Телефон звонит по ошибке. Что ты скажешь?

Как доктор отвечает на благодарность пациента?

Фильм который смотрел Дмитрий, не понравился особенно ему. Вырази согласие

Моника Селеш известная теннисистка думает, что надо больше времени уделять на развлечения . Вырази согласие.

В хлебном магазине обращаешься продавцу...

Внимание! Сегодня после уроков состоится концерт учеников нашей школы. Приглашаем всех желающих. Какой это текст?

11. Руски (Прв странски јазик) - Општо образование

Прашање

Дорогой друг Виктор. Сегодня вечером я прилетел в Канаду. Здесь очень приятно и мне очень нравится. До встречи. Привет Владимир.
Какой это текст?

Нина любит классический балет и пианино. Чем она занимается в свободное время?

Сегодня молодые любят заниматься спортом, любят играть в шахматы. Надежда тоже любит играть, но она хочет всегда выигрывать. Это значит что она хочет в игре быть.....

Каждое лето Иван и Игорь гостят у бабушки и дедушки в деревне. Где они отдыхают?

Каждый день семья Маши ужинает ровно в восемь часов вечера. Она как и всегда опаздывает на ужин. Что должна знать Маша?

Родители Виктории живут в Киеве, но она их навещает раз в год. Как часто Виктория навещает родителей?

Игорь Иванович сидел в спортивном зале и читал книгу о баскетболе. Соревнование было интересное, но Игорь Иванович ничего не замечал. Он всё время был занят чтением книги. Чем занимался Игорь Иванович в спортивном зале?

Завтра третий класс будет играть с четвёртым классом волейбол. Миша заболел. У него высокая температура. Почему Миша не может играть в волейбол?

11. Руски (Прв странски јазик) - Општо образование

Прашање

Наташа и Лена живут в прекрасной, светлой и уютной квартире. Их комната большая. Слева у стены стоит диван, а над ним полка с книгами. Где находится полка с книгами?

Нина была на прекрасной прогулке. Она с Ваней осматривали памятники Санкт Петербурга. Как она чувствует себя после прогулки?

Мама и я долго смотрели на свои фотографии. Одно поняла я – что нужно одеваться скромно, соответственно возрасту. Как нужно одеваться?

Доминик студент. Он приехал из Португалии в Македонию. Он программист и сейчас изучает язык, слушает кассеты, переводит слова. Что изучает Доминик?

Доминик приехал из Португалии в Македонию. Он программист и сейчас изучает язык, слушает кассеты, переводит слова. Кем был Доминик?

Олина приехала с отдыха. Она нам сказала что отдыхала на море. Ей там было очень приятно. Где была она?

Филип не успел войти в автобус, поэтому решил пойти пешком до школы, на занятиях пришёл поздно, шёл второй урок. Почему не успел прийти на первый урок?

Владимир хотел ехать на автобус, но заметил что у него нет билета в кармане. Что у него нет?

Как и многие, я тоже боюсь высоты, особенно когда шатаются под ногами камни. Мне как-то неприятно становится. Поэтому решил дальше не идти, а вернуться назад. Чего боялся мальчик?

11. Руски (Прв странски јазик) - Општо образование

Прашање

Мария рисуе море. По морю плывёт пароход, а над морем, высоко в небе, летит самолёт. Этот рисунок Мария должна показать учителю. Кому Мария должна показать рисунок?

Младен Цветнович, машинист самого первого поезда Белград – Бар. Ему коллектив железнодорожников, тайным голосованием, оказал доверие первым провести поезд по новой дороге.
Кто первый провёл поезд?

Младен Цветнович, машинист самого первого поезда Белград – Бар. Ему коллектив железнодорожников, тайным голосованием, оказал доверие первым провести поезд по новой дороге. Каким голосованием оказали доверие?

Младен Цветнович, машинист самого первого поезда Белград – Бар. Ему коллектив железнодорожников, тайным голосованием, оказал доверие первым провести поезд по новой дороге.

Кто указал доверие?

Горан хороший ученик, но из-за недисциплины учитель был вынуждён поставить ему единицу. Почему Горан получил единицу?

Вчера было воскресенье. Мы все отдыхали. Только Вовка был в цирк. Сегодня мы опять отправляемся в школу. Какой сегодня день?

Как понимаешь пословицу – „В закрытый рот не влетают мухи“.

11. Руски (Прв странски јазик) - Општо образование

Прашање

На нашем рынке много продуктов. Из деревень привозят большое количество свежего молока, вкусного сыра, творог, хорошего мяса и другого разного товара. Это всё для городского населения. Откуда привозят всё что продаётся на рынке?

На нашем рынке много продуктов. Из деревень привозят большое количество свежего молока, вкусного сыра, творог, хорошего мяса и другого разного товара. Это всё для городского населения. Какие продукты продают на рынке?

Лидия учила брата Виктора считать. У тебя три шоколады и у меня три шоколады. Сколько у тебя и у меня шоколады? Шесть – ответил Виктор и съел шоколады.
Что учила Лидия брата?

Лидия учила брата Виктора считать. У тебя три шоколады и у меня три шоколады. Сколько у тебя и у меня шоколады? Шесть – ответил Виктор и съел шоколады. Брат Лидии учился считать на....

Моя собака Лиза добрая. Все думают, что собаки очень злые. Какое животное Лиза?

Моя собака Лиза добрая. Все думают, что собаки очень злые. Что думают все?

В магазинах выходной день – воскресенье, а в музеях – понедельник. Что такое выходной день?

Наша новая школа, светлая и красивая. Уроки физкультуры проводим во дворе. Что не построили для учеников?

11. Руски (Прв странски јазик) - Општо образование

Прашање

Москва важный транспортный центр России. В Москве четыре аэропорта, семь железнодорожных вокзалов. Сколько аэропортов в Москве?

Москва важный транспортный центр России. В Москве четыре аэропорта, семь железнодорожных вокзалов. Сколько вокзалов в Москве?

Николичам надо было пойти на почту. Маша и Ира хотели купить марки, открытки, конверты и написать письма в Македонии, а Вера хотела дать телеграмму в Москву. Что хотели купить на почте Маша и Ира?

Николичам надо было пойти на почту. Маша и Ира хотели купить марки, открытки, конверты и написать письма в Македонии, а Вера хотела дать телеграмму в Москву. Куда они хотели написать письма?

Николичам надо было пойти на почту. Маша и Ира хотели купить марки, открытки, конверты и написать письма в Македонии, а Вера хотела дать телеграмму в Москву. Куда Вера хотела дать телеграмму?

Мои родители не видели меня два года, а когда увидели очень обрадовались. Чему обрадовались мои родители?

Что нужно взять когда отправляетесь в поход?

Из Белграда в Москву мы ехали ...

В моём не было ни одной копейке.

11. Руски (Прв странски јазик) - Општо образование

Прашање

Что обозначает слово тропинка?

Синоним к слову судьба - ...

Миша поедет на ... в кино.

**В строительств
е
работает ...**

Раз в неделю мы обедем ...

Моя бабушка и дедушка это

Миша написал письмо и он должен ...

В ресторанах всегда большой...

У кого можно узнать есть ли свободный стол в ресторане?

11. Руски (Прв странски јазик) - Општо образование

Прашање

Где ключ от?

Наша школа находится на улице ...

Где играют футбол игроки - футболисти?

Дети обычно часто идут в ... за сладостями.

Подчёркнутое слово в предложении: Маша надела валенки, обозначает:

Мой друг живёт рядом с мной. Что значит слово рядом?

Подчёркнутое слово в предложении: Атанас прислал из Китая письмо, обозначает:

Найди неопределённую форму глагола.

Я прочитал все рассказы.

11. Руски (Прв странски јазик) - Општо образование

Прашање

Павел высказал ему мнение о них.

Моя юбочка твоей.

Вчера друзья были на концерте.

Образуйте настоящее время от глагола жить.

Я люблю эстрадную музыку.

Окончив факультет, мой друг будет

Ответь отрицательно. Кто выходил из класса?

Я советую выздороветь.

Он стоит в коридоре и разговаривает.

Я хочу, вы прочитали эту книгу.

11. Руски (Прв странски јазик) - Општо образование

Прашање

Цветы погибли долго не било дождя.

Мы делали домашнее задание ...

Если я закончу скоро работу ...

**Его им
я
Алексей, имя отца Сергей, отчество будет**

**Извините, пожалуйста, вы не скажете, как пройти к улице Пушкина?
Ответьте и дайте информацию как пройти к улице.**

Ответьте на вопрос отрицательно. У вас есть младшие братья и сёстры?

Николай хочет узнать который час. Как он должен спросить?

11. Руски (Прв странски јазик) - Општо образование

Прашање

В продуктивный магазин вошёл Игорь. Как спросит продавца? Вырази это.

В учительской комнате сидело несколько учителей. Учитель математики представил себя новым коллегам:

Каким словами поздравляемся в праздничный вечер – встреча Нового года?

Как спросишь у прохожего какое сегодня число?

Горан пришёл раньше тебя. Как спросишь когда пришёл Горан?

Стало очень поздно и мы решили идти спать. На прощание говорим:

11. Руски (Прв странски јазик) - Општо образование

Прашање

**Виктор не смог решил
упражнение и просит помощи. Как он может
разить это?**

**Ты пьёшь
кофе
каждое утро? Ответь положительно.**

Ты любишь мыть посуду? Ответь отрицательно.

**Я хотел бы остановиться в этой гостинице. Есть ли у вас свободные
номера? Ответь положительно.**

Маша вошла в кондитерскую купить булочки. Как сказала продавцу?

Дуня выходит замуж? Ответь положительно.

11. Руски (Прв странски јазик) - Општо образование

Прашање

Мира прашається с мамой. Как выразишь?

Саша зашёл в книжном магазине купить книги для детей. Как спрашивает продавщицу?

Михаил Васильевич Ломоносов считал себя в первую очередь химиком, но он сделал важные открытия и в других областях науки, как в физике, геологии, географии, математике, астрономии.

В каких областях од сделал важные открытия?

Михаил Васильевич Ломоносов считал себя в первую очередь химиком, но он сделал важные открытия и в других областях науки, как в физике, геологии, географии, математике, астрономии.

Кем считал себя в первую очередь Ломоносов ?

11. Руски (Прв странски јазик) - Општо образование

Прашање

Мой друг Ваня и я решили совершить лыжную прогулку на Ленинские горы. Надели лыжные костюмы, шапочки, на спортивной базе взяли лыжи и лыжные ботинки.

Куда пошли друзья?

Мой друг Ваня и я решили совершить лыжную прогулку на Ленинские горы. Надели лыжные костюмы, шапочки, на спортивной базе взяли лыжи и лыжные ботинки.

Что они надели?

Анна идёт по улице. Она занята своими мыслями и никого не замечает.

Чем Анна занята?

11. Руски (Прв странски јазик) - Општо образование

Прашање

Анна идёт по улице. Она занята своими мыслями и никого не замечает.

Замечает ли она кого-нибудь?

Максима влекло на Волгу к музыке трудовой жизни, это музыка и до сего дня приятно охмеляет сердце моё, мне хорошо памятен день, когда в первые почувствовал героическую поэзию труда.

К чему влекло Максима?

11. Руски (Прв странски јазик) - Општо образование

Прашање

Максима влекло на Волгу к музице трудовој жизни, это музыка и до сего дня приятно охмеляет сердце моё, мне хорошо памятен день, когда в первые почувствовал героическую поэзию труда.

Помнит ли Максим до этого дня эту музыку?

Среди высоких гор, в глубокой древней котловине, которая находится на южной границы Македонии, притаилось сказочное зеленовато-лазурное озеро которое называется Охридское озеро.

Какое это озеро?

11. Руски (Прв странски јазик) - Општо образование

Прашање

Среди високих гор, в глубокой древней котловине, которая находится на южной границы Македонии, притаилось сказочное зеленовато-лазурное озеро которое называется Охридское озеро.

Среди каких гор и какой котловине находится Охридское озеро?

Говорят, что одни люди рождаются героями, другие ими становятся. Может быть, это верно и по отношению к учёным. По природе не были предназначены для умственного труда, но им пришлось этому научиться, а остальное самим сделать. Что говорят люди?

Сегодня кончился и последний урок последнего дня нашей школьной жизни. Впереди ещё долгие и трудные экзамены, но уроков больше никогда не будет. Что кончилось сегодня?

11. Руски (Прв странски јазик) - Општо образование

Прашање

Ребята задржались в школе, потому что заканчивали выпуск стенной газеты. Когда они вышли, уже смеркалось. Падал снег, между тем усиливался. Они забеспокоились, зная, как жестоки степные сибирские метели.

Почему ребята задржались в школе?

Ребята задржались в школе, потому что заканчивали выпуск стенной газеты. Когда они вышли, уже смеркалось. Падал снег, между тем усиливался. Они забеспокоились, зная, как жестоки степные сибирские метели.

Почему ребята забеспокоились?

У учеников – разные виды в неклассной работы. Они занимаются в литературном кружке, в драматическом кружке, в кружке фотолюбителей, в музыкальном и других кружках. Маша занимается в музыкальном кружке, потому что очень любит музыку. В каком кружке занимается Маша?

11. Руски (Прв странски јазик) - Општо образование

Прашање

Уже год учился играть Саша на скрипке у самого хорошего в городе скрипача. Играть ему было трудно – совсем не слушались пальцы. Скрипач брал Сашину руку, долго мял его пальцы и говорил: „ Больше играй упражнения, тогда пальцы будут слушаться.“

Сколько лет учился Саша играть на скрипке?

Уже год учился играть Саша на скрипке у самого хорошего в городе скрипача. Играть ему было трудно – совсем не слушались пальцы. Скрипач брал Сашину руку, долго мял его пальцы и говорил: „ Больше играй упражнения, тогда пальцы будут слушаться“.

У кого училися Саша играть на скрипке?

В Восточной Македонии расположено самое маленькое из всех озер, Дойранское. Одной из туристических редкостей этого края является рыболовство „с помощью птиц“. Что является туристической редкостью этого края?

11. Руски (Прв странски јазик) - Општо образование

Прашање

Милан закончил юридически факултет. Кем он работет сега?

8-ого Марта ми празнуем...

Какое древо у нас является новогодним?

Длинная, прямая и широкая улица, называется...

Как называется сумка в которой носим книги, тетради?

В гостиницах и ресторанах, гостей обслуживает...

Николай поступил на экономический факультет. Он хочет стать...

Очень хочу читать книги и поэтому я хожу в...

Я хочу узнать об авторе этой книги, поэтому читаю его...

Друзья решили пойти в кино. Что они должны купить?

День сегодня очень...

Мы поехали в Охрид на ...

Обычно мы после обеда отдыхаем...

11. Руски (Прв странски јазик) - Општо образование

Прашање

Моя сестра живёт рядом. Что значит жить рядом?

Спортсменам – баскетболистам нужен хороший баскетбольный...

На спектакле ни одна балерина не...мне.

В аудитории...

Они ... отлично.

Саша перестал общаться с...студентами.

...музыку ты любишь?

Байкалское озеро ... озеро в мире.

Моя двоюродная сестра выгладит гораздо...своих лет.

После занятий друзья ... по городу.

Дети выйдут во двор играть ... не будет дождя.

Олег Петрович живёт в доме, который состоит из двух комнат. Какой это дом?

Нам помогут организовать путешествие в иностранстве...

11. Руски (Прв странски јазик) - Општо образование

Прашање

Он ничего не знает и ... не помнит.

Ето мамина книга. Задай вопрос к подчёркнутому слову.

У них никогда нет....

Ты родилась... 1995 года.

Трамвай едет за ...

Сибирская область... в России.

У Андрея подруга. Он часто встречается...подругу вечером.

Мы часто... о летнем отдыхе.

Зрители сидят в...

В воскресенье я обязательно ... в кино.

Сегодня вечером я ... интересную книгу.

Мой друг ... ученик в нашем классе.

Что... больше люблю кино или театр?

11. Руски (Прв странски јазик) - Општо образование

Прашање

Как вежливо попросите официјанта принести меню?

В комнате Вали письменный стол. На столе лежат книги, тетради, карандаши. Что есть на столе?

Что тебе советует твой врач, когда у тебя грипп?

Тебя приглашают в кино. Как выразишь своё согласие?

Какая лучшая рокк-группа в мире? - спросили музыканта. Свою неуверенность он выразил так...

Как вежливо попросить продавца показать коньки?

Твоя подруга купила себе новое платье. Как ты сделаешь ей комплимент?

У тебя грипп. Что советует врач тебе?

У тебя высокая температура. Как ответишь на вопрос "Как ты себя чувствуешь?"

Мария дала обещание маме убрать свою комнату. Ее подруги позвали ее в кафе, но она отказала им словами:

Алёша хочет поблагодарить свою учительницу словами:

11. Руски (Прв странски јазик) - Општо образование

Прашање

Тебе надо доехать до остановки "Университет". Как спрочишь?

На вокзале працаются друзья. Как выражаются?

Спроси, как дойти до Большого театра.

Пригласи своих друзей к тебе в гости. Как выразиш это?

Хочешь узнать который час. Обратись незнакомому с вопросом.

Мария купила красную шерстяную кофточку и лёгкую белую блузку. Сделай комплимент.

Привет, Даша! Сколько лет, сколько зим. Это выражение означает ...

Кате 18 лет. Она любит классическую литературу и скрипку. Чем она занимается в свободное время?

Много молодежи любят играть в шахматы и домино. Виктор тоже любит играть, но он хочет всегда выигрывать. Это значит, что он хочет в игре быть...

Анна и Коля гостят у Вани в деревне. Где отдыхают Анна и Коля?

Семья Саши обедает ровно в два часа. Он как всегда опаздывает на обед. Что должен знать Саша?

11. Руски (Прв странски јазик) - Општо образование

Прашање

Уважаемый мой друг Володя. Я прилетел в Китай. Летал через Индию и Среднюю Азию. Здесь очень приятно и мне нравится. До встречи. Привет Кирил. Какой это текст?

Уважаемый мой друг Володя. Я прилетел в Китай. Летал через Индию и Среднюю Азию. Здесь очень приятно и мне нравится. До встречи. Привет Кирил. Где находится Кирил?

Какое значение имеет пословица "Повторение-мать учения". Повторение нам помогает...

А что такое радуга? – спросила. Это божья кровь, - ответил дедушка. - Да нет, это божья душа! - сердито сказала бабушка. Когда Маша стала взрослой поняла, что это закон природы. Старики считали, что радуга это божья кровь и божья душа, потому что...

А что такое радуга? – спросила. Это божья кровь, - ответил дедушка. Да нет, это божья душа - сердито сказала бабушка. Когда Маша стала взрослой, поняла что это закон природы. Когда Маша поняла что это закон природы?

Родственники Антона живут в Москве, но он их навещает два раза в год. Как часто Антон навещает родственников?

Горан хороший ученик, но из-за недисциплины учитель был вынуждён поставить ему единицу. Почему Горан получил единицу?

Сегодня молодые мечтают стать артистами. Они думают, что киноартисты очень известны в мире. Почему молодые хотят стать артистами?

11. Руски (Прв странски јазик) - Општо образование

Прашање

Андрей Иванович сидел на стадион и читал книгу о футболе. На стадионе занимались футболом. Матч был очень интересный, но Андрей Иванович ничего не замечал. Он все время читал книгу. Каким спортом занимались на стадионе?

Андрей Иванович сидел на стадион и читал книгу о футболе. Матч был очень интересный, но Андрей Иванович ничего не замечал. Он всё время читал книгу. Чем занимался Андрей Иванович на стадионе?

Январь зимний холодный месяц. Ни детям, ни родителям не холодно. В субботу и в воскресенье, сотни людей выходят кататься на лыжах и коньках. Кто не боится холода?

В семье Саши обедают ровно в два часа. Он опять опоздал. Что Саша должен знать?

Сегодня первоклассники играют в футбол со вторым классом. Виктор не может играть, он болен. Его болит горло. Почему Виктор не может играть в футбол?

У Петровых приехали гости. Они сидят за столом и ужинают. Только у дяди Ивана нет аппетита. Он ел в автобусе. Почему дядя Иван не ужинает?

Повторение – мать знаний. Повторение нам помогает. Какое значение этой пословицы?

11. Руски (Прв странски јазик) - Општо образование

Прашање

Здравствуй, мама! Как у тебя дела? У меня всё нормально. Я уже в Москве 3 дня. Я живу в гостинице «Националь». Это в центре. Сегодня я первый раз работал в офисе. Потом я был в ресторане. Я и мои русские коллеги обедали там. Я ел борщ (это русский традиционный суп), пельмени (это как равиоли) и пил морс. Это очень вкусно. Вечером я был в театре. Я думаю, что это «Большой театр», но я не знаю. Там я смотрел балет. Очень интересно. А сейчас я очень устал.
До свидания, мама.
Твой сын Джон. Где работает Джон?

Ответь отрицательно на вопрос: Ты уже прочитал газету?

Мой дом очень красивый, светлый, уютный. Моя комната небольшая. Справа у стены стоит диван, над ним полка с книгами. Где находится полка с книгами?

Маша была на прекрасный спектакль балета, в Большом театре. Как Маша чувствует себя после спектакля?

Тебе нужно позвонить по телефону Мише. Трубку взял его отец. Как ты скажешь?

Маша и Алёша пошли в ресторан обедать. К ним подходит официант. Алёша попросил у него....

12. Технологија на обработка - Стручно образование

Прашање

За да се изврши процесот на леење металот треба да се:

За да растопениот метал навлезе во шуплините на калапот потребно е да има добра:

За правилно изведување на леењето, потребно е металот да се загрее:

Во составот на леаното железото како најзастапени елементи се наоѓа силициум и:

Преломот на белото леано железо е:

Силициумот во составот на железото влијае врз излучување на:

Феролегурите во растопот за добивање на сиво леано железо најчесто се додава за да го корегира:

За добивање на леаното железо најчесто се користат:

Внарешноста на куполната пецка е обложена со:

Железото и челикот се леат во:

Обоените тешки метали и легури се леат во:

Лесните метали и легури се леат во:

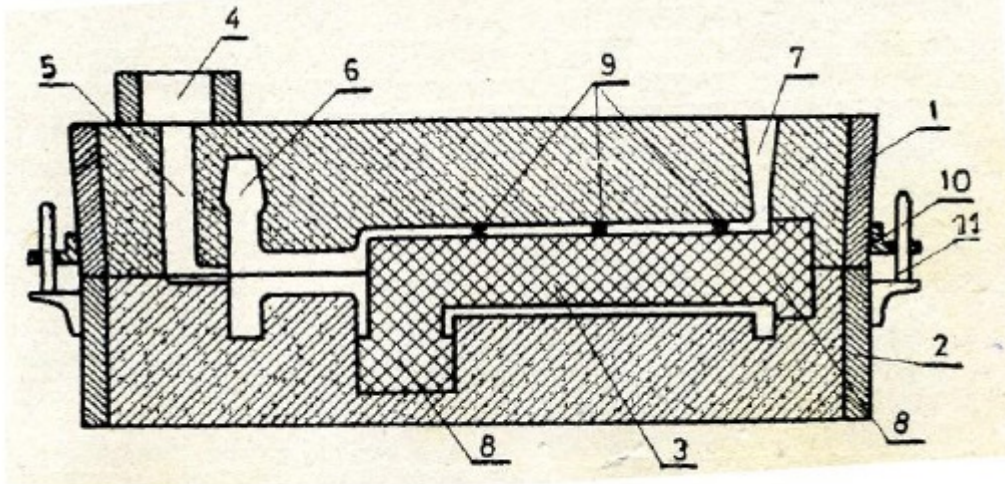
Челичните калапи се нарекуваат:

12. Технологија на обработка - Стручно образование

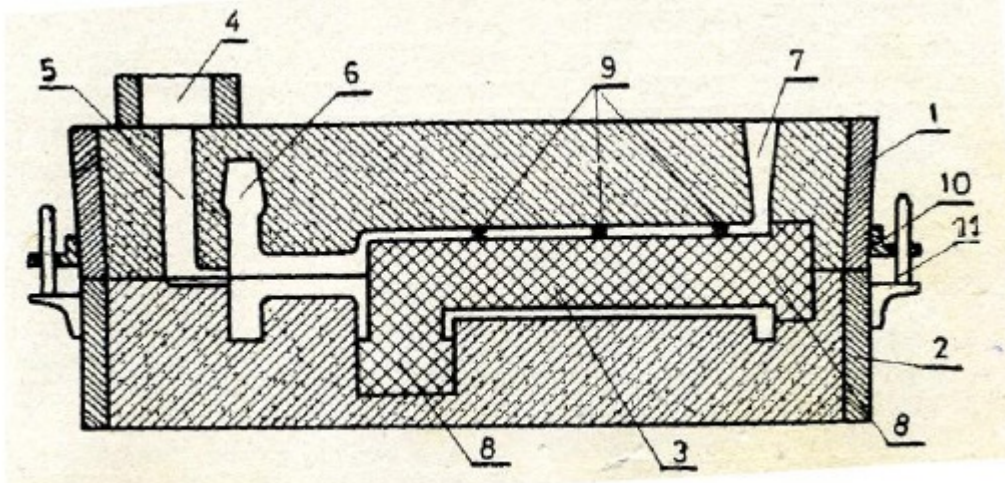
Прашање

За пренесување на растопениот метал до калапот се користи:

Со бројот 3 на сликата од пресекот на леарскиот калап е означен:



Со бројот 6 на сликата од пресекот на леарскиот калап е означен:



Како гориво во куполните печки се користи:

12. Технологија на обработка - Стручно образование

Прашање

За да се оформи шуплината во внатрешноста на излеаниот предмет се користат:

Јадрата со кои се изработуваат шуплините во излеаниот дел се прават од:

Изработката на калапи со шаблони се користи за изработка на:

Сушењето на калапите и јадрата се врши да се отстрани:

Центрифугалното леење се изведува под дејство на:

Центрифугалното леење се користи за изработка на:

За леење на предмети со сложена конфигурација најчесто се изведува со:

Кај нискојаглеродните челици количината на јаглерод изнесува:

Специјалните и високолегираните челици се произведуваат во:

Челикот претставува легура на железо и јаглерод при што количината на јаглерод е до:

Металите кои се состојат од еднородни атомски ќелии се нарекуваат:

Деформацијата кај која по отстранувањето на силата атомите се враќаат во правобитната положба се нарекува:

Деформацијата кај која по отстранувањето на силата атомите не се враќаат во правобитната положба се нарекува:

12. Технологија на обработка - Стручно образование

Прашање

Под деформација кај едно тело се подразбира:

Вкупната деформација на металот се состои од два дела:

Деформациите кај кои се зголемуваат првобитните димензии се сметаат за:

Деформациите кај кои се намалуваат првобитните димензии се нарекуваат:

За технички чистите метали температурата на почеток на рекристализација изнесува:

Збивањето претставува слободна ковачка операција при која се:

Со повекекратно ковање структурата на материјалот станува:

При збивање на телата се разликуваат:

Потребната сила за збивање се пресметува според формулата:

При обработката со пластична деформација во топла состојба, железото се загреваат на:

Шуплината во алатот, со кој вршме ковање, пресување се нарекува

За да може некој материјал да се обработува со пластична деформација потребно е да има зголемена:

Основни операции на слободно ковање се:

12. Технологија на обработка - Стручно образование

Прашање

Во групата на машини за обработка со пластична деформација спаѓаат:

Хидрауличните преси се задвижуваат со помош на високиот притисок создаден од:

Валањето претставува технолошки процес при кој се врши:

Обичниот дуо валачки систем за валање на тенки лимови се состои од:

За правилна постапка на валање на навои со рамни профилирани плочи:

За извлекување на жици со пречник од 0,05 – 0,5 мм се користи матрица изработена од:

Жицата се изработува со помош на обработката со пластична деформација:

Со постапката на извлекување на жици, ако се добие жица со пречник над 8мм за истата велиме дека е:

Ладното валање е натамошна доработка на топло валани лимови и се користи за добивање на готови производи со дебелина од:

За изработка на делови со сложени конфигурации со постапката на истиснување се користи:

Профилот на истиснатиот материјал зависи од профилот на:

За спојување на два истородни или различни материјали се применува постапка која се нарекува:

12. Технологија на обработка - Стручно образование

Прашање

Материјалот со кој се врши лемење (лем) треба да има:

Ако температурата на топење на лемот е под 325°C тогаш тој лем се нарекува:

Ако температурата на топење на лемот е над 500°C тогаш тој лем се нарекува:

Како мек лем најчесто се применува калај кој има температура на топење од:

За Тврдо лемење најчесто се користи :

За пофини и чисти залемени места се употребува специјален:

Како средство за хемиско чистење при меко лемење се користи:

При тврдо лемење, како средство за чистење се користи:

За загревање на површините кои се лемат се користи средство за:

Мекото лемење е постапка која се применува кога од споената врска се бара да биде:

Пред да се започне со постапката на лемење површините кои се спојуваат најнапред е потребно:

Тврдо лемење се употребува кога од лемот:

Заварувањето претставува постапка на спојување на:

12. Технологија на обработка - Стручно образование

Прашање

Гасното заварување е таков вид на заварување кај кое загревањето на металот се врши со:

При гасно заварување најчесто се користи смеса од:

Кај гасното заварување како горивен гас најчесто се користи:

Гасното заварување најчесто се применува за заварување на:

Гасниот пламен настанува како резултат на согорување на смеса од:

Ацетиленот како горивен гас е составен од:

Највисоката температура што може да се постигне со гасниот пламен изнесува околу:

Температурата кај оксиацетиленскиот пламен е распоредена во:

Највисока температура кај оксиацетиленскиот пламен се постигнува во :

Кога односот на смесата од ацетилен- кислород изнесува 1:1 тогаш станува збор за:

Кислородот претставува:

Водородот претствува:

Гасовита за гасно заварување се чуваат во:

12. Технологија на обработка - Стручно образование

Прашање

Редуцир-вентилот има за задача:

Редуцирачки пламен е вид на пламен каде :

Манометарот кај редуцир вентилот ја покажува големината на:

Заварувањето налево подразбира поместување:

заварување во десно кое уште се нарекува заварување нанапред :

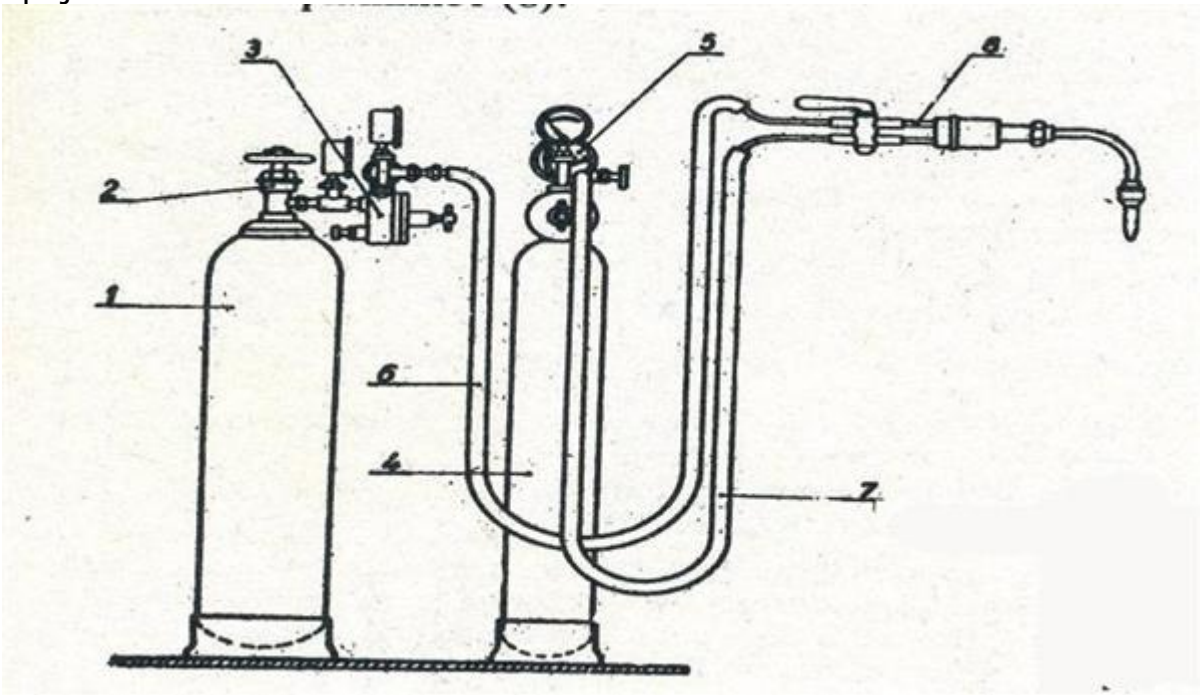
На сликата е претставен:



12. Технологија на обработка - Стручно образование

Прашање

На сликата е прикажана опремата за оксиацетиленското заварување, а со бројот 5 е означен



Кој од долунаведените варови постојат?

При гасно заварување се корист смеса од:

Кај гасното заварување надесно додатниот материјал изведува:

Горилникот кој се користи при гасното сечење:

Заварувањето во лево се применува онаму каде што се бара

Кај гасното заварување најчесто се јавуваат повреди на ракувачот од:

12. Технологија на обработка - Стручно образование

Прашање

Мешањето на смесата од горивен гас и кислород се изведува во:

Апаратурата за гасно заварување овозможува заварување на:

Повраќањето на пламенот кон шишињата се спречува со:

Носители на електрицитетот се најмалите честички на атомот:

Позитивно наелектризираните честички на атомот се:

Негативно наелектризираните честички на атомот се:

Позитивните јони се ориентираат и се движат со голема брзина кон:

На површината на анодата температурата достигнува околу:

Во средината на електричниот лак температурата е:

Со какви електроди може да се изведе рачното електролачно заварување?

За да се восостави електричен лак, треба да постои:

При заварување, материјалот од електродата се пренесува низ електричниот лак во вид на:

Рачното електролачно заварување како постапка се применува:

Внатрешноста од обложената електрода се нарекува:

12. Технологија на обработка - Стручно образование

Прашање

Челичните обложени електроди се означуваат со букви и бројки според следната шема E XXX O XX O. Како се обележува седмата ознака и што означува?

Стандардна должина обложените електрода е:

Според стандардите, обложените електроди се означуваат со:

Првата ознака кај електродите секагаш е:

Петтата ознака ја означува видот на облогата и таа е:

При заварување на дебели лимови се препорачува

При воспоставување на електричниот лак електричната енергија се претвара во:

При електролачно заварување, лакот се воспоставува

При ЕПП постапката заштитата на варот од атмосферските влијанија се врши со:

Вишокот материјал од заштитен прашок при ЕПП постапката:

Кратенката МАГ кај електролачно заварување во заштитна атмосфера означува

Кој активен гас се користи (при МАГ постапката)?

12. Технологија на обработка - Стручно образование

Прашање

Изборот на јачината на струјата и напонот на лакот при МАГ постапката зависи од:

МАГ постапката претставува кај која како заштитен гас се користи:

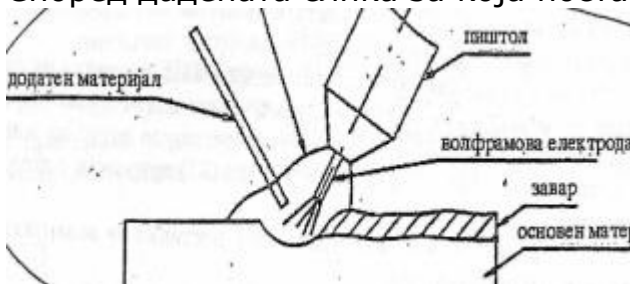
Заштитната атмосфера од инертен гас се ствара заради

Кој заштитен гас се користи кај МИГ постапката на заварување?

Заштите инертен гас кој најчесто се користи е:

При заварувањето со МИГ постапката, со кус лак се заваруваат:

Според дадената слика за која постапка на заварување станува збор?



Електроотпорното заварување е начин на поврзување на работните предмети со комбинација на:

Електроотпорното заварување воглавно се употребува за заварување на:

Која од долунаведените постапки НЕ спаѓа во групата електроотпорно заварување?

12. Технологија на обработка - Стручно образование

Прашање

Кај електроотпорното заварување се користи:

Точкастото заварување најчесто се користи за:

Работното заварување се користи за добивање на:

При заварување со искрење металните предмети се заваруваат:

Високофреквентното заварување се изведува со струја со:

За заварување на цевки најчесто се користи:

Топлината, а воедно и спојувањето на материјалите со постапката на триење се изведува со:

Носителот на енергијата што се претвара во топлина кај заварувањето со електронски сноп е:

Заварувањето со ласер настанува со:

Според начинот на загревање на работниот предмет се јавуваат две варијанти на постапка со плазма:

При сечење на подебели материјали отсечената површина е најфина ако е извршена со:

По завршување на заварувањето потребно е да се изврши:

12. Технологија на обработка - Стручно образование

Прашање

Контролата на заварената врска што се врши по завршување на заварувањето се нарекува:

Пред да започне постапката на заварување контролата што се применува се нарекува:

Методите на испитување и контролата на заварените врски се поделени:

Кај постапката на испитување со разорување материјалот се:

Која од следниве методи на испитување на заварени врски, НЕ е во групата без разорување на материјалот?

Методите со разорнување на заварените врски најчесто се применуваат:

Рентгенската контрола се употребува:

Визуелната контрола на заварените врски се врши со :

За пенетранската постапката на испитување на заварените врски се употребува:

Кај испитувањето на материјалите со прозвучување се употребува:

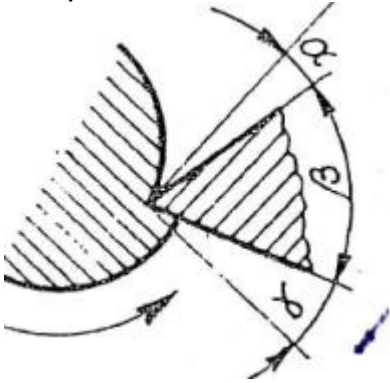
Кај Рендгенската постапка на испитување на заварените врски се употребуваат:

Струшката која настанува при обработката со режење може да биде:

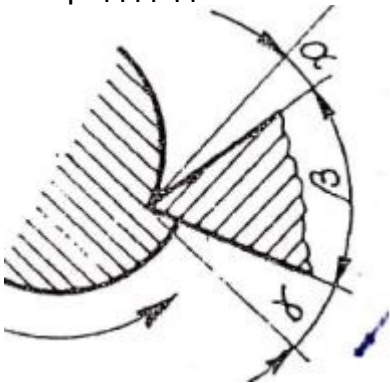
12. Технологија на обработка - Стручно образование

Прашање

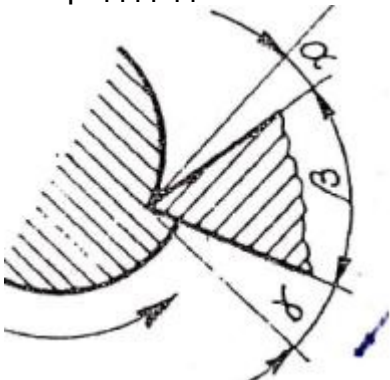
Според дадената слика аголот „ γ „ преставува



Според дадената слика збирот на аглие $\alpha + \beta + \gamma = ?$



Според дадената слика аголот „ β „ преставува



Во машинството се среќаваат следниве бази:

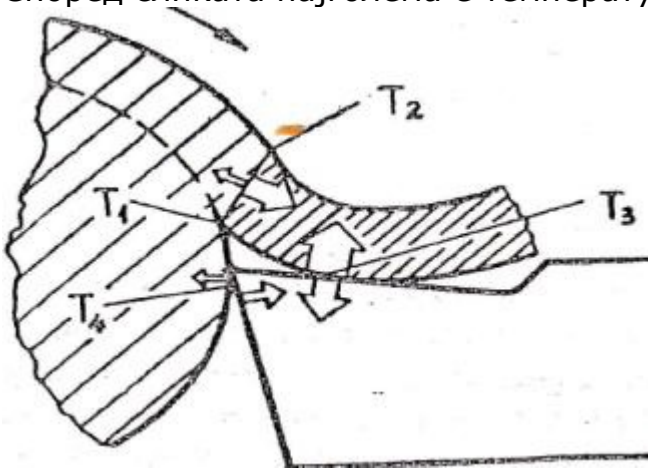
12. Технологија на обработка - Стручно образование

Прашање

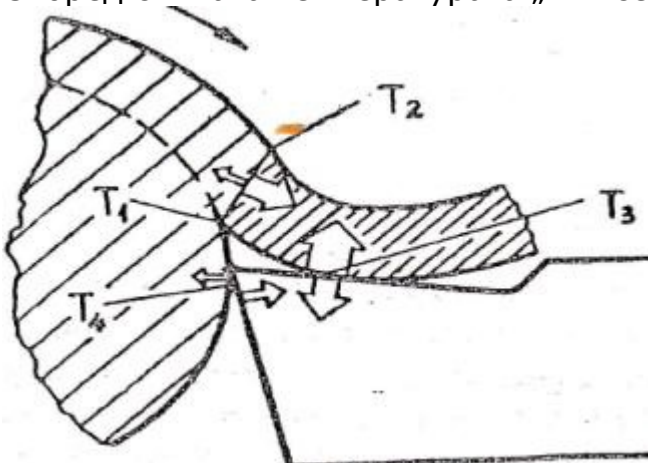
Економска брзина на сечење е:

Мешавината од вода и масло (емулзија) во машинството се користи за:

При обработка на металите доаѓа до загревање помеѓу алатот и предметот. Според сликата најголема е температурата



Според сликата температурата „ T_2 “ се нарекува



Движењето што ја одредува брзината на одвојување на струшката се нарекува:

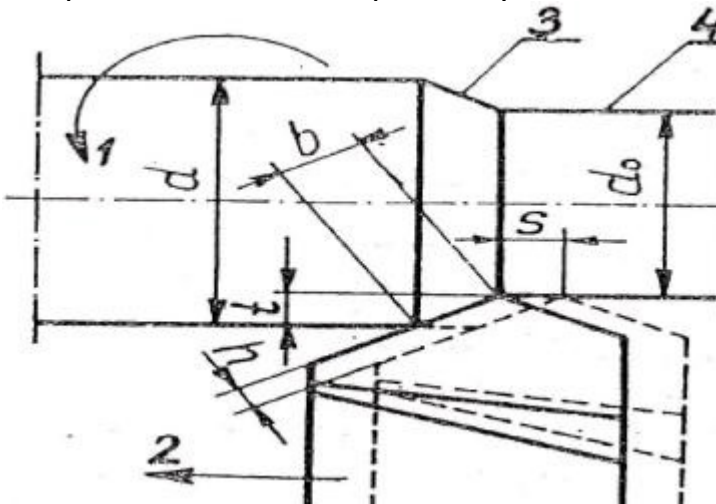
12. Технологија на обработка - Стручно образование

Прашање

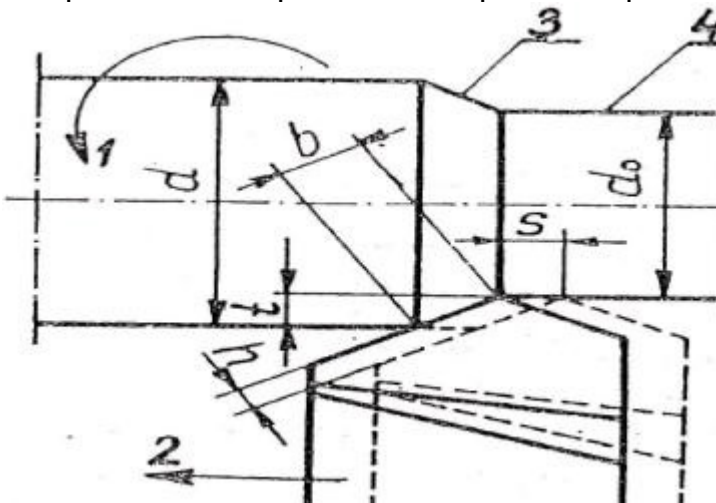
Движењето со кое се одредува непрекинатото навлегување на алатот во материјалот се нарекува:

Настанувањето на струшката може да се раздели во три фази. Во првата фаза настанува:

Според сликата што претставува ознаката „S“?



Според сликата работниот предмет врши:



12. Технологија на обработка - Стручно образование

Прашање

Висинкото растојанието помеѓу највисоката и најниската точка на нерамнините се нарекува

Во равенката $H = s^2 / 8r$ што претставува „H“?

Според равенката $H = s^2 / 8r$, од што најмногу зависи големината на рапавоста?

При обработка доаѓа до зголемување на температурата на местото на допирот помеѓу работниот предмет и алатот, ладењето се врши најчесто со:

Појавата на повишено сечило негативно влијае врз:

Повишеното сечиво настанува поради

Неправилното ладење во текот на обработката на материјалот негативно влијае врз

Постојаноста на алатот претставува

Острењето на алатите најчесто се врши со

На струг претежно се изработуваат:

Кој од долунаведените стругови НЕ е струг?

При обработката со стругање, главното движење го врши:

12. Технологија на обработка - Стручно образование

Прашање

При обработката со стругање, помошното движење го врши:

Режење на навојни површини може да се изврши:

За да се изработи навој на струг врвот на ножот треба да има:

При напречната обработка на струг, движењето на алатот е:

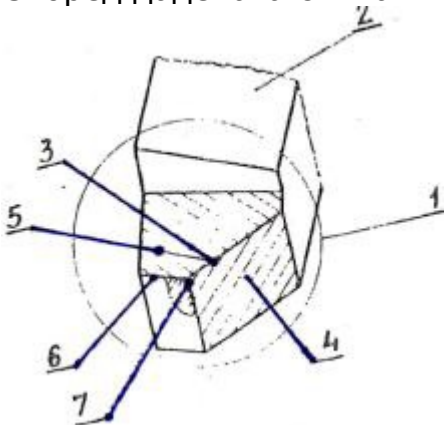
Со обработката стругање се изработуваат:

Кога се обработуваат предмети на струг, за да се намалат вибрациите се употребуваат:

Еден од начините за изработка на конусни површини на струг е:

Конусни површини на струг се добиваат и со помош на:

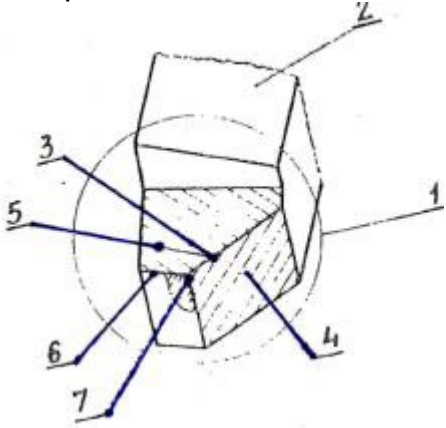
Според дадената слика што е означено со бројот „3“?



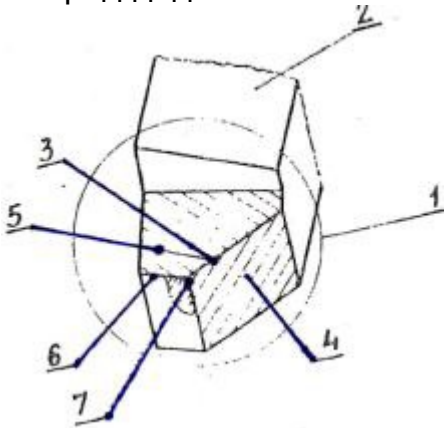
12. Технологија на обработка - Стручно образование

Прашање

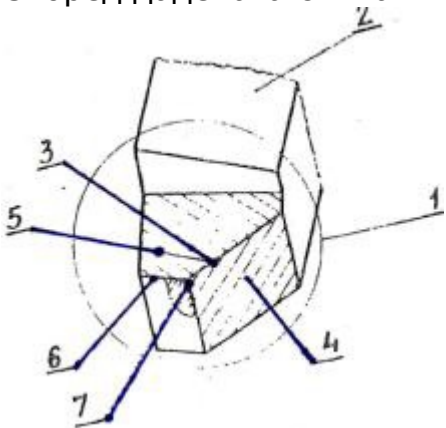
Според дадената слика што е означено со бројот „ 6“?



Според дадената слика што е означено со бројот „ 7“?



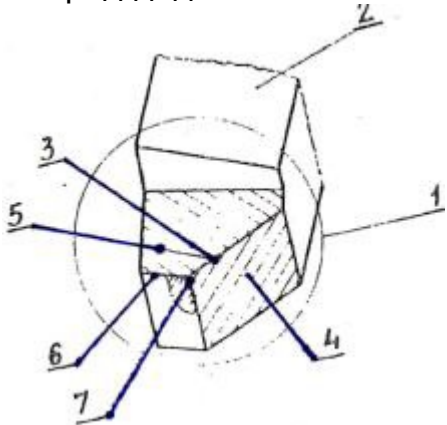
Според дадената слика што е означено со бројот „ 1“?



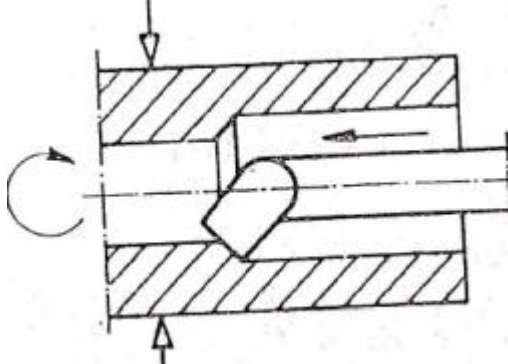
12. Технологија на обработка - Стручно образование

Прашање

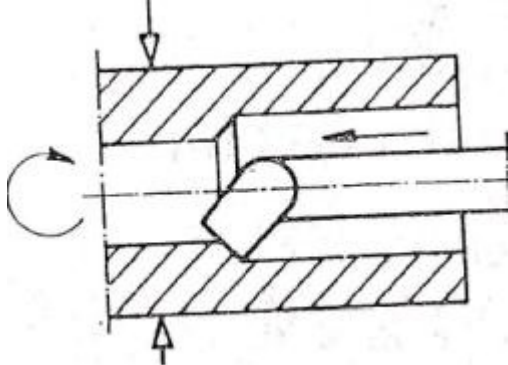
Според дадената слика што е означено со бројот „2“?



Според дадената слика за каков вид на обработка се работи?



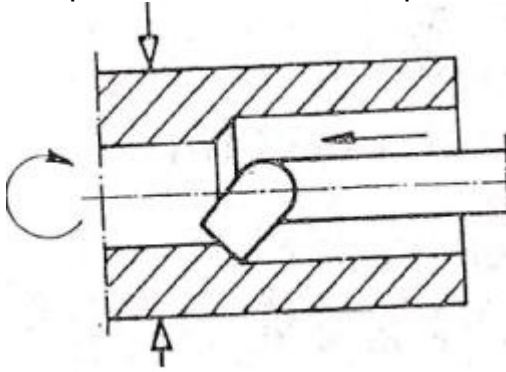
Според дадената слика како се движи алатот?



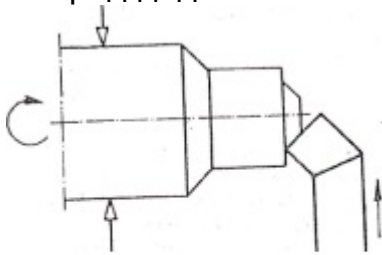
12. Технологија на обработка - Стручно образование

Прашање

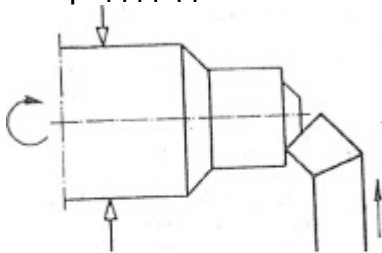
Според сликата со внатрешната обработка се врши:



Според дадената слика станува збор за:



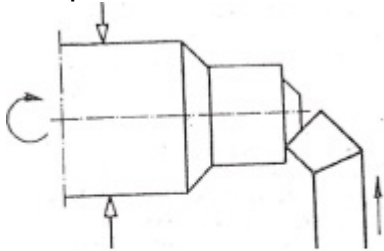
Според дадената слика на работното парче се врши:



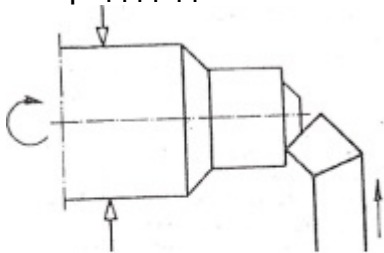
12. Технологија на обработка - Стручно образование

Прашање

Според дадената слика се врши:



Според дадената слика алатот врши



Според следнава равенка $V = \frac{D\pi n}{1000}$ mm/min се пресметува:

Во равенката $V = \frac{D\pi n}{1000}$ mm/min ознаката " n " за обработка на струг означува:

Со равенката $S = \sqrt{8rH}$ се врши:

Во равенката $S = \sqrt{8rH}$ величината „ H " претставува:

12. Технологија на обработка - Стручно образование

Прашање

Изразот $Tt = \frac{Li}{ns}$; мин. претставува равенка за пресметка кај обработка на струг на:

Во равенката $Tt = \frac{Li}{ns}$; што претставува величината „ i “?

Во равенката $Tt = \frac{Li}{ns}$ што претставува величината „ s “?

Со даденава равенка $V = Dn$ m/min може да се пресмета

Со равенката $n = \frac{V}{D\pi}$ вр/мин може да се пресмета

Со равенката $D = \frac{V}{n\pi}$ м при обработка со стругање може да се пресмета:

На струг покрај дугите обработки може да се изработуват

Машините за изработка на отвори се нарекуваат:

За зголемување на дијаметарот на отворот се користи постапка:

За зголемување на квалитетот на обработка кај отворите се применува постапката

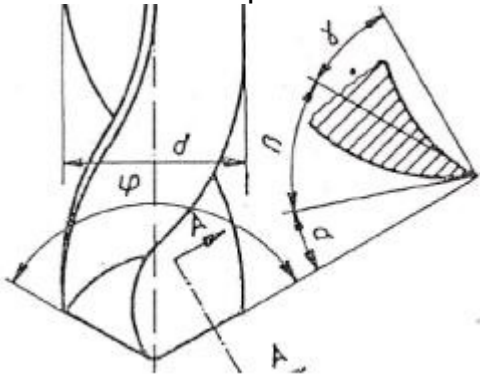
Кога е потребно во материјалот да навлезе и главата на завртката, тогаш е потребно на отворот да се направи:

Алатот кај обработката со дупчење се нарекува:

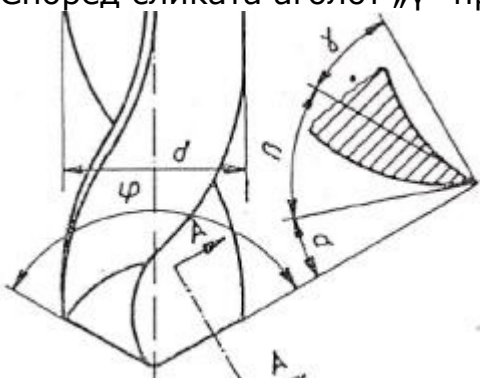
12. Технологија на обработка - Стручно образование

Прашање

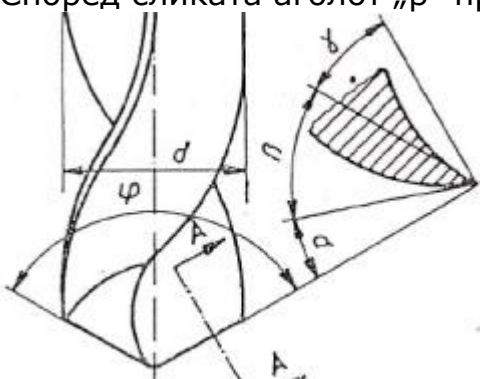
На сликата е прикажан алатот за:



Според сликата аголот „ γ “ претставува:



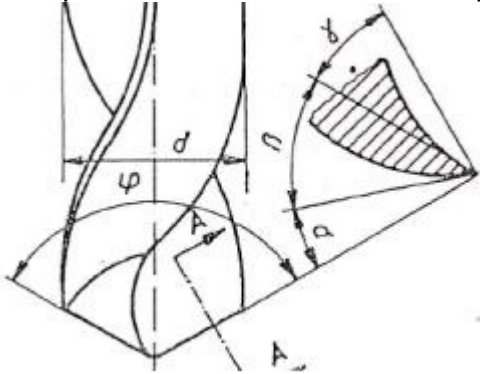
Според сликата аголот „ β “ претставува:



12. Технологија на обработка - Стручно образование

Прашање

Според сликата аголот „ α “ претставува:



Алатот за дупчење го има обликот на спирала за да може лесно да се одведе:

Помошното движење кај обработката со дупчење го изведува:

Главното движење кај обработката со дупчење го врши алатот и тоа е:

Помошното движење кај обработката со дупчење го врши алатот и тоа е:

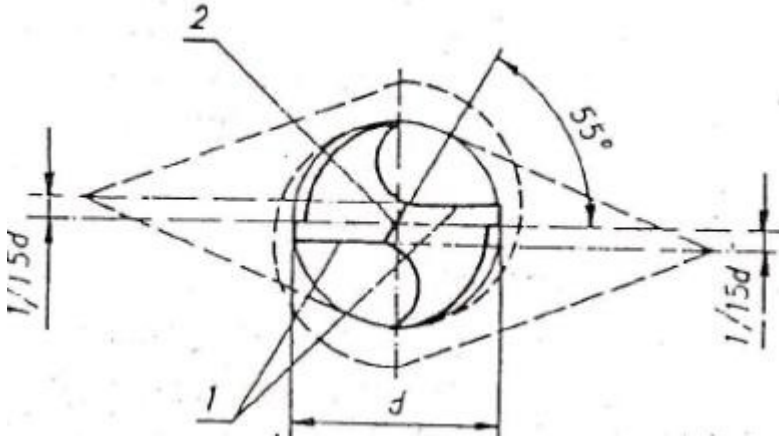
Кај цилиндрични и конусни отвори развртувањето претставува:

Алатот за дупчење има:

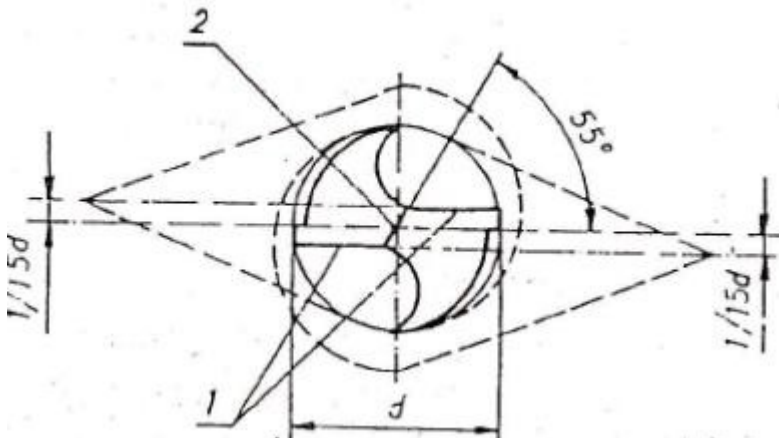
12. Технологија на обработка - Стручно образование

Прашање

Според сликата што е означено со „ 1 “?



Според сликата што е означено со „ 2 “?



Главните сечива помеѓу себе зафаќаат агол од:

Пред да започне постапката на дупчење потребно е да се изврши:

Според насоката на завојницата постојат:

Според начинот на изработка постојат сврдли:

12. Технологија на обработка - Стручно образование

Прашање

Според должината на сврдлите постојат:

На дупчалка освен основната операција дупчење може да се изработи и:

Со следнава равенка $T_t = \frac{Li}{nS}$ мин. се пресметува:

Во равенката $T_t = \frac{Li}{nS}$ ознаката „L“ претставува:

Во равенката $T_t = \frac{Li}{nS}$ ознаката „n“ претставува:

За постапката на обработка со глодање се употребуваат:

Обработката со глодање претставува:

Во однос на алатите за другите обработки на металите со симнување на струганица, глодањето претставува обработка со:

Главното движење кај обработка со глодање го врши:

Помошното движење кај обработка со глодање го врши:

Глодањето претставува обработка со која се изработуваат:

Во групата на обработка со глодање спага и:

Според насоката на движење на работниот предмет и насоката на вртење на глодалото рамното глодање може да биде:

12. Технологија на обработка - Стручно образование

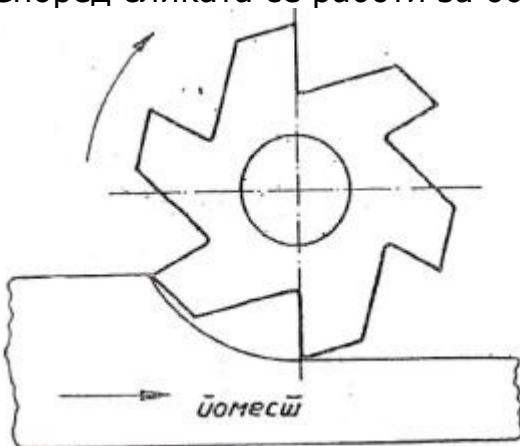
Прашање

Кај истонасочното глодање обликот на струшката по целата должина е во облик:

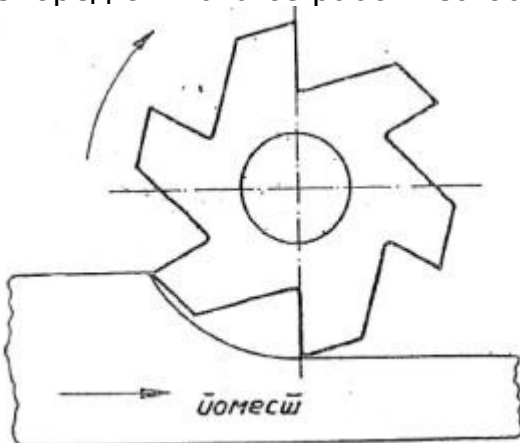
Кај спротинасочното глодање обликот на струшката по целата должина е во облик:

Изработката на запчаници и ланчаници може да се изврши:

Според сликата се работи за обработка со:



Според сликата се работи за обработка со:

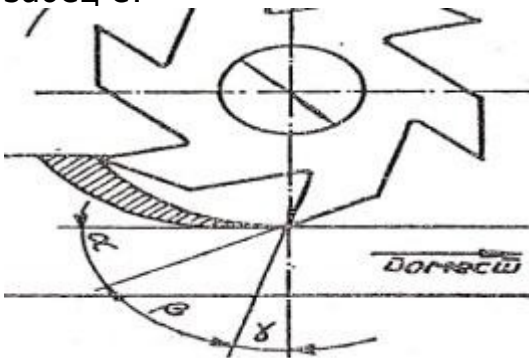


12. Технологија на обработка - Стручно образование

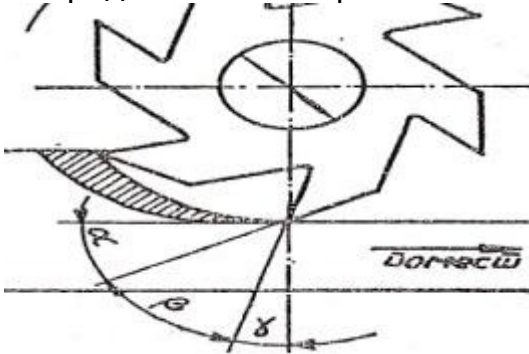
Прашање

Квалитетот на обработка кај глодањето најмногу зависи од:

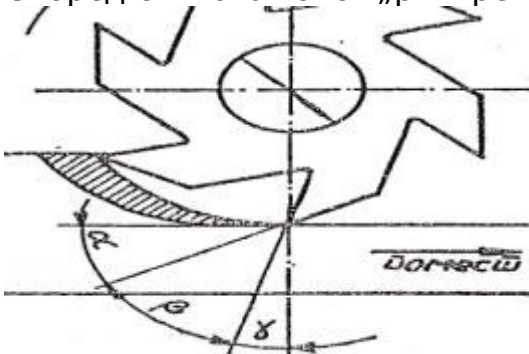
Според сликата алатот за глодање има правилна геометриска форма и секој забец е:



Според сликата збирот на аглите $\alpha + \beta + \gamma$ изнесува:



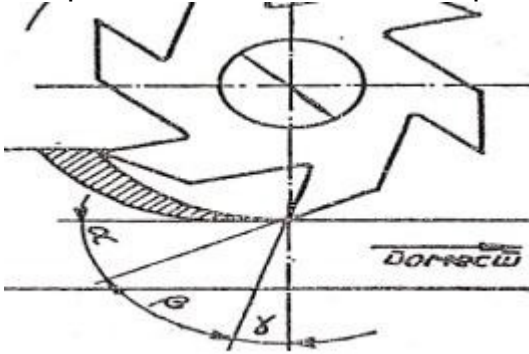
Според сликата голот „ β “ претставува:



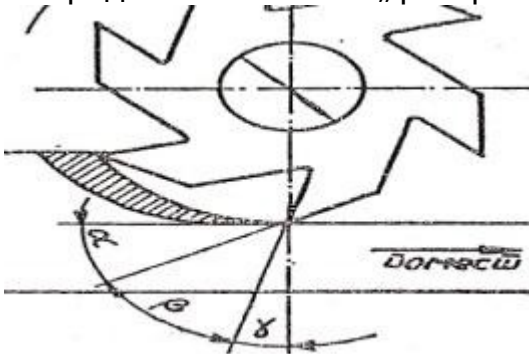
12. Технологија на обработка - Стручно образование

Прашање

Според сликата голот „а“ претставува:



Според сликата голот „у“ претставува:



Со равенката $S_z = \sqrt{\frac{4HD}{z^2}}$ mm/zab се пресметува:

Во равенката $S_z = \sqrt{\frac{4HD}{z^2}}$ mm/zab што претставува големината „H“?

Во равенката $S_z = \sqrt{\frac{4HD}{z^2}}$ mm/zab што претставува големината „D“?

Во равенката $S_z = \sqrt{\frac{4HD}{z^2}}$ mm/zab што претставува големината „z“ ?

12. Технологија на обработка - Стручно образование

Прашање

Големината на рапавост најчесто се добива со:

Со равенката $T_t = \frac{Li}{S}$ мин се пресметува:

Во равенката $T_t = \frac{Li}{S}$ мин што претставува ознаката „ s“ ?

Равенката $S = S_o n = S_z z n$ мм/мин се употребува за пресметка на:

За порамнување на поголеми површини најчесто се употребува:

Движењето кај рендисалките е:

За обработка со рендисување на долги предмети најчесто се употребуваат

Кај долгоодните рендисалки главното движење го врши:

Кај краткоодните рендисалки главното движење го врши:

Кај краткоодните рендисалки помошното движење го врши:

Кај долгоодните рендисалки помошното движење го врши:

Кај рендисалките постои работен и празен од и секогаш брзината е поголема кај:

Со равенката $T_t = \frac{Bi}{sn}$; мин. може да се пресмета:

12. Технологија на обработка - Стручно образование

Прашање

Во равенката $T_t = \frac{Bi}{sn}$ мин. што претставува „ B“?

Со равенката $T_t = \frac{Bi}{sn}$ мин. што претставува „ i “ ?

Методата на „ ФЕЛОУЗ“ се користи за изработка на:

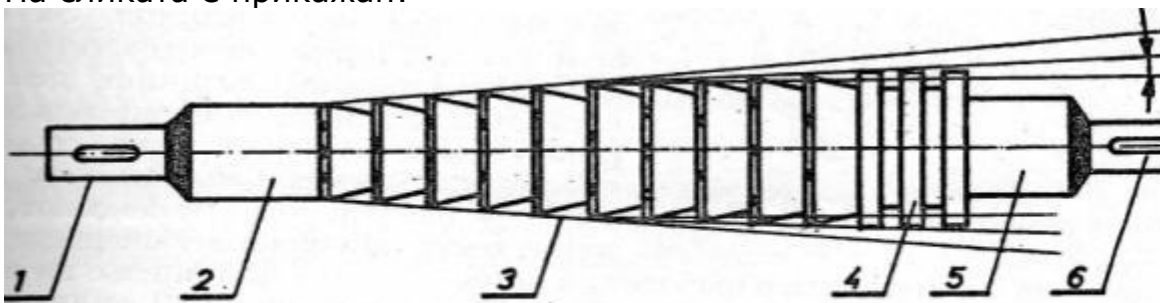
Методата на „ МААГ“ се користи за изработка на:

Обработката со симнување на струганица која во најкусо време ја дава крајната форма на работниот предмет претставува:

Провлекувањето претставува обработка на металите со симнување на струганица која се изведува со:

Провлекувањето најчесто се користи за изработка на:

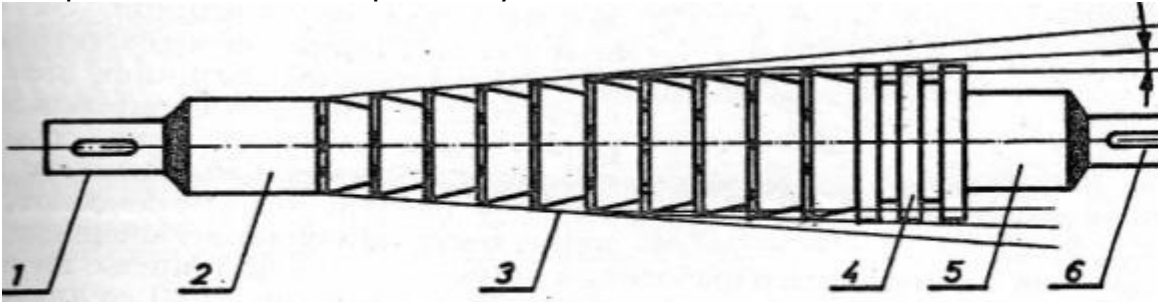
На сликата е прикажан:



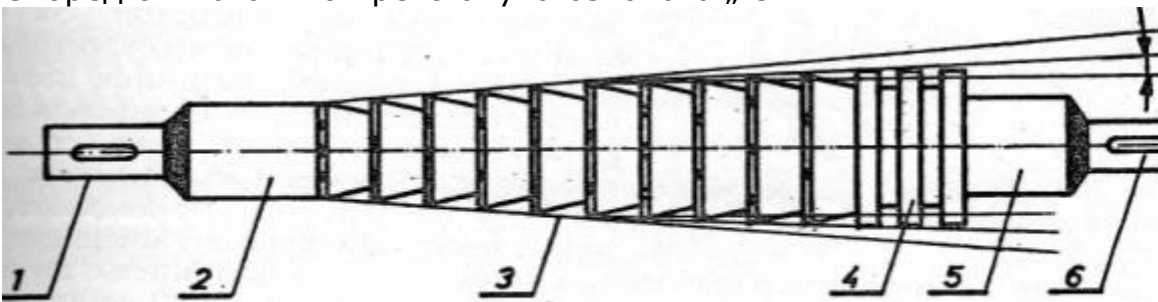
12. Технологија на обработка - Стручно образование

Прашање

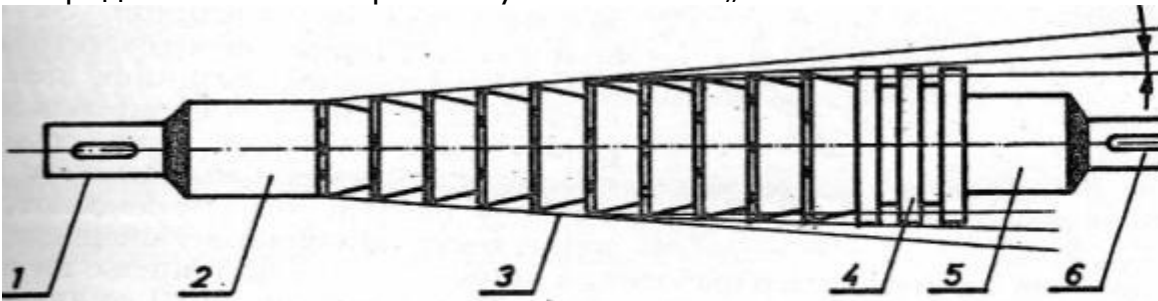
Според сликата што претставува ознаката „ 2 “ ?



Според сликата што претставува ознаката „ 3 “ ?



Според сликата што претставува ознаката „ 4 “ ?



Со равенката $L = l \frac{\delta}{\delta_{1z}}$ мм се пресметува:

12. Технологија на обработка - Стручно образование

Прашање

Обработката со брусење претставува:

Грубото брусење е обработка при која во еден премин се симнува слој со дебелина од:

Фината обработка со брусење симнува слој со дебелина од:

Острењето на алатите за обработка на металите се врши со:

За изработка на брусни плочи со поголми дијаметри наменети за влажно точење се употребува:

Најквалитетниот материјал за изработка на точила е:

Равенката $V = \frac{\pi Dn}{60000}$ м/сек. служи за пресметка на:

Во равенката $V = \frac{\pi Dn}{60000}$ м/сек. што претставува „ D “ ?

За најфино точење на надворешни површини се употребува постапката:

Како разладно средство кај завршните обработки со брусење се употребува:

Полирањето претставува постапка за добивање на:

Брусењето е постапка на обработка на металите со:

Со равенката $T_t = \frac{Lki}{ns}$ мин. се пресметува:

12. Технологија на обработка - Стручно образование

Прашање

Во равенката $T_t = \frac{Lki}{nS}$ мин. што претставува „ L “ ?

Со равенката $T_t = \frac{Bki}{nS}$ мин. се пресметува:

Во равенката $T_t = \frac{Bki}{nS}$ мин што претставува „ B “ ?

13. Физика - Општо образование

Прашање

Негативно наелектризирано тело има:

Атомското јадро е:

Мерна единица за количество електричество е:

13. Физика - Општо образование

Прашање

**Два
елктрични полнежи
кои се носители на
позитивно електричество се**

Елементарен електричен полнеж е:

Во електрично поле дејствуваат:

Електронот има електричен полнеж од:

Кондензаторите во струјни кола може да се сврзуваат:

Мерна единица за електричен капацитет во SI системот е:

13. Физика - Општо образование

Прашање

Два позитивни полнежи со количество електричество од 2C поставени во вакуум на растојание од 1 метар, ќе се одбиваат со Кулонова сила од:

Хомогено електрично поле се создава:

Јачината на електричната струја се одредува со:

Напонот помеѓу две точки во електрично струјно коло се мери со:

Едно просто електрично струјно коло се состои од следните елементи:

13. Физика - Општо образование

Прашање

Во проводникот ќе тече електрична струја ако на неговите краеве постои:

Густина на електрична струја претставува:

Носители на електрична струја во гасовите се:

Уредите за мерење на јачината на струјата се викаат :

Мерна единица за електричен отпор е:

Електричните отпори во струјниот круг може да се сврзуваат:

Електрична струја тече:

13. Физика - Општо образование

Прашање

Мерна единица за специфичен електричен отпор е:

Во електрично струјно коло секогаш:

Елементите на елементарен електричен струен круг се:

Електрична спроводливост се вика:

Равенакта $R = R_0(1 + \alpha t)$ ја претставува:

Електрична светилка со отпор од 50Ω е приклучена на напон од 220V. Низ светилката тече струја со јачина:

На извор на струја паралелно се приклучени потрошувачи со различен отпор. Јачината на струјата е:

13. Физика - Општо образование

Прашање

За разгранети струјни кола важат:

Алгебарскиот збир на сите електромоторни сили во една затворена контура на електричното струјно коло е еднаков на алгебарскиот збир на падовите на напоните во таа контура. Ова е:

Првото правило на Кирхов гласи:

Низ напречниот пресек на спроводник за 7s поминува количество електричество од 56C. Јачината на електричната струја изнесува:

Две жици од ист материјал и иста површина на напречниот пресек имаат електрични отпори кои се однесуваат како $\frac{R_1}{R_2} = \frac{2}{3}$. Односот на должините на тие жици ќе биде:

Ако должината и напречниот пресека на проводникот се зголемат по 2 пати, отпорот на проводникот

13. Физика - Општо образование

Прашање

Ако отпорот на даден проводник изнесува 10Ω и на неговите краеве има напон

$$U = 12 \text{ V}$$

колкаво количество електричество

Q ќе помине низ проводникот за време од 20 s ?

Ако два отпорника со електричен отпор од 2Ω и од 4Ω се сврзани паралелно во електрично коло, тогаш вкупниот отпор изнесува:

Мерната единица 1Тесла се користи за изразување на:

13. Физика - Општо образование

Прашање

Магнетните силиви линии:

Бројот на силиви линии што поминуваат низ единица површина, се вика:

Во зависност од магнетните својства, супстанциите се делат на:

Индуцираната електромоторна сила е пропорционална со:

Единица за индуцирана електромоторна сила е:

Околу секој спроводник низ кој тече струја, се создава:

13. Физика - Општо образование

Прашање

Мерната единица за магнетна индукција 1Т е дефинирана со изразот:

Секој магнет има два пола:

Релативна магнетна пермеабилност претставува:

Лоренцова сила се вика:

Јачината на магнетното поле на прав проводник се пресметува со:

Магнетниот флуks низ правоаголна површина со плоштина 15cm^2 и магнетна индукција 0,2 Т изнесува

Мерната единица 1Вебер се користи за изразување на:

13. Физика - Општо образование

Прашање

Врската помеѓу јачината

H

и индукцијата B на магнетно поле во средина со релативна магнетна пермеабилност

μ

μ_r ,

(ако

μ

μ_0

$= 4\pi \cdot 10^{-7}$

N/

A

2

-

магнетна пермеабилност на вакуум

) е дадена со изразот:

Супстанциите кај кои со нивно внесување во надворешно магнетно поле се создава резултантно поле кое е многу многу пати појако од надворешното, се викаат:

Во проводник со должина 20cm , кој се движи со брзина 5m/s во хомогено магнетно поле со магнетна индукција 0,01T се индуцира електромоторна сила:

13. Физика - Општо образование

Прашање

Максималната магнетна сила која дејствува на полнеж со големина $q=10^{-9}$ C, е $F=8 \times 10^{-10}$ N.

Магнетната индукција на полето е 4Т. Брзината на полнежот е :

Јачината на магнетното поле на прав спроводник низ кој тече струја со јачина од 2А, на растојание од 1m изнесува:

Сопствената фреквенција на електрично осцилаторно коло, каде L претставува индуктивитетот на калемот, C капацитетот на кондензаторот е дадена со изразот:

Кога во праволиниски проводник се создадат електромагнетни осцилации, во околината се шират:

13. Физика - Општо образование

Прашање

На масата кај механичките осцилации, аналогната величината кај електричните осцилации е:

Кај електромагнетните бранови, векторот на јачина на електричното поле и векторот на магнетната индукција се меѓусебно:

Видливата светлина за човекот е дел од спектарот на електромагнетни бранови со бранова должина:

Во коло со наизменична струја, ако максималната вредност на јачината на наизменичната струја изнесува $7A$, тогаш нејзината ефективна вредност изнесува:

Во идеално електрично осцилаторно коло доаѓа до претворање на:

Промените на напонот и јачината на наизменичната струја се опишани со:

13. Физика - Општо образование

Прашање

Во коло на наизменична струја може да се разликува:

Со намалување на растојанието меѓу плочите на кондензаторот во електричното осцилаторно коло, може да се:

Ултравиолетовите зраци во спектарот на електромагнетните бранови се сместени помеѓу:

Сите видови електромагнетни бранови се шират со:

Брзината на ширење на електромагнетните бранови во вакуум е:

Промената на јачината на наизменичната струја е дадена со равенката:

Во електричен круг со наизменична струја, кондензаторот создава:

13. Физика - Општо образование

Прашање

Соленоид поврзан во коло на наизменична струја создава:

Индуктивниот отпор се пресметува со равенката:

Капацитативниот отпор се пресметува со равенката:

Кога со волтметар се мери напонот во коло со наизменична струја, волтметарот ја покажува:

Телевизијата претставува систем на предавање и прием на слики со помош на:

Трансформаторите работат врз основа на принципот на електромагнетна индукција и се употребуваат за:

Ако капацитетот на кондензаторот изнесува $5nF$, тогаш неговиот капацитативен отпор во коло со наизменична струја ќе изнесува:

Двојната пророда на светлината значи дека светлината ја разгледуваме како:

13. Физика - Општо образование

Прашање

Брзината на светлината:

Основна единица за јачина на светлина во SI системот е:

Во геометриската оптика светлината се претставува со:

Светлосен зрак паѓа нормално на граничната метална површина. Одбиениот зрак е:

Кога светлината поминува од оптички погуста во оптички поретка средина, тогаш аголот на прекршување е:

Ликот што го дава рамно огледало е:

Кога светлината поминува од оптички поретка во оптички погуста средина, брзината на светлината ќе:

Сферните огледала можат да бидат:

Кај испакнатите огледала ликовите се:

13. Физика - Општо образование

Прашање

Брзината на светлината во вакуум изнесува:

Кога светлината поминува од една во друга средина, во која светлината има различна брзина на ширење, се случува:

Врз принципот на тоталната рефлeksiја функционира:

За прекршувањето на светлината кога поминува од една во друга оптичка средина важи:

Појавата тотална рефлeksiја се применува кај:

При прекршување на белата светлина врз оптичка призма се добива:

13. Физика - Општо образование

Прашање

Сахариметарот е апарат за мерење на количество на шеќер во крвта, врз основа на појавата на:

Ако излезната работа за цезиум $A = 1,8 \text{ eV}$, изразена во единица џул е:

Тенките оптички леќи според тоа како ги прекршуваат светлинските зраци, може да бидат:

Енергијата на еден квант се одредува со равенката:

Ако предметот се наоѓа на растојание од 1m од рамно огледало, тогаш ликот ќе биде:

13. Физика - Општо образование

Прашање

Јачината на леќата е:

Лупата се користи за:

Фреквенцијата на електромагнетен бран со бранова должина $\lambda = 150\text{m}$, кој се шири во вакуум со брзина $c = 3 \times 10^8 \text{ m/s}$, е:

Јачината на леќата со фокусно растојание f е:

Со помош на собирна леќа со фокусно растојание $f = 25\text{cm}$ се добива лик на растојание $l = 75\text{cm}$ од неа. Добиениот лик е:

Сферно огледало со фокусно растојание од 25cm има радиус на кривината од:

13. Физика - Општо образование

Прашање

Ако леќата има фокусно растојание 10cm, јачината на леќата ќе биде:

Ако големината на предметот изнесува 30 cm
, а големината на ликот 45 cm
, тогаш зголемувањето на лупата изнесува:

Фотоелектричен ефект е појава на:

Собирна леќа со јачина 4D има фокусно растојание од:

Зголемувањето на лупата е 4 пати, ликот е 12 mm
. Колку изнесува големината на предметот?

13. Физика - Општо образование

Прашање

Мерењето на физичките величини карактеристични за зрачењето на светлина, се вика:

Светлински флукс е:

1 Лумен е:

Интензитетот на електромагнетниот бран, е:

Фотометри се уреди со кои се мери:

Осветлувањето на дадена површина е:

При определена јачина на зрачењето, осветлувањето:

13. Физика - Општо образование

Прашање

Ако електромагнетното зрачење има фреквенција $3 \cdot 10^{12}$ Hz, (ако $h = 6,6 \cdot 10^{-34}$ Js - Планкова константа), неговата енергија ќе изнесува:

Светлина со јачина од 50cd паѓа нормално на некоја површина која е оддалечена од изворот на светлина за 50cm. Осветленоста на површината е:

При определена јачина на зрачењето I , зависноста на осветлувањето E од оддалеченоста R од изворот на светлина е даден со равенката:

Атомот е составен од позитивно атомско јадро и електрони кои се движат околу атомското јадро, според:

Неутроните се:

Појавата на спонтана емисија на наелектризирани честици и електромагнетни бранови од атомите на некои елементи се вика:

13. Физика - Општо образование

Прашање

Од јадрата на β радиоактивните елементи се емитираат:

Јадрата на оловото Pb_{82}^{206} , $82Pb207$ се:

Толкувај ја јадрената фузија:

Нуклеарна фисија претставува:

Верижна јадрена реакција претставува:

Заокружи што се случува во јадрените реактори:

Вилсоновата комора е уред за:

Неконтролирана нуклеарна фузија е остварена кај:

Позитивно наелектризирано тело има:

13. Физика - Општо образование

Прашање

Атомот како електронеутрална честица е изграден од:

Електричните сили линии:

Големината на Кулоновата сила помеѓу два точкасти полнежи поставени во вакуум зависи:

Два точкасти полнежи се пренесуваат од вакуум во дадена средина со релативна диелектрична константа ϵ

r

Големината на Кулоновата сила помеѓу нив:

Како ќе се промени Кулоновата сила помеѓу два точкасти електрични полнежи, ако количеството електричество на секој полнеж се зголеми три пати, а растојанието меѓу нив се намали три пати?

13. Физика - Општо образование

Прашање

Насоченото движење на електричните полнежи се вика:

Носители на електрична струја во металите се:

Носители на електрична струја во електролитите се:

Специфичната спроводливост на проводникот се мери со единица мерка:

Мерната единица за специфичниот електричен отпор е:

13. Физика - Општо образование

Прашање

Низ даден проводник за време од
 3
 s
поминува количество електричество од
 36
 C
·
Јачината на електричната струја изнесува:

Електричниот отпор на проводник зависи правопрпорционално со:

Со зголемување на плоштината на напречниот пресек 2 пати,
отпорот на проводникот:

При сериско врзување на отпорници со различен електричен отпор:

13. Физика - Општо образование

Прашање

Колкав отпор треба да се врзе паралелно со отпор од
1
2 Ω
за да се добие еквивалентен отпор од 4 Ω ?

Батерија со електромоторна сила
10
V
и внатрешен отпор 1 Ω е поврзана со надворешен отпор 9 Ω . Јачината на струјата во колото изнесува:

Просторот во кој се чувствува дејството на магнетот се вика:

Магнетните силиви линии:

Јачината на магнетното поле кај соленоидот:

13. Физика - Општо образование

Прашање

Супстанциите кои со нивно внесување во надворешно магнетно поле создаваат резултантно поле кое е појако од надворешното, се викаат:

Силата со која магнетното поле дејствува на наелектризирана честица која со одредена брзина се движи во него, се вика:

Коефициентот на самоиндукција на соленоид:

Протон (со полнеж $1,6 \cdot 10^{-19} \text{C}$) влетува во магнетно поле со индукција $0,5 \text{ T}$ нормално на магнетните силиви линии со брзина $2 \cdot 10^6 \text{ m/s}$

Силата со која полето дејствува на протонот изнесува:

13. Физика - Општо образование

Прашање

Колкава ЕМС на самоиндукција ќе се појави во калем со индуктивитет од 68 мН, ако струја со јачина 3,6А исчезнува за 12 ms ?

Електричниот осцилаторен круг се состои од:

На величината индуктивитет кај електричните осцилации, соодветно кај механичките осцилации одговара величината:

Процесот на простирање на електромагнетното поле, кое периодично се менува е наречено:

Кондензатор поврзан во коло на наизменична струја создава:

13. Физика - Општо образование

Прашање

Периодот на електричните осцилации може да се зголеми:

Инфрацрвените зраци во спектарот на електромагнетните бранови сместени се помеѓу:

Ултравioletовите зраци имаат:

Магнетната енергија на намотката со индуктивитет од $0,2 \text{ H}$, кога при електрични осцилации низ неа тече струја со јачина 40 mA , изнесува:

Ликот добиен со рамно огледало секогаш е:

Формирањето на сенка и полусенка се потврда на законот за:

13. Физика - Општо образование

Прашање

Зраците кои се карактеризираат со топлинско дејство се викаат:

Растурната леќа секогаш дава:

Појавата на сложување на два или повеќе кохерентни бранови се вика:

Ако предметот е поставен во фокусот на сферно огледало тогаш:

Појавата ва дифракција може да се набљудува:

Лупата претставува:

Конвексното огледало секогаш дава:

13. Физика - Општо образование

Прашање

При премин на светлинскиот зрак од оптички погуста во оптички поретка средина тој:

Енергијата на електромагнетното зрачење зависи:

Појавата на избивање на електрони од металите под дејство на електромагнетно зрачење, се вика:

Ако радиусот на сферно огледало изнесува 30cm, тогаш неговото фокусно растојание е:

Јачината на леќа со фокусно растојание 5 cm изнесува:

13. Физика - Општо образование

Прашање

**Ако големината на предметот изнесува 10 см
, а големината на ликот 5 см
, тогаш зголемувањето на огледалото изнесува:**

Кинетичката енергија што ја добиваат електроните во појавата на фотоефект, за да ја напуштат површината на металот:

Најмалата енергија на електромагнетното зрачење се вика:

Работата што треба да се изврши, за да може електронот во појавата на фотоефект да ја напушти површината на металот, се вика:

Црвената граница на фотоефектот претставува:

13. Физика - Општо образование

Прашање

Ако A

i

претставува излезната работа на металот, E_k кинетичката енергија што ја добиваат електроните, тогаш енергијата на фотонот hf

согласно равенката за фотоефект е дадена со изразот:

Електромагнетното зрачење со фреквенција

$5 \cdot 10^{14}$

Hz

има енергија ($h = 6,6 \cdot 10^{-34}$ Js Планкова константа):

Атомот е изграден од:

Атомското јадро е изградено од:

Согласно Боровите квантни постулати, кога електронот се движи по дозволената орбита:

13. Физика - Општо образование

Прашање

Изотопи се јадра:

Енергетска карактеристика на електричното поле, е:

Ако отпорот на проводникот сезначи со

R

, напонот на краевите од проводникот со

U

, а јачината на струјата со I , тогаш Омовиот закон за дел од струјното коло е даден со изразот:

Вкупнит отпор на три отпорници со еднаков отпор R , сврзани сериски изнесува:

13. Физика - Општо образование

Прашање

Работата на надворешните сили во извор на струја со електромоторна сила V за пренесување на полнеж од $q=5 \text{ C}$ е:

Јачината на магнетното поле се мери:

Ако проводник со должина

l

поставен под агол α

во однос на магнетните силиви линии, се движи рамномерно со брзина v

во магнетното поле со магнетна индукција B , индуцираната ЕМС се пресметува:

Волтметарот во коло на наизменична струја покажува

220

V

.

13. Физика - Општо образование

Прашање

Јадрото на олово ${}^{82}\text{Pb}$ содржи: **227**

Уредите кои се користат за менување на напонот и јачината на наизменичната струја, се викаат:

Ако во струјното коло постои фазна разлика меѓу јачината на струјата и напонот, тогаш активната (корисна) моќност на наизменична струја се одредува со формулата:

Ако низ електрична светилка со отпор од $60\ \Omega$ тече електрична струја од 2A , таа е приклучена на напон од:

Во струјно коло сериски се сврзани отпорници со отпори 7Ω , 10Ω и 15Ω . Колку изнесува вкупниот отпор во колото?

14. Француски (Втор странски јазик) - Општо образование

Прашање

Quel mot n'est pas lié au thème: Environnement?

Trouvez le mot qui signifie un état psychologique.

Cochez le mot qui signifie un trait de caractère.

Quel mot est lié au programme télévisé?

Comment voyage-t-on par la mer?

On jette les ordures dans:

Quel mot appartient au thème: Beautés naturelles?

Avant de partir en voyage nous préparons nos:

Quel est le synonyme du verbe téléphoner ?

Quel mot est lié au thème:Internet?

Trouvez le mot lié au thème: Voyage.

14. Француски (Втор странски јазик) - Општо образование

Прашање

Quel est le synonyme du mot voiture?

Trouvez sa profession: Il dirige la circulation, il est _____.

**Trouvez le mot correct pour finir la phrase: Vous devez partir en train ?
Allez à _____ .**

**Terminez la phrase: Marie-Rose est à la station, elle va
prendre _____.**

Trouvez le mot correct pour finir la phrase :

Votre robe est prête. Vous pouvez _____ .

Terminez la phrase: Il y a beaucoup de neige, on peut _____.

Continuez la phrase: On va dans une agence de voyage pour:

**Trouvez le mot correct pour finir la phrase: Notre contrat est prêt. Vous
pouvez-vous le _____ ?**

14. Француски (Втор странски јазик) - Општо образование

Прашање

Avant de l'envoyer, on met la lettre dans une:

Continuez la phrase: Je vais à la campagne pour admirer _____.

Continuez la phrase: J'aime jouer avec des jeux video sur _____.

Cochez l'adverbe de temps parmi les mots suivants.

Quel verbe est conjugué au futur proche?

Choisissez le nombre ordinal 4.

Trouvez le verbe conjugué au conditionnel présent.

Quel est le verbe qui est conjugué au futur simple ?

Trouvez la préposition de lieu.

14. Француски (Втор странски јазик) - Општо образование

Прашање

Quelle phrase indique un action au passé récent:

Dans quelle phrase on parle du passé?

Complétez la phrase suivante avec le pronom relatif correcte: La dame _____ parle est notre directrice.

Choisissez la préposition correspondante: Notre maison se trouve _____ cinéma Rex.

Trouvez la forme correcte du verbe se lever: La mèreà six heure.

Complétez la phrase avec la conjonction correcte :Il écrit sa biographie professionnelle _____ se présenter à un concours.

Complétez avec un pronom relatif : C'est la ville _____ j'ai passé mon enfance.

Complétez la phrase: On vend ces spécialitéselles sont délicieuses.

14. Француски (Втор странски јазик) - Општо образование

Прашање

Continuez la phrase suivante avec le verbe appeler au temps qui convient: Il est 14 h. À 10h il _____ son dentiste.

Complétez la phrase suivante avec la forme correcte du verbe aller: Dans trois semaines, nous.....en vacances.

Cochez la bonne question à la réponse suivante: Je suis au bureau.

Trouvez la réponse correcte à la question suivante: Pourquoi as-tu appelé Paul?

Cochez la forme correcte du verbe sortir dans la phrase: Chaque soir, pendant les vacances dernières, on _____ avec nos amis anglais.

14. Француски (Втор странски јазик) - Општо образование

Прашање

Complétez avec la forme correcte du verbe voir: Est-ce que ton frère _____ le dernier film de Luc Besson ?

Répondez à la question suivante en utilisant le pronom correspondant: Vous rentrez de Madrid ce soir?

Complétez la phrase suivante avec la forme correcte du verbe passer: Demain, nous _____ un examen.

Répondez à la question suivante: Téléphonnez- vous aux enfants?

La phrase: Ils ne connaissent que l'anglais. signifie qu':

Trouvez la phrase avec laquelle on exprime un souhait.

On peut exprimer un regret par la phrase:

Avec l'expression: Je pense que ... on exprime:

14. Француски (Втор странски јазик) - Општо образование

Прашање

Trouvez la phrase avec laquelle on donne un conseil.

Compléter la phrase pour exprimer un souhait :

..... **voyager en France.**

Avec quelle phrase exprime-t-on un conseil?

On donne un conseil avec la phrase suivante :

Comment exprime-t-on un souhait?

Cochez la phrase exprimant le regret.

Quel énoncé exprime une possibilité?

Comment demande-t-on une opinion?

14. Француски (Втор странски јазик) - Општо образование

Прашање

Comment exprime-t-on la possibilité?

Avec quelle phrase exprime-t-on une probabilité ?

Avec quelle phrase exprime-t-on le regret?

Vous donnez un conseil à un ami. Vous lui dites:

Vous voulez demander une opinion. Vous dites:

Comment exprime-t-on la certitude?

On exprime la probabilité avec la phrase:

Comment peut-on demander une opinion?

Avec la phrase

:

D'après moi, il est bon d'étudier ensemble pour cet examen. on exprime

:

14. Француски (Втор странски јазик) - Општо образование

Прашање

À la phrase suivante: Je ne peux pas venir à ton anniversaire. **vous dites :**

Определи со која реченица одговараме на исказот: Malheureusement, le voyage est annulé.

Trouvez l'énoncé qui est équivalent à la phrase suivante: Je crois qu'elle arrive ce soir.

Avec la phrase: À mon avis, tu peux étudier mieux. **on exprime:**

Avec la phrase: Je ne partage pas ton point de vue. **on exprime:**

Avec la phrase: Peut-être qu'il arrivera tôt. **on exprime :**

Avec la phrase suivante: Il faut réfléchir bien à ce problème. **on exprime :**

Avec la phrase: Je suis sûr qu'ils sont partis. **on exprime:**

Répondez à la question suivante en exprimant une certitude: Tu es sûr qu'il pleuvra demain?

14. Француски (Втор странски јазик) - Општо образование

Прашање

Avec la phrase: Ce doit être un architecte. on exprime:

Lisez le texte suivant et puis répondez en cochant la réponse correcte.

L E B O N P L A T
17, place Ch.de Gaulle -33000 Bordeaux
Cherche un(e) serveur/serveuse
Minimum 23 ans,
deux années d'expérience
dans la restauration.
Anglais indispensable.

Contactez M. Benoit-05 56 10 51 47

De quel type de document s'agit-il?

Lisez le texte suivant et puis répondez en cochant la réponse correcte.

L E B O N P L A T
17, place Ch.de Gaulle -33000 Bordeaux
Cherche un(e) serveur/serveuse
Minimum 23 ans,
deux années d'expérience
dans la restauration.
Anglais indispensable.

Contactez M. Benoit-05 56 10 51 47

Qu'est-ce que "Le bon plat" ?

14. Француски (Втор странски јазик) - Општо образование

Прашање

Lisez le texte suivant et puis répondez en cochant la réponse correcte.

L E B O N P L A T
17, place Ch.de Gaulle -33000 Bordeaux
Cherche un(e) serveur/serveuse
Minimum 23 ans,
deux années d'expérience
dans la restauration.
Anglais indispensable.
Contactez M. Benoit-05 56 10 51 47

Quel âge doit avoir le/la serveur/serveuse?

Lisez le texte suivant et puis répondez en cochant la réponse correcte.

L E B O N P L A T
17, place Ch.de Gaulle -33000 Bordeaux
Cherche un(e) serveur/serveuse
Minimum 23 ans,
deux années d'expérience
dans la restauration.
Anglais indispensable.
Contactez M. Benoit-05 56 10 51 47

Le/La candidat/e pour le poste de serveur/serveuse devait travailler dans le secteur:

14. Француски (Втор странски јазик) - Општо образование

Прашање

Lisez le texte suivant et puis répondez en cochant la réponse correcte.

L E B O N P L A T
17, place Ch.de Gaulle -33000 Bordeaux
Cherche un(e) serveur/serveuse
Minimum 23 ans,
deux années d'expérience
dans la restauration.
Anglais indispensable.
Contactez M. Benoit-05 56 10 51 47
**« Anglais indispensable » veut dire qu'on cherche un(e)
serveur/serveuse:**

Lisez le texte suivant et puis répondez en cochant la réponse correcte.

L E B O N P L A T
17, place Ch.de Gaulle -33000 Bordeaux
Cherche un(e) serveur/serveuse
Minimum 23 ans,
deux années d'expérience
dans la restauration.
Anglais indispensable.
Contactez M. Benoit-05 56 10 51 47
Il faut contacter M.Benoit par:

14. Француски (Втор странски јазик) - Општо образование

Прашање

Lisez le texte suivant et puis répondez en cochant la réponse correcte.

Les mers sont malades. Nous devons les sauver. Il ne faut pas jeter des déchets dans la mer, mais dans une poubelle! Ne mettons pas en danger notre futur!

Dans le texte on parle:

Lisez le texte suivant et puis répondez en cochant la réponse correcte.

Les mers sont malades. Nous devons les sauver. Il ne faut pas jeter des déchets dans la mer, mais dans une poubelle! Ne mettons pas en danger notre futur!

Quel est le message du texte?

14. Француски (Втор странски јазик) - Општо образование

Прашање

Lisez le texte suivant et puis répondez en cochant la réponse correcte.

Les mers sont malades. Nous devons les sauver. Il ne faut pas jeter des déchets dans la mer, mais dans une poubelle! Ne mettons pas en danger notre futur!

L'expression « Les mers sont malades » signifie que:

Lisez le texte suivant et puis répondez en cochant la réponse correcte.

Les mers sont malades. Nous devons les sauver. Il ne faut pas jeter des déchets dans la mer, mais dans une poubelle! Ne mettons pas en danger notre futur!

Trouvez le titre qui convient le plus au texte.

14. Француски (Втор странски јазик) - Општо образование

Прашање

Lisez le texte suivant et puis répondez en cochant la réponse correcte.

Allo! Bonjour, je voudrais réserver une table pour dix personnes, pour jeudi 12 mars, à 20 heures.

Dans le texte il s'agit:

Lisez le texte suivant et puis répondez en cochant la réponse correcte.

Allo! Bonjour, je voudrais réserver une table pour dix personnes, pour jeudi 12 mars, à 20 heures.

L'un des interlocuteurs se trouve dans:

14. Француски (Втор странски јазик) - Општо образование

Прашање

Lisez le texte suivant et puis répondez en cochant la réponse correcte.

Allo! Bonjour, je voudrais réserver une table pour dix personnes, pour jeudi 12 mars, à 20 heures.

Combien d'interlocuteurs participent dans la conversation?

Lisez le texte suivant et puis répondez en cochant la réponse correcte.

LE GROUPE GLOBE -AIDE .COM

A l'honneur de vous inviter à la réunion de direction
le 23 avril à 16 heures
53, rue de la Liberté
75007 Paris

Une voiture attendra à l'aéroport Charles de Gaulle nos invités de l'étranger.
Pour tout renseignement sur la réunion du 23 avril,
Vous pouvez contacter Laurence,
au + 33 1 45 15 2

vous écrivez sur : llaurence@voila.fr **Le texte représente:**

14. Француски (Втор странски јазик) - Општо образование

Прашање

Lisez le texte suivant et puis répondez en cochant la réponse correcte.

LE GROUPE GLOBE -AIDE .COM

A l'honneur de vous inviter à la réunion de direction
le 23 avril à 16 heures
53, rue de la Liberté
75007 Paris

Une voiture attendra à l'aéroport Charles de Gaulle nos invités de l'étranger.
Pour tout renseignement sur la réunion du 23 avril,
Vous pouvez contacter Laurence,
au + 33 1 45 15 2
vous écrivez sur : llaurence@voila.fr

En quelle saison aura lieu la réunion ?

14. Француски (Втор странски јазик) - Општо образование

Прашање

Lisez le texte suivant et puis répondez en cochant la réponse correcte.

LE GROUPE GLOBE -AIDE .COM

A l'honneur de vous inviter à la réunion de direction
le 23 avril à 16 heures
53, rue de la Liberté
75007 Paris

Une voiture attendra à l'aéroport Charles de Gaulle nos invités de l'étranger.
Pour tout renseignement sur la réunion du 23 avril,
Vous pouvez contacter Laurence,
au + 33 1 45 15 2
vous écrivez sur : llaurence@voila.fr

A qui peut-on s`adresser pour demander des informations?

Lisez le texte suivant et puis répondez en cochant la réponse correcte.

LE GROUPE GLOBE -AIDE .COM

A l'honneur de vous inviter à la réunion de direction
le 23 avril à 16 heures
53, rue de la Liberté
75007 Paris

Une voiture attendra à l'aéroport Charles de Gaulle nos invités de l'étranger.
Pour tout renseignement sur la réunion du 23 avril,
Vous pouvez contacter Laurence,
au + 33 1 45 15 2
vous écrivez sur : llaurence@voila.fr

Comment peut-on contacter Laurence?

14. Француски (Втор странски јазик) - Општо образование

Прашање

Lisez le texte attentivement et puis répondez aux questions.

Rennes

le 17/09

Chère Solène,

Ça y est, toute la famille est réunie. Nous sommes à Rennes depuis le 2 septembre, mais ça fait cinq mois que Pierre, lui, travaille à l'hôpital de la ville. J'ai trouvé un travail à la mairie et on s'est bien installés. Léo va à l'école juste à coté de notre appartement. Magali m'inquiète un peu. Elle ne mange plus depuis trois jours et elle est toujours fatiguée. Elle a peu être un chagrin de l'amour. Et nos amis Ferreira? Il y a au moins trois mois qu'on n'a pas reçu leurs nouvelles. Embrasse- les de ma part.

Bises,

Marie **Où se trouve l'école de Léo ?**

Lisez le texte attentivement et puis répondez aux questions.

Rennes

le 17/09

Chère Solène,

Ça y est, toute la famille est réunie. Nous sommes à Rennes depuis le 2 septembre, mais ça fait cinq mois que Pierre, lui, travaille à l'hôpital de la ville. J'ai trouvé un travail à la mairie et on s'est bien installés. Léo va à l'école juste à coté de notre appartement. Magali m'inquiète un peu. Elle ne mange plus depuis trois jours et elle est toujours fatiguée. Elle a peu être un chagrin de l'amour. Et nos amis Ferreira? Il y a au moins trois mois qu'on n'a pas reçu leurs nouvelles. Embrasse- les de ma part.

Bises,

Marie

De quel type de texte s'agit-il?

14. Француски (Втор странски јазик) - Општо образование

Прашање

Lisez le texte attentivement et puis répondez aux questions.

Rennes

le 17/09

Chère Solène,

Ça y est, toute la famille est réunie. Nous sommes à Rennes depuis le 2 septembre, mais ça fait cinq mois que Pierre, lui, travaille à l'hôpital de la ville. J'ai trouvé un travail à la mairie et on s'est bien installés. Léo va à l'école juste à coté de notre appartement. Magali m'inquiète un peu. Elle ne mange plus depuis trois jours et elle est toujours fatiguée. Elle a peut être un chagrin d'amour. Et nos amis Ferreira? Il y a au moins trois mois qu'on n'a pas reçu leurs nouvelles. Embrasse-les de ma part.

Bises,

Marie

Depuis combien de temps Magali ne va pas bien?

Lisez le texte suivant et puis répondez en cochant la réponse correcte.

Tous les voyageurs sont invités à descendre du train. Attention aux bagages.

Il s'agit d'une:

14. Француски (Втор странски јазик) - Општо образование

Прашање

Lisez le texte suivant et puis répondez en cochant la réponse correcte.

Tous les voyageurs sont invités à descendre du train. Attention aux bagages.

**Où peut-on entendre cet
é
noncé?**

Lisez le texte suivant et puis répondez en cochant la réponse correcte.

Tous les voyageurs sont invités à descendre du train. Attention aux bagages.

Les voyageurs, à quoi doivent-ils faire attention?

14. Француски (Втор странски јазик) - Општо образование

Прашање

Lisez le texte suivant et puis répondez en cochant la réponse correcte.

Tous les voyageurs sont invités à descendre du train. Attention aux bagages.

Les voyageurs se trouvent:

14. Француски (Втор странски јазик) - Општо образование

Прашање

Lisez le message suivant et répondez aux questions en cochant la bonne case:

Le 17 /05 / 2014

Chère Julie,

Nadia et moi, nous ouvrons un restaurant rue Broussac, à côté de la maison de Jacqueline. N'oublie pas d'apporter ton appareil photo. Je compte sur toi pour faire des photos des invités.

Merci d'avance.
Jean

Qui envoie ce message?

Lisez le message suivant et répondez aux questions en cochant la bonne case:

Le 17 /05 / 2014

Chère Julie,

Nadia et moi, nous ouvrons un restaurant rue Broussac, à côté de la maison de Jacqueline. N'oublie pas d'apporter ton appareil photo. Je compte sur toi pour faire des photos des invités.

Merci d'avance.
Jean

De quel document s'agit-il ?

14. Француски (Втор странски јазик) - Општо образование

Прашање

Lisez le message suivant et répondez aux questions en cochant la bonne case:

Le 17 /05 / 2014

Chère Julie,

Nadia et moi, nous ouvrons un restaurant rue Broussac, à côté de la maison de Jacqueline. N'oublie pas d'apporter ton appareil photo. Je compte sur toi pour faire des photos des invités.

Merci d'avance.

Jean

Ce message est écrit pour:

Lisez le message suivant et répondez aux questions en cochant la bonne case:

Le 17 /05 / 2014

Chère Julie,

Nadia et moi, nous ouvrons un restaurant rue Broussac, à côté de la maison de Jacqueline. N'oublie pas d'apporter ton appareil photo. Je compte sur toi pour faire des photos des invités.

Merci d'avance.

Jean

Qui va faire des photos?

14. Француски (Втор странски јазик) - Општо образование

Прашање

Lisez le message suivant et répondez aux questions en cochant la bonne case:

Le 17 /05 / 2014

Chère Julie,

Nadia et moi, nous ouvrons un restaurant rue Broussac, à côté de la maison de Jacqueline. N'oublie pas d'apporter ton appareil photo. Je compte sur toi pour faire des photos des invités.

Merci d'avance.

Jean

Le nouveau restaurant se trouve :

Lisez le message suivant et répondez aux questions en cochant la bonne case:

Le 17 /05 / 2014

Chère Julie,

Nadia et moi, nous ouvrons un restaurant rue Broussac, à côté de la maison de Jacqueline. N'oublie pas d'apporter ton appareil photo. Je compte sur toi pour faire des photos des invités.

Merci d'avance.

Jean

Qui ouvre le restaurant?

14. Француски (Втор странски јазик) - Општо образование

Прашање

Lisez le message suivant et répondez aux questions en cochant la bonne case:

Le 17 /05 / 2014

Chère Julie,

Nadia et moi, nous ouvrons un restaurant rue Broussac, à côté de la maison de Jacqueline. N'oublie pas d'apporter ton appareil photo. Je compte sur toi pour faire des photos des invités.

Merci d'avance.

Jean

En quelle saison a lieu l'événement?

14. Француски (Втор странски јазик) - Општо образование

Прашање

Lisez le message suivant et répondez aux questions en cochant la bonne case:

Le 17 /05 / 2014

Chère Julie,

Nadia et moi, nous ouvrons un restaurant rue Broussac, à côté de la maison de Jacqueline. N'oublie pas d'apporter ton appareil photo. Je compte sur toi pour faire des photos des invités.

Merci d'avance.

Jean

**Jean, qu'est-ce qu'il demande
à
Julie ?**

14. Француски (Втор странски јазик) - Општо образование

Прашање

Lisez le texte et répondez aux questions en cochant la bonne case.

Chère Léa,

Étienne et moi, nous sommes actuellement à Barcelone, chez Alicia. Nous sommes arrivés vendredi en avion. Samedi, Alicia et moi, nous sommes allées faire des courses. Nous avons marché toute la journée. Le soir, nous sommes allés au restaurant tous les trois et nous sommes rentrés à deux heures du matin. Nous avons passé une excellente soirée!

Ce matin, nous avons visité le musée Picasso et, cet après-midi, nous sommes allés au parc Güell.

C'est magnifique! Nous rentrons dans deux jours.

À bientôt. Bisous,

Mathilde

Qui est allé en Espagne?

14. Француски (Втор странски јазик) - Општо образование

Прашање

Lisez le texte et répondez aux questions en cochant la bonne case.

Chère Léa,

Étienne

et moi, nous sommes actuellement à Barcelone, chez Alicia. Nous sommes arrivés vendredi en avion. Samedi, Alicia et moi, nous sommes allées faire des courses. Nous avons marché toute la journée. Le soir, nous sommes allés au restaurant tous les trois et nous sommes rentrés à deux heures du matin. Nous avons passé une excellente soirée!

Ce matin, nous avons visité le musée Picasso et, cet après-midi, nous sommes allés au parc Güell.

C'est magnifique! Nous rentrons dans deux jours.

À bientôt. Bisous,

Mathilde

Mathilde et Alicia, qu'est-ce qu'elles ont fait samedi?

14. Француски (Втор странски јазик) - Општо образование

Прашање

Lisez le texte et répondez aux questions en cochant la bonne case.

Chère Léa,

Étienne

et moi, nous sommes actuellement à Barcelone, chez Alicia. Nous sommes arrivés vendredi en avion. Samedi, Alicia et moi, nous sommes allées faire des courses. Nous avons marché toute la journée. Le soir, nous sommes allés au restaurant tous les trois et nous sommes rentrés à deux heures du matin. Nous avons passé une excellente soirée!

*Ce matin, nous avons visité le musée Picasso et, cet après-midi, nous sommes allés au parc Güell.
C'est magnifique! Nous rentrons dans deux jours.*

À bientôt. Bisous,

Mathilde

Mathilde, Étienne et Alicia, où se sont-ils amusés?

14. Француски (Втор странски јазик) - Општо образование

Прашање

Lisez le texte et répondez aux questions en cochant la bonne case.

Chère Léa,

Étienne et moi, nous sommes actuellement à Barcelone, chez Alicia. Nous sommes arrivés vendredi en avion. Samedi, Alicia et moi, nous sommes allées faire des courses. Nous avons marché toute la journée. Le soir, nous sommes allés au restaurant tous les trois et nous sommes rentrés à deux heures du matin. Nous avons passé une excellente soirée!

Ce matin, nous avons visité le musée Picasso et, cet après-midi, nous sommes allés au parc Güell.

C'est magnifique! Nous rentrons dans deux jours.

À bientôt. Bisous,

Mathilde

Combien de temps restent-ils en Espagne ?

14. Француски (Втор странски јазик) - Општо образование

Прашање

Lisez le texte et répondez aux questions en cochant la bonne case:

Corine et Frédéric

Ont la joie de vous faire part de leur mariage.

Les cérémonies civile et religieuse seront célébrées

le samedi 2 juin 2013

à 16h 30 à la mairie et à 17h au temple de Moussac.

Nous serions heureux de vous retrouver après les cérémonies

Au "Foyer" pour l'apéritif.

M. et Mme Dupont

M. et Mme Charles

De quel type de texte s'agit-il?

14. Француски (Втор странски јазик) - Општо образование

Прашање

Lisez le texte et répondez aux questions en cochant la bonne case:

Corine et Frédéric

Ont la joie de vous faire part de leur mariage.

Les cérémonies civile et religieuse seront célébrées

le samedi 2 juin 2013

à 16h 30 à la mairie et à 17h au temple de Moussac.

Nous serions heureux de vous retrouver après les cérémonies

Au "Foyer" pour l'apéritif.

M. et Mme Dupont

M. et Mme Charles

Le cocktail aura lieu:

14. Француски (Втор странски јазик) - Општо образование

Прашање

Lisez le texte et répondez aux questions en cochant la bonne case:

Corine et Frédéric

Ont la joie de vous faire part de leur mariage.

Les cérémonies civile et religieuse seront célébrées

le samedi 2 juin 2013

à 16h 30 à la mairie et à 17h au temple de Moussac.

Nous serions heureux de vous retrouver après les cérémonies

Au "Foyer" pour l'apéritif.

M. et Mme Dupont

M. et Mme Charles

Qui va se marier?

14. Француски (Втор странски јазик) - Општо образование

Прашање

Lisez le texte et répondez aux questions en cochant la bonne case:

Corine et Frédéric

Ont la joie de vous faire part de leur mariage.

Les cérémonies civile et religieuse seront célébrées

le samedi 2 juin 2013

à 16h 30 à la mairie et à 17h au temple de Moussac.

Nous serions heureux de vous retrouver après les cérémonies

Au "Foyer" pour l'apéritif.

M. et Mme Dupont

M. et Mme Charles

Cela se passera pendant:

14. Француски (Втор странски јазик) - Општо образование

Прашање

Lisez le texte et répondez aux questions en cochant la bonne case.

Paris, le 15 juin 2012

Ma chère Juliette,

Je suis très heureux de te confirmer que mes parents sont enfin d'accord : ils t' invitent dans notre résidence secondaire en Bourgogne pour les prochaines vacances. Si tu acceptes, tu vas découvrir cette belle région et ses vignobles , goûter les meilleurs vins- notre gastronomie est très réputée. On va pouvoir également faire des excursions, visiter une usine et voir comment on fabrique la fameuse moutarde de Dijon. Il ne faut pas non plus oublier les balades dans les ruelles du vieux quartier de la ville, ni la possibilité de mieux connaître l'histoire car nous avons beaucoup de monuments. J'attends ta réponse avec impatience et j'espère te revoir très bientôt. Bien amicalement, Pierre

De quel type de document s'agit-il ?

14. Француски (Втор странски јазик) - Општо образование

Прашање

Lisez le texte et répondez aux questions en cochant la bonne case.

Paris, le 15 juin 2012

Ma chère Juliette,

Je suis très heureux de te confirmer que mes parents sont enfin d'accord : ils t'invitent dans notre résidence secondaire en Bourgogne pour les prochaines vacances. Si tu acceptes, tu vas découvrir cette belle région et ses vignobles , goûter les meilleurs vins- notre gastronomie est très réputée. On va pouvoir également faire des excursions, visiter une usine et voir comment on fabrique la fameuse moutarde de Dijon. Il ne faut pas non plus oublier les balades dans les ruelles du vieux quartier de la ville, ni la possibilité de mieux connaître l'histoire car nous avons beaucoup de monuments. J'attends ta réponse avec impatience et j'espère te revoir très bientôt. Bien amicalement, Pierre

Pierre est heureux parce que :

14. Француски (Втор странски јазик) - Општо образование

Прашање

Lisez le texte et répondez aux questions en cochant la bonne case.

Paris, le 15 juin 2012

Ma chère Juliette,

Je suis très heureux de te confirmer que mes parents sont enfin d'accord : ils t'invitent dans notre résidence secondaire en Bourgogne pour les prochaines vacances. Si tu acceptes, tu vas découvrir cette belle région et ses vignobles , goûter les meilleurs vins- notre gastronomie est très réputée. On va pouvoir également faire des excursions, visiter une usine et voir comment on fabrique la fameuse moutarde de Dijon. Il ne faut pas non plus oublier les balades dans les ruelles du vieux quartier de la ville, ni la possibilité de mieux connaître l'histoire car nous avons beaucoup de monuments. J'attends ta réponse avec impatience et j'espère te revoir très bientôt. Bien amicalement, Pierre

Juliette, où va-t-elle rencontrer Pierre?

14. Француски (Втор странски јазик) - Општо образование

Прашање

Lisez le texte et répondez aux questions en cochant la bonne case.

Paris, le 15 juin 2012

Ma chère Juliette,

Je suis très heureux de te confirmer que mes parents sont enfin d'accord : ils t'invitent dans notre résidence secondaire en Bourgogne pour les prochaines vacances. Si tu acceptes, tu vas découvrir cette belle région et ses vignobles , goûter les meilleurs vins- notre gastronomie est très réputée. On va pouvoir également faire des excursions, visiter une usine et voir comment on fabrique la fameuse moutarde de Dijon. Il ne faut pas non plus oublier les balades dans les ruelles du vieux quartier de la ville, ni la possibilité de mieux connaître l'histoire car nous avons beaucoup de monuments. J'attends ta réponse avec impatience et j'espère te revoir très bientôt. Bien amicalement, Pierre

La résidence secondaire de Pierre se trouve à :

14. Француски (Втор странски јазик) - Општо образование

Прашање

Lisez le texte et répondez aux questions en cochant la bonne case.

Paris, le 15 juin 2012

Ma chère Juliette,

Je suis très heureux de te confirmer que mes parents sont enfin d'accord : ils t'invitent dans notre résidence secondaire en Bourgogne pour les prochaines vacances. Si tu acceptes, tu vas découvrir cette belle région et ses vignobles , goûter les meilleurs vins- notre gastronomie est très réputée. On va pouvoir également faire des excursions, visiter une usine et voir comment on fabrique la fameuse moutarde de Dijon. Il ne faut pas non plus oublier les balades dans les ruelles du vieux quartier de la ville, ni la possibilité de mieux connaître l'histoire car nous avons beaucoup de monuments. J'attends ta réponse avec impatience et j'espère te revoir très bientôt. Bien amicalement, Pierre

Pierre, qu'est-ce qu'il propose à Juliette de faire dans les ruelles du vieux quartier de la ville ?

14. Француски (Втор странски јазик) - Општо образование

Прашање

Lisez le texte et répondez aux questions en cochant la bonne case.

Paris, le 15 juin 2012

Ma chère Juliette,

Je suis très heureux de te confirmer que mes parents sont enfin d'accord : ils t'invitent dans notre résidence secondaire en Bourgogne pour les prochaines vacances. Si tu acceptes, tu vas découvrir cette belle région et ses vignobles , goûter les meilleurs vins- notre gastronomie est très réputée. On va pouvoir également faire des excursions, visiter une usine et voir comment on fabrique la fameuse moutarde de Dijon. Il ne faut pas non plus oublier les balades dans les ruelles du vieux quartier de la ville, ni la possibilité de mieux connaître l'histoire car nous avons beaucoup de monuments. J'attends ta réponse avec impatience et j'espère te revoir très bientôt. Bien amicalement, Pierre

Qu'est qui a une bonne réputation ?

14. Француски (Втор странски јазик) - Општо образование

Прашање

Lisez le texte et répondez aux questions en cochant la bonne case.

Paris, le 15 juin 2012

Ma chère Juliette,

Je suis très heureux de te confirmer que mes parents sont enfin d'accord : ils t'invitent dans notre résidence secondaire en Bourgogne pour les prochaines vacances. Si tu acceptes, tu vas découvrir cette belle région et ses vignobles , goûter les meilleurs vins- notre gastronomie est très réputée. On va pouvoir également faire des excursions, visiter une usine et voir comment on fabrique la fameuse moutarde de Dijon. Il ne faut pas non plus oublier les balades dans les ruelles du vieux quartier de la ville, ni la possibilité de mieux connaître l'histoire car nous avons beaucoup de monuments. J'attends ta réponse avec impatience et j'espère te revoir très bientôt. Bien amicalement, Pierre

Pierre espère que :

14. Француски (Втор странски јазик) - Општо образование

Прашање

Lisez le texte et répondez aux questions en cochant la bonne case.

Paris, le 15 juin 2012

Ma chère Juliette,

Je suis très heureux de te confirmer que mes parents sont enfin d'accord : ils t'invitent dans notre résidence secondaire en Bourgogne pour les prochaines vacances. Si tu acceptes, tu vas découvrir cette belle région et ses vignobles , goûter les meilleurs vins- notre gastronomie est très réputée. On va pouvoir également faire des excursions, visiter une usine et voir comment on fabrique la fameuse moutarde de Dijon. Il ne faut pas non plus oublier les balades dans les ruelles du vieux quartier de la ville, ni la possibilité de mieux connaître l'histoire car nous avons beaucoup de monuments. J'attends ta réponse avec impatience et j'espère te revoir très bientôt. Bien amicalement, Pierre

Juliette va aller en Bourgogne:

Qu'est-ce qu'on mange à un anniversaire?

Trouvez le mot qui ne signifie pas un lieu où on peut habiter.

Quel mot signifie un trait de caractère?

14. Француски (Втор странски јазик) - Општо образование

Прашање

Cochez le mot qui ne signifie pas un moyen de transport public.

Quelle est la constatation à cette expression: Il arrive à 20 heures. Il a une réunion à 20h30 h.

Il est pilote. Il conduit un_____.

Trouvez le contraire du mot méchante.

Qu'est-ce qu'il n'y a pas dans les villes?

Où ne peut-on pas acheter de la nourriture?

Qu'est-ce qu'il y a au centre d'une grande ville?

Qu'est-ce qu'il nous faut pour regarder la météo?

Trouvez le mot contraire du mot paresseux.

14. Француски (Втор странски јазик) - Општо образование

Прашање

Complétez la phrase: Devant _____ il y a un jardin.

Je prépare des crêpes avec des _____ .

Continuez la phrase: J'ai fixé _____ avec mon petit ami.

Pourquoi va-t-on dans une agence de voyage?

Complétez la phrase: J'allume _____ pour écouter la météo.

Continuez la phrase suivante: Elle aime parler, elle est _____.

Où peut-on écrire un SMS?

Continuez la phrase suivante: Je prends l'autoroute de Rouen, donc je voyage en _____.

Continuez la phrase: Elle est de bonne humeur, donc, elle a _____.

14. Француски (Втор странски јазик) - Општо образование

Прашање

Trouvez le contraire du mot énervé.

Trouvez l'adverbe de temps.

Quel verbe est conjugué au passé récent?

Trouvez le nombre ordinal 3.

Quel verbe est conjugué au conditionnel présent?

Trouvez le verbe qui est conjugué au futur simple.

Trouvez le verbe qui est conjugué à l'imparfait.

Quelle est la réponse correcte à la question: Pourquoi tu n'es pas venu?

La phrase: Je sors toujours le samedi. signifie:

14. Француски (Втор странски јазик) - Општо образование

Прашање

Répondez à la question suivante en employant le pronom qui convient:
Tu veux du café?

Trouvez la forme du discours indirect de la phrase: Qu'est-ce que tu dis?

Complétez la phrase avec le superlatif de l'adjectif bon : Cette fille est la _____ élève de la classe.

Trouvez les mots équivalents de l'expression soulignée: Chaque mardi, j'ai des cours de français.

Complétez la phrase suivante afin d'exprimer une comparaison: La Macédoine est _____ la France.

Trouvez la préposition correcte dans la phrase: La mère de Marie voyage _____ avion.

Choisissez la forme correcte du verbe dans la phrase: Chaque été je.....en Espagne

Continuez la phrase suivante: Il est 5 h. À 4h55 il _____.

Complétez la phrase suivante: Demain, nous _____ à la plage.

14. Француски (Втор странски јазик) - Општо образование

Прашање

Complétez la phrase avec le pronom approprié: J'aime la montagne et _____vais souvent.

Complétez la phrase suivante avec l'adverbe correcte: _____ l'école on va jouer.

Mettez le verbe

entrer

au passé récent: Il est 13 heures. À 12heures 50 elle _____.

Cochez la bonne question à la réponse suivante: Je vais à la piscine.

Trouvez la réponse correcte à la question suivante: Pourquoi es-tu allé au marché?

Trouvez la forme correcte du verbe sortir: Demain, je _____ avec mes amis.

Choisissez la négation correcte à la question suivante: Tu vois quelqu'un dans le jardin?

14. Француски (Втор странски јазик) - Општо образование

Прашање

Trouvez la phrase par laquelle on donne le prix d'un produit.

Comment exprime-t-on l'opinion?

Qu'est-ce qu'on dit pour exprimer son regret?

Avec quelle phrase parle-t-on de son état physique?

On félicite avec la phrase suivante:

Comment décrit-on le caractère d'une personne?

Pour exprimer son regret on dit:

Elle est très contente du concert. Elle dit:

Répondez à la question suivante par une phrase affirmative: Vous êtes contents du voyage?

14. Француски (Втор странски јазик) - Општо образование

Прашање

Choisissez la phrase avec laquelle on exprime une impossibilité.

Avec la phrase: Pour moi, votre projet est excellent. **on exprime :**

On peut exprimer la possibilité par la phrase:

Avec quelle phrase exprime-t-on une opinion?

Cochez la phrase avec laquelle on exprime un regret.

Comment peut-on donner un conseil?

Quelle est la bonne question pour demander l'opinion?

Pour exprimer la certitude on dit:

14. Француски (Втор странски јазик) - Општо образование

Прашање

Choisissez la phrase avec laquelle on exprime la probabilité.

On demande une opinion par la phrase:

Avec la phrase: Moi, à ta place, je partirais demain en vacances. **on exprime :**

Compléter la phrase : _____ il est capable de s'engager dans le projet. **pour qu'elle exprime un avis.**

Avec la phrase suivante: J'ai envie d'aller en Tunisie. **on exprime :**

Avec la phrase: Je suis sûr que tu réussiras à l'examen. **on exprime :**

Avec la phrase: Il y a un bureau de poste par ici? **on :**

Répondez comment on peut réagir à l'expression: Hier, Madame Leblanc a eu un accident.

14. Француски (Втор странски јазик) - Општо образование

Прашање

Comment peut-on donner le prix d'un produit?

On exprime la possibilité dans la phrase:

Il faut lui donner un conseil: Il m'a invité, mais je ne sais pas quoi faire.

Avec quelle phrase exprime-t-on une probabilité?

Complétez la phrase: Je _____ que tu viennes avec nous au cinéma. » pour qu'elle exprime un souhait.

15. Француски (Прв странски јазик) - Општо образование

Прашање

Trouvez le mot qui ne signifie pas un moyen de transport.

Cochez le mot qui signifie un trait de caractère.

Cochez le mot qui ne signifie pas un trait de caractère.

Trouvez le mot qui signifie un moyen de transport.

15. Француски (Прв странски јазик) - Општо образование

Прашање

Qu'est-ce qu'on peut trouver à la campagne?

Trouvez le mot qui est lié au thème: Environnement.

Trouvez le mot contraire du mot paresseux .

Quel est le mot contraire du mot triste ?

On jette les ordures dans:

Quel mot appartient au thème: Beautés naturelles?

Trouvez le mot contraire du mot courageux .

Comment voyage-t-on par la mer?

Quel mot signifie une émission télévisée?

Complétez la phrase: Avant de partir en voyage en avion, on réserve un_____.

Avant de partir en voyage nous préparons nos:

Quel est le synonyme du verbe téléphoner ?

Quel mot est lié au thème: Internet?

15. Француски (Прв странски јазик) - Општо образование

Прашање

Trouvez le mot lié au thème: Voyage.

Quel est le synonyme du mot voiture?

Continuez la phrase: Je vais à la campagne pour admirer_____.

Terminez la phrase : Vous cherchez un billet de train. Allez _____ !

Trouvez le mot correct pour finir la phrase: Pour être bien informé on lit quotidiennement _____.

Terminez la phrase avec la réponse correcte: Dans un grand magasin on trouve un ordinateur dans le rayon _____.

Qu'est-ce qu'il nous faut pour regarder la météo?

Trouvez sa profession: Il dirige la circulation, il est _____.

Trouvez le mot correct pour finir la phrase: Vous devez partir en train? Allez à _____ .

Terminez la phrase: Marie-Rose est à la station, elle va prendre _____.

Continuez la phrase: On va dans une agence de voyage pour:

Continuez la phrase: J'aime jouer avec des jeux video sur _____.

Continuez la phrase suivante: On dessine un paysage où il y a _____.

15. Француски (Прв странски јазик) - Општо образование

Прашање

Continuez la phrase: J'ai fixé _____ avec mon chéri.

Où peut-on écrire une SMS?

Terminez la phrase : Il n'est pas calme, donc, il est _____.

Lisez le texte attentivement et puis répondez aux questions.

Rennes le 17/09

Chère Béatrice,

Ça y est, toute la famille est réunie. Nous sommes à Rennes depuis le 2 septembre, mais ça fait cinq mois que Pierre, lui, travaille à l'hôpital de la ville. J'ai trouvé un travail à la mairie et on s'est bien installés. Théo va à l'école juste à coté de notre appartement. Florence m'inquiète un peu. Elle ne mange plus depuis trois jours et elle est toujours fatiguée. Elle a peu être un chagrin de l'amour. Et nos amis Ferreira? Il y a au moins trois mois qu'on n'a pas reçu leurs nouvelles. Embrasse-les de ma part.

Bises,

Marie

Où se trouve l'école de Théo ?

15. Француски (Прв странски јазик) - Општо образование

Прашање

Lisez le texte attentivement et puis répondez aux questions.

Rennes le 17/09

Chère Béatrice,

Ça y est, toute la famille est réunie. Nous sommes à Rennes depuis le 2 septembre, mais ça fait cinq mois que Pierre, lui, travaille à l'hôpital de la ville. J'ai trouvé un travail à la mairie et on s'est bien installés. Théo va à l'école juste à coté de notre appartement. Florence m'inquiète un peu. Elle ne mange plus depuis trois jours et elle est toujours fatiguée. Elle a peu être un chagrin de l'amour. Et nos amis Ferreira? Il y a au moins trois mois qu'on n'a pas reçu leurs nouvelles. Embrasse-les de ma part.

Bises,
Marie

De quel type de texte s'agit-il?

15. Француски (Прв странски јазик) - Општо образование

Прашање

Lisez le texte attentivement et puis répondez aux questions.

Rennes le 17/09

Chère Béatrice,

Ça y est, toute la famille est réunie. Nous sommes à Rennes depuis le 2 septembre, mais ça fait cinq mois que Pierre, lui, travaille à l'hôpital de la ville. J'ai trouvé un travail à la mairie et on s'est bien installés. Théo va à l'école juste à coté de notre appartement. Florence m'inquiète un peu. Elle ne mange plus depuis trois jours et elle est toujours fatiguée. Elle a peu être un chagrin de l'amour. Et nos amis Ferreira? Il y a au moins trois mois qu'on n'a pas reçu leurs nouvelles. Embrasse- les de ma part.

Bises,
Marie

Depuis combien de temps Florence ne va pas bien?

15. Француски (Прв странски јазик) - Општо образование

Прашање

Lisez le message suivant et répondez aux questions en cochant la bonne case.

Le 17 /05 / 2014

Chère
Anne,

Nadia et moi, nous ouvrons un restaurant rue Broussac, à côté de la maison de Dominique. N'oublie pas d'apporter ton appareil photo. Je compte sur toi pour faire des photos des invités.

Merci d'avance.
Jean

Qui envoie ce message?

15. Француски (Прв странски јазик) - Општо образование

Прашање

Lisez le message suivant et répondez aux questions en cochant la bonne case.

Le 17 /05 / 2014

Chère
Anne,

Nadia et moi, nous ouvrons un restaurant rue Broussac, à côté de la maison de Dominique. N'oublie pas d'apporter ton appareil photo. Je compte sur toi pour faire des photos des invités.

Merci d'avance.
Jean

De quel document s'agit-il ?

15. Француски (Прв странски јазик) - Општо образование

Прашање

Lisez le message suivant et répondez aux questions en cochant la bonne case.

Le 17 /05 / 2014

Chère
Anne,

Nadia et moi, nous ouvrons un restaurant rue Broussac, à côté de la maison de Dominique. N'oublie pas d'apporter ton appareil photo. Je compte sur toi pour faire des photos des invités.

Merci d'avance.
Jean

Pourquoi est-t-il écrit, ce message?

15. Француски (Прв странски јазик) - Општо образование

Прашање

Lisez le message suivant et répondez aux questions en cochant la bonne case.

Le 17 /05 / 2014

Chère
Anne,

Nadia et moi, nous ouvrons un restaurant rue Broussac, à côté de la maison de Dominique. N'oublie pas d'apporter ton appareil photo. Je compte sur toi pour faire des photos des invités.

Merci d'avance.
Jean

Qui va faire des photos?

15. Француски (Прв странски јазик) - Општо образование

Прашање

Lisez le message suivant et répondez aux questions en cochant la bonne case.

Le 17 /05 / 2014

Chère
Anne,

Nadia et moi, nous ouvrons un restaurant rue Broussac, à côté de la maison de Dominique. N'oublie pas d'apporter ton appareil photo. Je compte sur toi pour faire des photos des invités.

Merci d'avance.
Jean

Le nouveau restaurant se trouve :

15. Француски (Прв странски јазик) - Општо образование

Прашање

Lisez le message suivant et répondez aux questions en cochant la bonne case.

Le 17 /05 / 2014

Chère
Anne,

Nadia et moi, nous ouvrons un restaurant rue Broussac, à côté de la maison de Dominique. N'oublie pas d'apporter ton appareil photo. Je compte sur toi pour faire des photos des invités.

Merci d'avance.
Jean

Qui ouvre le restaurant?

15. Француски (Прв странски јазик) - Општо образование

Прашање

Lisez le message suivant et répondez aux questions en cochant la bonne case.

Le 17 /05 / 2014

Chère
Anne,

Nadia et moi, nous ouvrons un restaurant rue Broussac, à côté de la maison de Dominique. N'oublie pas d'apporter ton appareil photo. Je compte sur toi pour faire des photos des invités.

Merci d'avance.
Jean

En quelle saison a lieu l'événement?

15. Француски (Прв странски јазик) - Општо образование

Прашање

Lisez le message suivant et répondez aux questions en cochant la bonne case.

Le 17 /05 / 2014

Chère
Anne,

Nadia et moi, nous ouvrons un restaurant rue Broussac, à côté de la maison de Dominique. N'oublie pas d'apporter ton appareil photo. Je compte sur toi pour faire des photos des invités.

Merci d'avance.
Jean

Jean, qu'est-ce qu'il demande à Anne ?

15. Француски (Прв странски јазик) - Општо образование

Прашање

Lisez le texte et répondez aux questions en cochant la bonne case:

Chère Julie,

Pauline et moi, nous sommes actuellement à Barcelone, chez Alicia. Nous sommes arrivées vendredi en avion. Samedi, Alicia et moi, nous sommes allées faire des courses. Nous avons marché toute la journée. Le soir, nous sommes allées au restaurant toutes les trois et nous sommes rentrées à deux heures du matin. Nous avons passé une excellente soirée!

Ce matin, nous avons visité le musée Picasso et, cet après-midi, nous sommes allées au parc Güell.

C'est magnifique! Nous rentrons dans deux jours.

À bientôt. Bisous,

Laure

De quel type de document s'agit-il ?

15. Француски (Прв странски јазик) - Општо образование

Прашање

Lisez le texte et répondez aux questions en cochant la bonne case:

Chère Julie,

Pauline et moi, nous sommes actuellement à Barcelone, chez Alicia. Nous sommes arrivées vendredi en avion. Samedi, Alicia et moi, nous sommes allées faire des courses. Nous avons marché toute la journée. Le soir, nous sommes allées au restaurant toutes les trois et nous sommes rentrées à deux heures du matin. Nous avons passé une excellente soirée!

Ce matin, nous avons visité le musée Picasso et, cet après-midi, nous sommes allées au parc Güell.

C'est magnifique! Nous rentrons dans deux jours.

À bientôt. Bisous,

Laure

Laure et Alicia, qu'est-ce qu'elles ont fait samedi?

15. Француски (Прв странски јазик) - Општо образование

Прашање

Lisez le texte et répondez aux questions en cochant la bonne case:

Chère Julie,

Pauline et moi, nous sommes actuellement à Barcelone, chez Alicia. Nous sommes arrivées vendredi en avion. Samedi, Alicia et moi, nous sommes allées faire des courses. Nous avons marché toute la journée. Le soir, nous sommes allées au restaurant toutes les trois et nous sommes rentrées à deux heures du matin. Nous avons passé une excellente soirée!

Ce matin, nous avons visité le musée Picasso et, cet après-midi, nous sommes allées au parc Güell.

C'est magnifique! Nous rentrons dans deux jours.

À bientôt. Bisous,

Laure

Où se sont-elles amusées?

15. Француски (Прв странски јазик) - Општо образование

Прашање

Lisez le texte et répondez aux questions en cochant la bonne case:

Chère Julie,

Pauline et moi, nous sommes actuellement à Barcelone, chez Alicia. Nous sommes arrivées vendredi en avion. Samedi, Alicia et moi, nous sommes allées faire des courses. Nous avons marché toute la journée. Le soir, nous sommes allées au restaurant toutes les trois et nous sommes rentrées à deux heures du matin. Nous avons passé une excellente soirée!

Ce matin, nous avons visité le musée Picasso et, cet après-midi, nous sommes allées au parc Güell.

C'est magnifique! Nous rentrons dans deux jours.

À bientôt. Bisous,

Laure

Avec la phrase: C'est magnifique! Laure veut exprimer:

15. Француски (Прв странски јазик) - Општо образование

Прашање

Lisez le texte et répondez aux questions en cochant la bonne case.

Camille et Romuald

Ont la joie de vous faire part de leur mariage.

Les cérémonies civile et religieuse seront célébrées

le samedi 2 juin 2001

à 16h 30 à la mairie et à 17h au temple de Moussac.

Nous serions heureux de vous retrouver après les cérémonies

Au "Foyer" pour l'apéritif.

M. et Mme Dupont

M. et Mme Charles

De quel type de texte s'agit-il?

15. Француски (Прв странски јазик) - Општо образование

Прашање

Lisez le texte et répondez aux questions en cochant la bonne case.

Camille et Romuald

Ont la joie de vous faire part de leur mariage.

Les cérémonies civile et religieuse seront célébrées

le samedi 2 juin 2001

à 16h 30 à la mairie et à 17h au temple de Moussac.

Nous serions heureux de vous retrouver après les cérémonies

Au "Foyer" pour l'apéritif.

M. et Mme Dupont

M. et Mme Charles

Le cocktail aura lieu:

15. Француски (Прв странски јазик) - Општо образование

Прашање

Lisez le texte et répondez aux questions en cochant la bonne case.

Camille et Romuald

Ont la joie de vous faire part de leur mariage.

Les cérémonies civile et religieuse seront célébrées

le samedi 2 juin 2001

à 16h 30 à la mairie et à 17h au temple de Moussac.

Nous serions heureux de vous retrouver après les cérémonies

Au "Foyer" pour l'apéritif.

M. et Mme Dupont

M. et Mme Charles

Qui va se marier?

15. Француски (Прв странски јазик) - Општо образование

Прашање

Lisez le texte et répondez aux questions en cochant la bonne case.

Camille et Romuald

Ont la joie de vous faire part de leur mariage.

Les cérémonies civile et religieuse seront célébrées

le samedi 2 juin 2001

à 16h 30 à la mairie et à 17h au temple de Moussac.

Nous serions heureux de vous retrouver après les cérémonies

Au "Foyer" pour l'apéritif.

M. et Mme Dupont

M. et Mme Charles

Cela se passera pendant:

15. Француски (Прв странски јазик) - Општо образование

Прашање

Lisez le message suivant et répondez aux questions en cochant la bonne case.

Paris, le 15 juin 2014

Ma chère Claire,

Je suis très heureux de te confirmer que mes parents sont enfin d'accord : ils t' invitent dans notre résidence secondaire en Bourgogne pour les prochaines vacances. Si tu acceptes, tu vas découvrir cette belle région et ses vignobles , goûter les meilleurs vins- notre gastronomie est très réputée. On va pouvoir également faire des excursions, visiter une usine et voir comment on fabrique la fameuse moutarde de Dijon. Il ne faut pas non plus oublier les balades dans les ruelles du vieux quartier de la ville, ni la possibilité de mieux connaître l'histoire car nous avons beaucoup de monuments. J'attends ta réponse avec impatience et j'espère te revoir très bientôt. Bien amicalement, Luc

De quel type de document s'agit-il ?

15. Француски (Прв странски јазик) - Општо образование

Прашање

Lisez le message suivant et répondez aux questions en cochant la bonne case.

Paris, le 15 juin 2014

Ma chère Claire,

Je suis très heureux de te confirmer que mes parents sont enfin d'accord : ils t'invitent dans notre résidence secondaire en Bourgogne pour les prochaines vacances. Si tu acceptes, tu vas découvrir cette belle région et ses vignobles , goûter les meilleurs vins- notre gastronomie est très réputée. On va pouvoir également faire des excursions, visiter une usine et voir comment on fabrique la fameuse moutarde de Dijon. Il ne faut pas non plus oublier les balades dans les ruelles du vieux quartier de la ville, ni la possibilité de mieux connaître l'histoire car nous avons beaucoup de monuments. J'attends ta réponse avec impatience et j'espère te revoir très bientôt. Bien amicalement, Luc

Luc est heureux parce que :

15. Француски (Прв странски јазик) - Општо образование

Прашање

Lisez le message suivant et répondez aux questions en cochant la bonne case.

Paris, le 15 juin 2014

Ma chère Claire,

Je suis très heureux de te confirmer que mes parents sont enfin d'accord : ils t'invitent dans notre résidence secondaire en Bourgogne pour les prochaines vacances. Si tu acceptes, tu vas découvrir cette belle région et ses vignobles , goûter les meilleurs vins- notre gastronomie est très réputée. On va pouvoir également faire des excursions, visiter une usine et voir comment on fabrique la fameuse moutarde de Dijon. Il ne faut pas non plus oublier les balades dans les ruelles du vieux quartier de la ville, ni la possibilité de mieux connaître l'histoire car nous avons beaucoup de monuments. J'attends ta réponse avec impatience et j'espère te revoir très bientôt. Bien amicalement, Luc

Claire, où va-t-elle rencontrer Luc?

15. Француски (Прв странски јазик) - Општо образование

Прашање

Lisez le message suivant et répondez aux questions en cochant la bonne case.

Paris, le 15 juin 2014

Ma chère Claire,

Je suis très heureux de te confirmer que mes parents sont enfin d'accord : ils t'invitent dans notre résidence secondaire en Bourgogne pour les prochaines vacances. Si tu acceptes, tu vas découvrir cette belle région et ses vignobles , goûter les meilleurs vins- notre gastronomie est très réputée. On va pouvoir également faire des excursions, visiter une usine et voir comment on fabrique la fameuse moutarde de Dijon. Il ne faut pas non plus oublier les balades dans les ruelles du vieux quartier de la ville, ni la possibilité de mieux connaître l'histoire car nous avons beaucoup de monuments. J'attends ta réponse avec impatience et j'espère te revoir très bientôt. Bien amicalement, Luc

La résidence secondaire de Luc se trouve à :

15. Француски (Прв странски јазик) - Општо образование

Прашање

Lisez le message suivant et répondez aux questions en cochant la bonne case.

Paris, le 15 juin 2014

Ma chère Claire,

Je suis très heureux de te confirmer que mes parents sont enfin d'accord : ils t'invitent dans notre résidence secondaire en Bourgogne pour les prochaines vacances. Si tu acceptes, tu vas découvrir cette belle région et ses vignobles , goûter les meilleurs vins- notre gastronomie est très réputée. On va pouvoir également faire des excursions, visiter une usine et voir comment on fabrique la fameuse moutarde de Dijon. Il ne faut pas non plus oublier les balades dans les ruelles du vieux quartier de la ville, ni la possibilité de mieux connaître l'histoire car nous avons beaucoup de monuments. J'attends ta réponse avec impatience et j'espère te revoir très bientôt. Bien amicalement, Luc

Luc, qu'est-ce qu'il propose à Claire de faire dans les ruelles du vieux quartier de la ville ?

15. Француски (Прв странски јазик) - Општо образование

Прашање

Lisez le message suivant et répondez aux questions en cochant la bonne case.

Paris, le 15 juin 2014

Ma chère Claire,

Je suis très heureux de te confirmer que mes parents sont enfin d'accord : ils t'invitent dans notre résidence secondaire en Bourgogne pour les prochaines vacances. Si tu acceptes, tu vas découvrir cette belle région et ses vignobles , goûter les meilleurs vins- notre gastronomie est très réputée. On va pouvoir également faire des excursions, visiter une usine et voir comment on fabrique la fameuse moutarde de Dijon. Il ne faut pas non plus oublier les balades dans les ruelles du vieux quartier de la ville, ni la possibilité de mieux connaître l'histoire car nous avons beaucoup de monuments. J'attends ta réponse avec impatience et j'espère te revoir très bientôt. Bien amicalement, Luc

Qu'est qui a une bonne réputation ?

15. Француски (Прв странски јазик) - Општо образование

Прашање

Lisez le message suivant et répondez aux questions en cochant la bonne case.

Paris, le 15 juin 2014

Ma chère Claire,

Je suis très heureux de te confirmer que mes parents sont enfin d'accord : ils t'invitent dans notre résidence secondaire en Bourgogne pour les prochaines vacances. Si tu acceptes, tu vas découvrir cette belle région et ses vignobles , goûter les meilleurs vins- notre gastronomie est très réputée. On va pouvoir également faire des excursions, visiter une usine et voir comment on fabrique la fameuse moutarde de Dijon. Il ne faut pas non plus oublier les balades dans les ruelles du vieux quartier de la ville, ni la possibilité de mieux connaître l'histoire car nous avons beaucoup de monuments. J'attends ta réponse avec impatience et j'espère te revoir très bientôt. Bien amicalement, Luc

Luc espère que :

15. Француски (Прв странски јазик) - Општо образование

Прашање

Lisez le message suivant et répondez aux questions en cochant la bonne case.

Paris, le 15 juin 2014

Ma chère Claire,

Je suis très heureux de te confirmer que mes parents sont enfin d'accord : ils t'invitent dans notre résidence secondaire en Bourgogne pour les prochaines vacances. Si tu acceptes, tu vas découvrir cette belle région et ses vignobles , goûter les meilleurs vins- notre gastronomie est très réputée. On va pouvoir également faire des excursions, visiter une usine et voir comment on fabrique la fameuse moutarde de Dijon. Il ne faut pas non plus oublier les balades dans les ruelles du vieux quartier de la ville, ni la possibilité de mieux connaître l'histoire car nous avons beaucoup de monuments. J'attends ta réponse avec impatience et j'espère te revoir très bientôt. Bien amicalement, Luc

Claire va aller en Bourgogne:

15. Француски (Прв странски јазик) - Општо образование

Прашање

**Lisez attentivement le texte et r
é
pondez en cochant la bonne case.**

Cher Nicolas,
Du 23 décembre au 2 janvier, nous allons faire du ski à Bisanne. Julien nous prête son appartement. Nous invitons Carine, l` amie de Margot. Est-ce que tu veux venir avec nous ?

Paul et Sylvie

Qui envoie la lettre?

15. Француски (Прв странски јазик) - Општо образование

Прашање

**Lisez attentivement le texte et r
é
pondez en cochant la bonne case.**

Cher Nicolas,
Du 23 décembre au 2 janvier, nous allons faire du ski à Bisanne. Julien nous prête son appartement. Nous invitons Carine, l` amie de Margot. Est-ce que tu veux venir avec nous ?

Paul et Sylvie

Où seront-ils logés?

15. Француски (Прв странски јазик) - Општо образование

Прашање

**Lisez attentivement le texte et r
é
pondez en cochant la bonne case.**

Cher Nicolas,
Du 23 décembre au 2 janvier, nous allons faire du ski à Bisanne. Julien nous prête son appartement. Nous invitons Carine, l` amie de Margot. Est-ce que tu veux venir avec nous ?

Paul et Sylvie

De quelle saison s`agit-il dans le texte?

15. Француски (Прв странски јазик) - Општо образование

Прашање

**Lisez attentivement le texte et r
é
pondez en cochant la bonne case.**

Cher Nicolas,
Du 23 décembre au 2 janvier, nous allons faire du ski à Bisanne. Julien nous prête son appartement. Nous invitons Carine, l` amie de Margot. Est-ce que tu veux venir avec nous ?

Paul et Sylvie

Qu'est-ce qu'on propose dans le texte?

15. Француски (Прв странски јазик) - Општо образование

Прашање

**Lisez attentivement le texte et r
é
pondez en cochant la bonne case.**

Florence,

Je ne rentre pas manger à midi et je travaille cet après-midi jusqu' à 19 h. Je ne peux pas aller avec toi au supermarché pour faire les achats. Je te laisse 20 euros. Le Coca et le lait sont dans le frigo. On fera la pâte à crêpes ensemble quand je reviendrai.

À ce soir.

Bises,

Maman.

Qu`est-ce que voulait faire la mère de Florence pendant la pause de déjeuner?

15. Француски (Прв странски јазик) - Општо образование

Прашање

**Lisez attentivement le texte et r
é
pondez en cochant la bonne case.**

Florence,

Je ne rentre pas manger à midi et je travaille cet après-midi jusqu' à 19 h. Je ne peux pas aller avec toi au supermarché pour faire les achats. Je te laisse 20 euros. Le Coca et le lait sont dans le frigo. On fera la pâte à crêpes ensemble quand je reviendrai.

À tout à l' heure,

Bises,

Maman.

Florence, qu'est-ce qu'elle doit faire?

15. Француски (Прв странски јазик) - Општо образование

Прашање

**Lisez attentivement le texte et r
é
pondez en cochant la bonne case.**

Florence,

Je ne rentre pas manger à midi et je travaille cet après-midi jusqu' à 19 h. Je ne peux pas aller avec toi au supermarché pour faire les achats. Je te laisse 20 euros. Le Coca et le lait sont dans le frigo. On fera la pâte à crêpes ensemble quand je reviendrai.

À tout à l' heure,

Bises,

Maman.

Qui fera la pâte à crêpes?

15. Француски (Прв странски јазик) - Општо образование

Прашање

**Lisez attentivement le texte et r
é
pondez en cochant la bonne case.**

Florence,

Je ne rentre pas manger à midi et je travaille cet après-midi jusqu' à 19 h. Je ne peux pas aller avec toi au supermarché pour faire les achats. Je te laisse 20 euros. Le Coca et le lait sont dans le frigo. On fera la pâte à crêpes ensemble quand je reviendrai.

À tout à l' heure,

Bises,

Maman.

La mère, qu'est-ce qu'elle laisse à Florence?

15. Француски (Прв странски јазик) - Општо образование

Прашање

**Lisez attentivement le texte et r
é
pondez en cochant la bonne case.**

Florence,

Je ne rentre pas manger à midi et je travaille cet après-midi jusqu' à 19 h. Je ne peux pas aller avec toi au supermarché pour faire les achats. Je te laisse 20 euros. Le Coca et le lait sont dans le frigo. On fera la pâte à crêpes ensemble quand je reviendrai.

À tout à l' heure,

Bises,

Maman.

Le Coca, тоа е:

Quel verbe est conjugué au futur proche?

Trouvez le nombre ordinal 2.

Trouvez le verbe conjugué au conditionnel présent.

Trouvez le verbe qui est conjugué au futur simple.

Choisissez la conjonction convenable pour la phrase suivante : _____ je me lève tôt, j'arriverai à temps à l'école.

15. Француски (Прв странски јазик) - Општо образование

Прашање

Complétez la phrase suivante avec le pronom indéfini qui convient: Il boit_____.

Quel adverbe utilise-t-on pour exprimer une action au passé ?

Choisissez le mot qui manque dans la phrase suivante: J`aurais voulu savoir..... la gare est loin d`ici.

Cochez l`adverbe de temps parmi les mots proposés.

Cochez la préposition correcte dans la phrase: Elle pense beaucoup ____ lui.

Complétez la phrase avec la préposition correcte: La mère de Marie entre _____ la maison.

Répondez à la question: Pourquoi tu n`es pas venu?

Trouvez l`équivalent des mots soulignés: Chaque dimanche matin, je fais le ménage.

Cochez le discours indirect de la phrase: Tu es né en France?

Trouvez la forme correcte du discours indirect de la question suivante: Qu`est-ce tu dessines?

Trouvez la forme correcte du verbe aller au futur simple dans la phrase: Demain, nous à la plage.

15. Француски (Прв странски јазик) - Општо образование

Прашање

Avec quelle phrase exprime-t-on une action au passé récent?

Complétez la phrase avec la forme correcte de l'adjectif nouveau: Tu vois cehôtel?

Cochez les données qui conviennent à la phrase suivante: La Peugeot est plus rapide que la Citroën.

Cochez le nombre ordinal qui convient dans la phrase: Paul a 16 ans. C'est son _____ anniversaire.

Choisissez le verbe correct au futur pour compléter la phrase: Ce soir tu.....un disque de pop.

Complétez avec l'adverbe qui convient: _____ , tu dois consulter un médecin, puis, prendre des médicaments.

Choisissez la phrase correcte au discours indirect de la phrase suivante: Le professeur dit à Paul : Viens!

Choisissez la réponse correcte à la question suivante: Elle aime quelqu'un?

Trouvez la forme correcte du verbe partir : Demain, je _____ en vacances en Croatie.

Continuez la phrase suivante avec le mode verbale correcte: Je voudrais _____

Cochez la bonne question à la réponse suivante: Je voyage en bateau.

15. Француски (Прв странски јазик) - Општо образование

Прашање

Trouvez la réponse à la question suivante: Pourquoi es-tu allé au supermarché?

Choisissez la forme correcte du verbe sortir dans la phrase suivante: Il est 4 heures. À 4h05 il _____.

Trouvez la phrase de signification contraire à la phrase suivante: Personne de mes amies n`est arrivé.

Trouvez la négation à la phrase suivante: J'aime quelqu'un.

Avec quelle phrase exprime-t-on la cause?

Choisissez le pronom indéfini pour complétez la phrase suivante: Je regarde _____ à la télévision.

Complétez la phrase : _____ dernier nous sommes allés en excursion.

Choisissez le mot qui manque dans la phrase suivante : Il ne voyage _____ en voiture.

Cochez la phrase avec laquelle on demande poliment quelque chose.

Trouvez la phrase avec laquelle on exprime un souhait.

15. Француски (Прв странски јазик) - Општо образование

Прашање

Complétez la phrase pour qu'elle exprime un regret: _____, tu n'as pas de chance.

Avec l'expression: Je pense que ... on exprime:

Paul doit passer l'examen d'histoire. Vous lui conseillez:

Complétez la phrase pour qu'elle exprime le doute: _____
qu'elle nous invite chez elle.

Dans quelle phrase on n'exprime pas un doute?

Trouvez la phrase avec laquelle on exprime un conseil.

Comment donne-t-on un conseil?

Quand je suis désolé, je dis:

Elle est très contente du concert. Elle dit:

Choisissez la phrase avec laquelle on exprime une impossibilité.

Complétez la phrase pour qu'elle exprime un souhait: J'ai _____ d'aller au concert.

15. Француски (Прв странски јазик) - Општо образование

Прашање

Mettez l'expression qui convient pour exprimer votre opinion dans la phrase:
_____ il est chanteur.

Comment demande-t-on l'opinion?

**Complétez la phrase pour qu'elle exprime la certitude: _____
que vous ferez bien ce travail.**

On exprime la probabilité avec la phrase:

Quelle phrase exprime une possibilité?

On demande une opinion par la phrase:

Avec quelle expression exprime-t-on une opinion?

Complétez la phrase pour qu'elle exprime un souhait: _____ bien
participer au concours.

Vous voulez exprimer la possibilité. Vous dites:

Trouvez la phrase dans laquelle on exprime la certitude.

Dans quelle phrase on parle d'un souhait?

15. Француски (Прв странски јазик) - Општо образование

Прашање

Comment exprime-t-on un souhait?

Avec quelle phrase on exprime une possibilité?

Cochez la phrase exprimant le regret

Trouvez la phrase dans laquelle on exprime un souhait.

Pour exprimer la probabilité on dit:

Comment donne -t-on une opinion?

Avec quelle phrase exprime-t-on une probabilité?

Avec la phrase: Pour moi, votre projet est excellent. on exprime :

Avec la phrase suivante: J'ai envie d'aller en Tunisie. on exprime :

Avec la phrase: Je suis sûr que tu réussiras à l'examen. on exprime :

Avec la phrase: Il vaut mieux partir de bonne heure. on exprime:

Répondez comment on peut réagir à l'expression: Hier, Madame Leblanc s'est cassée la jambe.

Il faut lui donner un conseil: Il m'a invité, mais je ne sais pas quoi faire.

15. Француски (Прв странски јазик) - Општо образование

Прашање

Complétez la phrase: Je _____ que tu viennes avec nous au cinéma. pour qu'elle exprime un souhait.

Complétez la phrase avec l'expression de certitude: Nous sommes d'avoir bien joué.

Avec la phrase: C'est sans doute un artiste. on exprime:

Avec la phrase: Qui, sans aucun doute. On exprime:

Avec la phrase : Je crois que c'est vrai. on exprime :

Avec la phrase: J'en suis sûr. on exprime :

Avec la phrase : Comment vous trouvez la situation? on demande :

Avec la phrase: Vous devriez attendre le médecin. on exprime:

Trouvez la réponse à la question suivante: Quel est votre avis?

Cochez le mot qui signifie un moyen de transport.

Cochez le mot qui n'est pas du domaine de la presse.

15. Француски (Прв странски јазик) - Општо образование

Прашање

Quel mot est lié au programme télévisé?

Où peut-on aller en vacances?

Cochez le mot lié à l'environnement.

Cochez le mot qui signifie une émission télévisée.

Qu'est-ce qu'il y a au centre d'une grande ville?

Qu'est-ce qu'il nous faut pour écouter la météo?

Qu'est-ce qu'on ne trouve pas à la campagne?

Il est pilote. Il conduit _____.

Quel est le contraire du mot méchant?

Quel est le contraire du mot ennuyeux?

Trouvez le mot contraire du mot égoïste.

Trouvez le contraire du mot timide.

Trouvez le mot qui signifie la mauvaise humeur.

15. Француски (Прв странски јазик) - Општо образование

Прашање

À 12 heures, c'est _____.

Trouvez le mot qui n'est pas lié au thème: Presse.

Trouvez le mot qui n'est pas lié au thème: Famille.

Trouvez le mot qui est lié à l'environnement.

Trouvez le mot qui manque dans la phrase: Devant mon.....
il y a un grand jardin.

Continuez la phrase suivante: Il a un physique agréable, il est
donc_____.

Complétez la phrase: J'ai à l'Association des lycéens.

Elle peut m'écrire un e-mail sur _____.

Continuez la phrase: On fait les bagages pour _____.

Continuez la phrase suivante: Je prend l'autoroute de Lyon , je voyage en
_____.

C'est 20 heures. J'ai une réunion à 19heures 15. Je suis_____.

Continuez la phrase: Demain , j 'ai un vol, je vais _____.

15. Француски (Прв странски јазик) - Општо образование

Прашање

Continuez la phrase: Elle est allée dans le magasin pour _____.

On voyage en mer en _____.

Continuez la phrase suivante: Mon voisin cherche du travail, il est donc au _____.

Complétez la phrase: Je sais que tu as des disques de techno, tu peux les _____ à la fête?

Continuez la phrase: Elle est de bonne humeur, donc, elle _____.

Continuez la phrase suivante: Elle n'aime pas travailler, elle est donc _____.

Cochez la forme correcte du verbe prendre au futur simple.

Quelle est la forme correcte du verbe appeler au futur proche ?

Cochez la préposition de lieu parmi les mots suivants.

Trouvez le pronom indéfini parmi les mots suivants.

Trouvez l'adverbe de lieu.

Quel verbe est conjugué au futur proche?

Trouvez le mot interrogatif.

15. Француски (Прв странски јазик) - Општо образование

Прашање

Quel verbe est conjugué au conditionnel présent ?

Cochez l'adverbe de temps parmi les mots suivants.

Cochez la forme correcte de l'adjectif beau: C'est un _____ enfant."

La phrase: Ils ne connaissent que l'anglais.

Complétez la phrase suivante avec la forme correcte de l'adjectif tout: Ils font du sport, le temps.

Trouvez la préposition de lieu.

Dans quelle phrase il y a une comparaison?

Quelle phrase indique une action au futur?

Dans quelle phrase on parle du passé?

Trouvez la phrase dans laquelle il est employé le discours indirect.

Choisissez la préposition correspondante: Notre maison se trouve _____ cinéma Rex.

Complétez la phrase avec la conjonction correcte: Il écrit sa biographie professionnelle _____ se présenter à un concours.

Complétez la phrase: On vend ces spécialités _____ ils sont délicieuses.

15. Француски (Прв странски јазик) - Општо образование

Прашање

Complétez la phrase suivante afin d'exprimer une comparaison: La Macédoine est _____ la France.

Complétez la phrase suivante avec la forme correcte du verbe parler: Lundi prochain, je _____ avec notre directrice.

Choisissez la réponse correspondante à la question suivante:
Vous travaillez encore chez Rex?

Cochez la forme du verbe qui correspond: Tous les soirs, pendant les vacances de l'année passé, on _____se promener au bord de la mer.

Complétez la phrase avec la forme correcte du verbe aller: Dans trois mois, il _____ en vacances.

Choisissez la réponse négative correcte à la question : Qu'est ce que tu fais?

Choisissez la forme du verbe pour compléter la phrase : Si j'aide l'argent, je _____pour Paris.

Trouvez la comparaison correcte selon les indications suivantes. Marc a 25 ans. Claude a 37 ans.

Cochez la bonne question à la réponse suivante: Je suis au bureau.

Trouvez la réponse correcte à la question suivante: Pourquoi as-tu appelé Paul?

15. Француски (Прв странски јазик) - Општо образование

Прашање

Choisissez la négation correcte à la question suivante: Tu vois quelqu'un dans le jardin?

Choisissez la réponse correcte à la question suivante: Elle attend quelqu'un devant le bar?

Choisissez la forme correcte du verbe écouter : Ce soir tu.....un disque de pop.

Trouvez l'équivalent des mots soulignés: Chaque dimanche matin, je fais le ménage.

Choisissez la forme correcte du verbe dans la phrase: Chaque été je.....en Espagne

Choisissez la forme correcte de l'adjectif tout: _____ les filles de la classe sont travailleuses.

Cochez le conseil correct.

Trouvez le souhait correspondant à cette expression: L'examen commence!

Trouvez la phrase avec laquelle on donne un conseil.

Avec la phrase suivante: J'aimerais être riche, on exprime:

15. Француски (Прв странски јазик) - Општо образование

Прашање

Compléter la phrase pour exprimer un souhait: _____ voyager en France.

Cochez la phrase avec laquelle on exprime la certitude.

Choisissez la phrase avec laquelle on exprime le doute.

Avec quelle phrase exprime-t-on une opinion ?

Comment exprime-t-on l'opinion?

Qu'est-ce qu'on dit pour exprimer l'hésitation?

Cochez la phrase avec laquelle on exprime un regret.

Je voudrais apprendre le français. Qu'est-ce que tu me conseilles ?

Choisissez la phrase qui exprime le regret.

Pour exprimer un souhait on dit:

On exprime la probabilité avec la phrase:

15. Француски (Прв странски јазик) - Општо образование

Прашање

Cochez l'expression qui convient pour exprimer l'impossibilité dans la phrase:
_____ qu'elle rentre ce soir des vacances.

Choisissez la bonne réponse à la question suivante pour exprimer la certitude: Tu es sûr qu'il pleuvra demain?

Cochez la phrase avec laquelle on exprime le doute.

Quelle est la bonne question pour demander une opinion?

Trouvez la phrase avec laquelle on exprime un souhait.

Comment demande-t-on l'opinion?

Trouvez la phrase avec laquelle on exprime l'opinion.

Comment peut-on donner un conseil?

Cochez la phrase qui exprime une opinion.

Comment exprime-t-on le regret?

Comment exprime-t-on la possibilité?

15. Француски (Прв странски јазик) - Општо образование

Прашање

Avec la phrase: Nous préférons jouer au football. on exprime :

Avec quelle phrase on n'exprime pas le doute ?

Comment peut-on exprimer la certitude?

Comment exprime-t-on l' impossibilité?

Répondez comment on peut réagir à la phrase suivante: Malheureusement, le voyage est annulé.

Avec la phrase: C`est peut-être ma mère au téléphone. on exprime:

Avec la phrase: Peut-être qu'il arrivera tôt. on exprime :

Comment exprime-t-on la certitude?

Notre ami nous a dit :Il m'a invité, mais je ne sais pas quoi faire. Qu'est-ce qu'on lui répond ?

Avec la phrase: N'oubliez pas de prendre votre parapluie! on exprime:

Avec la phrase suivante: Moi, à ta place, je partirais demain en vacances. on exprime :

15. Француски (Прв странски јазик) - Општо образование

Прашање

Avec la phrase suivante: J'ai envie d'étudier en France. on exprime:

Comment doit-on compléter la phrase: _____, je prendrais ce pull-ci. pour exprimer un conseil?

Compléter la phrase: _____, il est capable de s'engager dans le projet. pour qu'elle exprime un avis.

Compléter la phrase : J'_____ passer un week-end au Mexique. pour exprimer un souhait.

Avec la phrase suivante: Il faut réfléchir bien à ce problème. on exprime :

Avec la phrase: Je suis sûr que vous accepterez cette proposition. on exprime:

Complétez la phrase: Je _____ que tu aimes ta profession. pour exprimer l'incertitude.

Mettez le verbe correct dans la phrase: Je _____ que tu aies de la chance aujourd'hui. pour exprimer le souhait.

15. Француски (Прв странски јазик) - Општо образование

Прашање

Lisez attentivement le texte suivant et puis répondez en cochant la bonne case.

Merci de me garder Lulu! Je rentre dans quatre jours. Voici quelques recommandations:

- Donnez-lui à manger une seule fois par jour, le soir de préférence (un peu de croquettes ou une boîte de pâté mais pas les deux à la fois). Il y a aussi des sardines à l'huile.

- Donnez lui à boire: moitié lait, moitié eau.

- Nettoyez sa caisse tous les jours (le matin).

- Attention si vous ouvrez la fenêtre : il ne doit pas sortir! Il ne faut pas non plus le laisser partir dans l'escalier.

Vous verrez, il est très gentil! Encore merci.

Nathalie

Le texte est:

15. Француски (Прв странски јазик) - Општо образование

Прашање

Lisez attentivement le texte suivant et puis répondez en cochant la bonne case.

Merci de me garder Lulu! Je rentre dans quatre jours. Voici quelques recommandations:

- Donnez-lui à manger une seule fois par jour, le soir de préférence (un peu de croquettes ou une boîte de pâté mais pas les deux à la fois). Il y a aussi des sardines à l'huile.

- Donnez lui à boire: moitié lait, moitié eau.

- Nettoyez sa caisse tous les jours (le matin).

- Attention si vous ouvrez la fenêtre : il ne doit pas sortir! Il ne faut pas non plus le laisser partir dans l'escalier.

Vous verrez, il est très gentil! Encore merci.

Nathalie

Le chat doit boire:

15. Француски (Прв странски јазик) - Општо образование

Прашање

Lisez attentivement le texte suivant et puis répondez en cochant la bonne case.

Merci de me garder Lulu! Je rentre dans quatre jours. Voici quelques recommandations:

- Donnez-lui à manger une seule fois par jour, le soir de préférence (un peu de croquettes ou une boîte de pâté mais pas les deux à la fois). Il y a aussi des sardines à l'huile.

- Donnez lui à boire: moitié lait, moitié eau.

- Nettoyez sa caisse tous les jours (le matin).

- Attention si vous ouvrez la fenêtre : il ne doit pas sortir! Il ne faut pas non plus le laisser partir dans l'escalier.

Vous verrez, il est très gentil! Encore merci.

Nathalie

Le chat, quand mange-t-il?

15. Француски (Прв странски јазик) - Општо образование

Прашање

Lisez attentivement le texte suivant et puis répondez en cochant la bonne case.

Merci de me garder Lulu! Je rentre dans quatre jours. Voici quelques recommandations:

- Donnez-lui à manger une seule fois par jour, le soir de préférence (un peu de croquettes ou une boîte de pâté mais pas les deux à la fois). Il y a aussi des sardines à l'huile.

- Donnez lui à boire: moitié lait, moitié eau.

- Nettoyez sa caisse tous les jours (le matin).

- Attention si vous ouvrez la fenêtre : il ne doit pas sortir! Il ne faut pas non plus le laisser partir dans l'escalier.

Vous verrez, il est très gentil! Encore merci.

Nathalie

**À
quoi doit-on faire attention?**

15. Француски (Прв странски јазик) - Општо образование

Прашање

Lisez le texte et puis cochez la bonne réponse.

LE GROUPE GLOBE -AIDE .COM

A l'honneur de vous inviter à la réunion de direction
Le 23 avril à 16 heures
53, rue de la Liberté
75007 Paris

Une voiture attendra à l'aéroport Charles de Gaulle nos invités de l'étranger.
Pour tout renseignement sur la réunion du 23 avril,
Vous pouvez contacter Laurence au + 33 1 45 15 25.

La note est:

15. Француски (Прв странски јазик) - Општо образование

Прашање

Lisez le texte et puis cochez la bonne réponse.

LE GROUPE GLOBE -AIDE .COM

A l'honneur de vous inviter à la réunion de direction
Le 23 avril à 16 heures
53, rue de la Liberté
75007 Paris

Une voiture attendra à l'aéroport Charles de Gaulle nos invités de l'étranger.
Pour tout renseignement sur la réunion du 23 avril,
Vous pouvez contacter Laurence au + 33 1 45 15 25.

En quelle saison aura lieu la réunion?

15. Француски (Прв странски јазик) - Општо образование

Прашање

Lisez le texte et puis cochez la bonne réponse.

LE GROUPE GLOBE -AIDE .COM

A l'honneur de vous inviter à la réunion de direction
Le 23 avril à 16 heures
53, rue de la Liberté
75007 Paris

Une voiture attendra à l'aéroport Charles de Gaulle nos invités de l'étranger.
Pour tout renseignement sur la réunion du 23 avril,
Vous pouvez contacter Laurence au + 33 1 45 15 25.

Qui sera accompagné en voiture?

15. Француски (Прв странски јазик) - Општо образование

Прашање

Lisez le texte et puis cochez la bonne réponse.

LE GROUPE GLOBE -AIDE .COM

A l'honneur de vous inviter à la réunion de direction
Le 23 avril à 16 heures
53, rue de la Liberté
75007 Paris

Une voiture attendra à l'aéroport Charles de Gaulle nos invités de l'étranger.
Pour tout renseignement sur la réunion du 23 avril,
Vous pouvez contacter Laurence au + 33 1 45 15 25.

A qui peut-on demander des informations?

15. Француски (Прв странски јазик) - Општо образование

Прашање

Lisez le texte et puis cochez la bonne réponse.

LE GROUPE GLOBE -AIDE .COM

A l'honneur de vous inviter à la réunion de direction
Le 23 avril à 16 heures
53, rue de la Liberté
75007 Paris

Une voiture attendra à l'aéroport Charles de Gaulle nos invités de l'étranger.
Pour tout renseignement sur la réunion du 23 avril,
Vous pouvez contacter Laurence au + 33 1 45 15 25.

Comment peut-on avoir les informations nécessaires?

15. Француски (Прв странски јазик) - Општо образование

Прашање

Lisez le texte et répondez aux questions en cochant la bonne case.

Le 8 avril 2014

Chère Edith!

Quand tu rentreras, demain, de vacances, je serai en Afrique. Je vais faire une série de reportages au Cameroun, en Côte d'Ivoire et au Niger. C'est une décision de Claire. Je crois qu'elle est jalouse de mon succès. Je serai à Yaoundé jusqu'au 15, puis j'irai à Abidjan et de retour, je m'arrêterai quelques jours à Niamey. Je rentrerai vers le 3 du mois prochain.

J'emmène Pierre comme cameraman et Christiane comme assistante. (Dommage! Tu es en vacances.)

Amuse-toi bien seule dans notre bureau!

Amicalement,

Ta Patrice

Il s'agit:

15. Француски (Прв странски јазик) - Општо образование

Прашање

Lisez le texte et répondez aux questions en cochant la bonne case.

Le 8 avril 2014

Chère Edith!

Quand tu rentreras, demain, de vacances, je serai en Afrique. Je vais faire une série de reportages au Cameroun, en Côte d'Ivoire et au Niger. C'est une décision de Claire. Je crois qu'elle est jalouse de mon succès. Je serai à Yaoundé jusqu'au 15, puis j'irai à Abidjan et de retour, je m'arrêterai quelques jours à Niamey. Je rentrerai vers le 3 du mois prochain.

J'emmène Pierre comme cameraman et Christiane comme assistante. (Dommage! Tu es en vacances.)

Amuse-toi bien seule dans notre bureau!

Amicalement,

Ta Patrice

Qui part en Afrique?

15. Француски (Прв странски јазик) - Општо образование

Прашање

Lisez le texte et répondez aux questions en cochant la bonne case.

Le 8 avril 2014

Chère Edith!

Quand tu rentreras, demain, de vacances, je serai en Afrique. Je vais faire une série de reportages au Cameroun, en Côte d'Ivoire et au Niger. C'est une décision de Claire. Je crois qu'elle est jalouse de mon succès. Je serai à Yaoundé jusqu'au 15, puis j'irai à Abidjan et de retour, je m'arrêterai quelques jours à Niamey. Je rentrerai vers le 3 du mois prochain.

J'emmène Pierre comme cameraman et Christiane comme assistante. (Dommage! Tu es en vacances.)

Amuse-toi bien seule dans notre bureau!

Amicalement,

Ta Patrice

Qui est en vacances?

15. Француски (Прв странски јазик) - Општо образование

Прашање

Lisez le texte et répondez aux questions en cochant la bonne case.

Le 8 avril 2014

Chère Edith!

Quand tu rentreras, demain, de vacances, je serai en Afrique. Je vais faire une série de reportages au Cameroun, en Côte d'Ivoire et au Niger. C'est une décision de Claire. Je crois qu'elle est jalouse de mon succès. Je serai à Yaoundé jusqu'au 15, puis j'irai à Abidjan et de retour, je m'arrêterai quelques jours à Niamey. Je rentrerai vers le 3 du mois prochain.

J'emmène Pierre comme cameraman et Christiane comme assistante. (Dommage! Tu es en vacances.)

Amuse-toi bien seule dans notre bureau!

Amicalement,

Ta Patrice

Qui est jaloux?

15. Француски (Прв странски јазик) - Општо образование

Прашање

Lisez le texte et répondez aux questions en cochant la bonne case.

Le 8 avril 2014

Chère Edith!

Quand tu rentreras, demain, de vacances, je serai en Afrique. Je vais faire une série de reportages au Cameroun, en Côte d'Ivoire et au Niger. C'est une décision de Claire. Je crois qu'elle est jalouse de mon succès. Je serai à Yaoundé jusqu'au 15, puis j'irai à Abidjan et de retour, je m'arrêterai quelques jours à Niamey. Je rentrerai vers le 3 du mois prochain.

J'emmène Pierre comme cameraman et Christiane comme assistante. (Dommage! Tu es en vacances.)

Amuse-toi bien seule dans notre bureau!

Amicalement,

Ta Patrice

Edith, quand revient-elle?

15. Француски (Прв странски јазик) - Општо образование

Прашање

Lisez le texte et répondez aux questions en cochant la bonne case.

Le 8 avril 2014

Chère Edith!

Quand tu rentreras, demain, de vacances, je serai en Afrique. Je vais faire une série de reportages au Cameroun, en Côte d'Ivoire et au Niger. C'est une décision de Claire. Je crois qu'elle est jalouse de mon succès. Je serai à Yaoundé jusqu'au 15, puis j'irai à Abidjan et de retour, je m'arrêterai quelques jours à Niamey. Je rentrerai vers le 3 du mois prochain.

J'emmène Pierre comme cameraman et Christiane comme assistante. (Dommage! Tu es en vacances.)

Amuse-toi bien seule dans notre bureau!

Amicalement,

Ta Patrice

Patrice part en Afrique pour:

15. Француски (Прв странски јазик) - Општо образование

Прашање

Lisez le texte et répondez aux questions en cochant la bonne case.

Le 8 avril 2014

Chère Edith!

Quand tu rentreras, demain, de vacances, je serai en Afrique. Je vais faire une série de reportages au Cameroun, en Côte d'Ivoire et au Niger. C'est une décision de Claire. Je crois qu'elle est jalouse de mon succès. Je serai à Yaoundé jusqu'au 15, puis j'irai à Abidjan et de retour, je m'arrêterai quelques jours à Niamey. Je rentrerai vers le 3 du mois prochain.

J'emmène Pierre comme cameraman et Christiane comme assistante. (Dommage! Tu es en vacances.)

Amuse-toi bien seule dans notre bureau!

Amicalement,

Ta Patrice

Qui a décidé qu'il faut partir?

15. Француски (Прв странски јазик) - Општо образование

Прашање

Lisez le texte et répondez aux questions en cochant la bonne case.

Le 8 avril 2014

Chère Edith!

Quand tu rentreras, demain, de vacances, je serai en Afrique. Je vais faire une série de reportages au Cameroun, en Côte d'Ivoire et au Niger. C'est une décision de Claire. Je crois qu'elle est jalouse de mon succès. Je serai à Yaoundé jusqu'au 15, puis j'irai à Abidjan et de retour, je m'arrêterai quelques jours à Niamey. Je rentrerai vers le 3 du mois prochain.

J'emmène Pierre comme cameraman et Christiane comme assistante. (Dommage! Tu es en vacances.)

Amuse-toi bien seule dans notre bureau!

Amicalement,

Ta Patrice

Quelles sont les relations entre Patrice et Edith?

15. Француски (Прв странски јазик) - Општо образование

Прашање

Lisez le texte et répondez aux questions en cochant la bonne case.

Le 8 avril 2014

Chère Edith!

Quand tu rentreras, demain, de vacances, je serai en Afrique. Je vais faire une série de reportages au Cameroun, en Côte d'Ivoire et au Niger. C'est une décision de Claire. Je crois qu'elle est jalouse de mon succès. Je serai à Yaoundé jusqu'au 15, puis j'irai à Abidjan et de retour, je m'arrêterai quelques jours à Niamey. Je rentrerai vers le 3 du mois prochain.

J'emmène Pierre comme cameraman et Christiane comme assistante. (Dommage! Tu es en vacances.)

Amuse-toi bien seule dans notre bureau!

Amicalement,

Ta Patrice

Complétez la phrase: Si Edith n'était pas en vacances elle pourrait_____.

15. Француски (Прв странски јазик) - Општо образование

Прашање

Lisez le texte suivant et puis répondez en cochant la réponse correcte.

L E B O N P L A T
17, place Ch.de Gaulle -33000 Bordeaux
Cherche un(e) serveur/serveuse
Minimum 23 ans,
deux années d'expérience
dans la restauration.
Anglais indispensable.
Contactez M. Benoit-05 56 10 51 47

De quel type de document s'agit-il?

15. Француски (Прв странски јазик) - Општо образование

Прашање

Lisez le texte suivant et puis répondez en cochant la réponse correcte.

L E B O N P L A T
17, place Ch.de Gaulle -33000 Bordeaux
Cherche un(e) serveur/serveuse
Minimum 23 ans,
deux années d'expérience
dans la restauration.
Anglais indispensable.
Contactez M. Benoit-05 56 10 51 47

Qu'est-ce que "Le bon plat"?

15. Француски (Прв странски јазик) - Општо образование

Прашање

Lisez le texte suivant et puis répondez en cochant la réponse correcte.

L E B O N P L A T
17, place Ch.de Gaulle -33000 Bordeaux
Cherche un(e) serveur/serveuse
Minimum 23 ans,
deux années d'expérience
dans la restauration.
Anglais indispensable.
Contactez M. Benoit-05 56 10 51 47

**Quel âge doit avoir le serveur
/la serveuse?**

15. Француски (Прв странски јазик) - Општо образование

Прашање

Lisez le texte suivant et puis répondez en cochant la réponse correcte.

L E B O N P L A T
17, place Ch.de Gaulle -33000 Bordeaux
Cherche un(e) serveur/serveuse
Minimum 23 ans,
deux années d'expérience
dans la restauration.
Anglais indispensable.
Contactez M. Benoit-05 56 10 51 47

Le/La candidat/e pour le poste de serveur/serveuse devait travailler dans le secteur:

15. Француски (Прв странски јазик) - Општо образование

Прашање

Lisez le texte suivant et puis répondez en cochant la réponse correcte.

L E B O N P L A T
17, place Ch.de Gaulle -33000 Bordeaux
Cherche un(e) serveur/serveuse
Minimum 23 ans,
deux années d'expérience
dans la restauration.
Anglais indispensable.
Contactez M. Benoit-05 56 10 51 47

"Anglais indispensable " veut dire qu'on cherche un(e) serveur/serveuse qui:

15. Француски (Прв странски јазик) - Општо образование

Прашање

Lisez le texte suivant et puis répondez en cochant la réponse correcte.

L E B O N P L A T
17, place Ch.de Gaulle -33000 Bordeaux
Cherche un(e) serveur/serveuse
Minimum 23 ans,
deux années d'expérience
dans la restauration.
Anglais indispensable.
Contactez M. Benoit-05 56 10 51 47

Il faut contacter M.Benoit par:

Lisez le texte suivant et puis répondez en cochant la réponse correcte.

Les mers sont malades. Nous devons les sauver. Il ne faut pas jeter des déchets dans la mer, mais dans une poubelle! Ne mettons pas en danger notre futur!

Dans le texte on parle:

15. Француски (Прв странски јазик) - Општо образование

Прашање

Lisez le texte suivant et puis répondez en cochant la réponse correcte.

Les mers sont malades. Nous devons les sauver. Il ne faut pas jeter des déchets dans la mer, mais dans une poubelle! Ne mettons pas en danger notre futur!

Quel est le message du texte?

Lisez le texte suivant et puis répondez en cochant la réponse correcte.

Les mers sont malades. Nous devons les sauver. Il ne faut pas jeter des déchets dans la mer, mais dans une poubelle! Ne mettons pas en danger notre futur!

L'expression « Les mers sont malades » signifie que:

15. Француски (Прв странски јазик) - Општо образование

Прашање

Lisez le texte suivant et puis répondez en cochant la réponse correcte.

Allô! Bonjour, je voudrais réserver une table pour dix personnes, jeudi 21 heures.

Dans le texte il s'agit:

Lisez le texte suivant et puis répondez en cochant la réponse correcte.

-Allô! Bonjour, je voudrais réserver une table pour ce soir.
-Vous serez combien?
-Dix.

L'un des interlocuteurs se trouve dans:

15. Француски (Прв странски јазик) - Општо образование

Прашање

Lisez le texte suivant et puis répondez en cochant la réponse correcte.

- Allô! Bonjour, je voudrais réserver une table pour ce soir.
- Vous serez combien?
- Dix.

Combien d'interlocuteurs participent dans la conversation?

Lisez le texte suivant et puis répondez en cochant la réponse correcte.

Tous les voyageurs sont invités à descendre du train. Attention aux bagages.

Il s'agit d'une:

15. Француски (Прв странски јазик) - Општо образование

Прашање

Lisez le texte suivant et puis répondez en cochant la réponse correcte.

Tous les voyageurs sont invités à descendre du train. Attention aux bagages.

Où peut-on entendre cet énoncé?

Lisez le texte suivant et puis répondez en cochant la réponse correcte.

Tous les voyageurs sont invités à descendre du train. Attention aux bagages.

Les voyageurs, à quoi doivent-ils faire attention?

15. Француски (Прв странски јазик) - Општо образование

Прашање

Lisez le texte suivant et puis répondez en cochant la réponse correcte.

Tous les voyageurs sont invités à descendre du train. Attention aux bagages.

Les voyageurs se trouvent:

Lisez le texte suivant et puis répondez en cochant la réponse correcte.

Madame, Monsieur,
Votre fils Léo arrive tous les jours en retard à l'école. Je vous propose un rendez-vous mardi prochain à 17 heures. Vous pouvez me contacter au 04 45 77 09 42.
Merci,
Madame Bertrand

Qui a écrit ce message?

15. Француски (Прв странски јазик) - Општо образование

Прашање

Lisez le texte suivant et puis répondez en cochant la réponse correcte.

Madame, Monsieur,
Votre fils Léo arrive tous les jours en retard à l'école. Je vous propose un rendez-vous mardi prochain à 17 heures. Vous pouvez me contacter au 04 45 77 09 42.
Merci,
Madame Bertrand

Comment peut-on contacter Mme Bertrand?